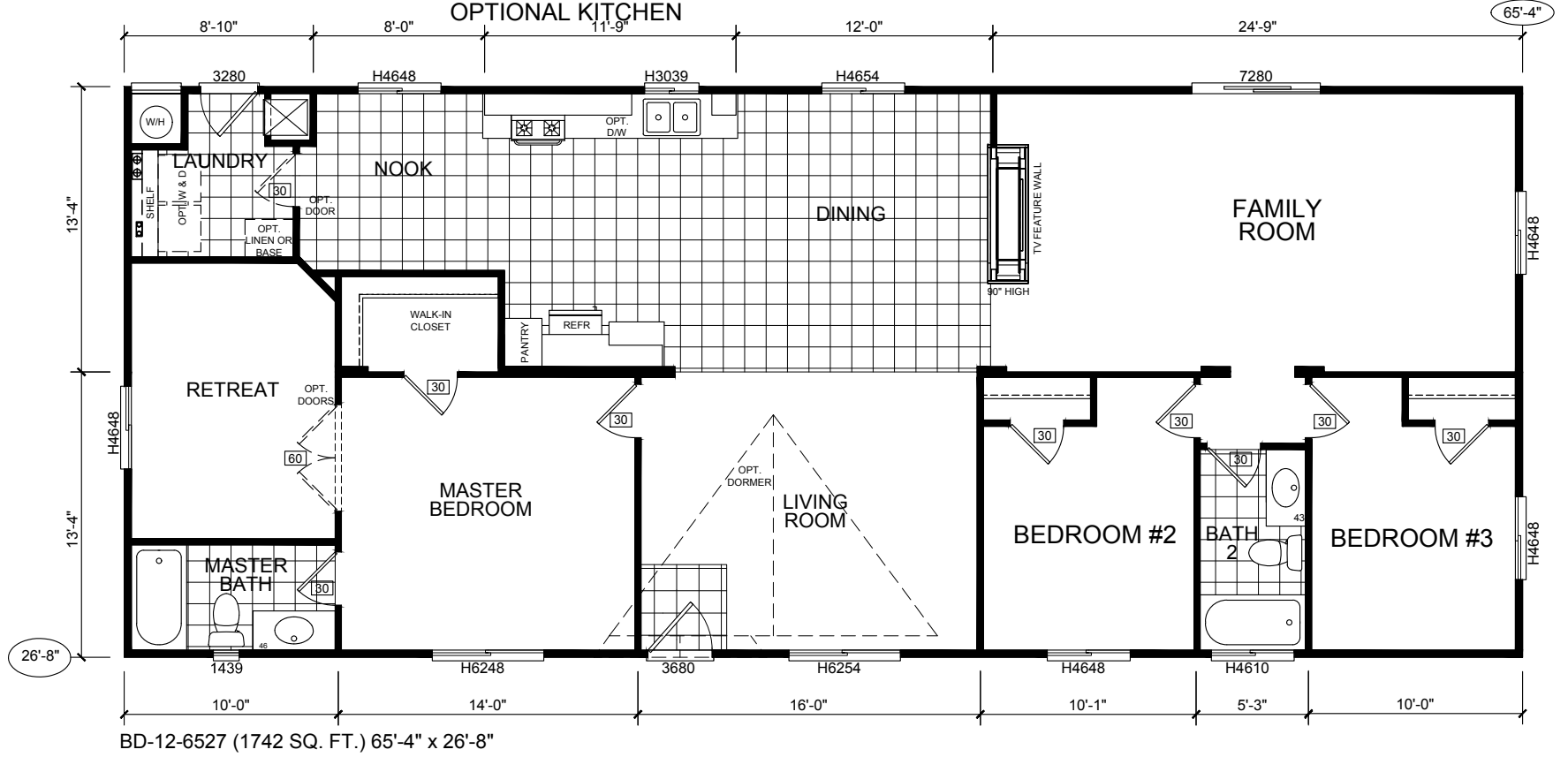


SEE SHEET LT-102 FOR  
OPTIONAL MASTER BATHS  
AND BEDROOM #4



BD-12-6527 (1742 SQ. FT.) 65'-4" x 26'-8"

**Silvercrest** CHAMPION  
MANUFACTURED BEAUTIFULLY™  
299 N. Smith Ave., Corona CA 92880

PROPRIETARY AND CONFIDENTIAL  
THESE DRAWINGS AND SPECIFICATIONS ARE ORIGINAL.  
PROPRIETARY AND CONFIDENTIAL MATERIALS OF  
CHAMPION HOME BUILDERS INC.  
COPYRIGHT © 1976-2016 BY CHAMPION

APPROVER'S SEAL

MODIFICATIONS

1-SEE REV LOG FOR CHANGES	BMS 3-4-11
2-SEE REV LOG	BMS 3-22-12
4-SEE REV LOG	TITO 12-13-12
8-SEE REV LOG	AMG 06-18-15

MODEL: **BD-12-6527**  
65-4/27-3BR

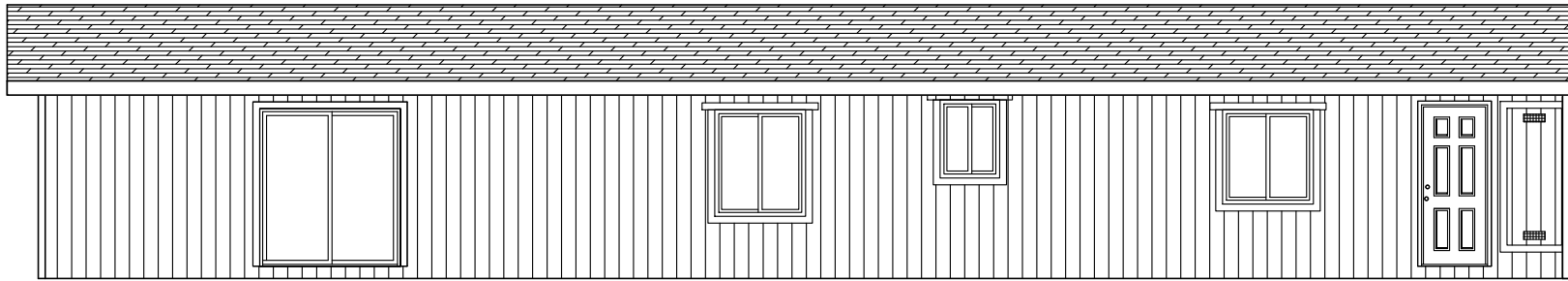
TITLE: **LITERATURE PLAN**

DATE: 4/11/11	SCALE: 1/8" = 1'-0"	FILENAME:
DRAWN BY: TITO	CHECKED BY:	BD-12-6527-LT101

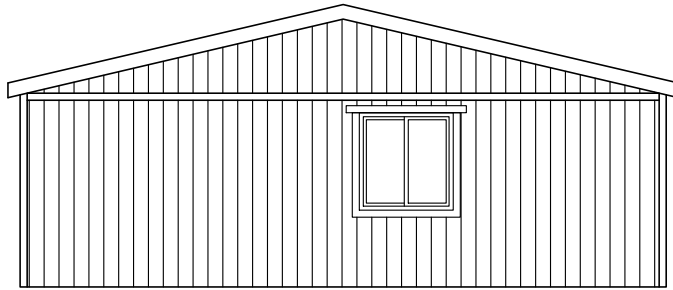
SHEET NO.:  
**LT-101**

PAGE:  
**1 OF 2**

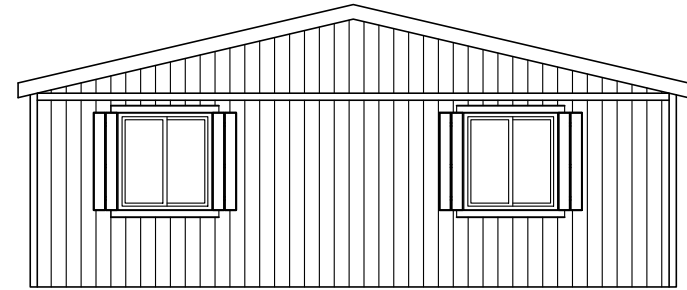




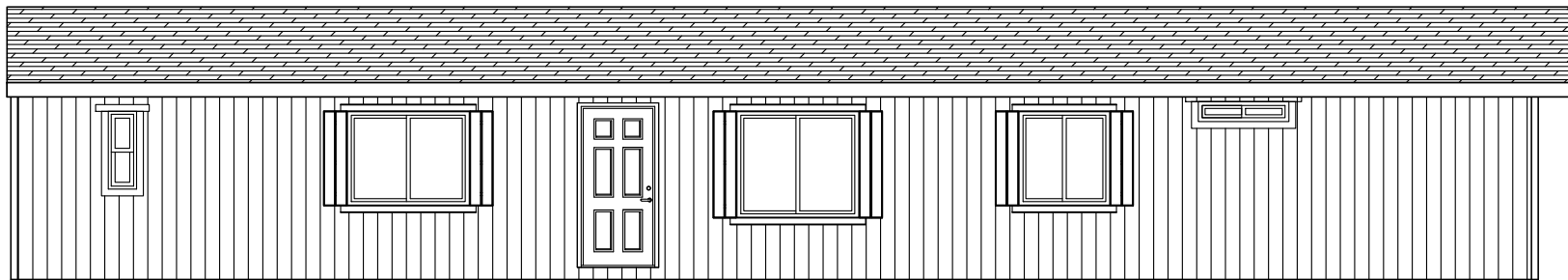
RIGHT



REAR



FRONT



LEFT

**Silvercrest** CHAMPION  
 MANUFACTURED BEAUTIFULLY™  
 299 N. Smith Ave., Corona CA 92880

PROPRIETARY AND CONFIDENTIAL  
 THESE DRAWINGS AND SPECIFICATIONS ARE ORIGINAL.  
 PROPRIETARY AND CONFIDENTIAL MATERIALS OF  
 CHAMPION HOME BUILDERS INC.  
 COPYRIGHT © 1976-2016 BY CHAMPION

APPROVER'S SEAL

MODIFICATIONS

4-SEE REV LOG	TITO 12-13-12
6-SEE REV LOG	BMS 6-25-14

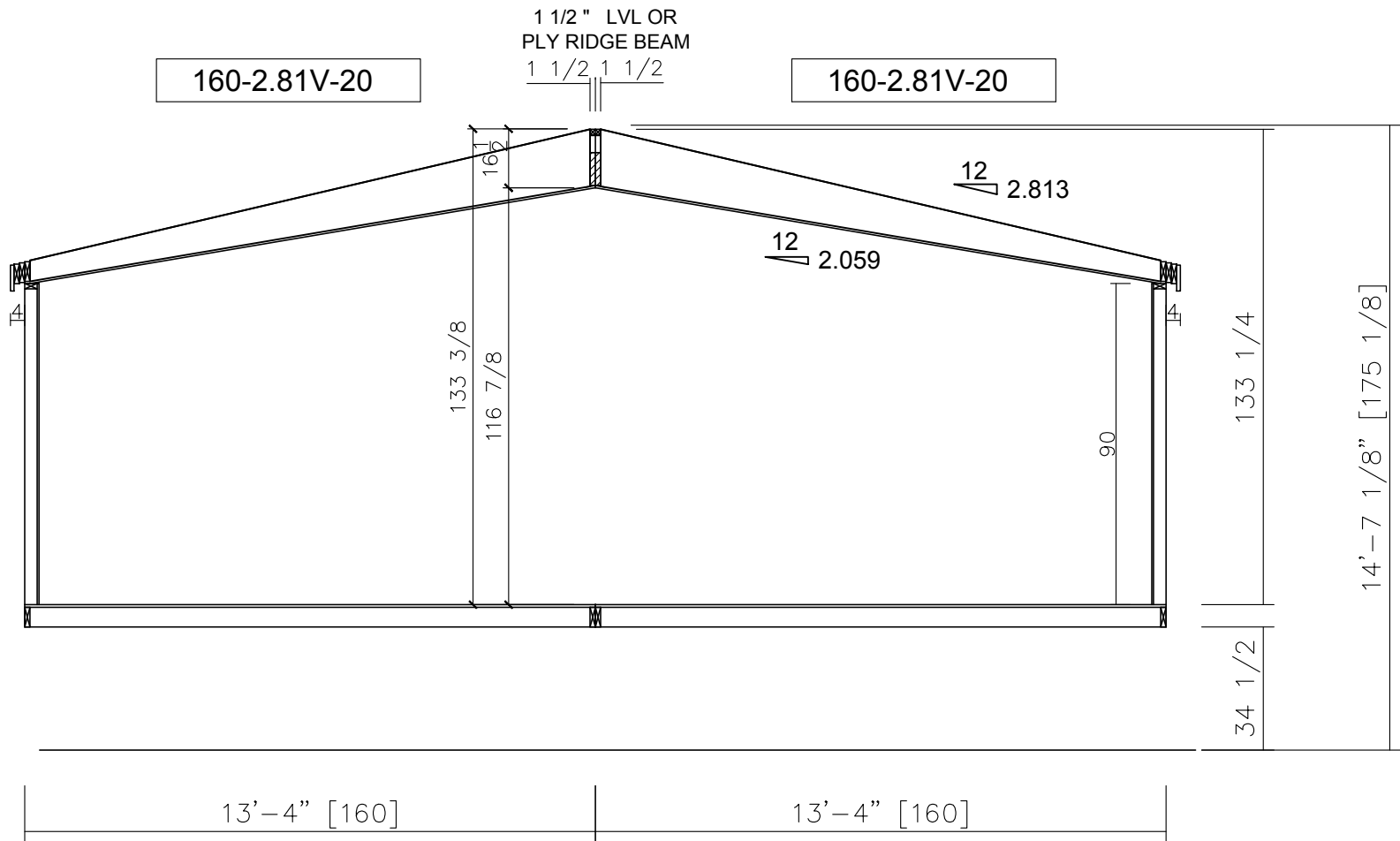
MODEL: **BD-12-6527**  
 65-4/27-3BR

TITLE: **ELEVATIONS**

DATE: 03-22-12	SCALE: 1/8"=1'-0"	FILENAME:
DRAWN BY: BMS	CHECKED BY:	BD-12-6527-LT101

SHEET NO.:  
**AE-101**

PAGE:  
 1 OF 1



**Silvercrest** CHAMPION  
 MANUFACTURED BEAUTIFULLY™  
 299 N. Smith Ave., Corona CA 92880

PROPRIETARY AND CONFIDENTIAL  
 THESE DRAWINGS AND SPECIFICATIONS ARE ORIGINAL.  
 PROPRIETARY AND CONFIDENTIAL MATERIALS OF  
 CHAMPION HOME BUILDERS INC.  
 COPYRIGHT © 1976-2016 BY CHAMPION

APPROVER'S SEAL

MODIFICATIONS

2-ADD EAVES SEE REV. LOG	TITO 4/12/11
7-SEE REV LOG	DJM 9-29-14

MODEL: **BD-12-6527**  
 65-4/27-3BR

TITLE: **CROSS SECTION**

DATE: 4/12/11	SCALE: 1/4"=1'-0"	FILENAME:
DRAWN BY: TITO	CHECKED BY:	BD-12-6527-LT101

SHEET NO.: **AS-101**

PAGE: **1 OF 1**