

WC-08 (1604 SQ. FT.) 60'-0"/62'-8" x 26'-8"

*WINDOW SIZES SUBJECT TO CHANGE-8/3/15

Silvercrest CHAMPION
 MANUFACTURED BEAUTIFULLY™
 299 N. Smith Ave., Corona CA 92880

PROPRIETARY AND CONFIDENTIAL
 THESE DRAWINGS AND SPECIFICATIONS ARE ORIGINAL,
 PROPRIETARY AND CONFIDENTIAL MATERIALS OF
 CHAMPION HOME BUILDERS INC.
 COPYRIGHT © 1976-2015 BY CHAMPION

APPROVER'S SEAL

MODIFICATIONS
 2-SEE REV LOG DJM 1-29-15

MODEL: **WC-8**
 60'-0"/62'-8"/26'-8-3BR

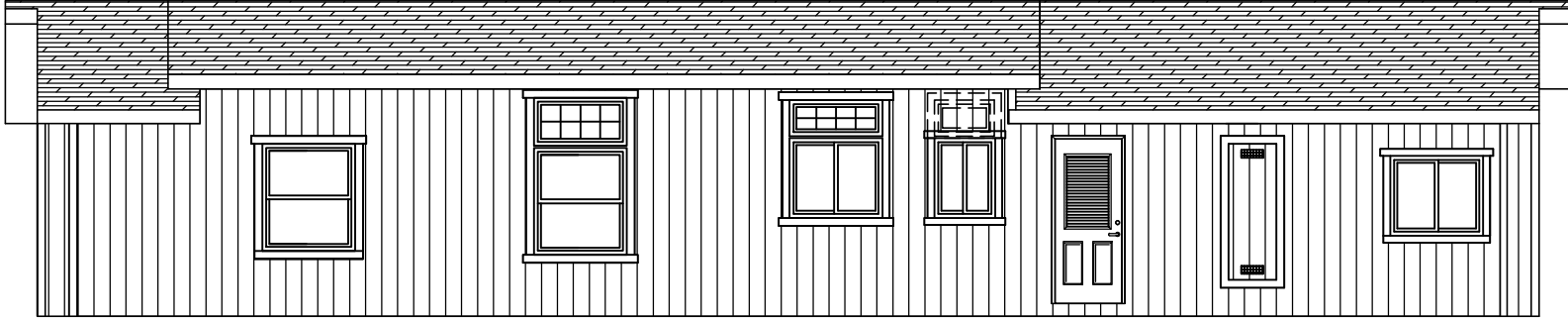
TITLE: **LITERATURE PLAN**

DATE: 01-15-15 SCALE: 1/8" = 1'-0" FILENAME: WC08-LT101

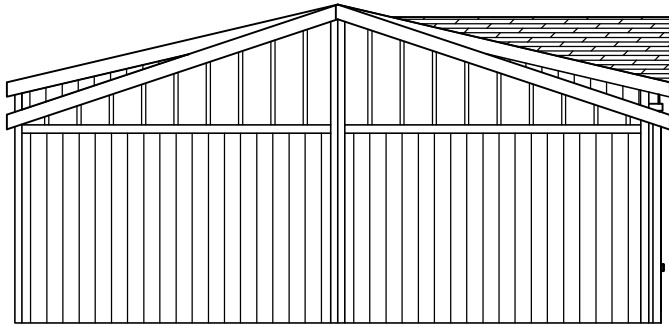
DRAWN BY: dmontag CHECKED BY:

SHEET NO.: **LT-101**

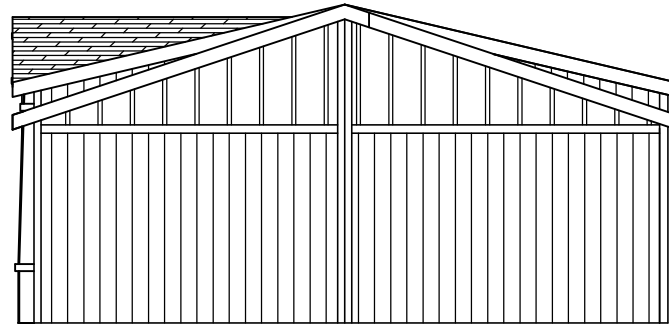
PAGE: **1 OF 1**



RIGHT



REAR



FRONT



LEFT

Silvercrest CHAMPION
MANUFACTURED BEAUTIFULLY™

299 N. Smith Ave., Corona CA 92880

PROPRIETARY AND CONFIDENTIAL
THESE DRAWINGS AND SPECIFICATIONS ARE ORIGINAL.
PROPRIETARY AND CONFIDENTIAL MATERIALS OF
CHAMPION HOME BUILDERS INC.
COPYRIGHT © 1976-2015 BY CHAMPION

APPROVER'S SEAL

MODIFICATIONS

2-SEE REV LOG

DJM 1-29-15

MODEL:

WC-8

60'-0"X62'-8"X26'-8-3BR

TITLE:

ELEVATIONS

DATE: 01-15-15

SCALE: 1/8" = 1'-0"

FILENAME:

WC08-LT101

DRAWN BY: dmontag

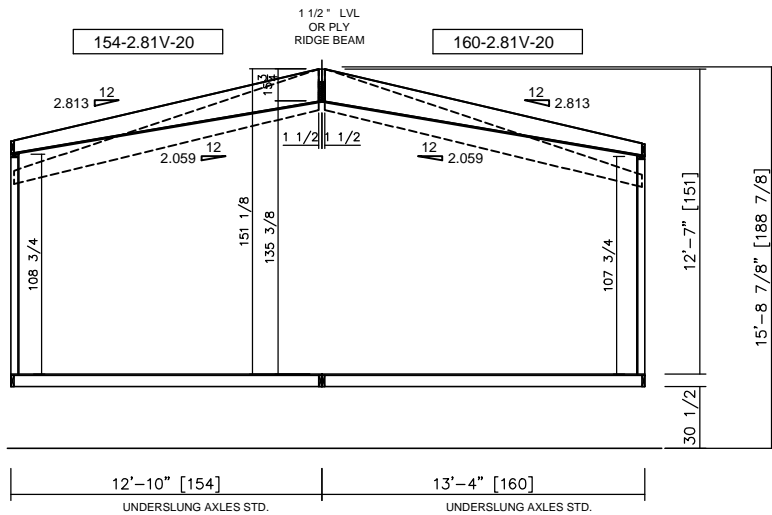
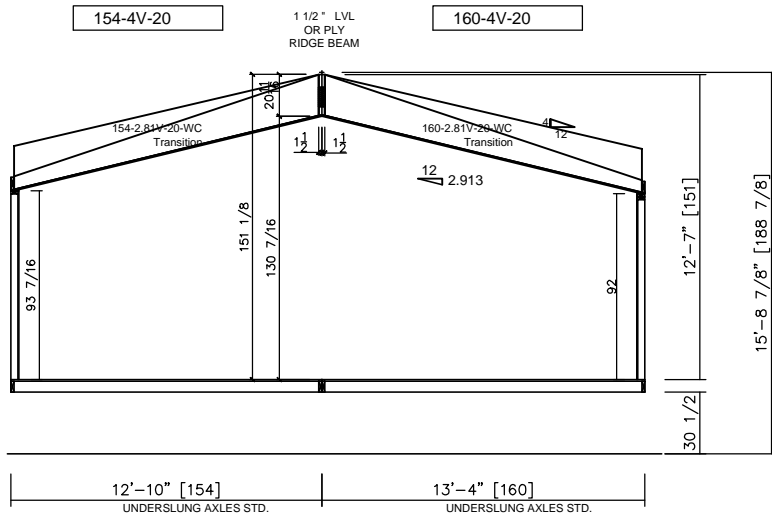
CHECKED BY:

SHEET NO.:

AE-101

PAGE:

1 OF 1



Silvercrest CHAMPION
 MANUFACTURED BEAUTIFULLY™

299 N. Smith Ave., Corona CA 92880

PROPRIETARY AND CONFIDENTIAL
 THESE DRAWINGS AND SPECIFICATIONS ARE ORIGINAL,
 PROPRIETARY AND CONFIDENTIAL MATERIALS OF
 CHAMPION HOME BUILDERS INC.
 COPYRIGHT © 1976-2015 BY CHAMPION

APPROVER'S SEAL

MODIFICATIONS

MODEL:

WC-8

60'-0" / 62'-8" / 26-8-3BR

TITLE:

CROSS SECTION

SHEET NO.:

AS-101

DATE: 01-15-15

SCALE: 3/16" = 1'-0"

FILENAME:

PAGE:

DRAWN BY: dmontag

CHECKED BY:

WC08-LT101

1 OF 1