



**FIREPLACE SURROUNDS
CATALOG**

713.695.2001

Fax: 713.692.6803

www.arkconcrete.com

**713 Lehman St
Houston, Texas 77018**

GHBA member since 1998



Jan. 2013

Cast Stone Fireplace Surrounds Index

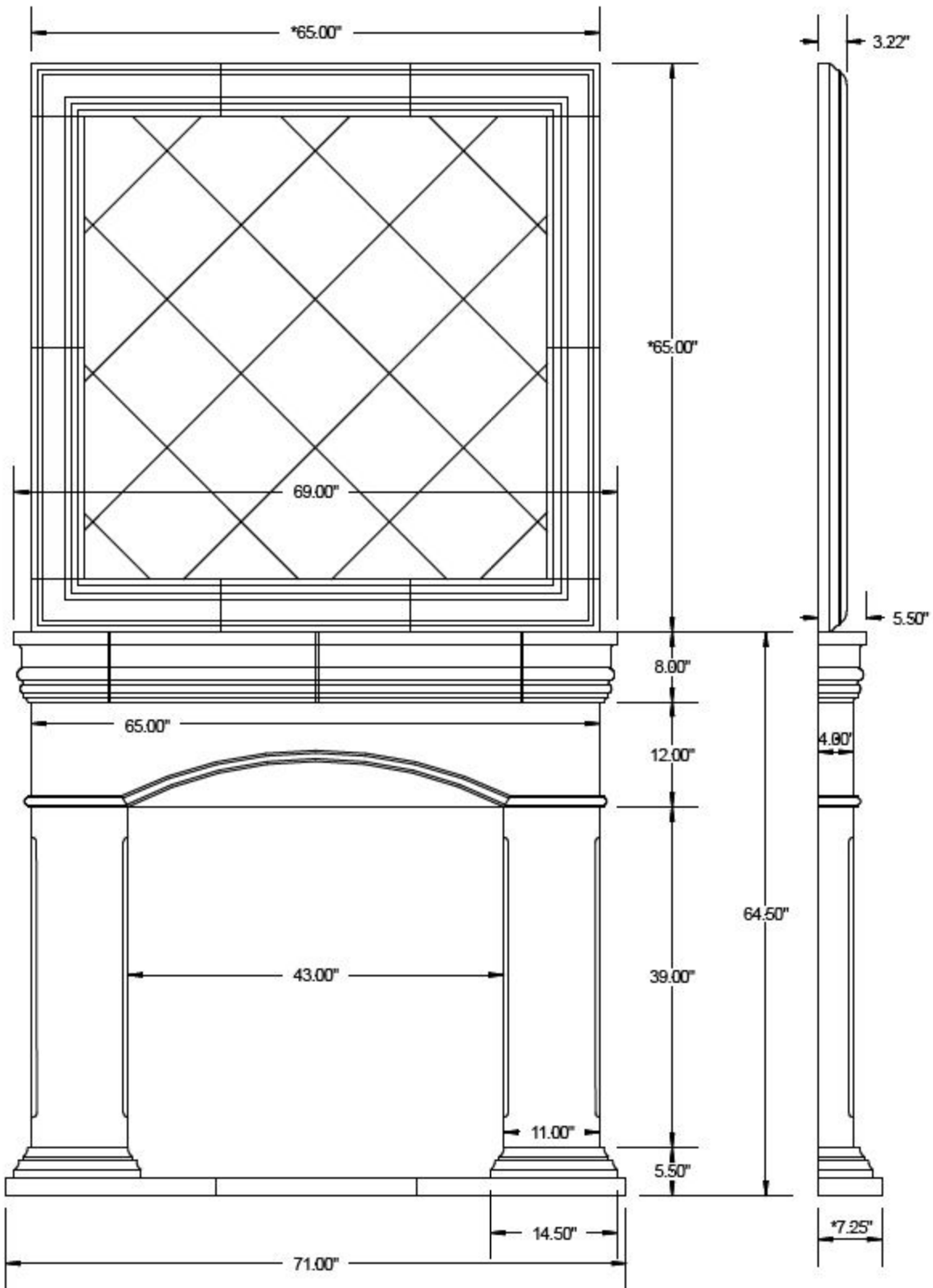
<u>Product</u>	<u>Pg</u>	<u>Product</u>	<u>Pg</u>
FP-1	1	FP-18	33
FP-2	3	FP-19	34
FP-3	5	FP-20	36
FP-4	7	FP-21	37
FP-5	10	FP-22	38
FP-6	12	FP-23	40
FP-7	14	FP-24	42
FP-8	16	FP-25	44
FP-9	18	FP-26	46
FP-10	21	FP-27	48
FP-11	22	FP-28	50
FP-12	23	FP-29	52
FP-13	24	FP-30	53
FP-14	26	FP-31	54
FP-15	27	Over Mantels	56
FP-16	29	Firebox Dimensions Worksheet	57
FP-17	31	Options Worksheet	58

Note:

Custom fireplace surrounds available.

Call our office for questions 713-695-2001.

CAST STONE FIREPLACES



FP - 1

* Adjustable

Cladding can be added to surround the firebox

The Ark Cast Stone 713-695-2001

Jan 2013



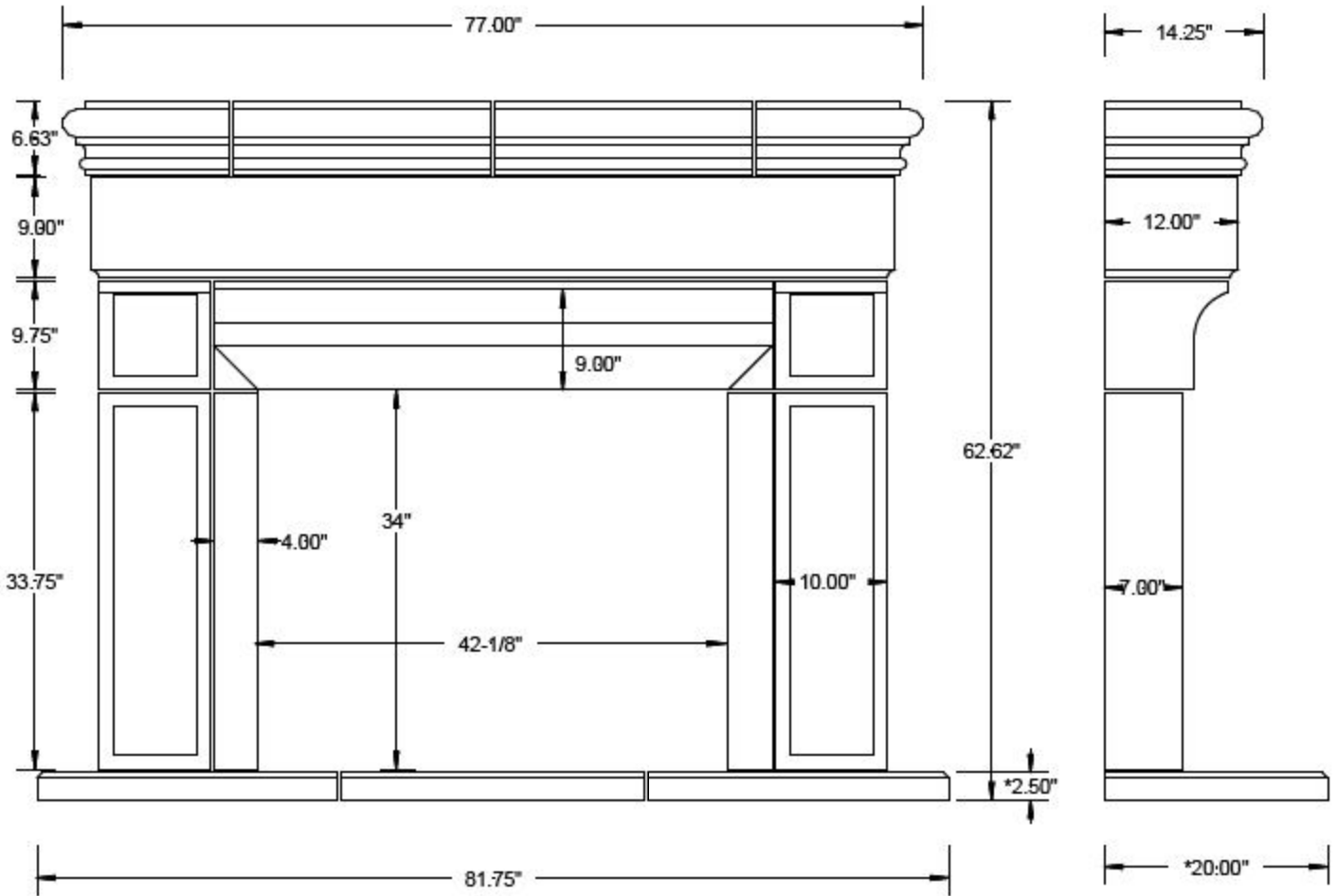
FP - 1

The Ark Cast Stone 713-695-2001

Jan 2013

- 2 -

CAST STONE FIREPLACES



* Adjustable

FP-2

Cladding can be added to surround the firebox

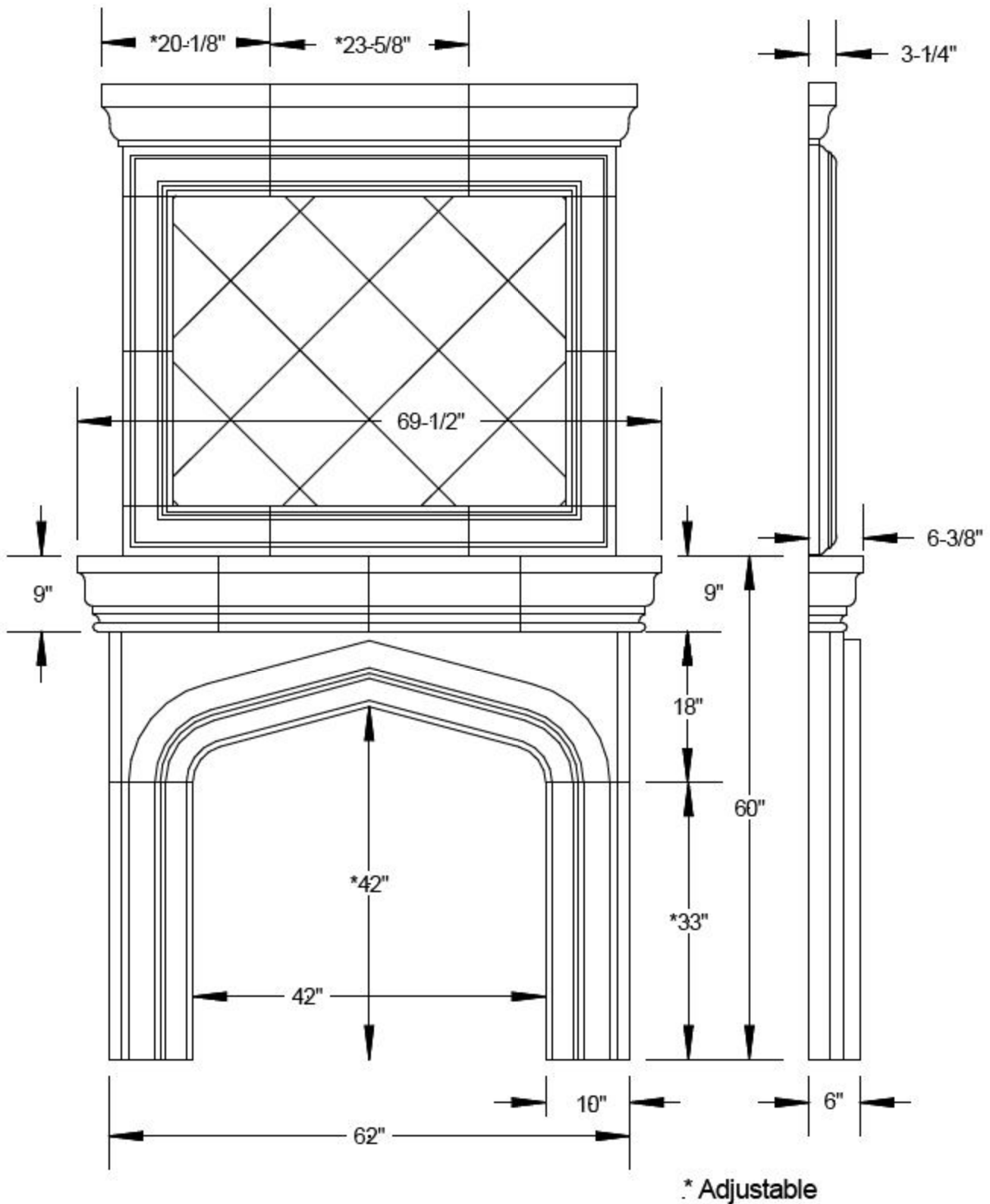
The Ark Cast Stone 713-695-2001

Jan 2013



FP-2

CAST STONE FIREPLACES



FP - 3

Cladding can be added to surround the firebox

The Ark Cast Stone 713-695-2001

Jan 2013



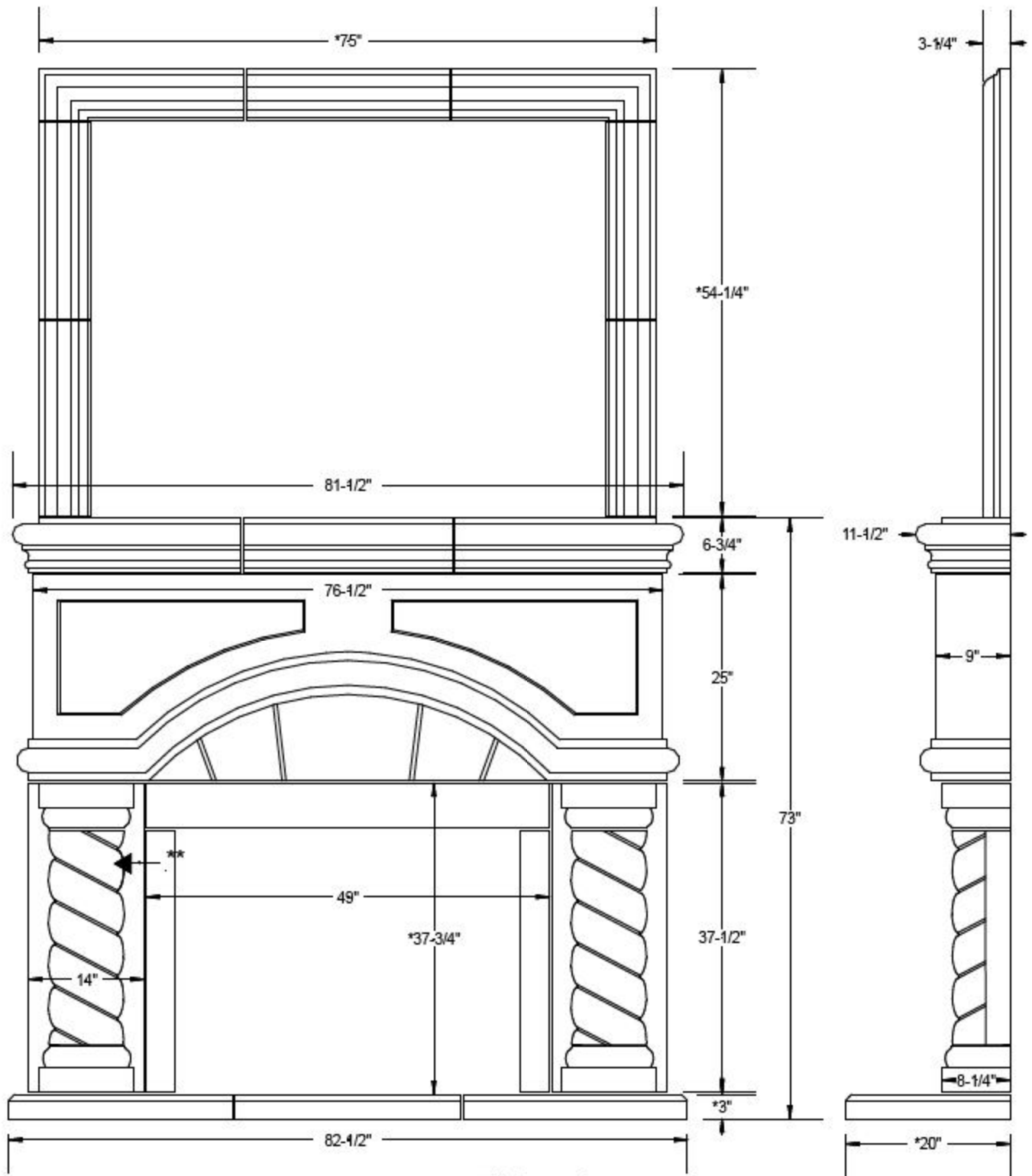
FP-3

Note: Overmantel optional

The Ark Cast Stone 713-695-2001

Jan 2013

CAST STONE FIREPLACES



FP - 4

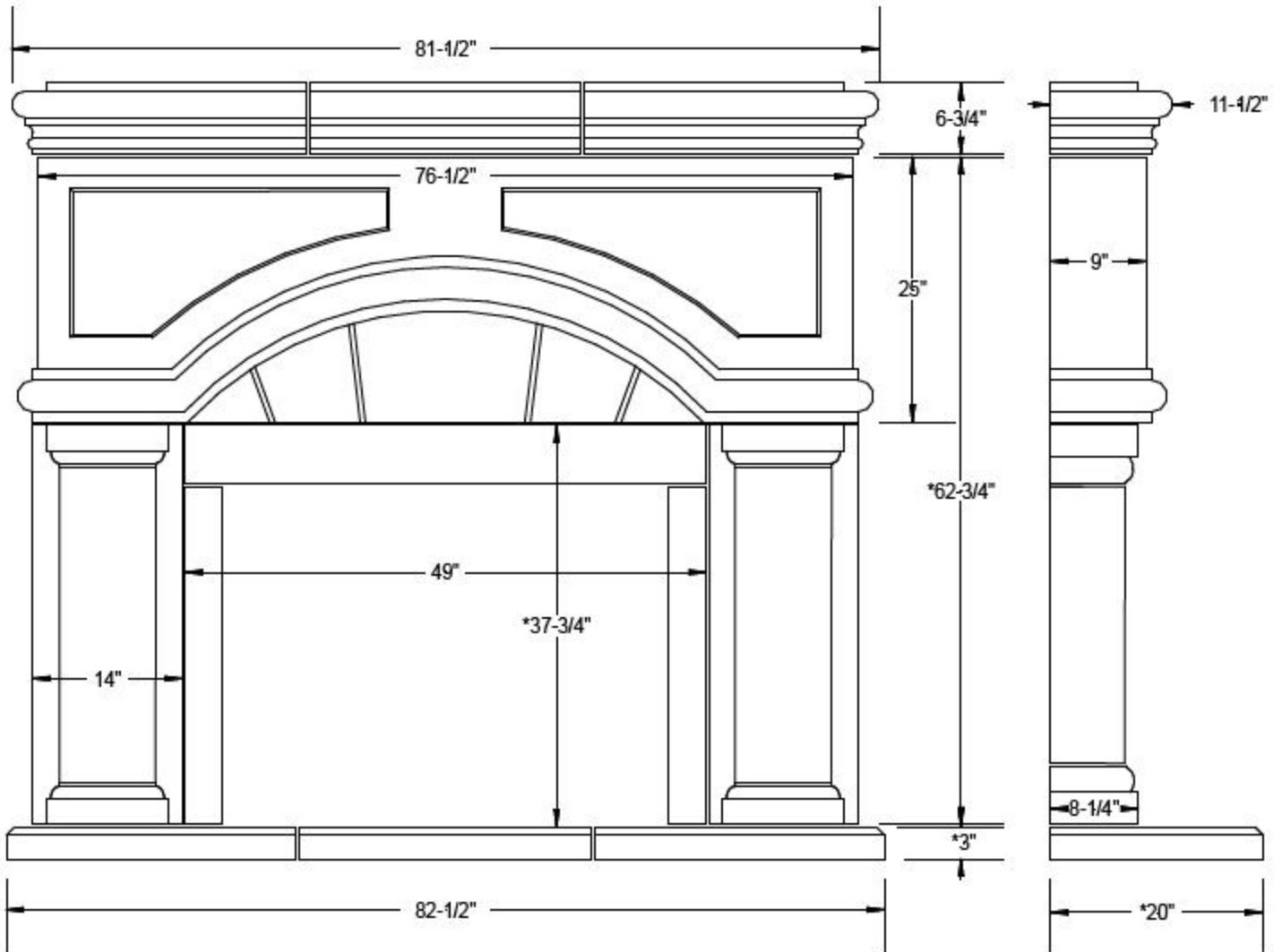
**Option: straight or tapered columns

* Adjustable

The Ark Cast Stone 713-695-2001

Jan 2013

CAST STONE FIREPLACES



* Adjustable

FP - 4 - with straight columns

Can use 8" or 10" tapered or straight columns

The Ark Cast Stone 713-695-2001

Jan 2013



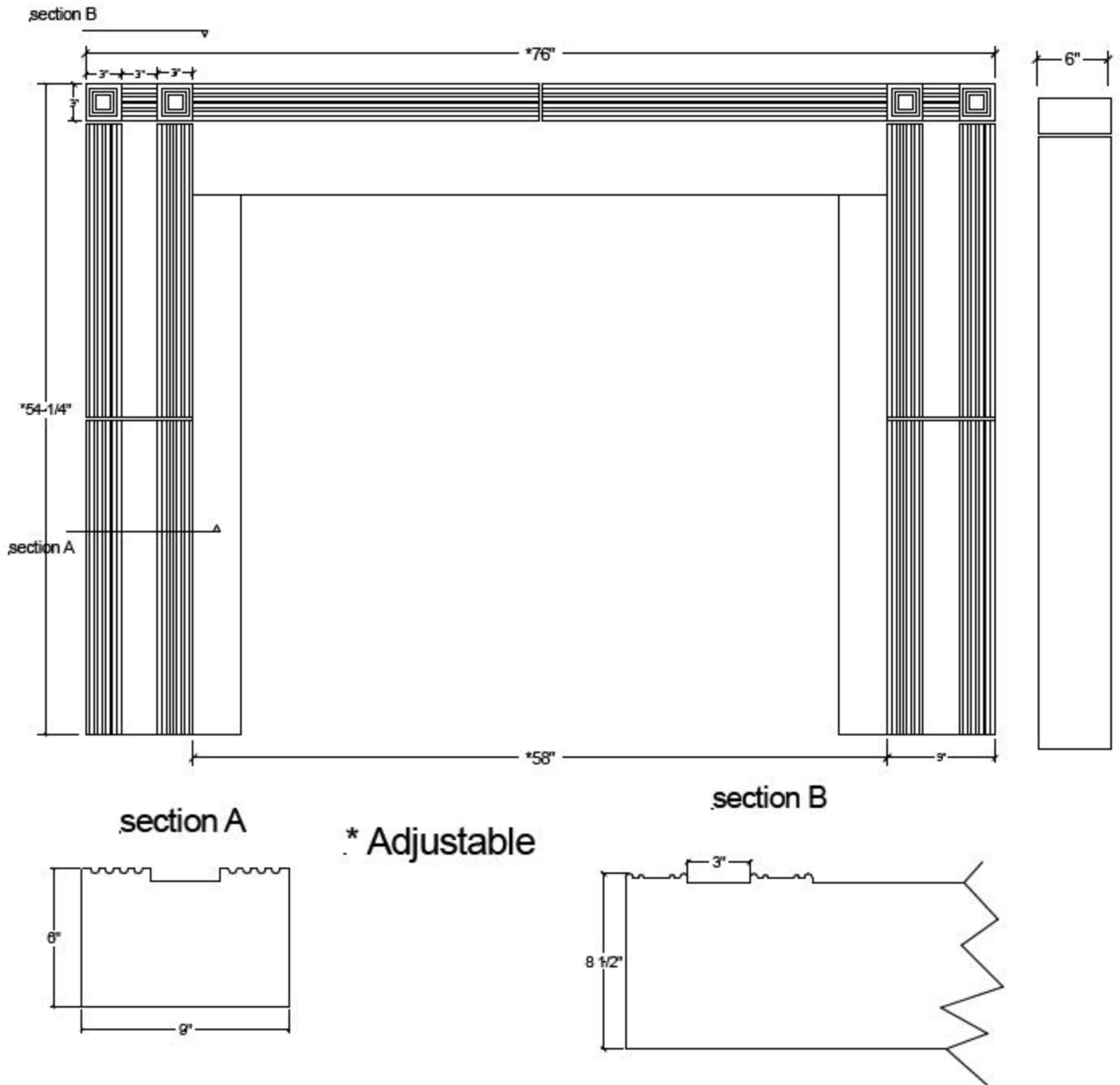
FP-4

Note: Decorative Keystone is optional

The Ark Cast Stone 713-695-2001

Jan 2013

CAST STONE FIREPLACES



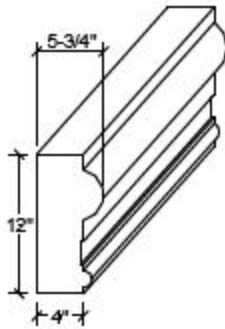
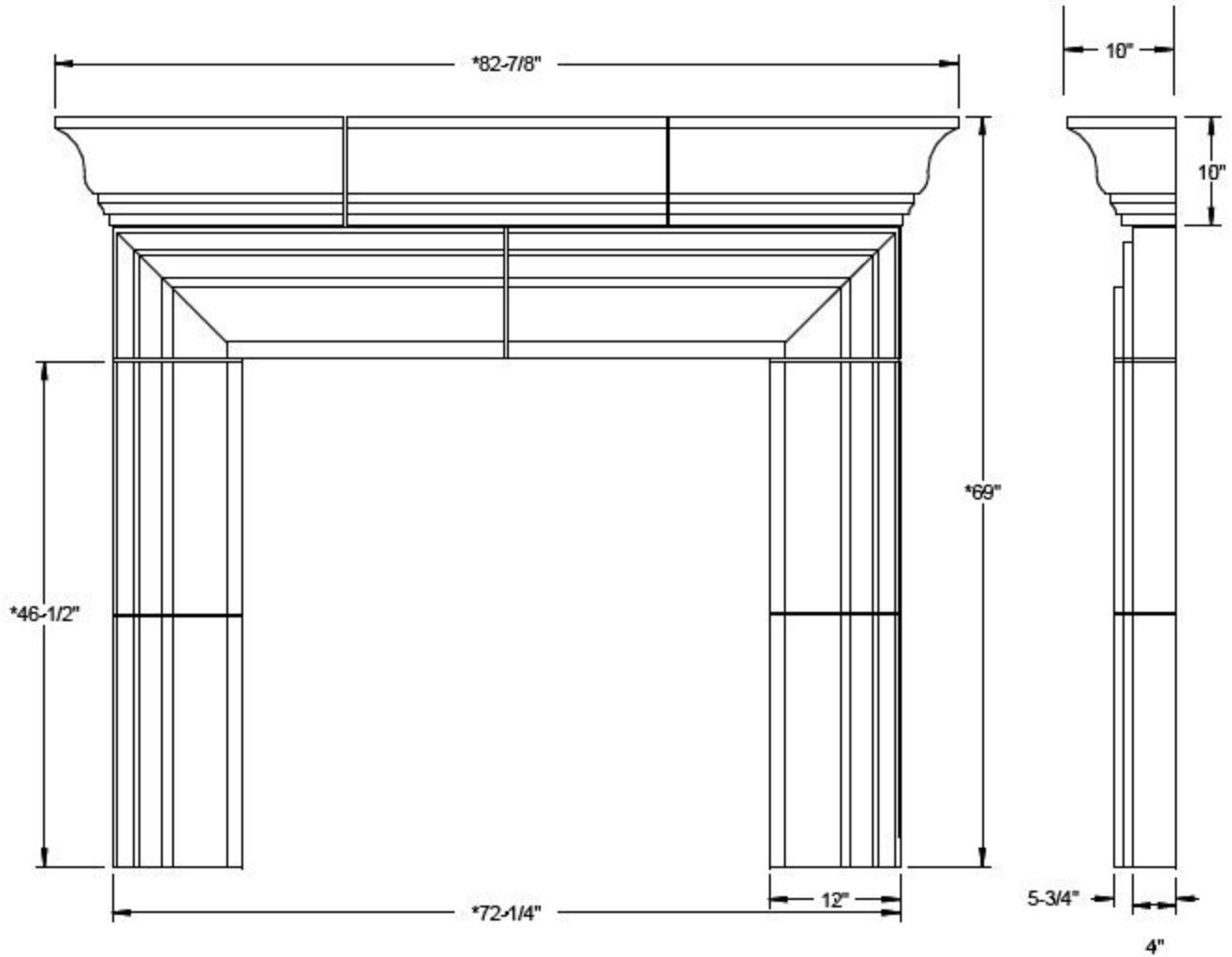
FP - 5

Cladding can be added to surround the firebox



FP-5

CAST STONE FIREPLACES



* Adjustable

FP-6

Cladding can be added to surround the firebox

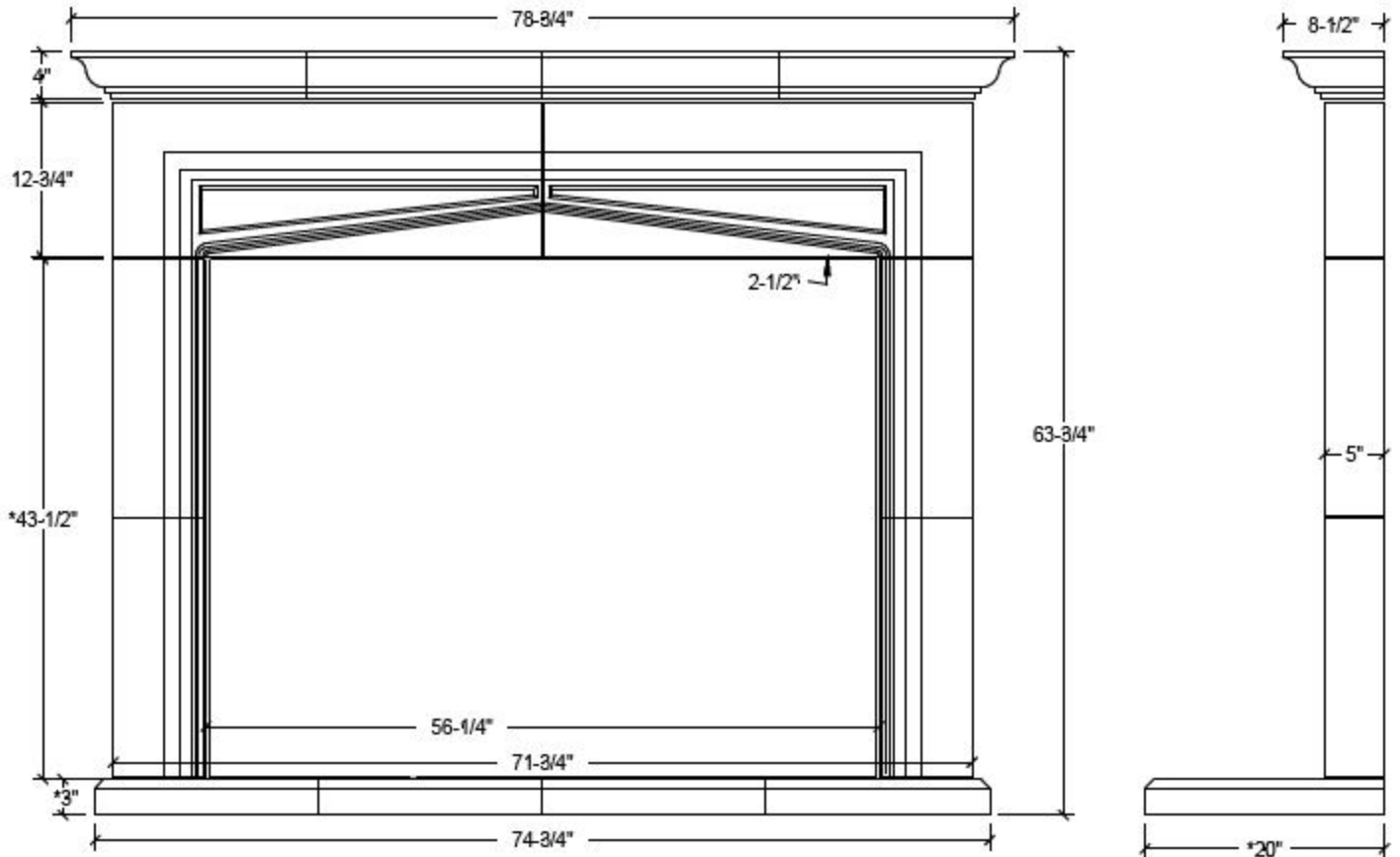
The Ark Cast Stone 713-695-2001

Jan 2013



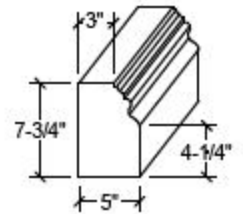
FP-6

CAST STONE FIREPLACES



* Adjustable

Leg Profile



FP - 7

Cladding can be added to surround the firebox

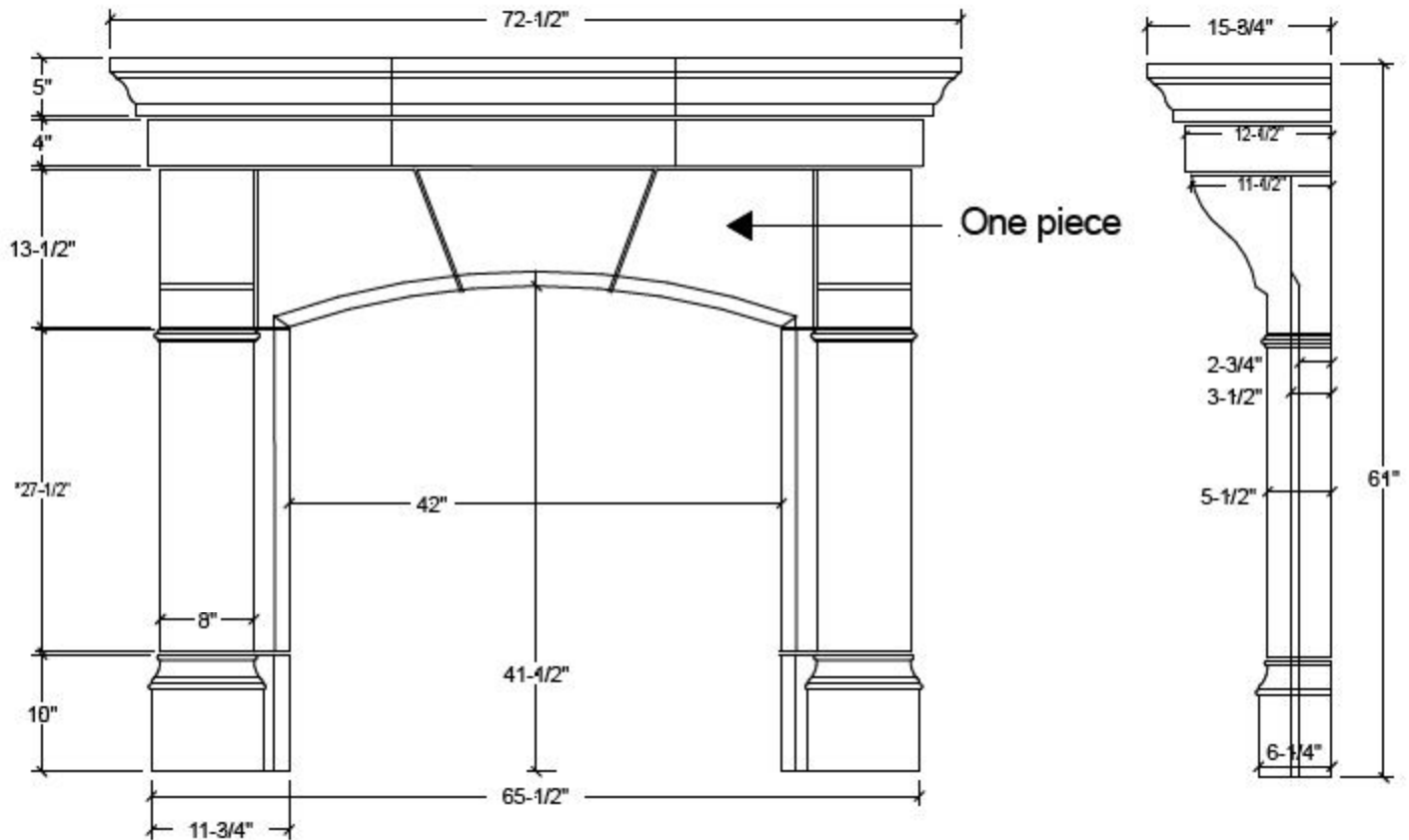
The Ark Cast Stone 713-695-2001

Jan 2013



FP-7

CAST STONE FIREPLACES



* Adjustable

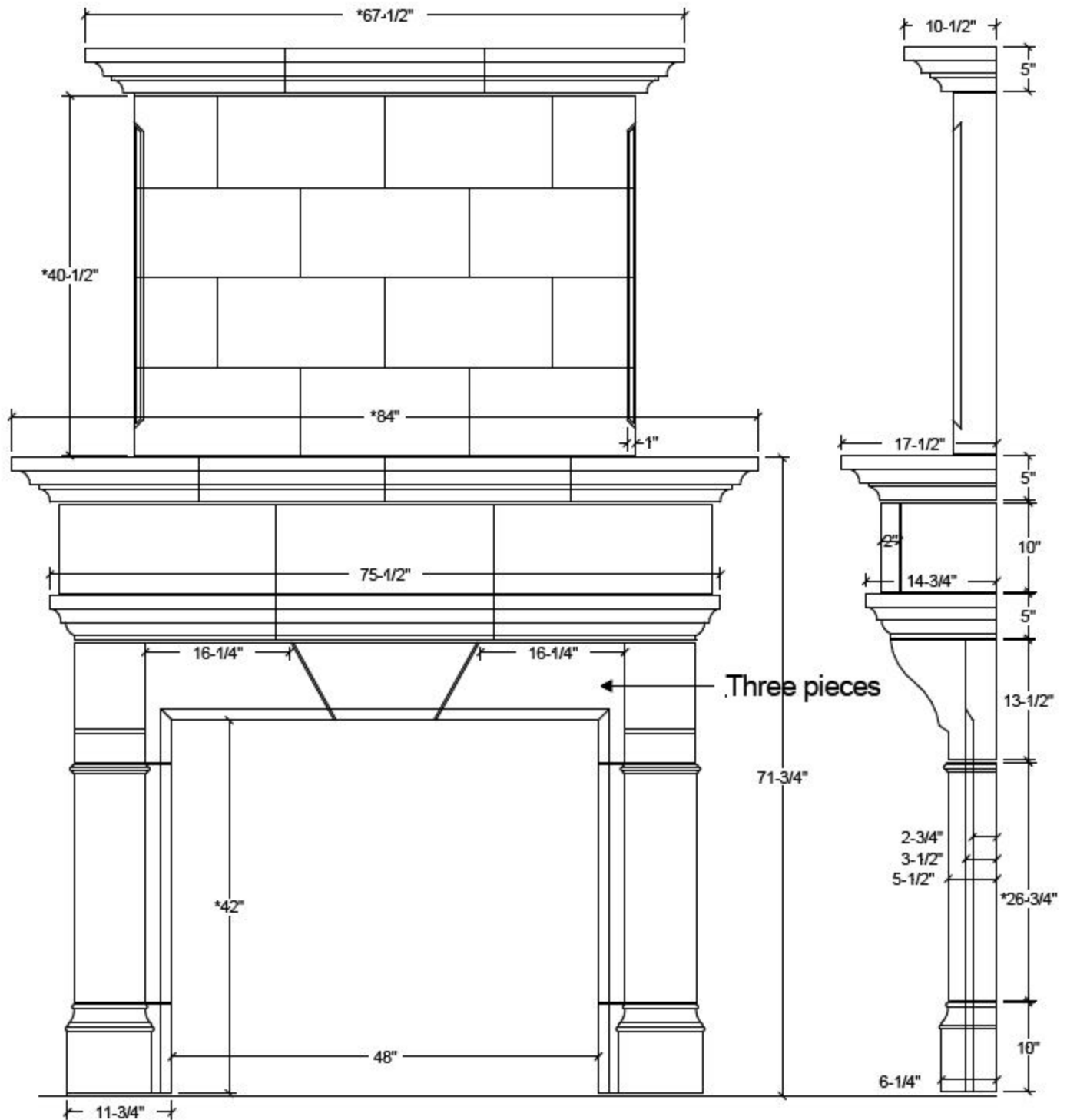
FP - 8

Cladding can be added to surround the firebox



FP-8

CAST STONE FIREPLACES



FP - 9

*** Adjustable**

Cladding can be added to surround the firebox

The Ark Cast Stone 713-695-2001

Jan 2013



FP-9

Note: Overmantel optional

The Ark Cast Stone 713-695-2001

Jan 2013



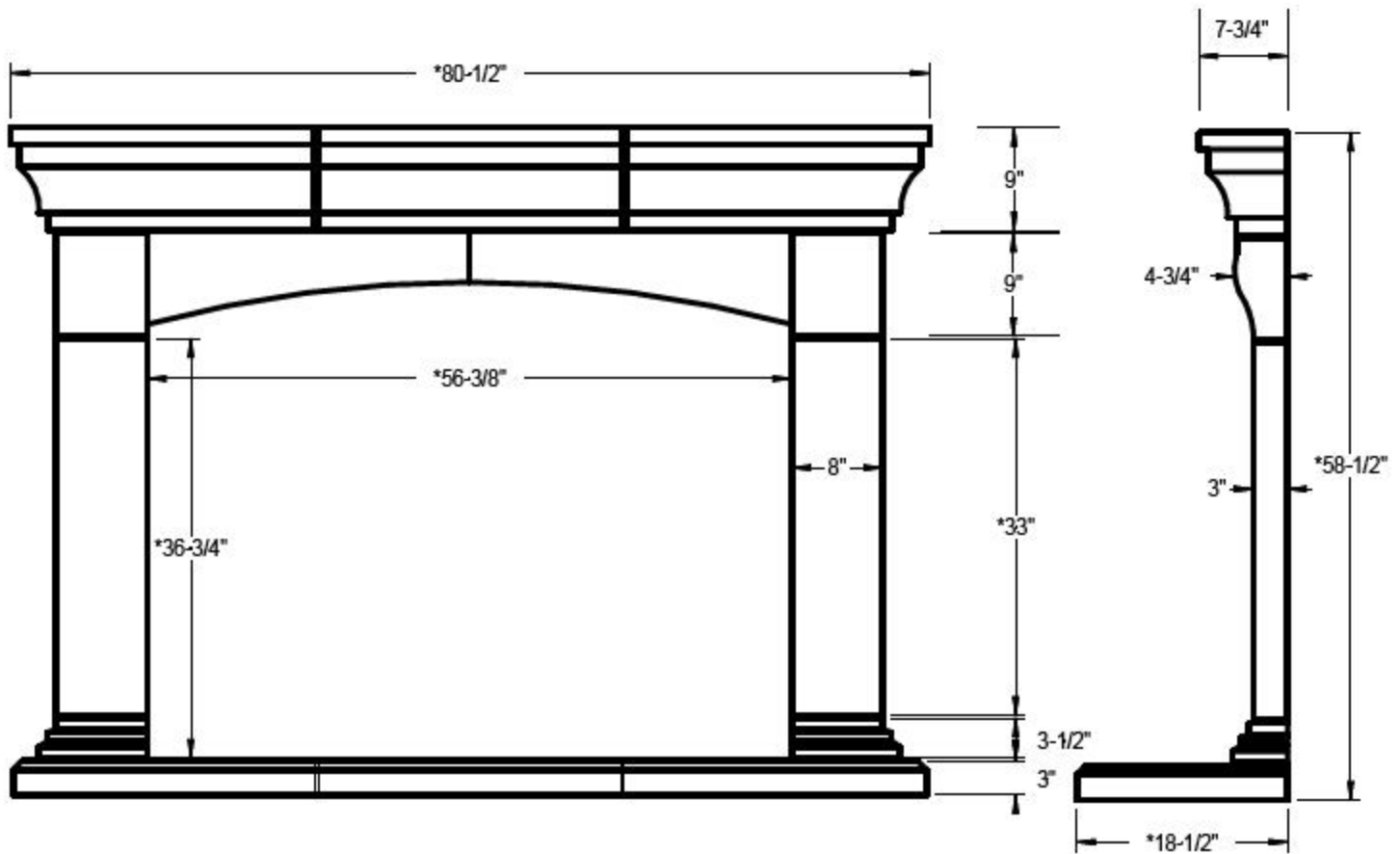
FP-9

Note: Overmantel and wall cladding optional

The Ark Cast Stone 713-695-2001

Jan 2013

CAST STONE FIREPLACES



* Adjustable

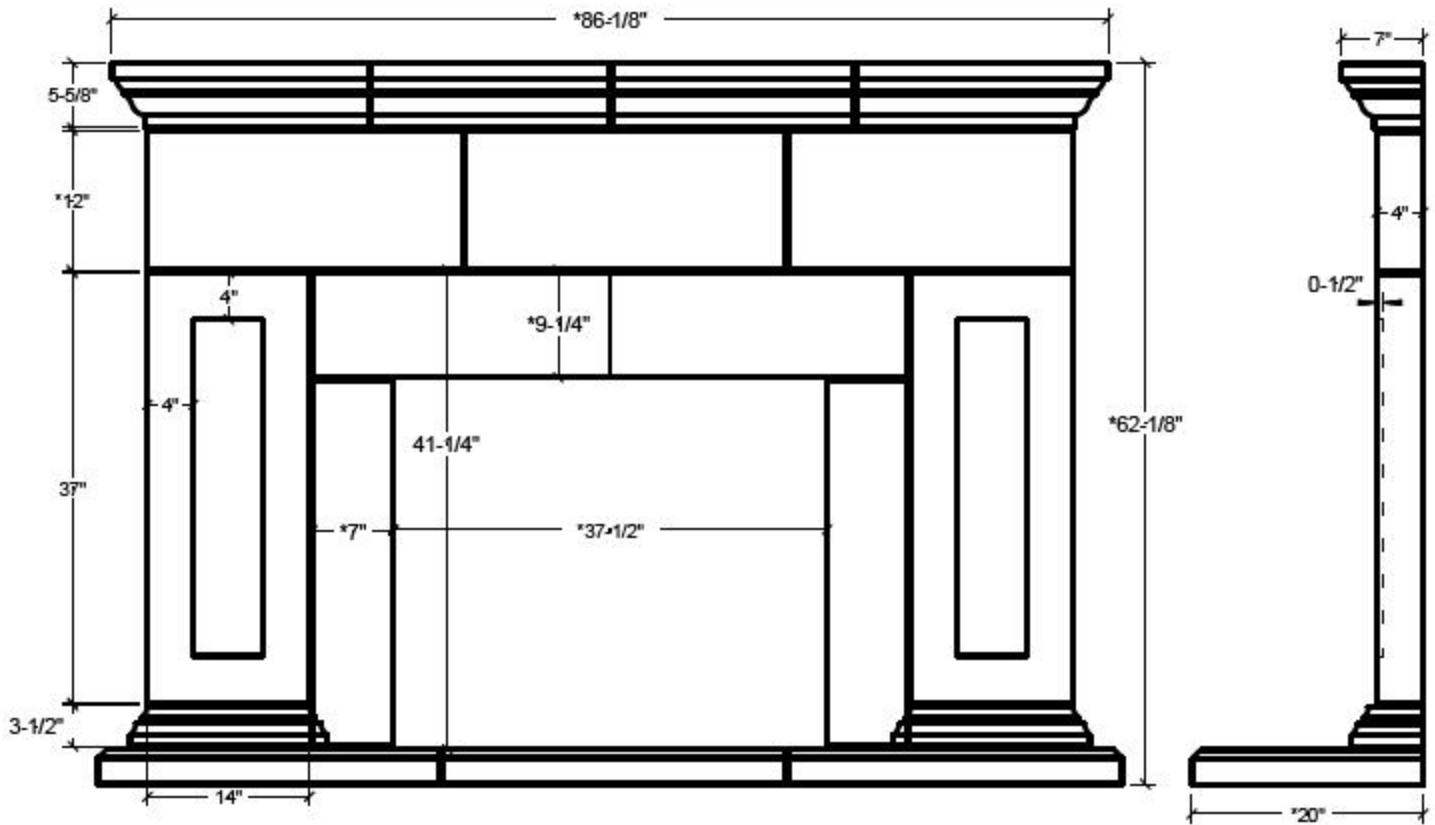
FP-10

Cladding can be added to surround the firebox

The Ark Cast Stone 713-695-2001

Jan 2013

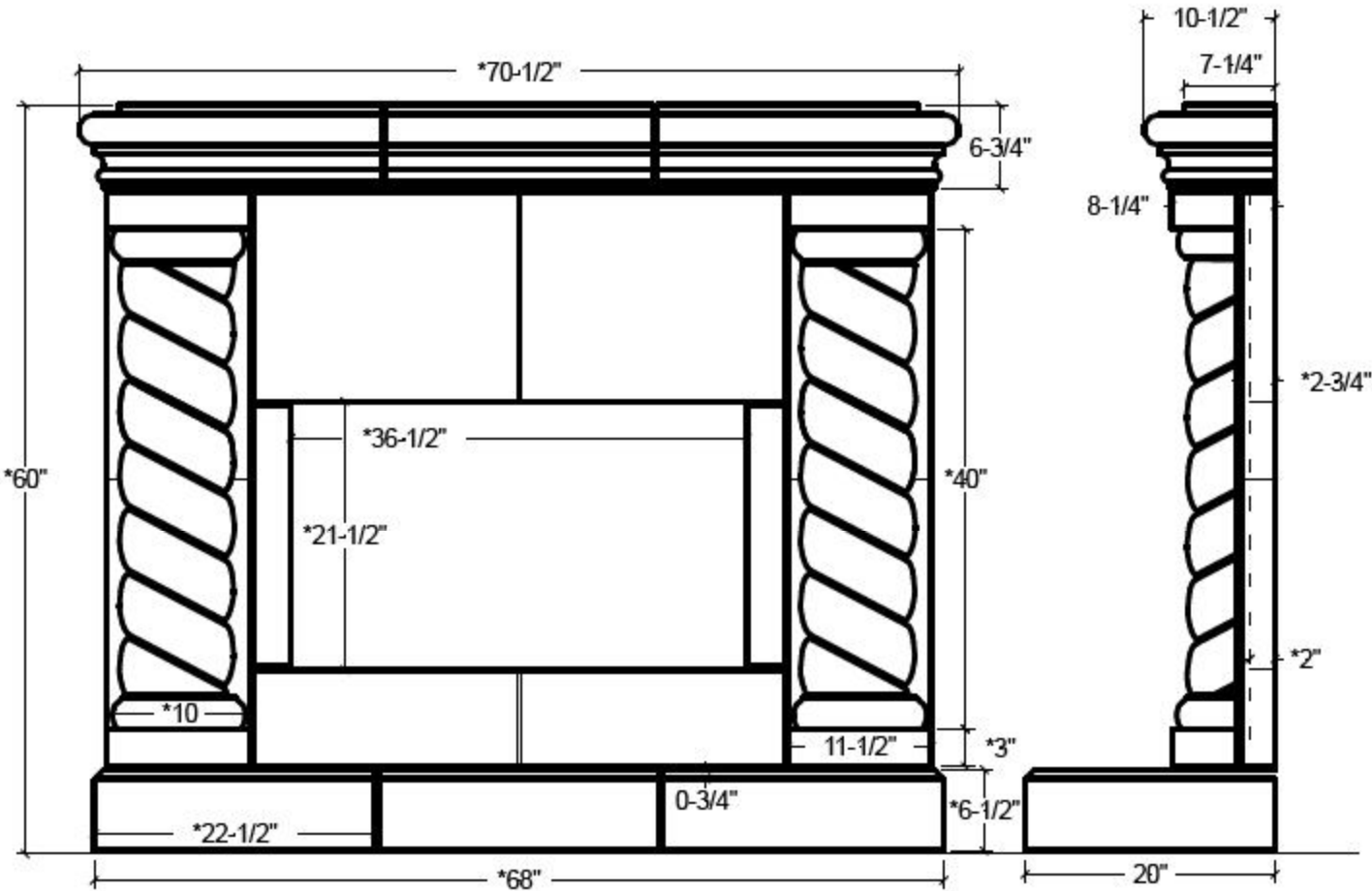
CAST STONE FIREPLACES



* Adjustable

FP-11

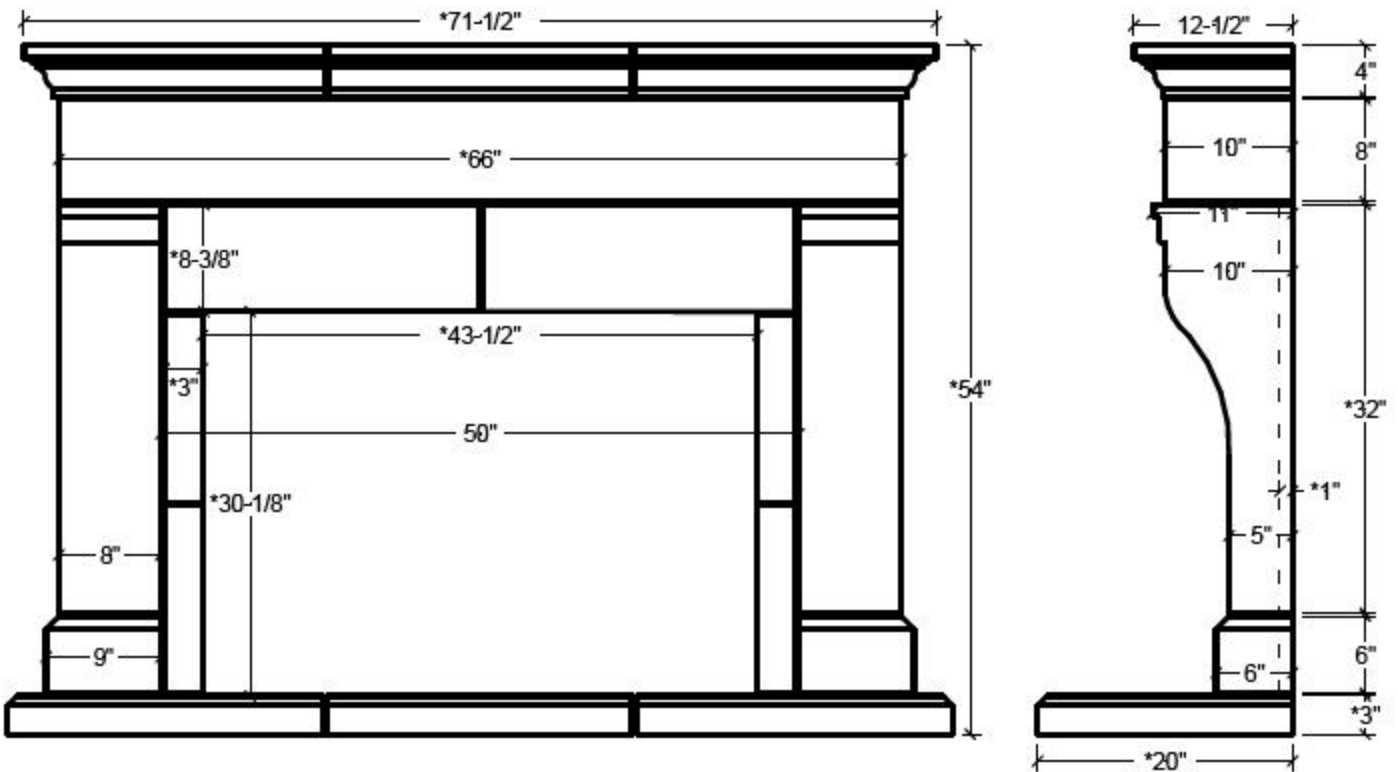
CAST STONE FIREPLACES



* Adjustable

FP-12

CAST STONE FIREPLACES



* Adjustable

FP-13



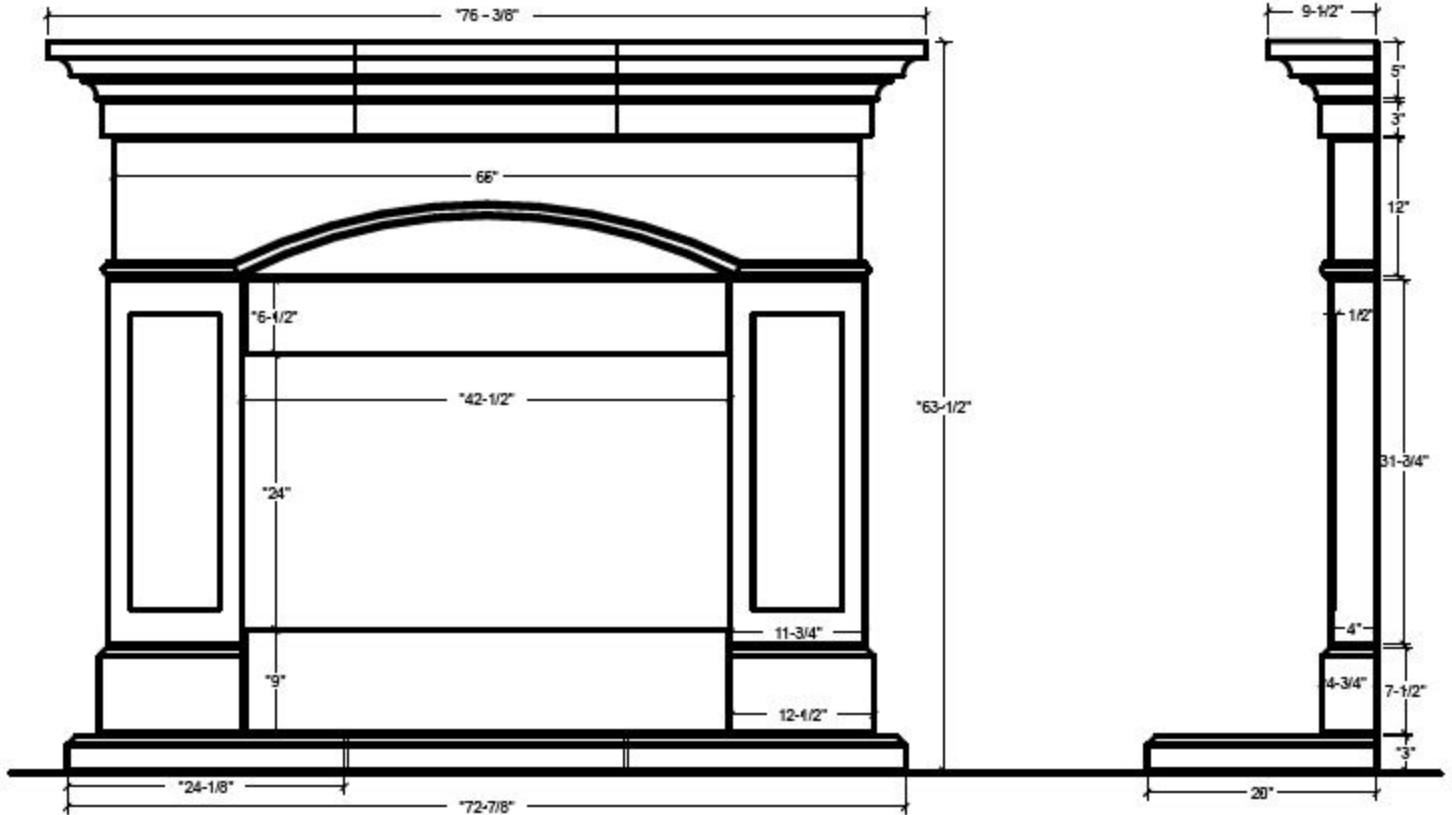
FP-13

The Ark Cast Stone 713-695-2001

Jan 2013

- 25 -

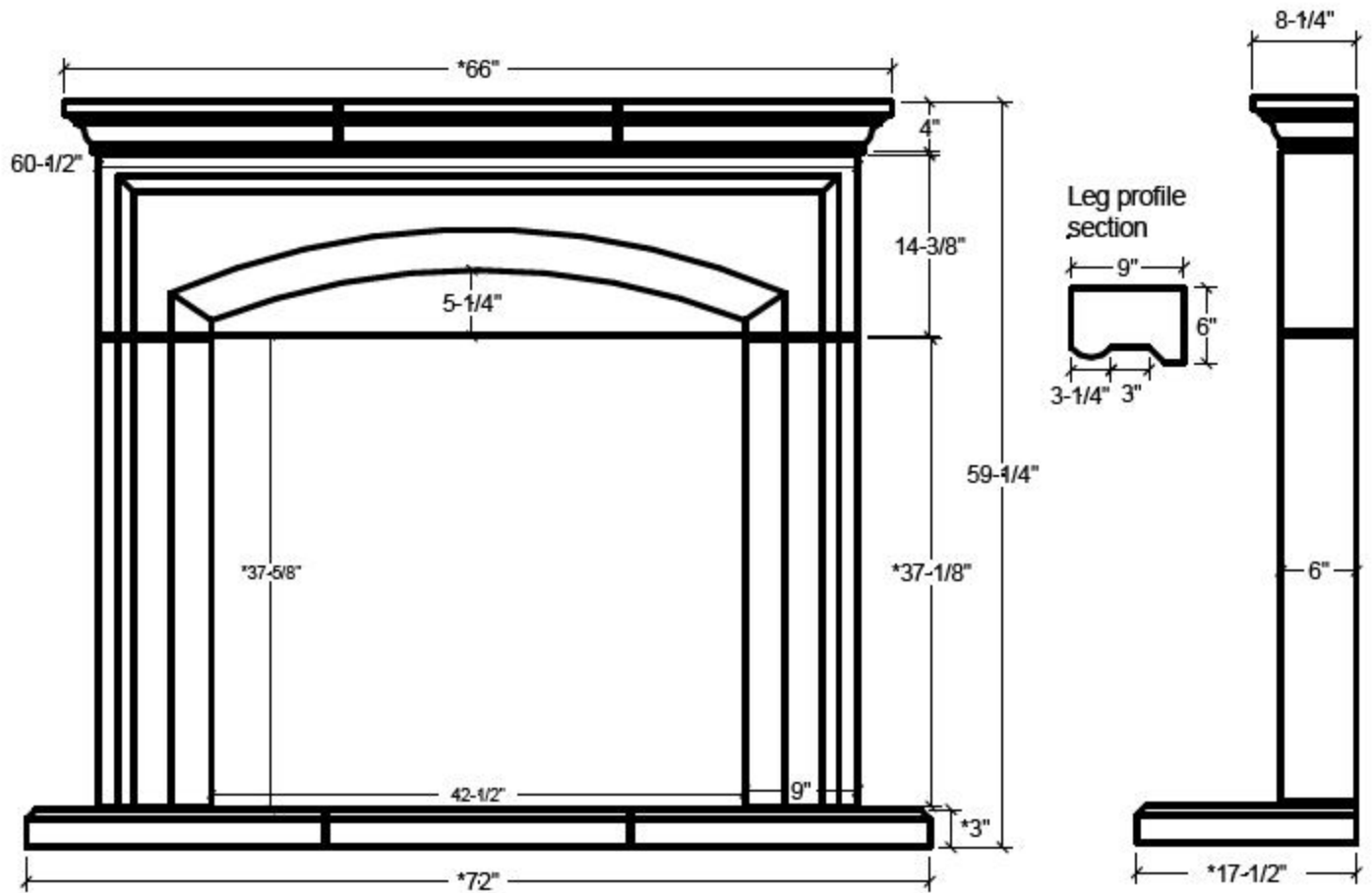
CAST STONE FIREPLACES



* Adjustable

FP-14

CAST STONE FIREPLACES



* Adjustable

FP-15

Cladding can be added to surround the firebox

The Ark Cast Stone 713-695-2001

Jan 2013



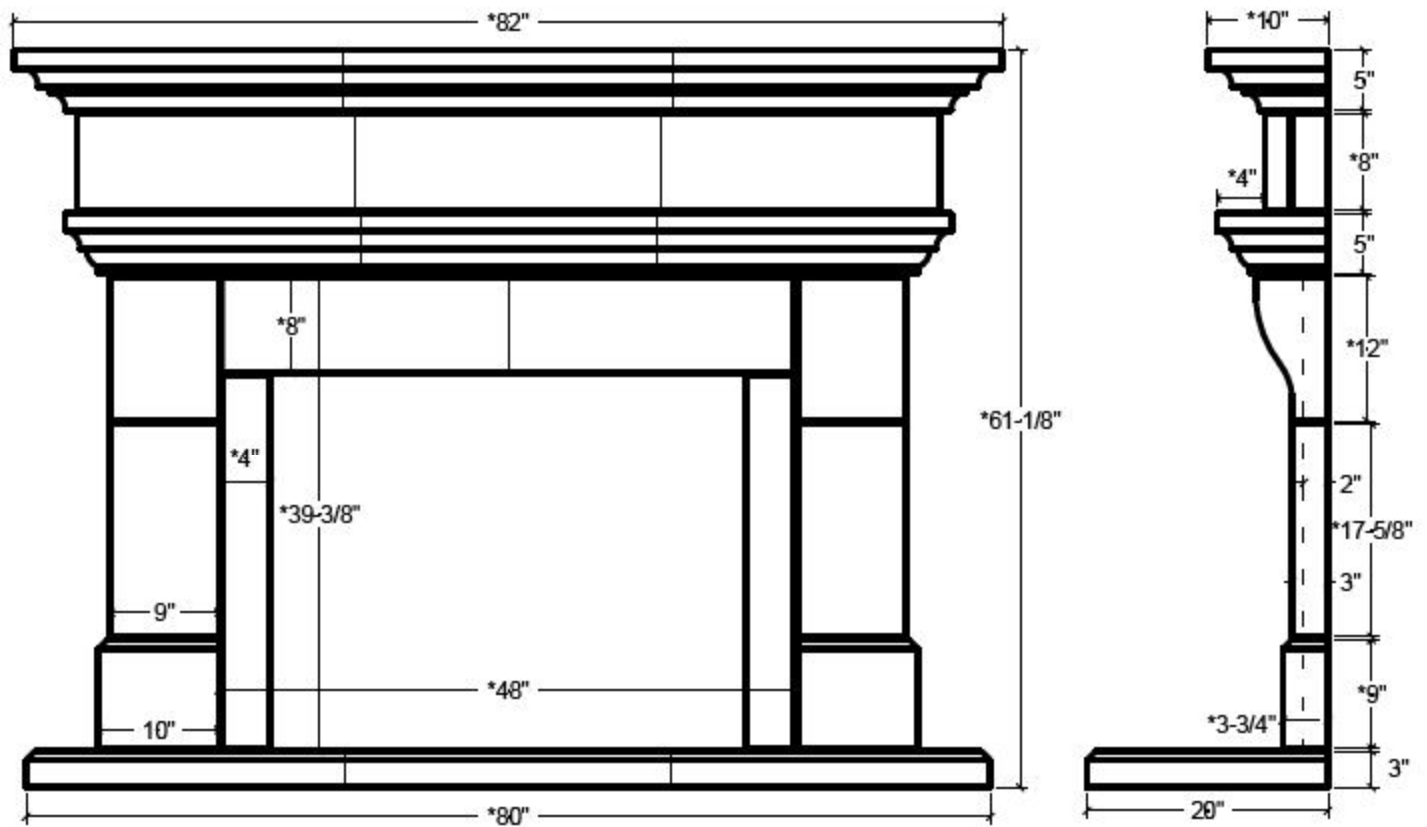
FP-15

The Ark Cast Stone 713-695-2001

Jan 2013

- 28 -

CAST STONE FIREPLACES



* Adjustable

FP-16

The Ark Cast Stone 713-695-2001

Jan 2013

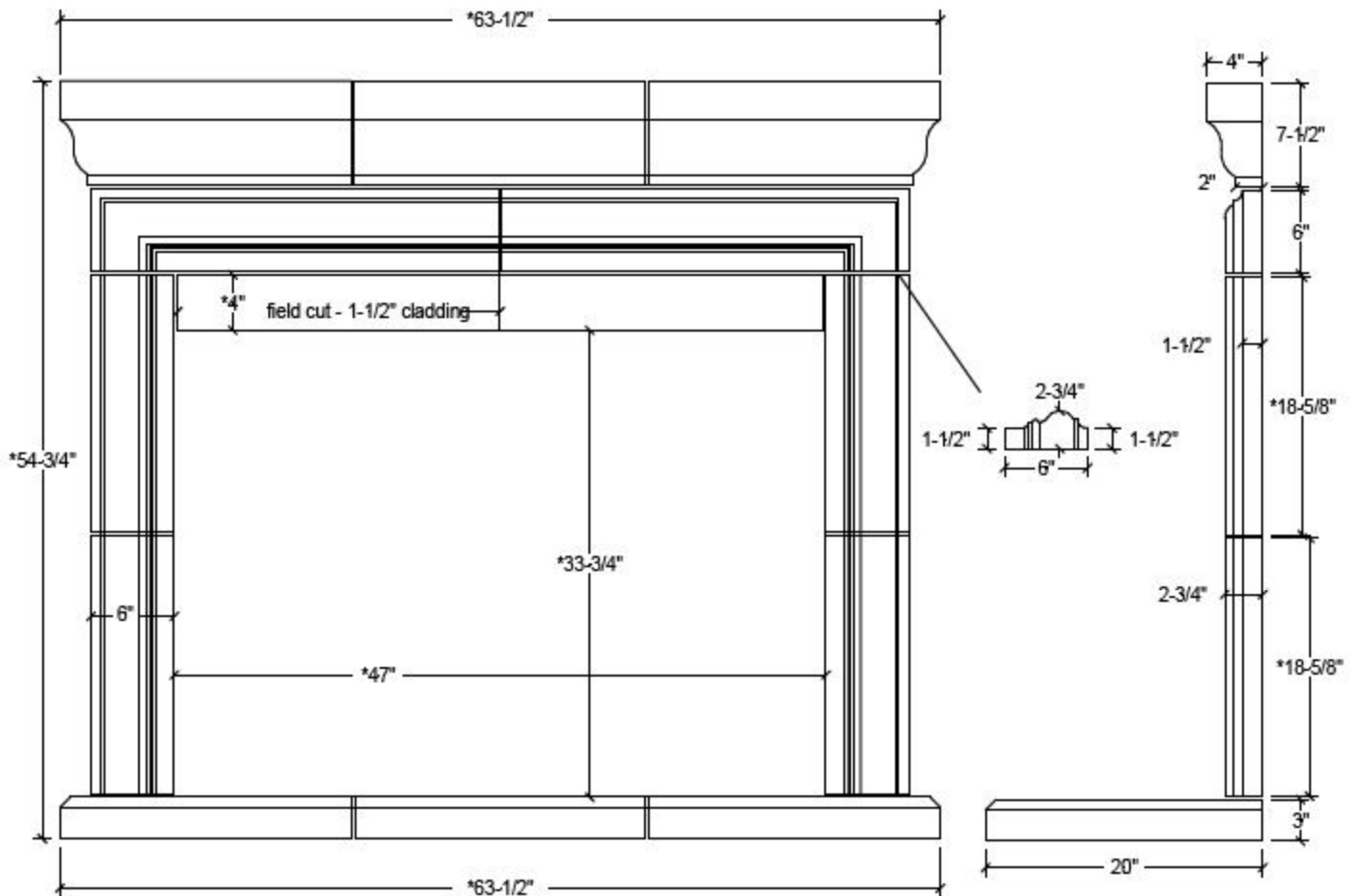


FP-16

The Ark Cast Stone 713-695-2001

Jan 2013

CAST STONE FIREPLACES



* Adjustable

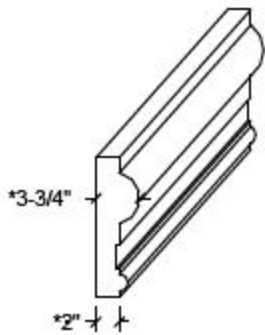
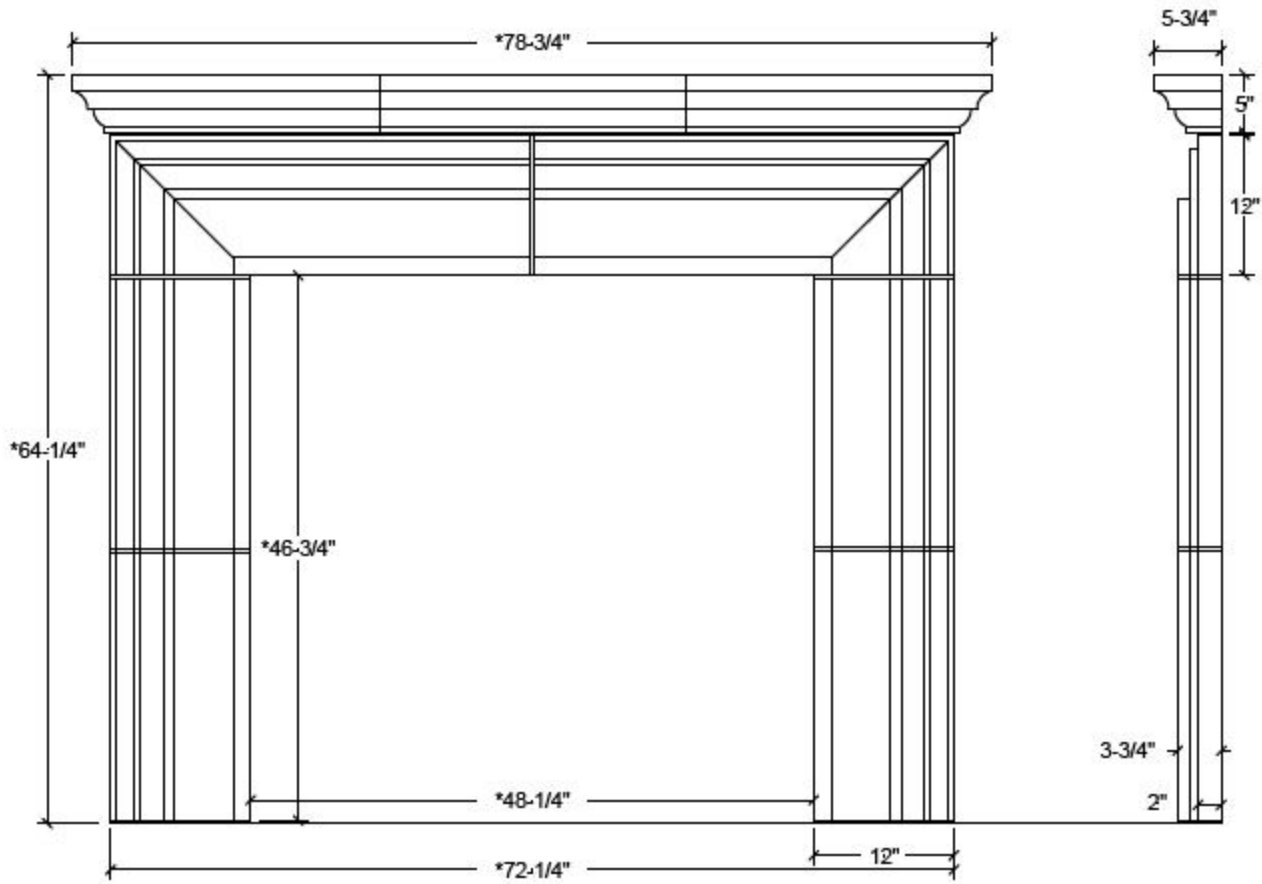
FP-17

Cladding can be added to surround the firebox



FP-17

CAST STONE FIREPLACES

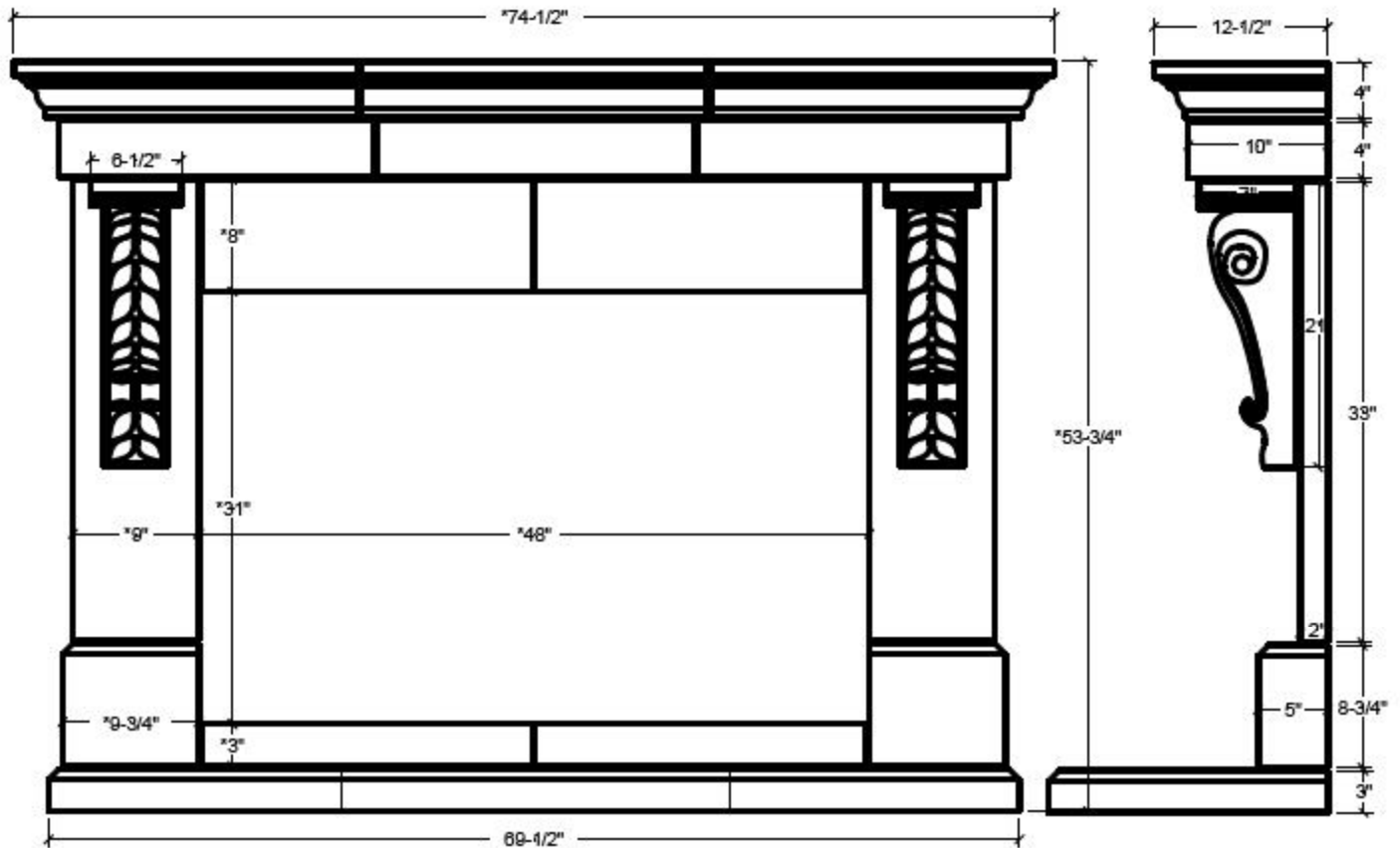


* Adjustable

Cladding can be added to surround the firebox

FP-18

CAST STONE FIREPLACES



* Adjustable

Corbel drawing is approximate

FP-19

Cladding can be added to surround the firebox

The Ark Cast Stone 713-695-2001

Jan 2013



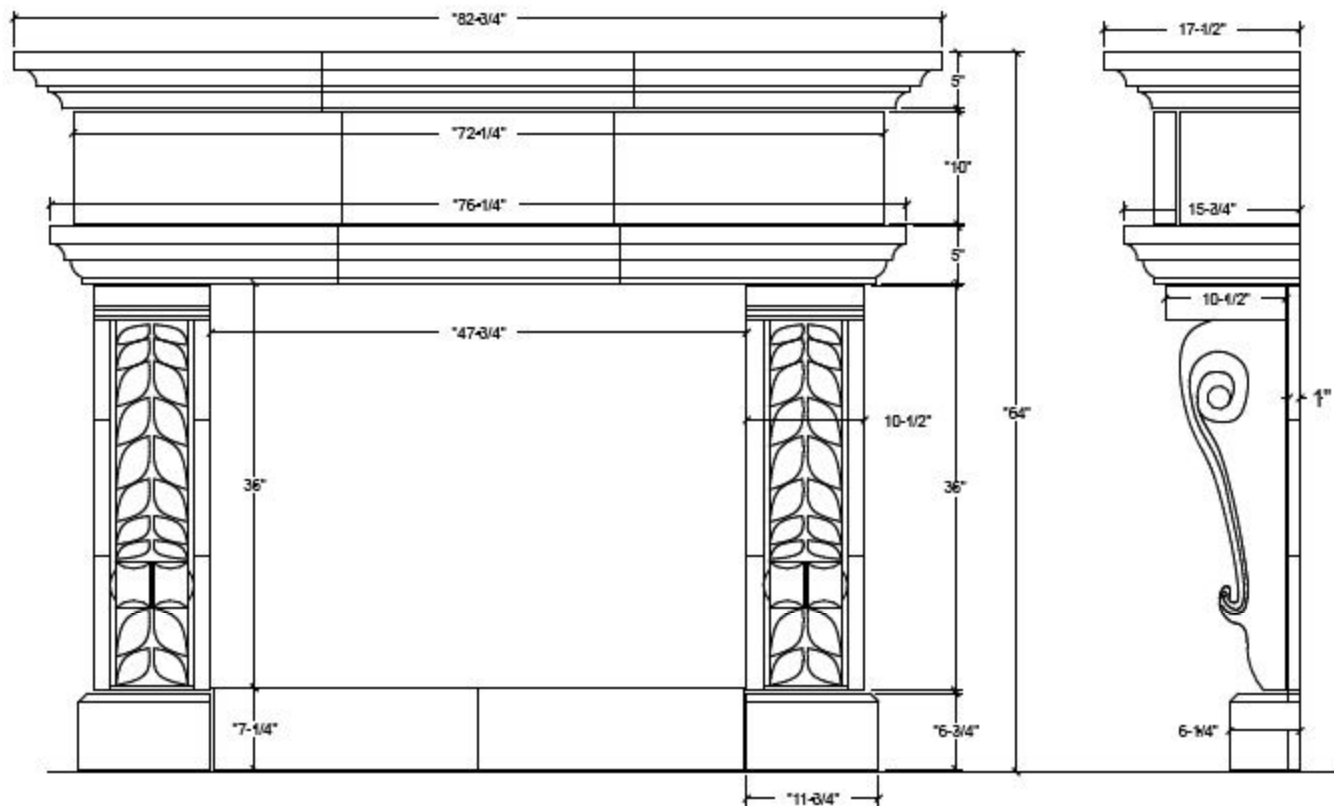
FP-19

Note: Decorative cartouche is optional

The Ark Cast Stone 713-695-2001

Jan 2013

CAST STONE FIREPLACES



* Adjustable

Corbel drawing is approximate

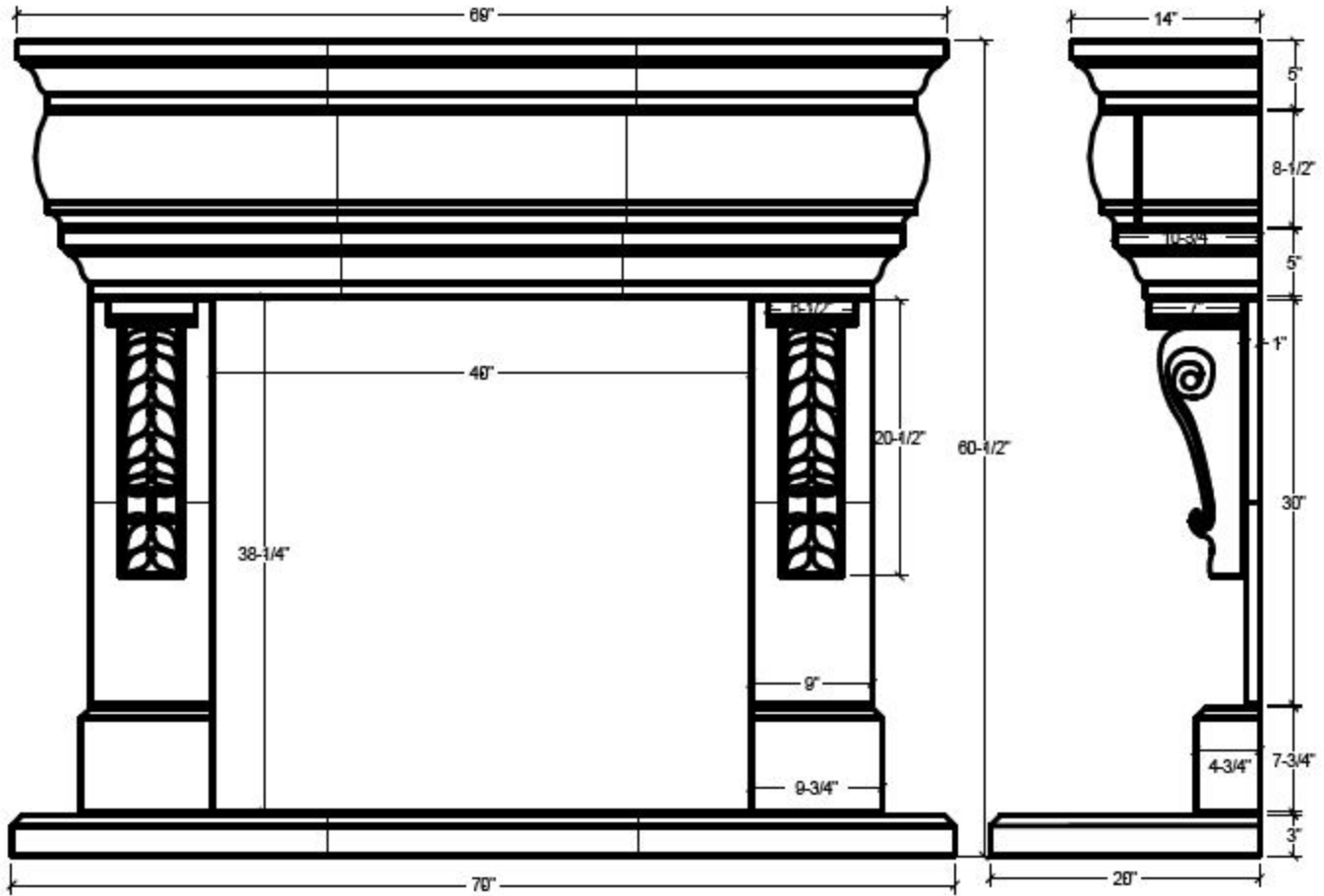
FP-20

Cladding can be added to surround the firebox

The Ark Cast Stone 713-695-2001

Jan 2013

CAST STONE FIREPLACES



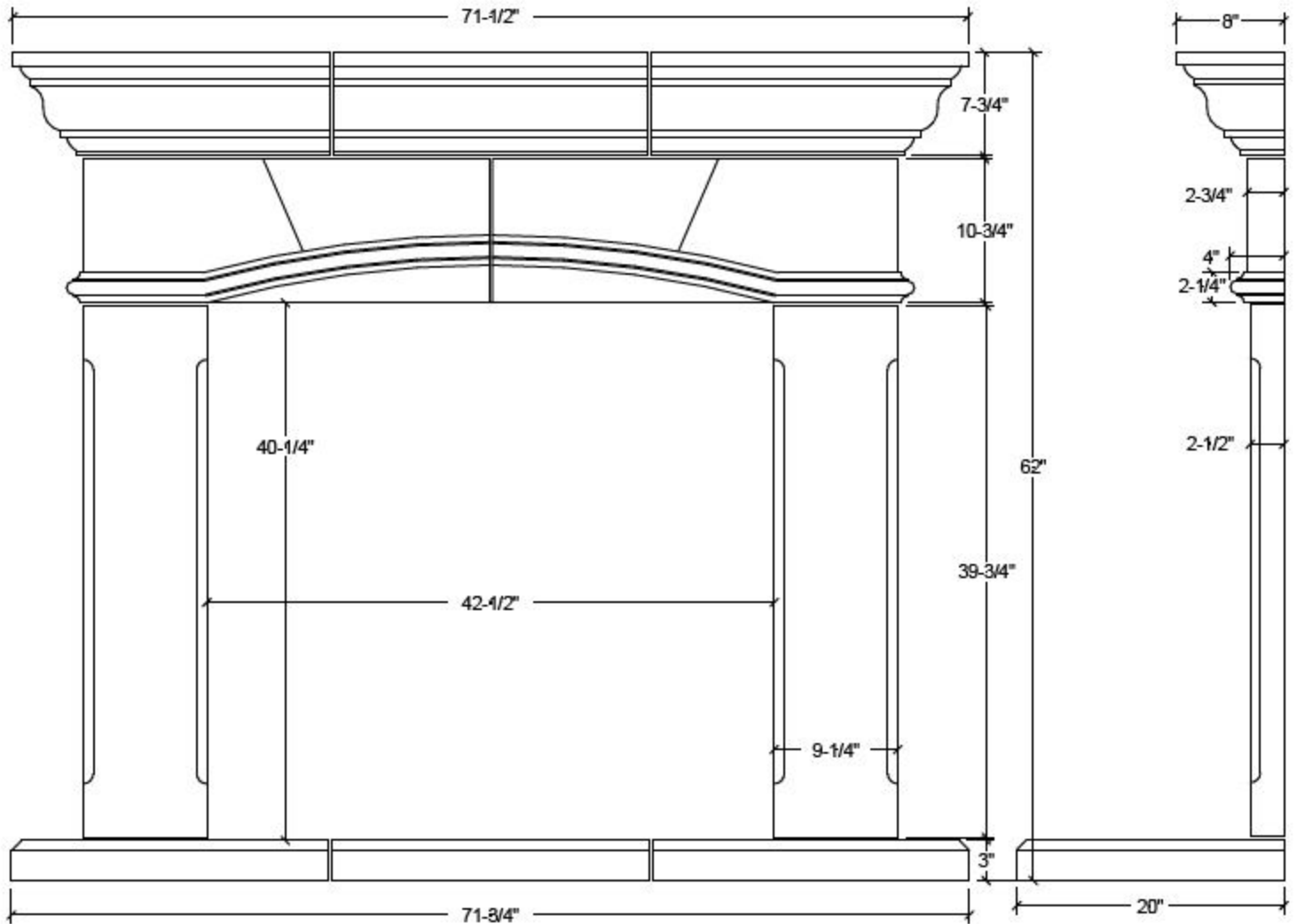
* Adjustable

Corbel drawing is approximate

FP-21

Cladding can be added to surround the firebox

CAST STONE FIREPLACES



FP-22

Cladding can be added to surround the firebox

The Ark Cast Stone 713-695-2001

Jan 2013

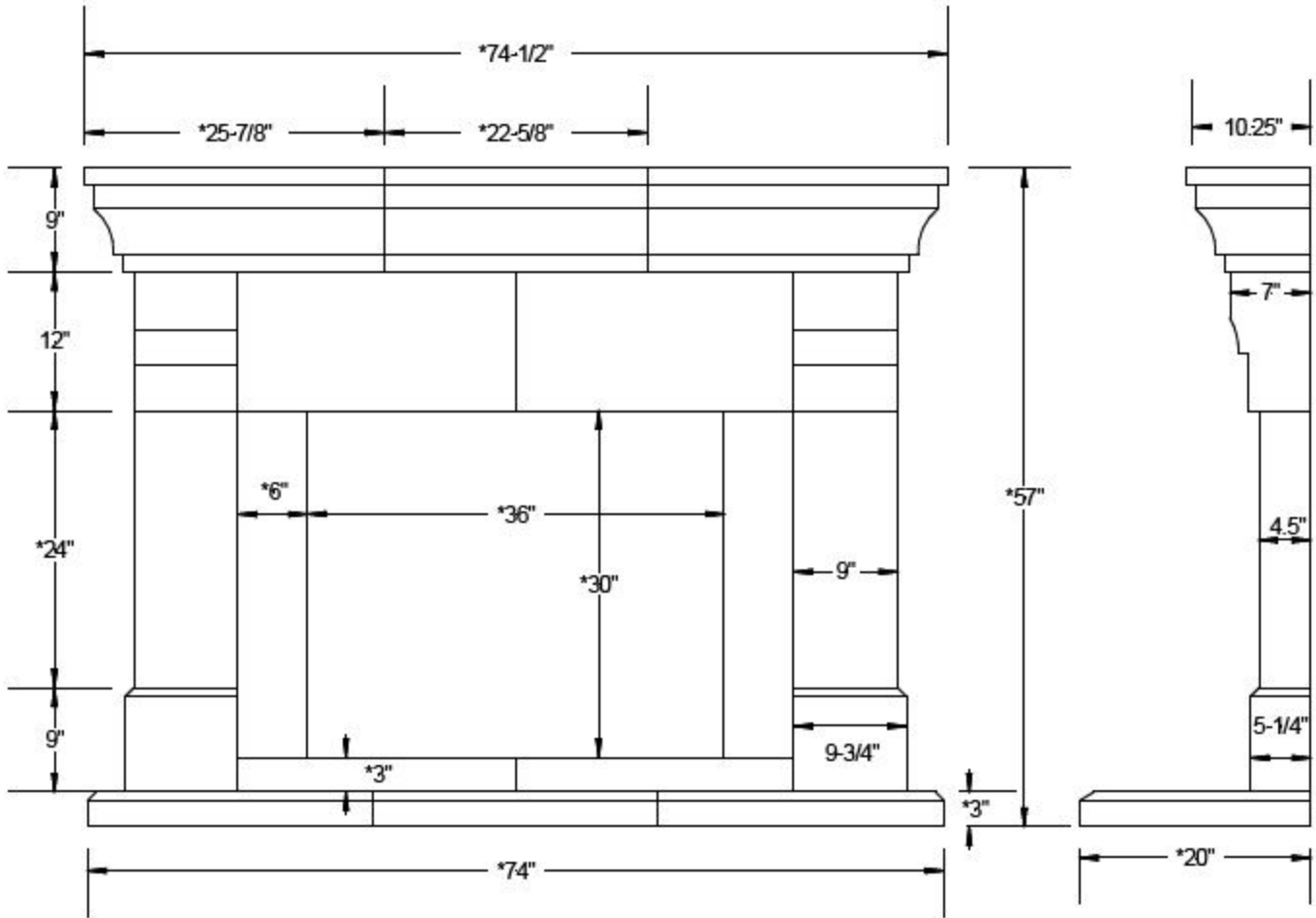


FP-22

The Ark Cast Stone 713-695-2001

Jan 2013

CAST STONE FIREPLACES



* Adjustable

FP-23
FPPB - 1

The Ark Cast Stone 713-695-2001

Jan 2013



FP-23

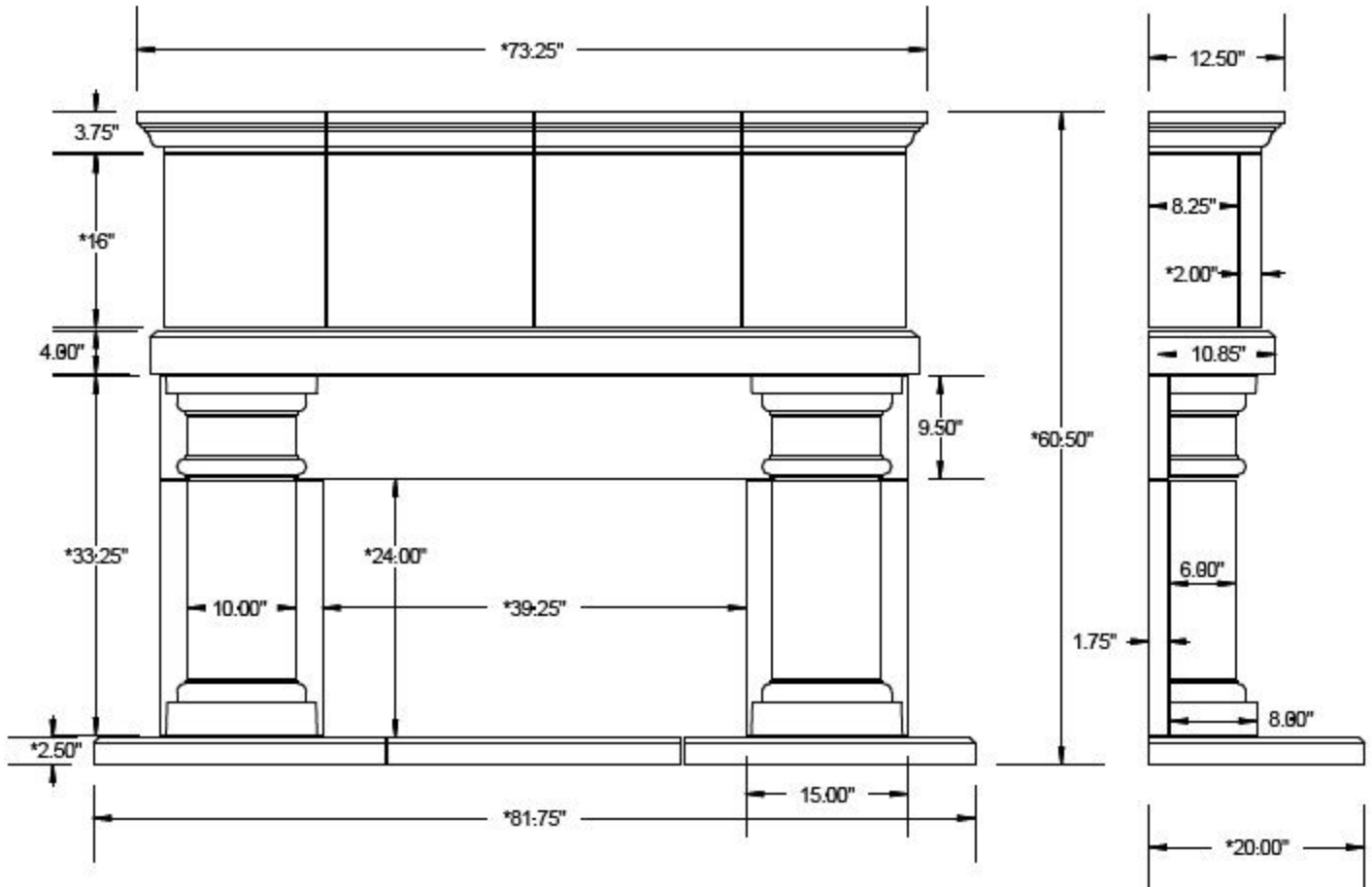
FPPB-1

The Ark Cast Stone 713-695-2001

Jan 2013

- 41 -

CAST STONE FIREPLACES



* Adjustable

FP-24
FPSH

Cladding can be added to surround the firebox

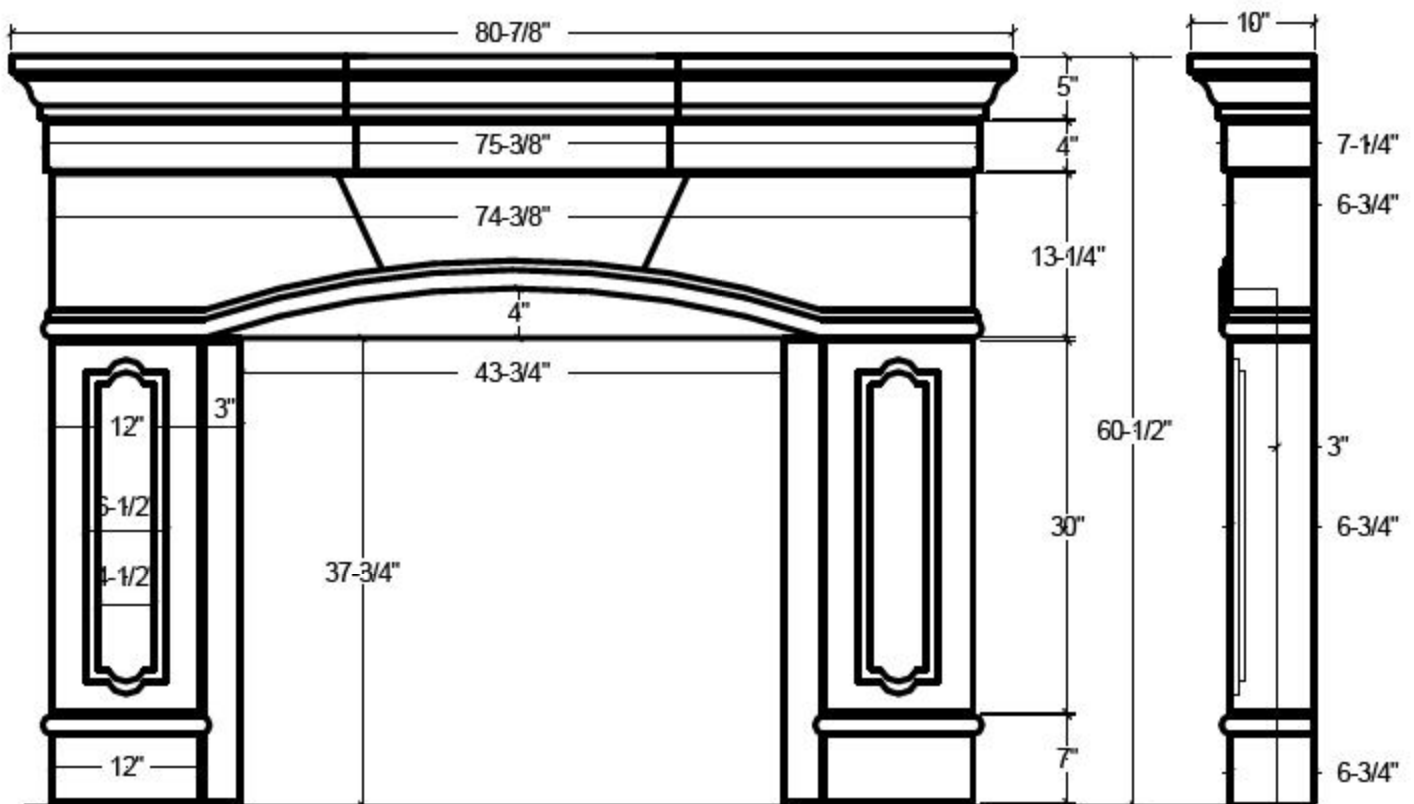
The Ark Cast Stone 713-695-2001

Jan 2013



FP-24
FPSH

CAST STONE FIREPLACES



FP-25

Cladding can be added to surround the firebox

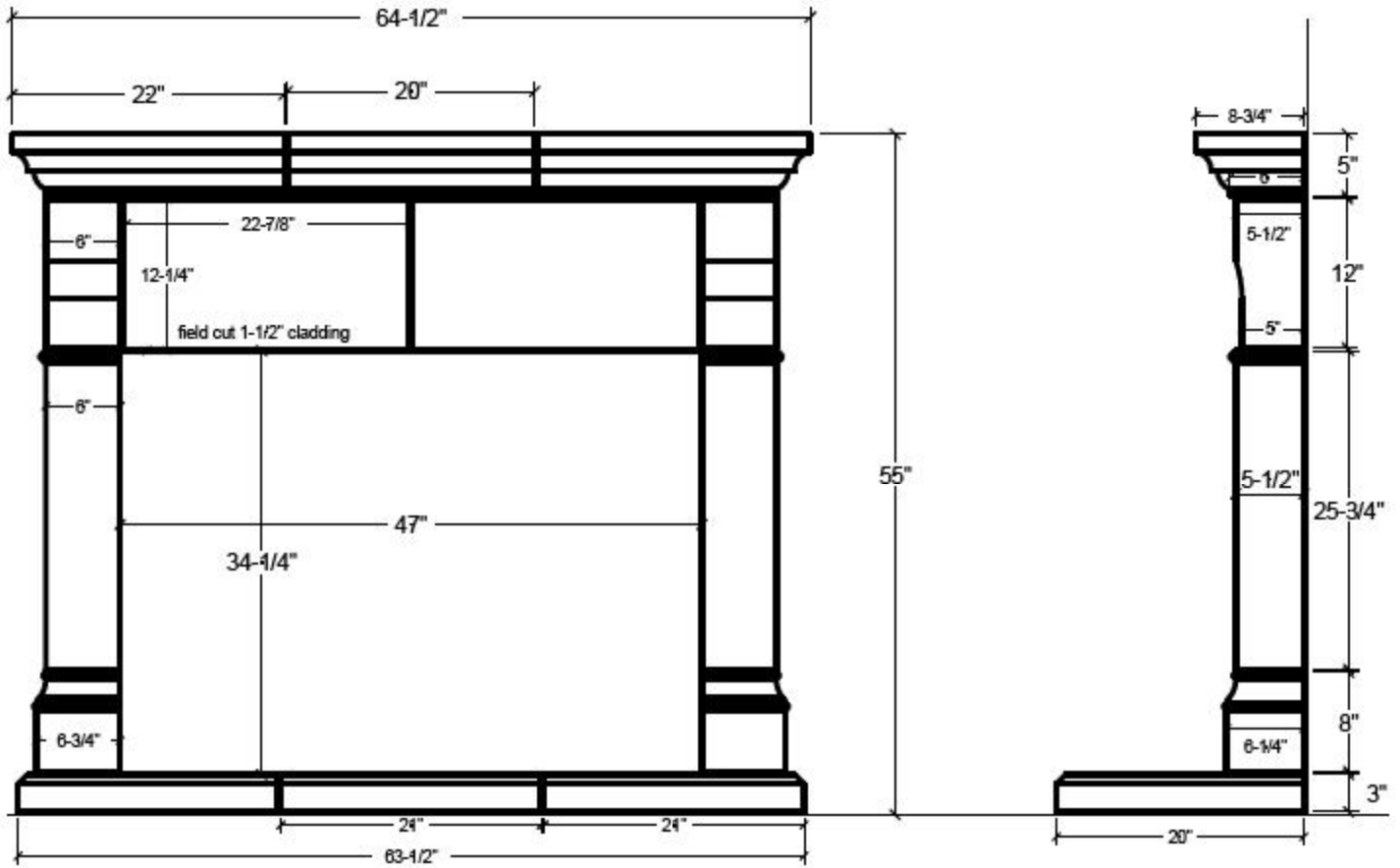
The Ark Cast Stone 713-695-2001

Jan 2013



FP-25

CAST STONE FIREPLACES



FP-26



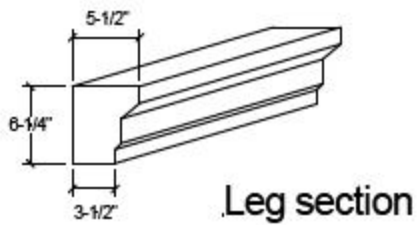
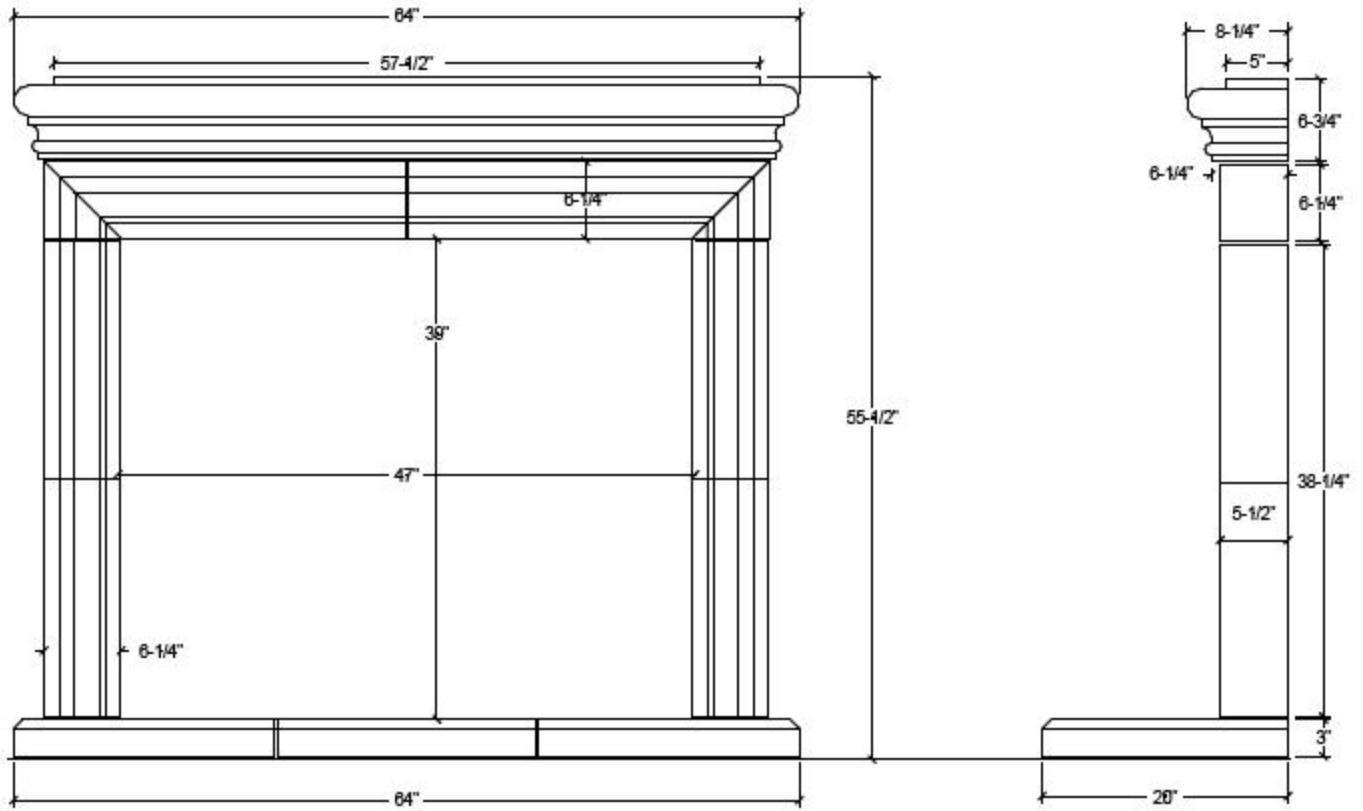
FP-26

The Ark Cast Stone 713-695-2001

Jan 2013

- 47 -

CAST STONE FIREPLACES



FP-27



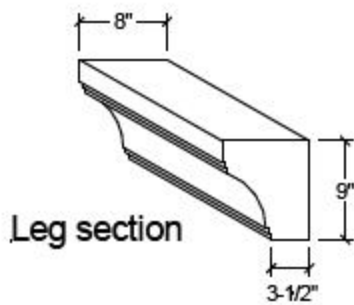
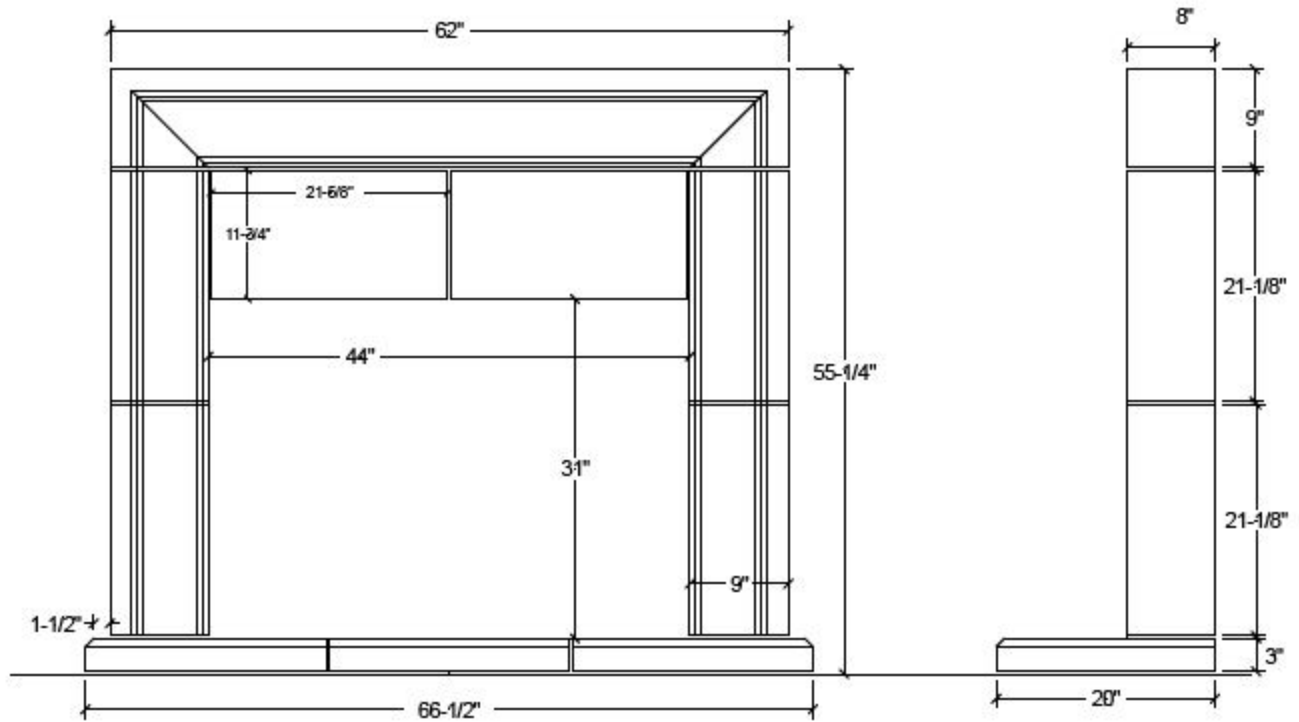
FP-27

The Ark Cast Stone 713-695-2001

Jan 2013

- 49 -

CAST STONE FIREPLACES



FP-28



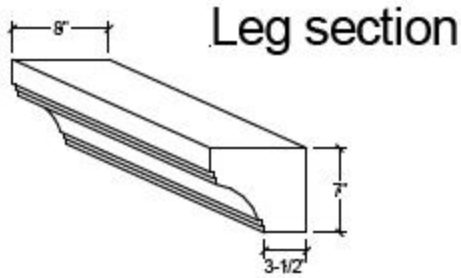
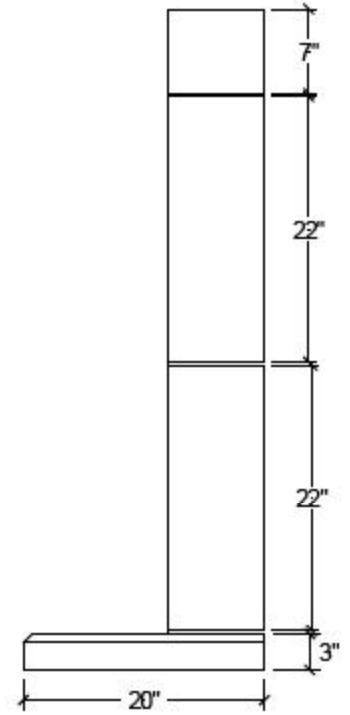
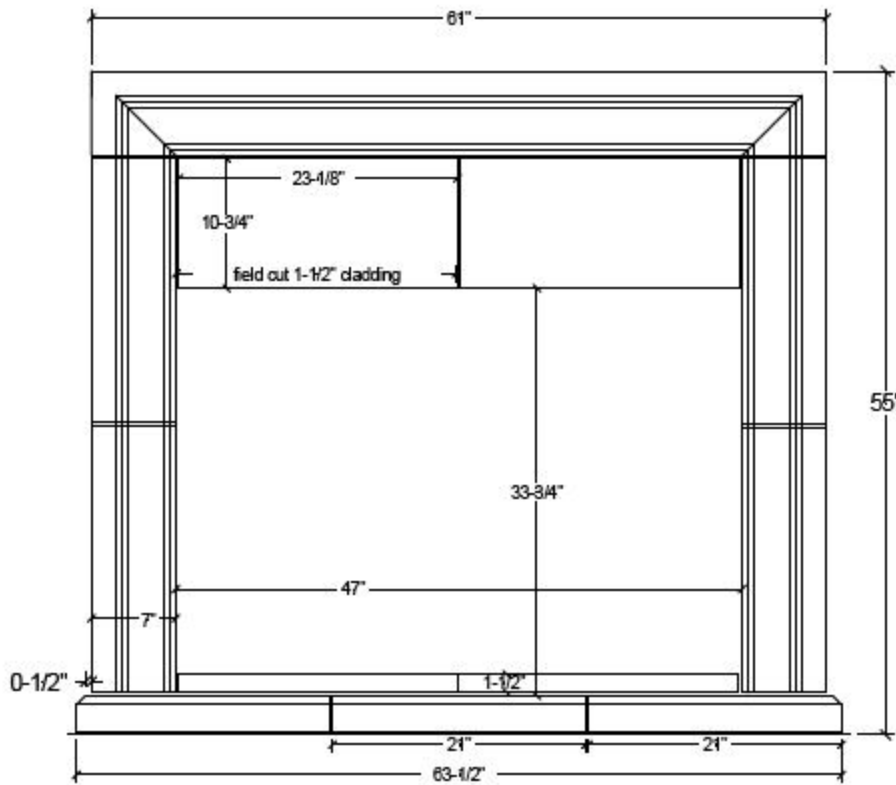
FP-28

The Ark Cast Stone 713-695-2001

Jan 2013

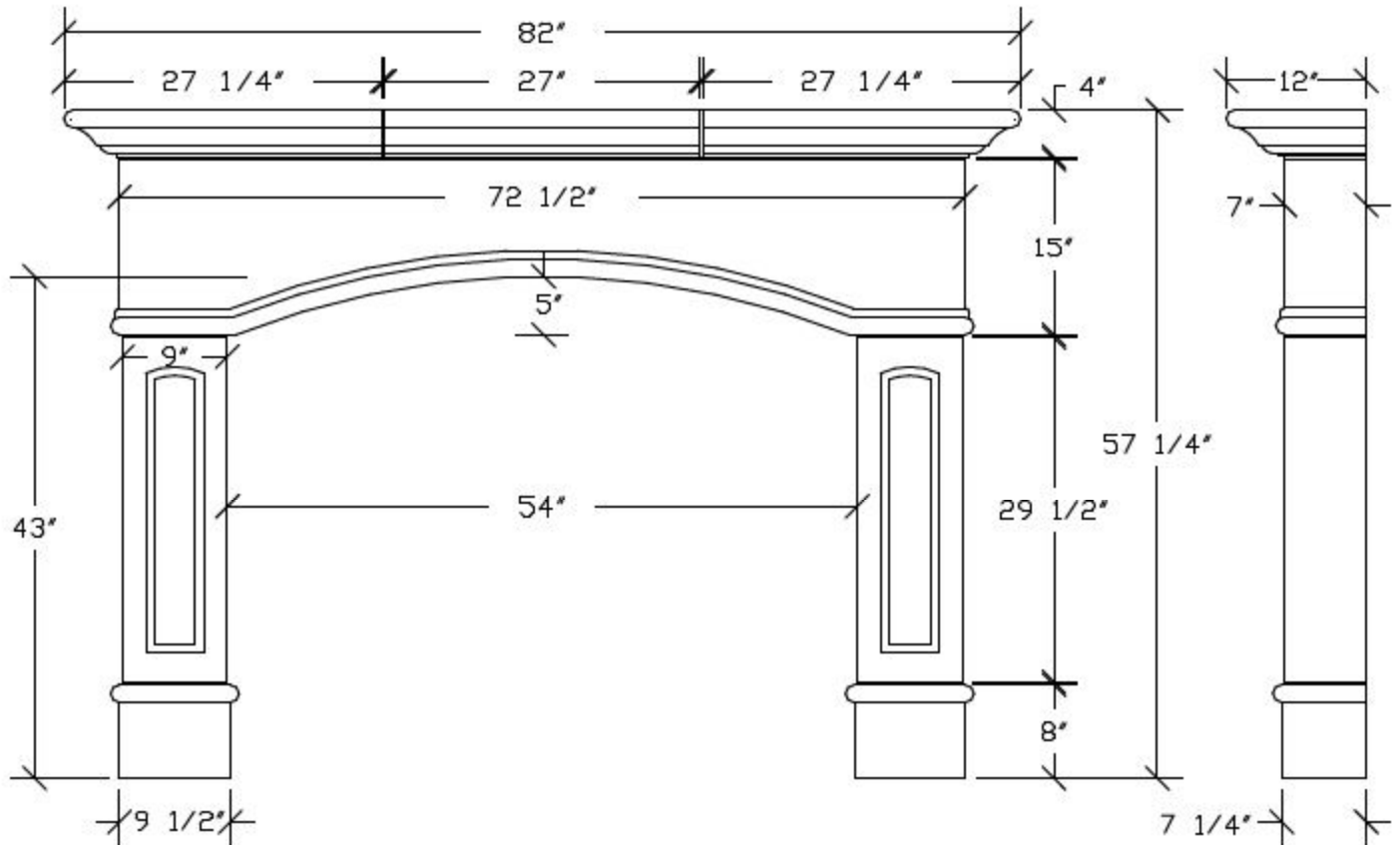
- 51 -

CAST STONE FIREPLACES



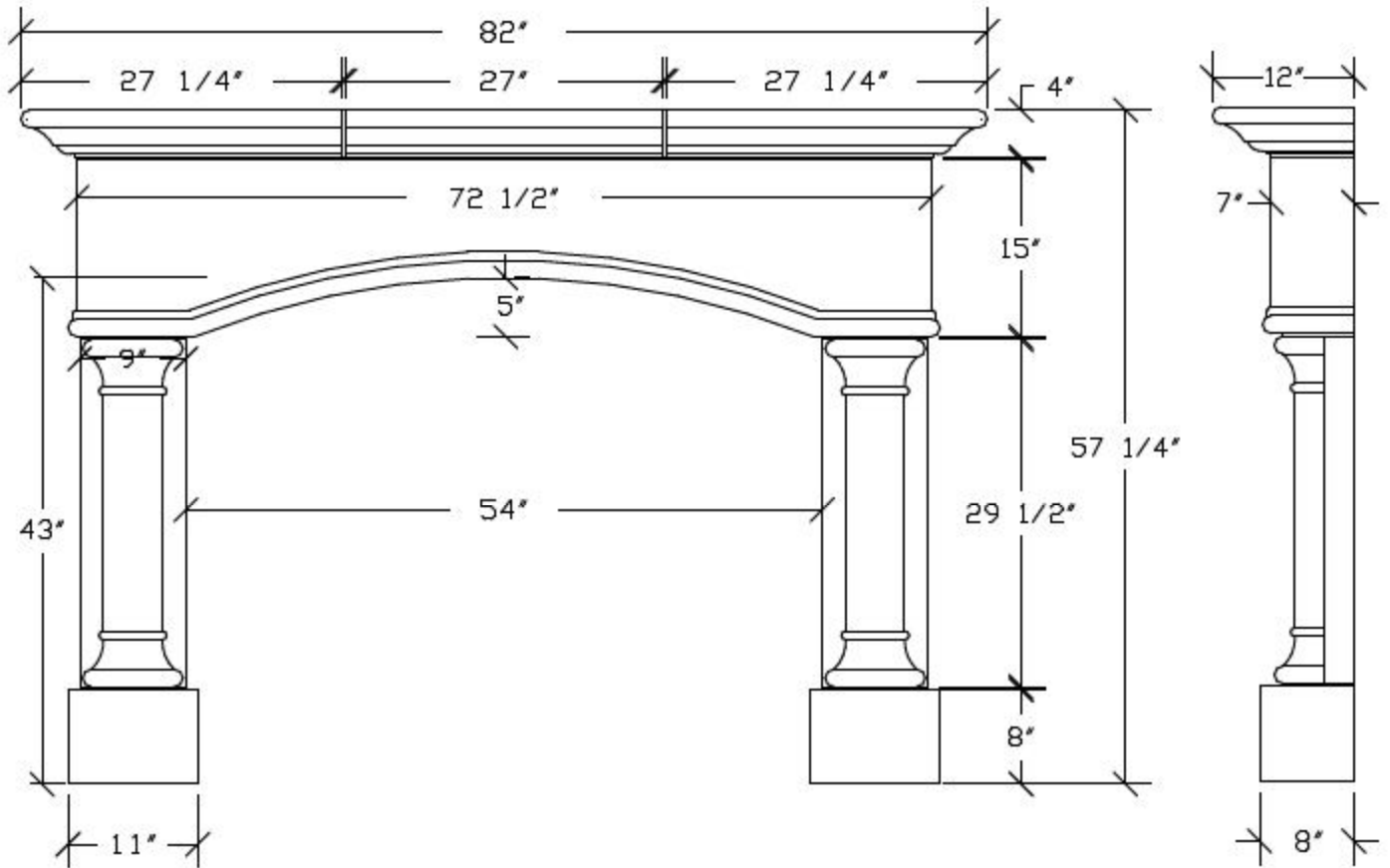
FP-29

CAST STONE FIREPLACES



FP-30
Katherine

CAST STONE FIREPLACES



FP-31

Julia

The Ark Cast Stone 713-695-2001

Jan 2013



FP-31

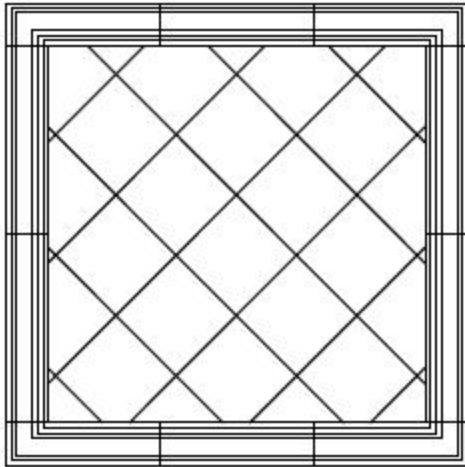
Julia

The Ark Cast Stone 713-695-2001

Jan 2013

- 55 -

CAST STONE OVER MANTELS



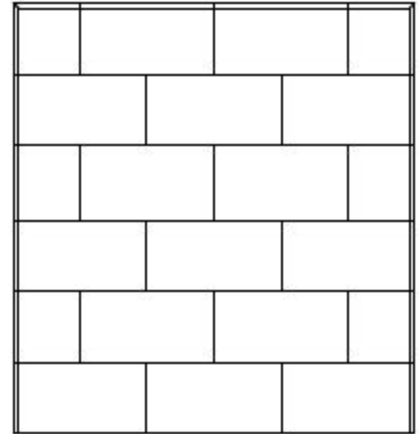
Full Square Frame with Diamond Cladding
(TDC)

Frame Profiles:

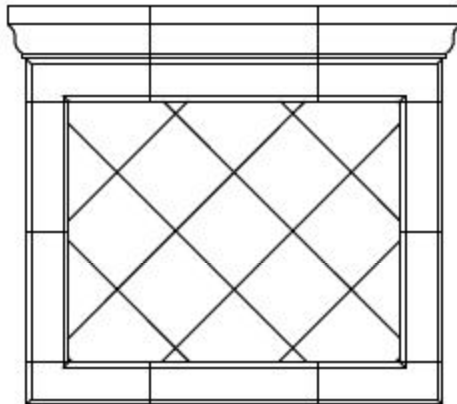


See Tables at end of catalog
for sizes and available radii

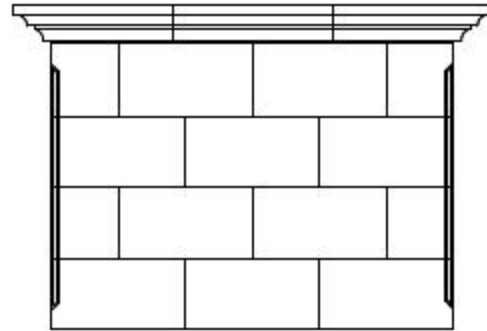
See Headers pages
for alternate Headers



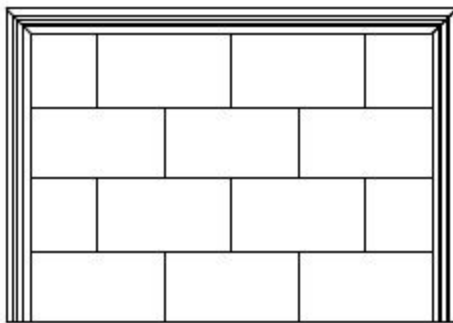
Square Cladding with Chamfer



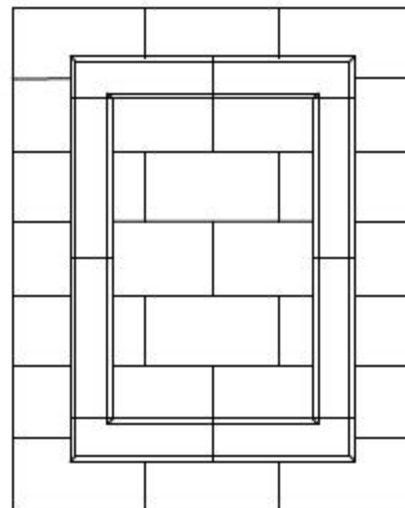
Full Frame with Header and Diamond Cladding
(DC, BM-15)



Header on Square Cladding with Decorative Edge

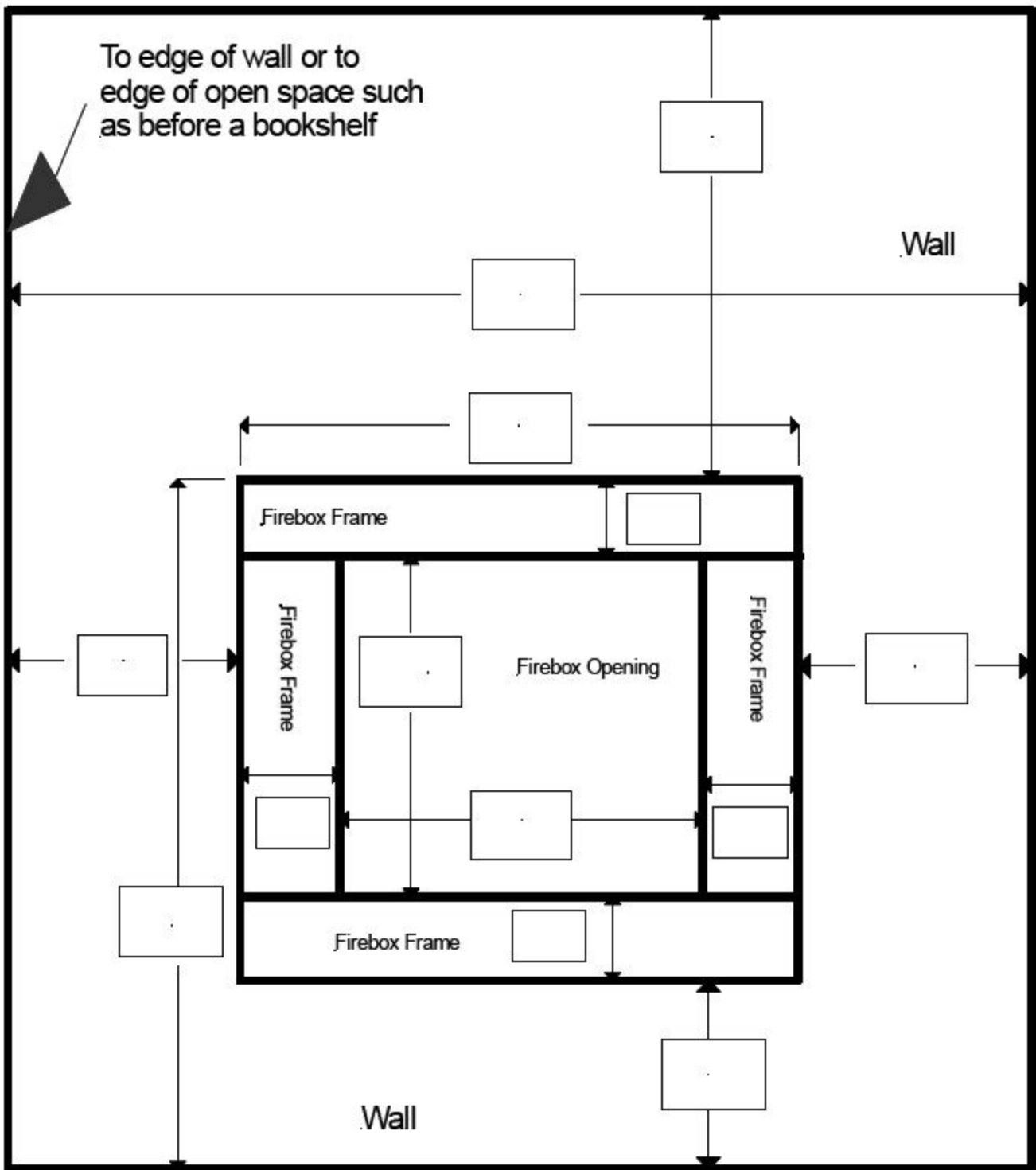


3/4 Frame with Square Cladding
(BM-07)



Full Square Frame over Square Cladding
(DC)

Firebox Dimensions Worksheet



Can the firebox frame be covered? Yes No Notes: _____

Other _____

Desired height to the top of the mantel: _____

Picture taken of fireplace location _____

Options Worksheet

Hearth:

No -

Yes: Standard 3" or Raised ___ or Flush

Note: _____

Flooring:

Type of flooring (circle one): Tile Wood Stone Other

Thickness of flooring: _____

Note: _____

Overmantel:

No -

Yes - Style: _____ Size: _____

Note: _____

Finishes:

Cast Stone -

Mediterranean-

Old World: Light- Medium- Heavy-

Color:

Texas Limestone – R103R -

Renaissance – LB107R -----

Oyster – PNK08R -----

Fawn – S111R -----

Light Buff – LB02R -----



**FIREPLACE SURROUNDS
CATALOG**

713.695.2001

Fax: 713.692.6803

www.arkconcrete.com

**713 Lehman St
Houston, Texas 77018**

GHBA member since 1998



Jan. 2013