



CAST STONE

FIREPLACE SURROUNDS CATALOG

713.695.2001

Fax: 713.692.6803

www.arkconcrete.com

713 Lehman St
Houston, Texas 77018

GHBA member since 1998

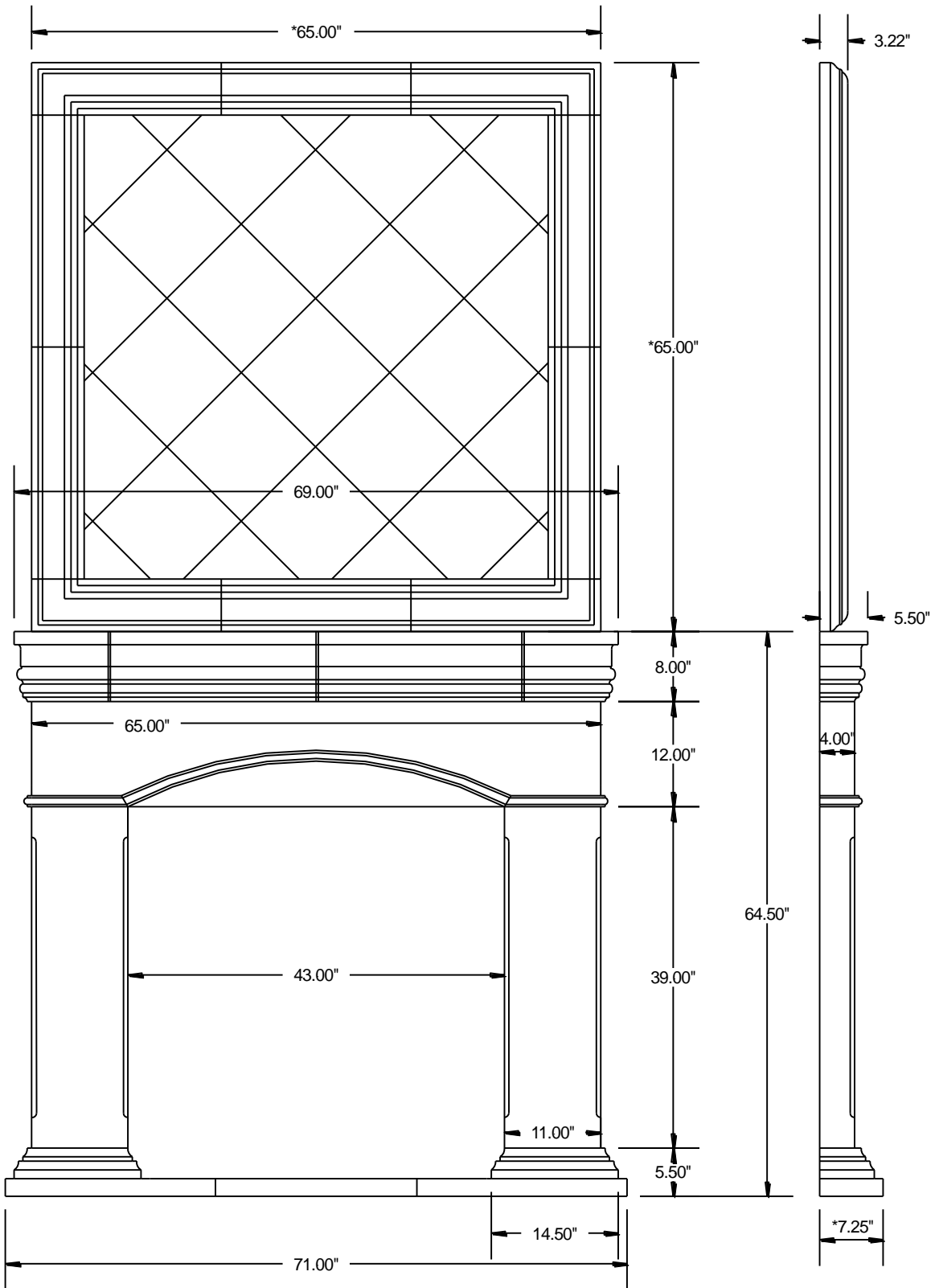


Jan. 2013

Cast Stone Fireplace Surrounds Index

<u>Product</u>	<u>Pg</u>	<u>Product</u>	<u>Pg</u>
FP-1 -----	1	FP-18-----	33
FP-2 -----	3	FP-19-----	34
FP-3 -----	5	FP-20-----	36
FP-4 -----	7	FP-21-----	37
FP-5 -----	10	FP-22-----	38
FP-6 -----	12	FP-23-----	40
FP-7 -----	14	FP-24-----	42
FP-8 -----	16	FP-25-----	44
FP-9 -----	18	FP-26-----	46
FP-10-----	21	FP-27-----	48
FP-11-----	22	FP-28-----	50
FP-12-----	23	FP-29-----	52
FP-13-----	24	FP-30-----	53
FP-14-----	26	FP-31-----	54
FP-15-----	27	Over Mantels -----	56
FP-16-----	29	Firebox Dimensions Worksheet ---	57
FP-17-----	31	Options Worksheet -----	58

CAST STONE FIREPLACES



* Adjustable

FP - 1

Cladding can be added to surround the firebox



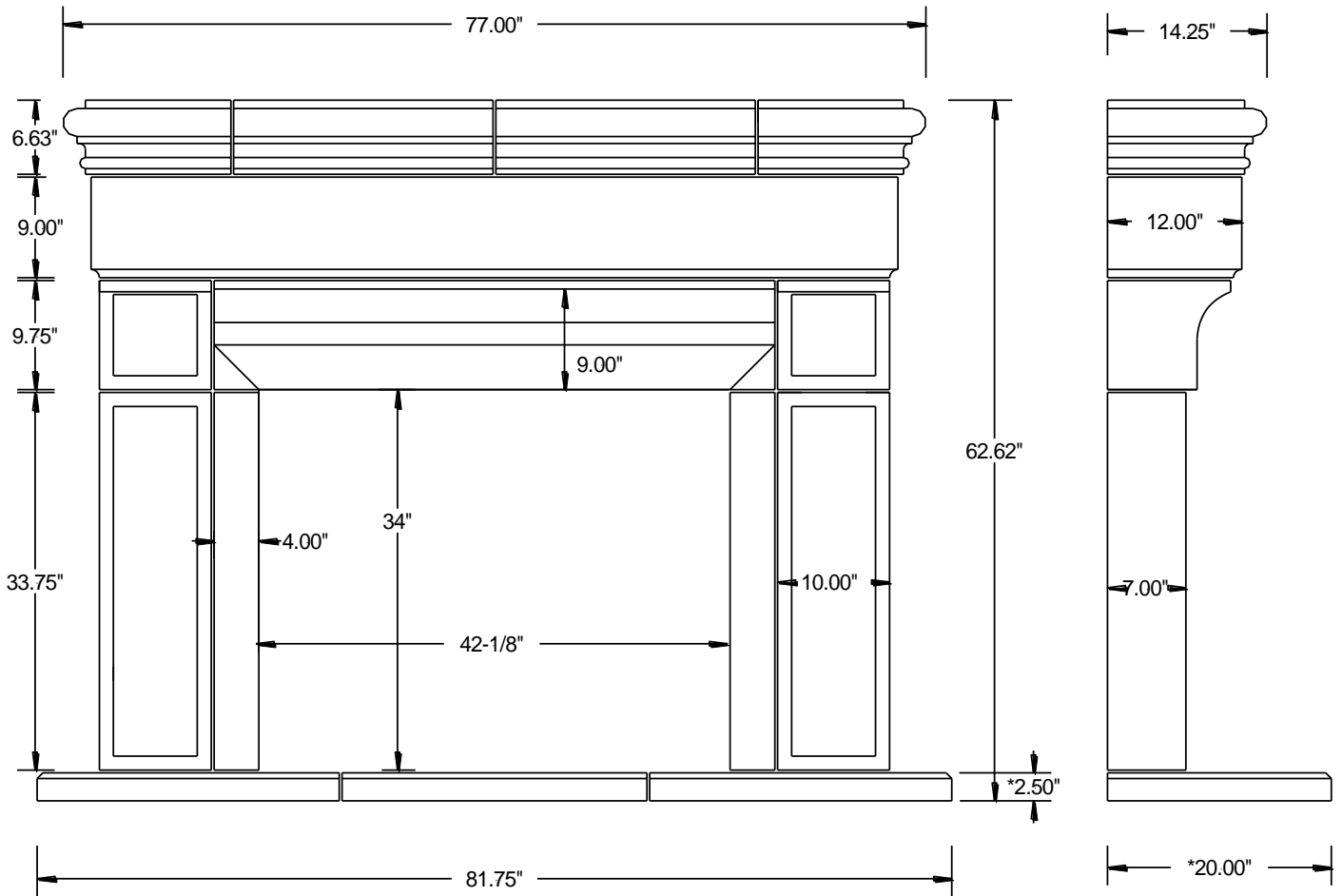
FP-1



FP - 1



CAST STONE FIREPLACES



* Adjustable

FP-2

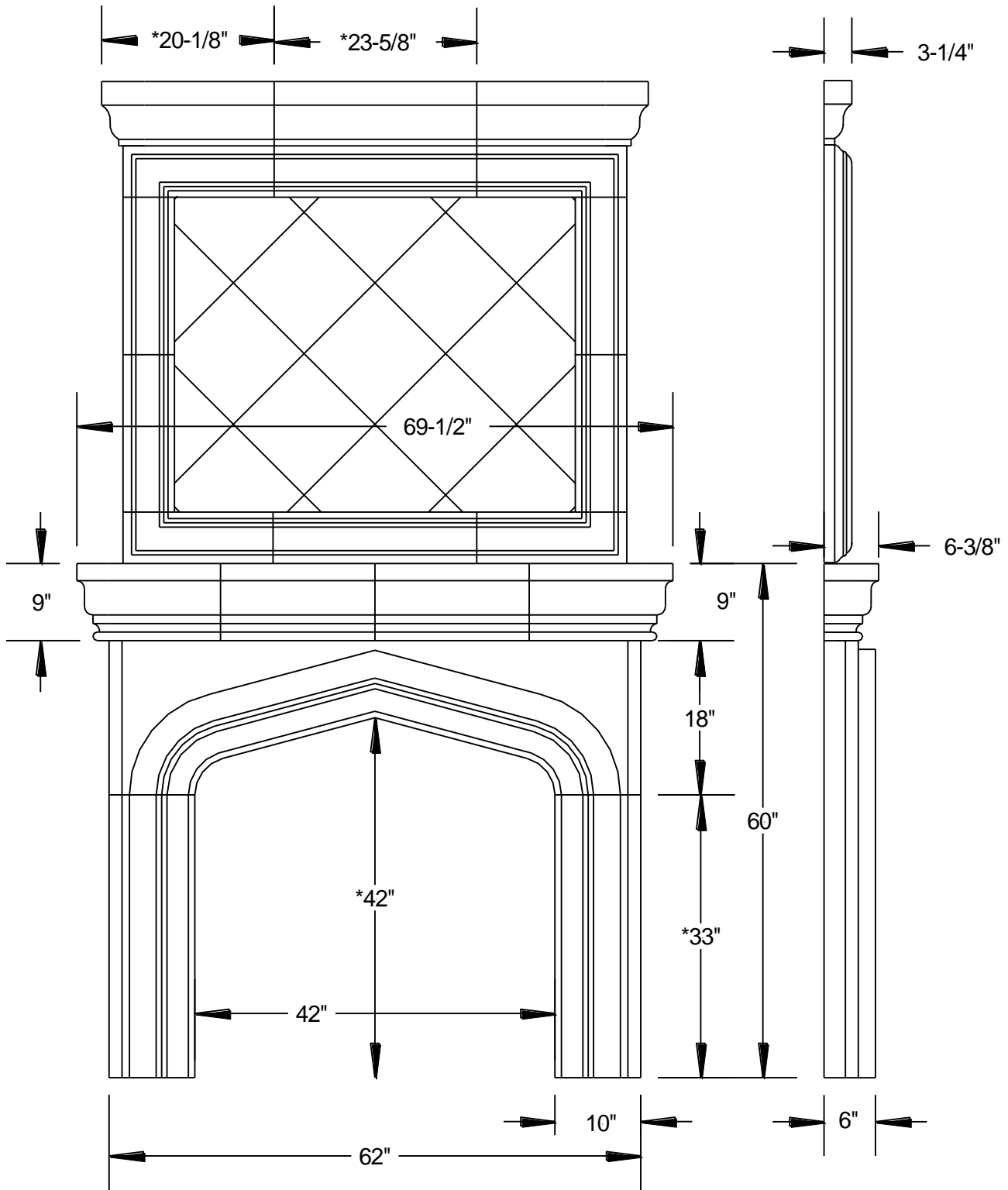
Cladding can be added to surround the firebox



FP-2



CAST STONE FIREPLACES



* Adjustable

FP - 3

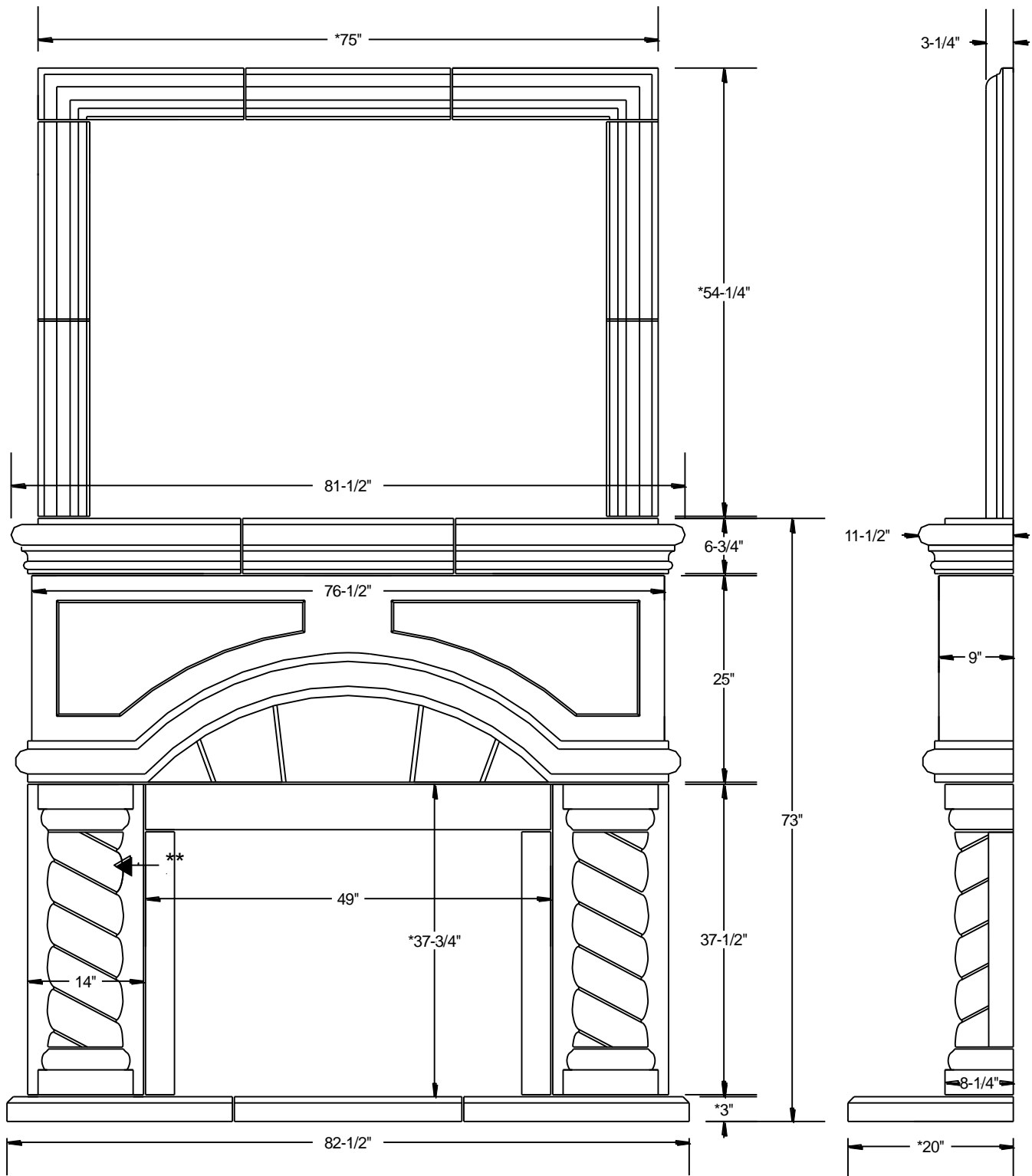
Cladding can be added to surround the firebox



FP-3

Note: Overmantel optional

CAST STONE FIREPLACES



FP - 4

**Option: straight or tapered columns

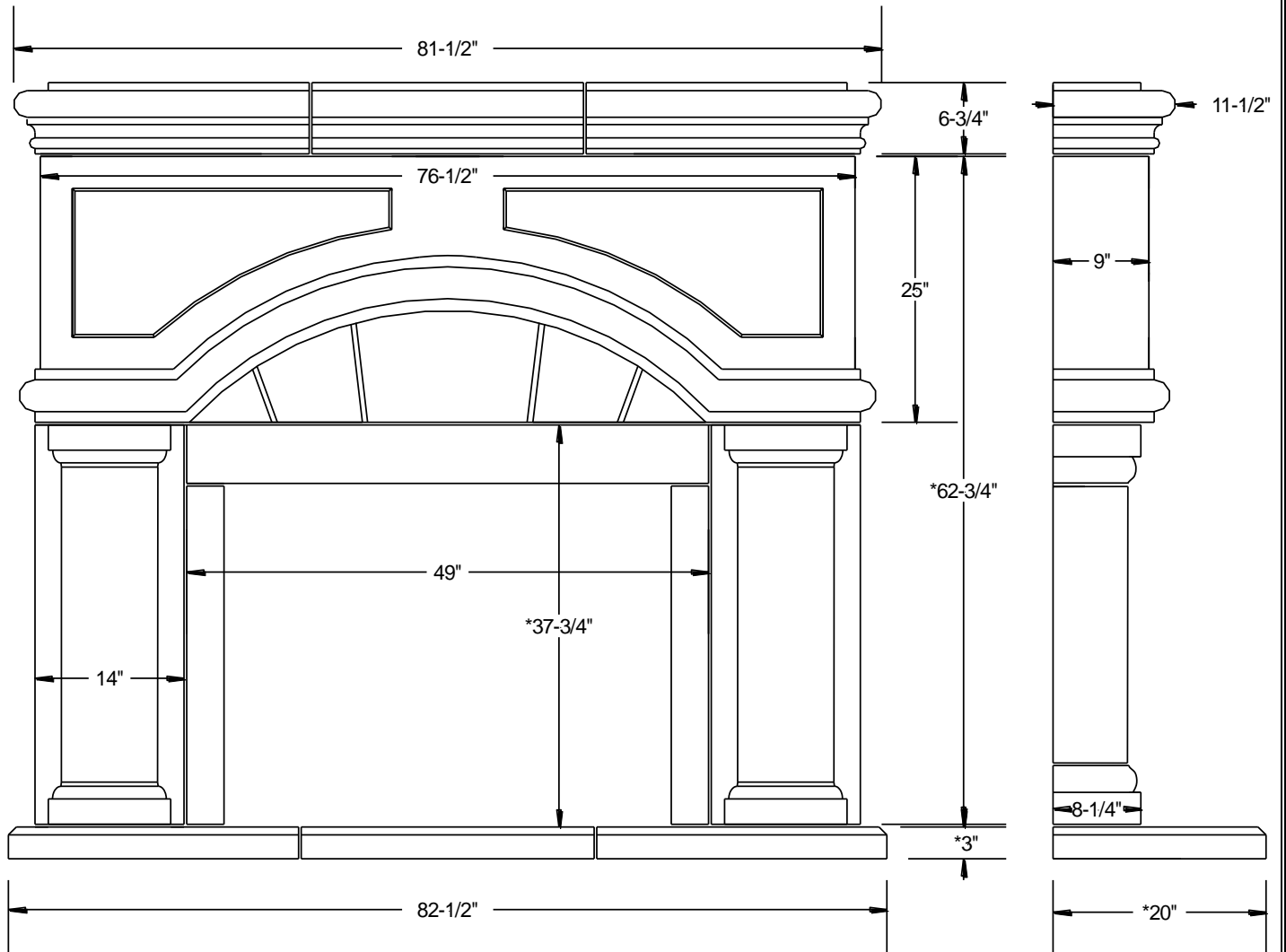
* Adjustable



FP-4

Note: Decorative Keystone is optional

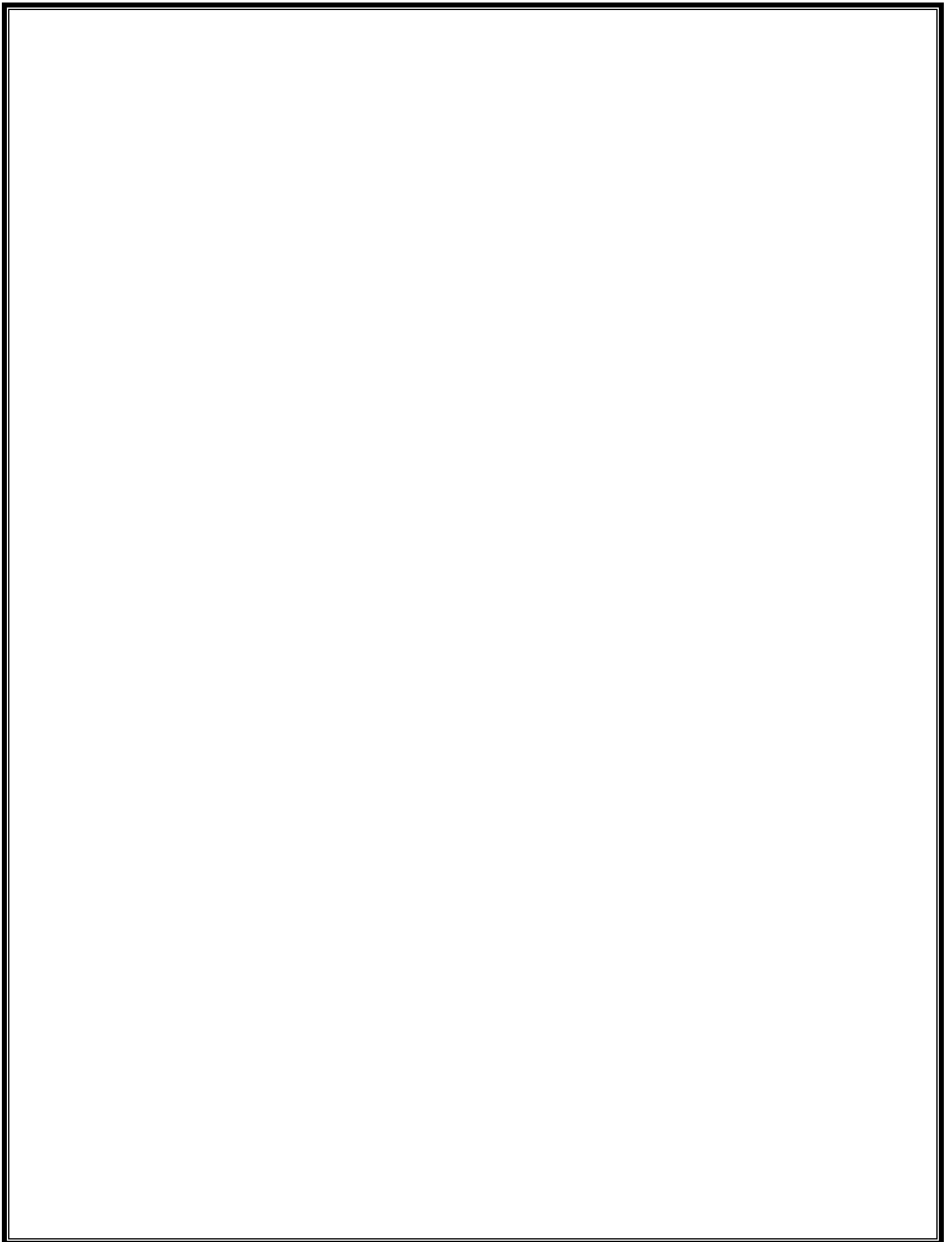
CAST STONE FIREPLACES



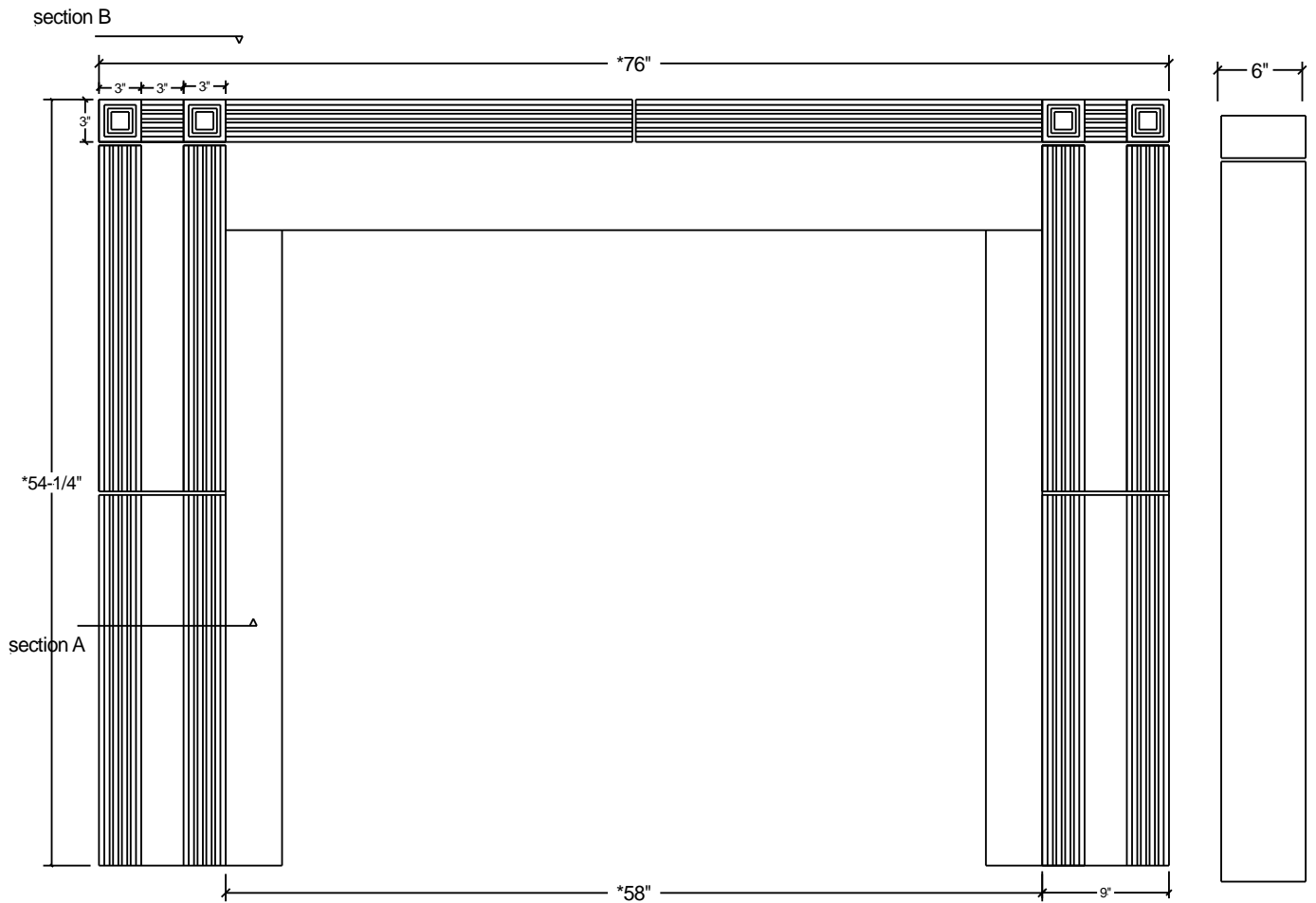
* Adjustable

FP - 4 - with straight columns

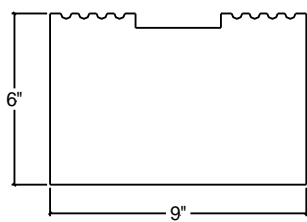
Can use 8" or 10" tapered or straight columns



CAST STONE FIREPLACES

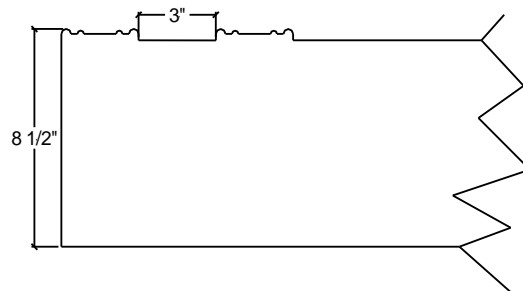


section A



* Adjustable

section B



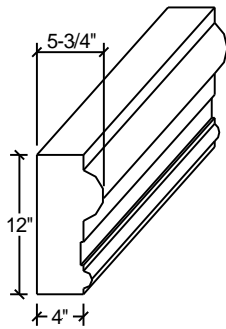
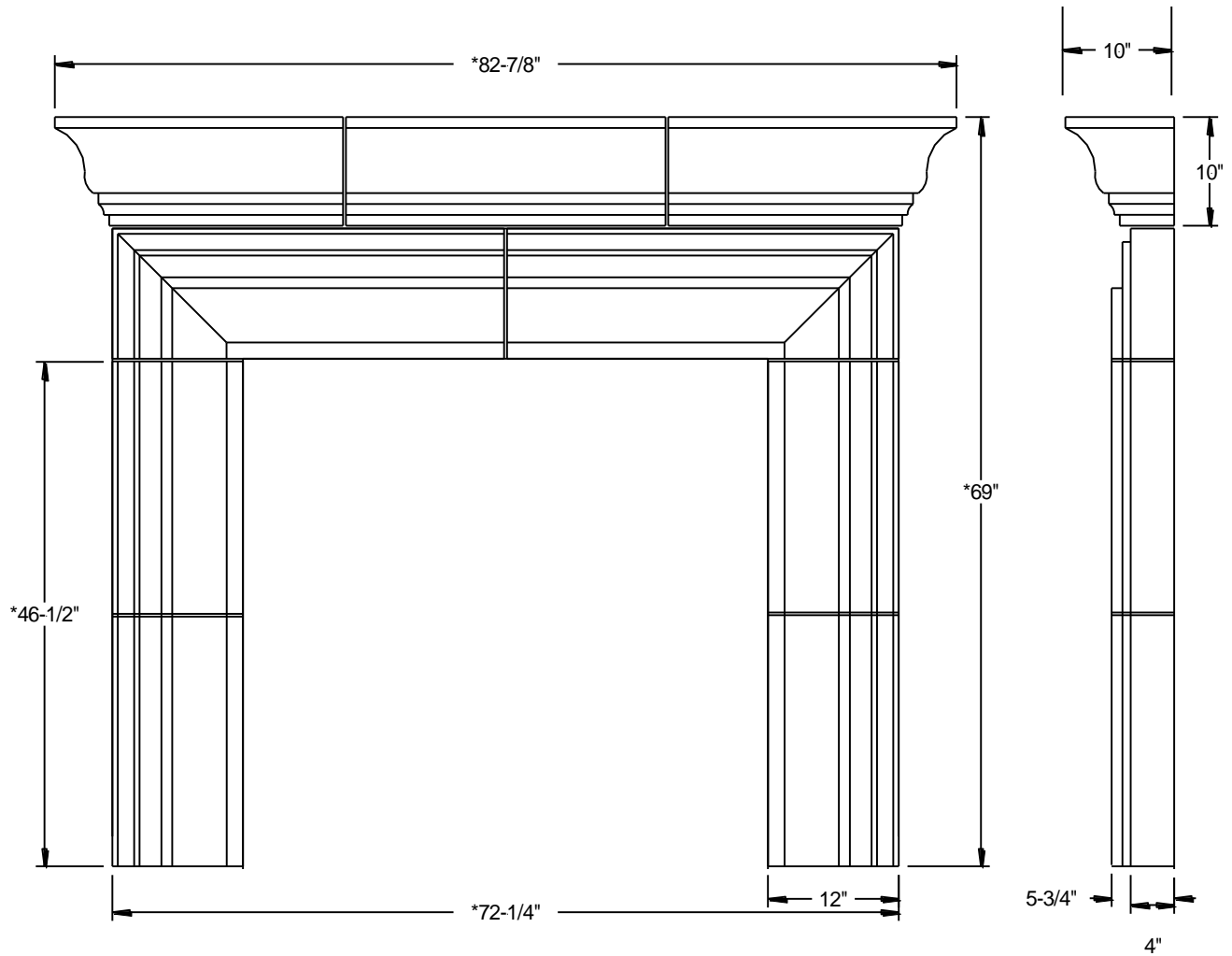
FP - 5

Cladding can be added to surround the firebox



FP-5

CAST STONE FIREPLACES



* Adjustable

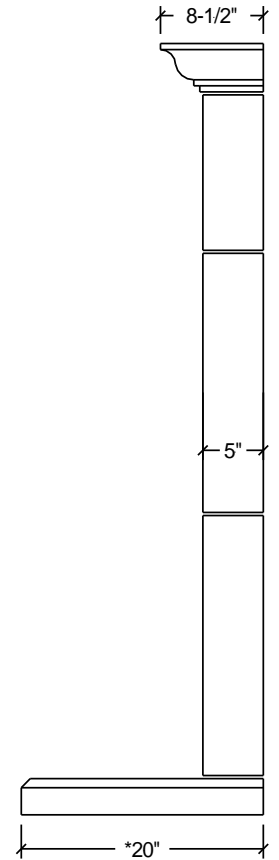
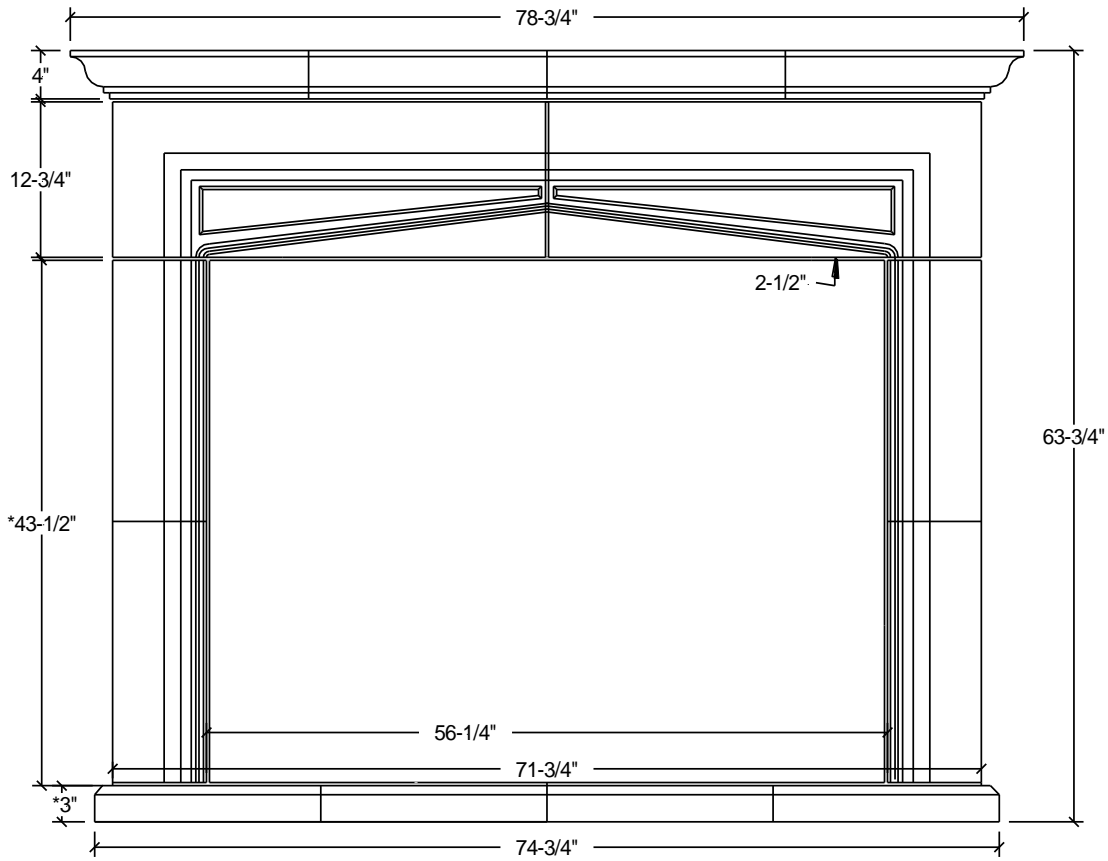
FP-6

Cladding can be added to surround the firebox



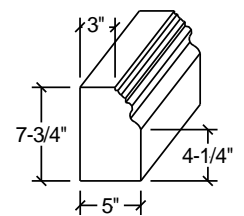
FP-6

CAST STONE FIREPLACES



* Adjustable

Leg Profile



FP - 7

Cladding can be added to surround the firebox

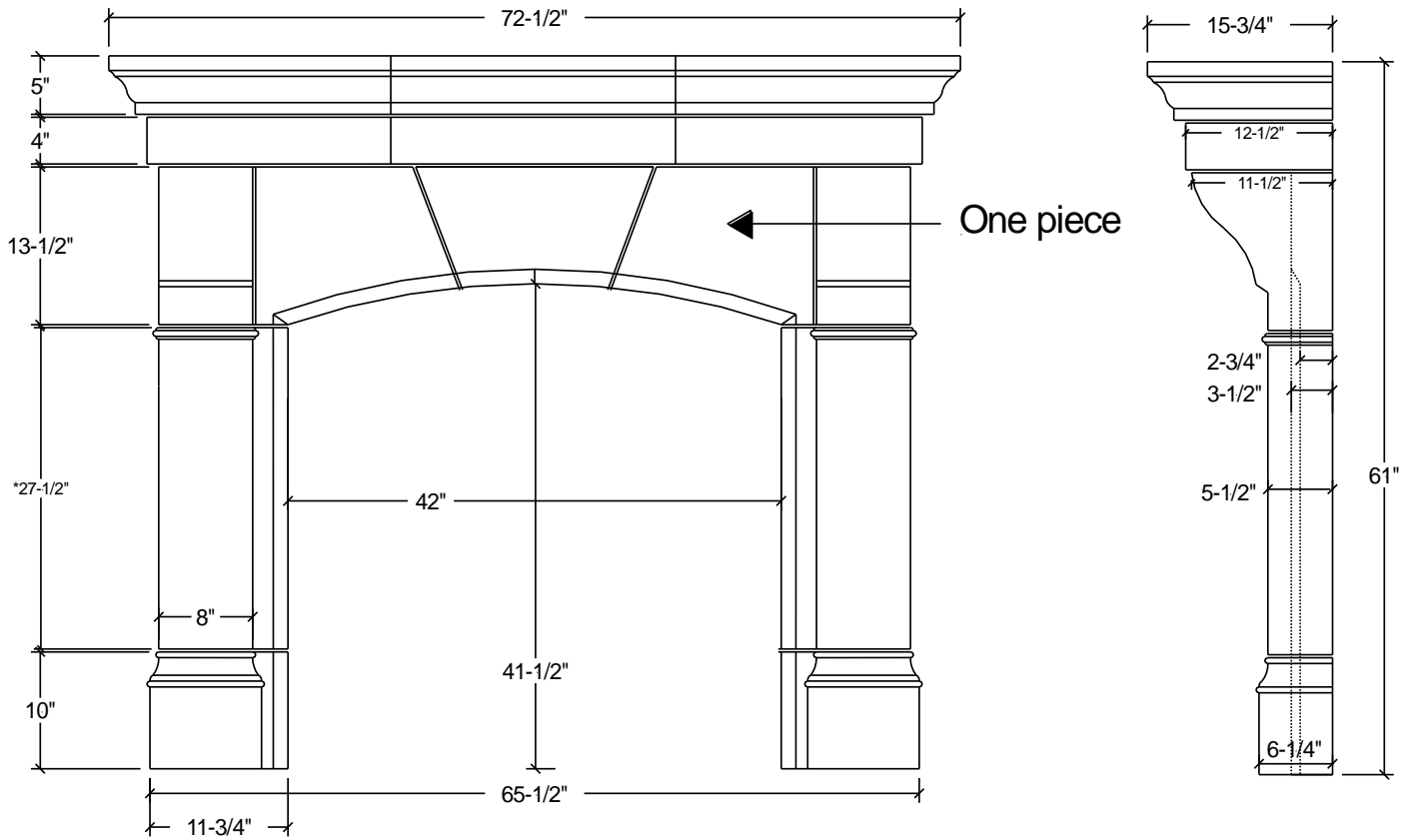


FP-7



FP - 7

CAST STONE FIREPLACES



* Adjustable

FP - 8

Cladding can be added to surround the firebox

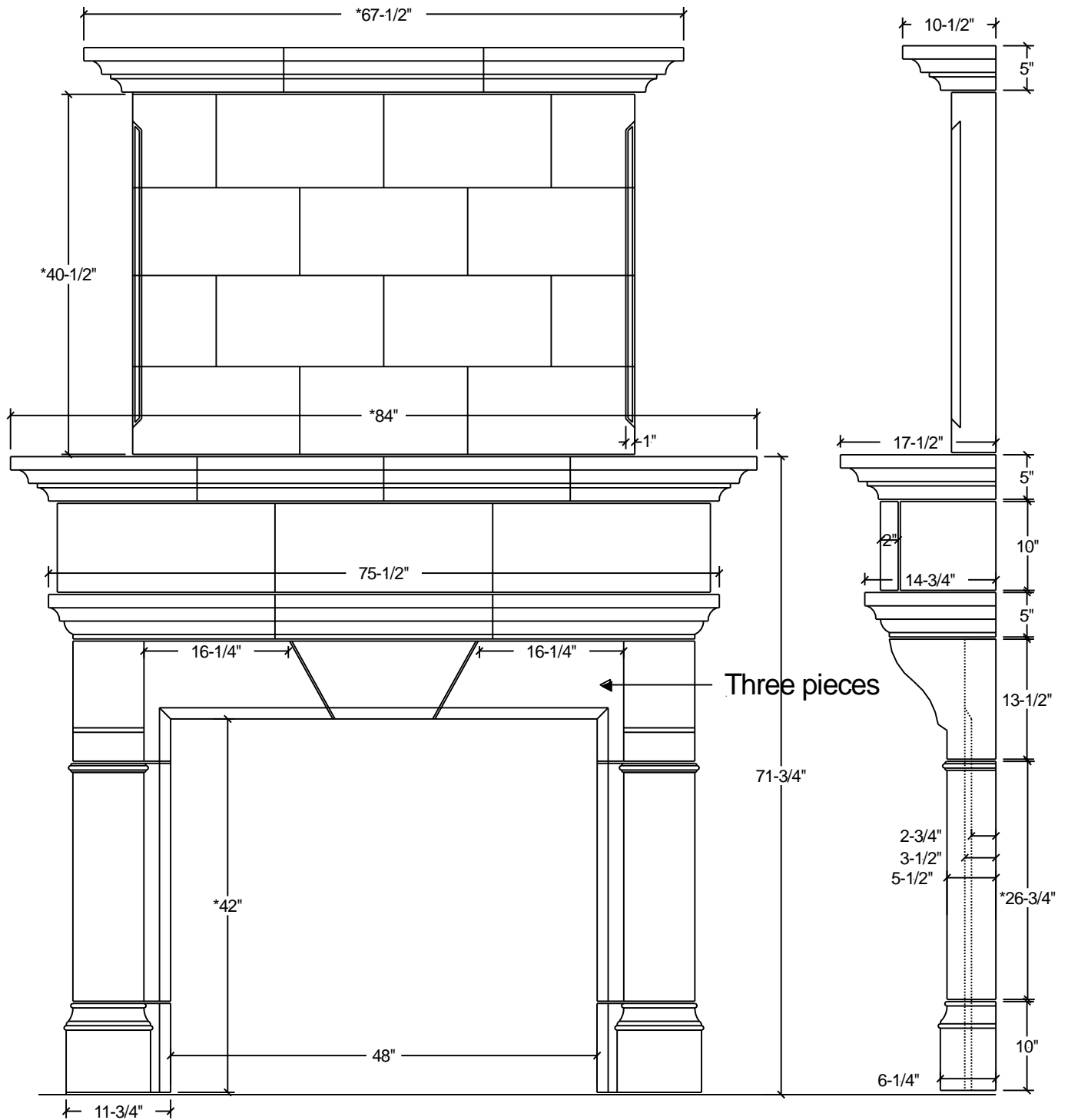


FP-8



FP-8

CAST STONE FIREPLACES



FP - 9

* Adjustable

Cladding can be added to surround the firebox

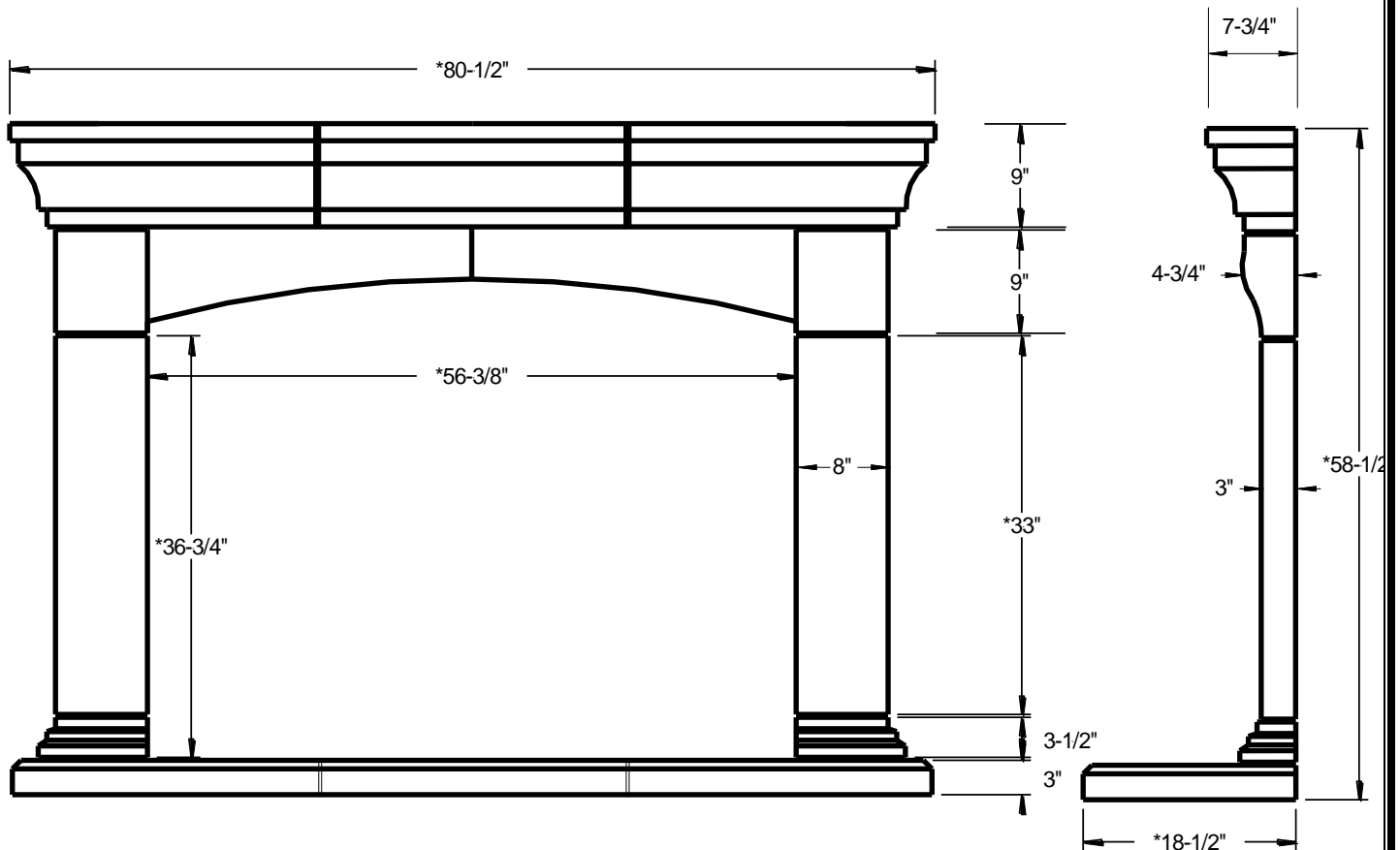




FP-9

Note: Overmantel and wall cladding optional

CAST STONE FIREPLACES



* Adjustable

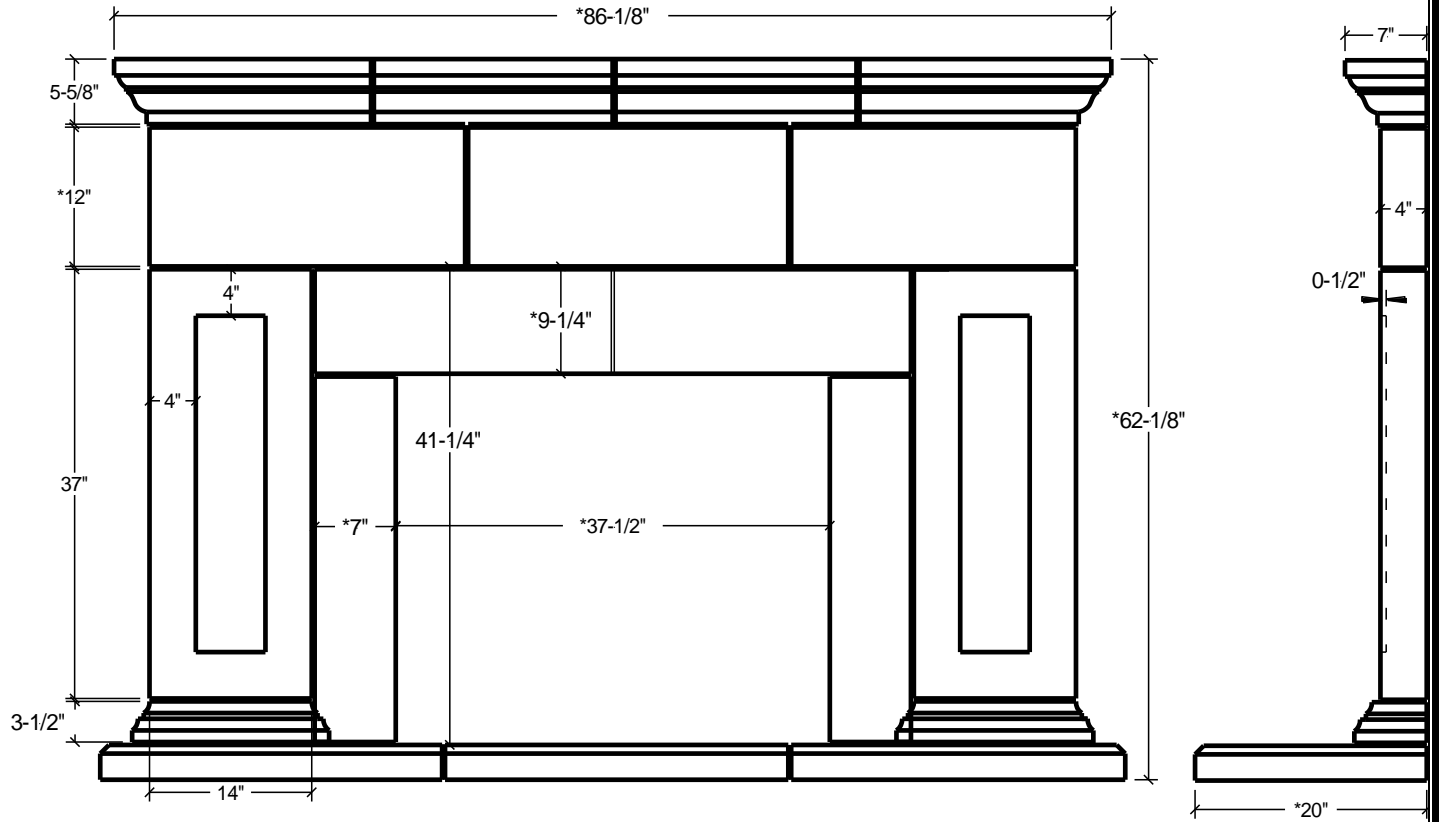
FP-10

Cladding can be added to surround the firebox





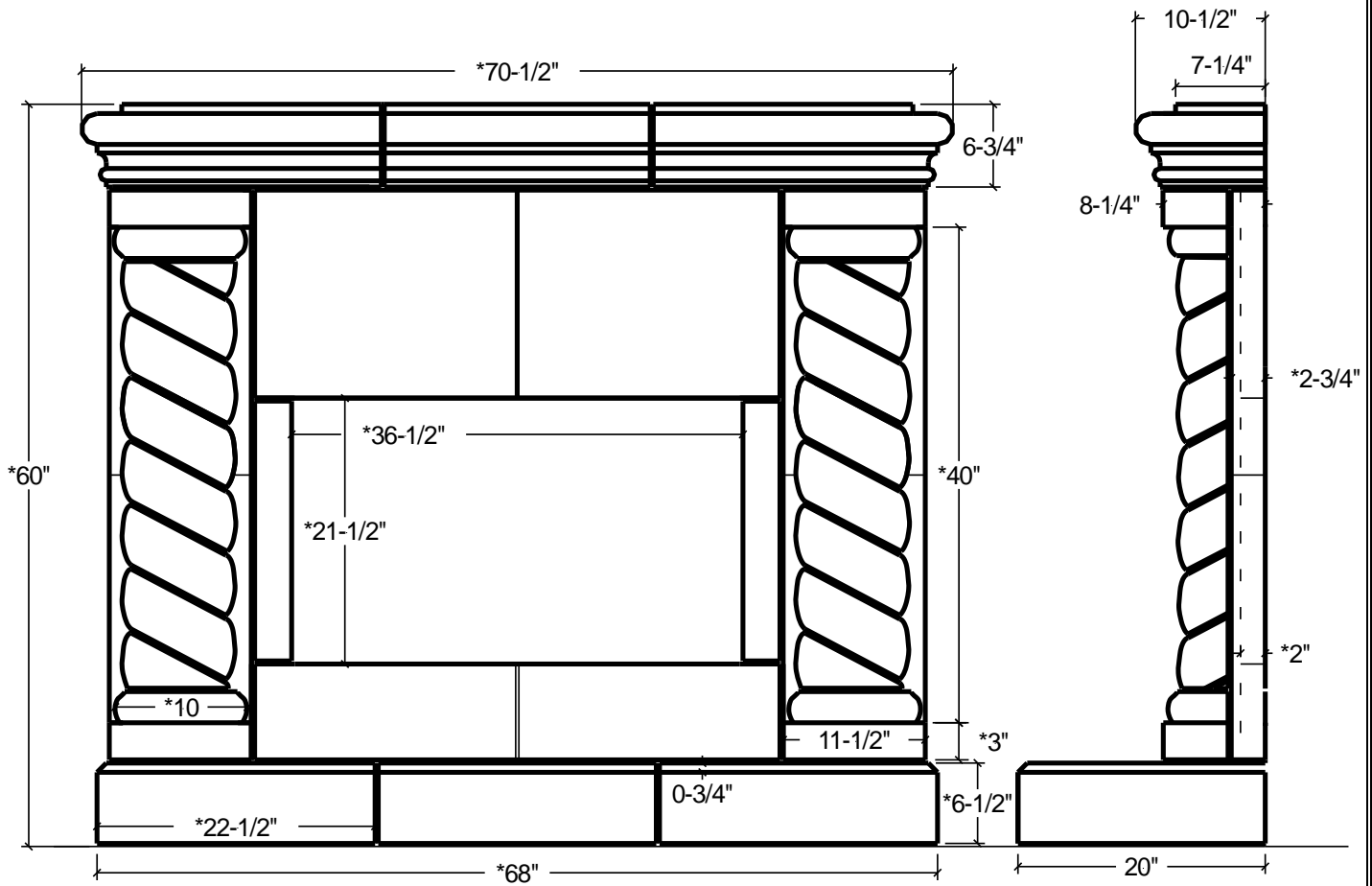
CAST STONE FIREPLACES



* Adjustable

FP-11

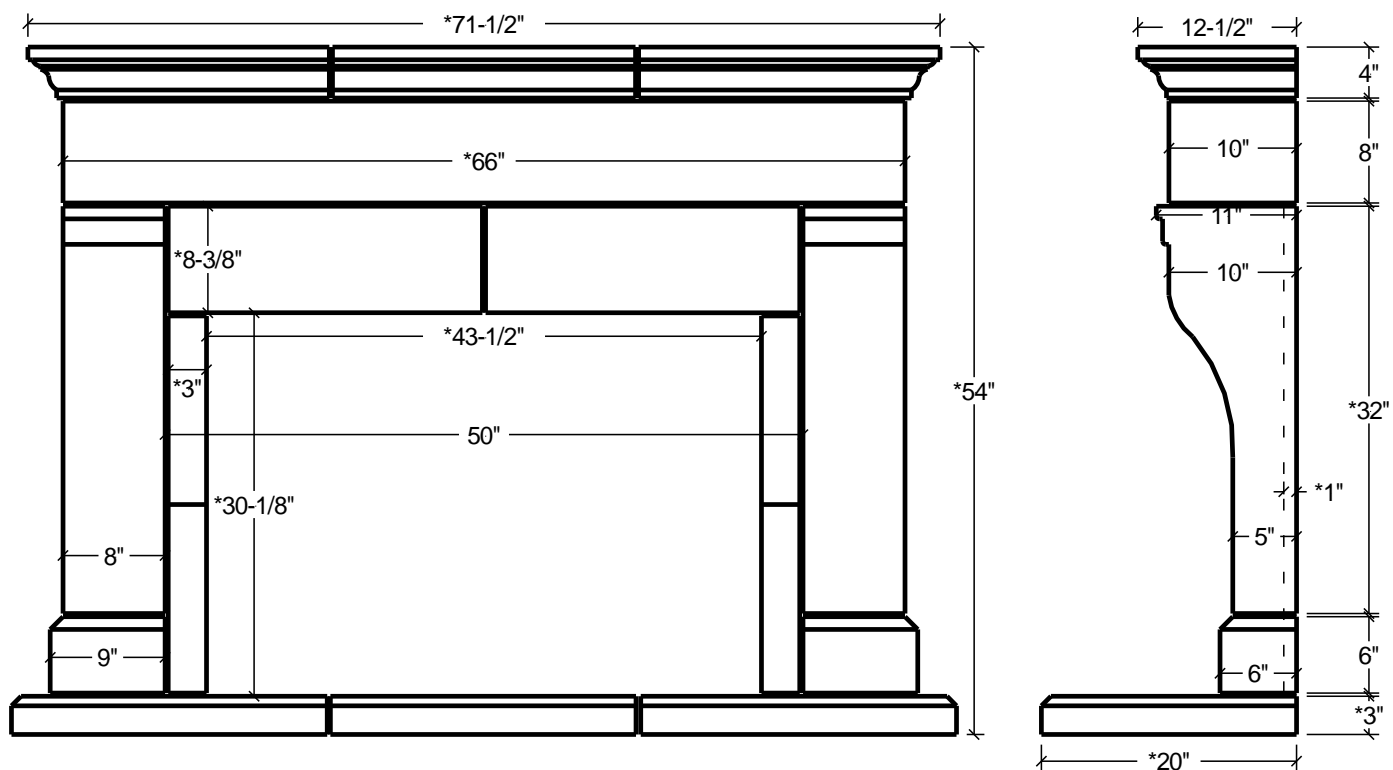
CAST STONE FIREPLACES



* Adjustable

FP-12

CAST STONE FIREPLACES



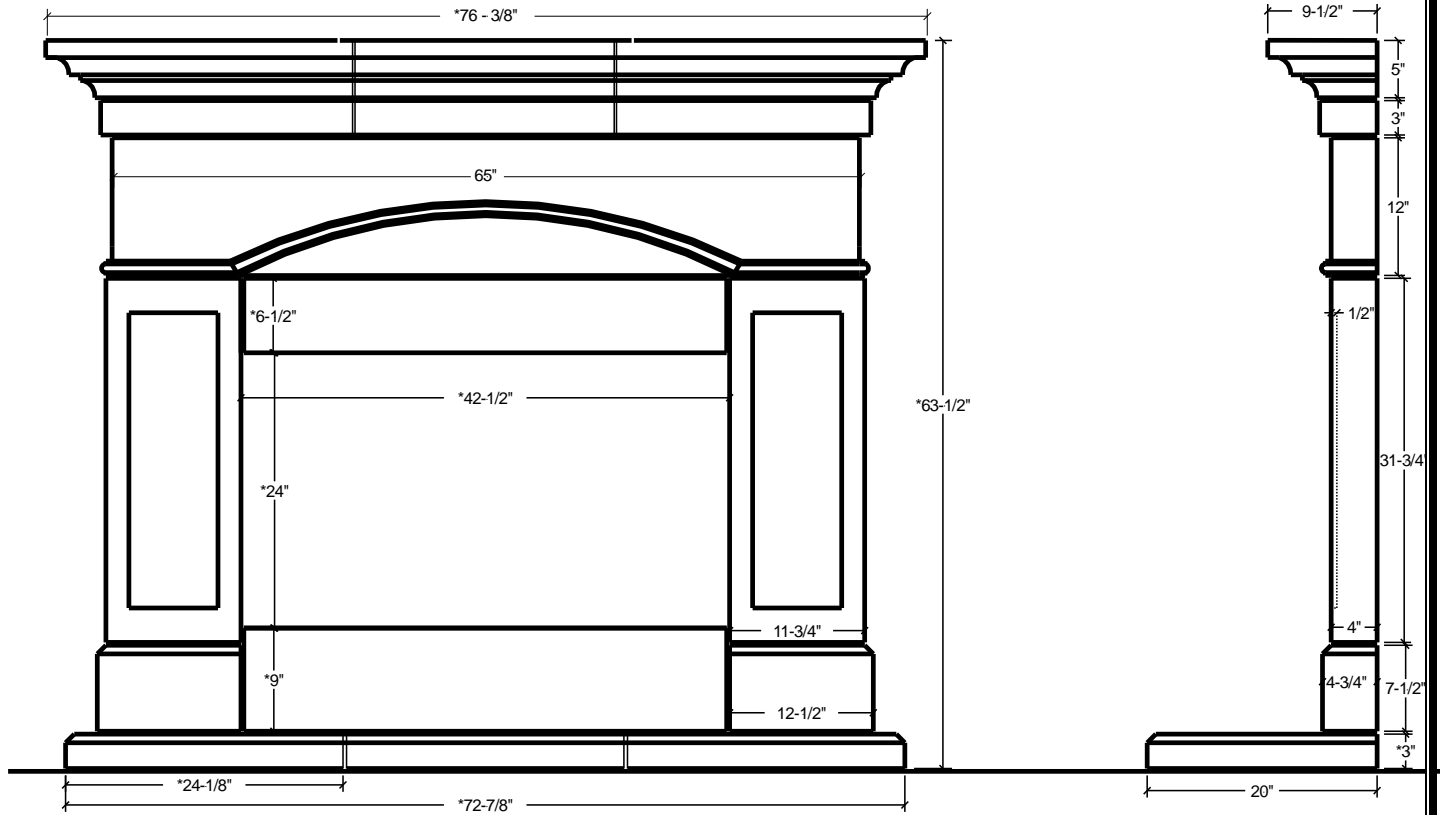
* Adjustable

FP-13



FP-13

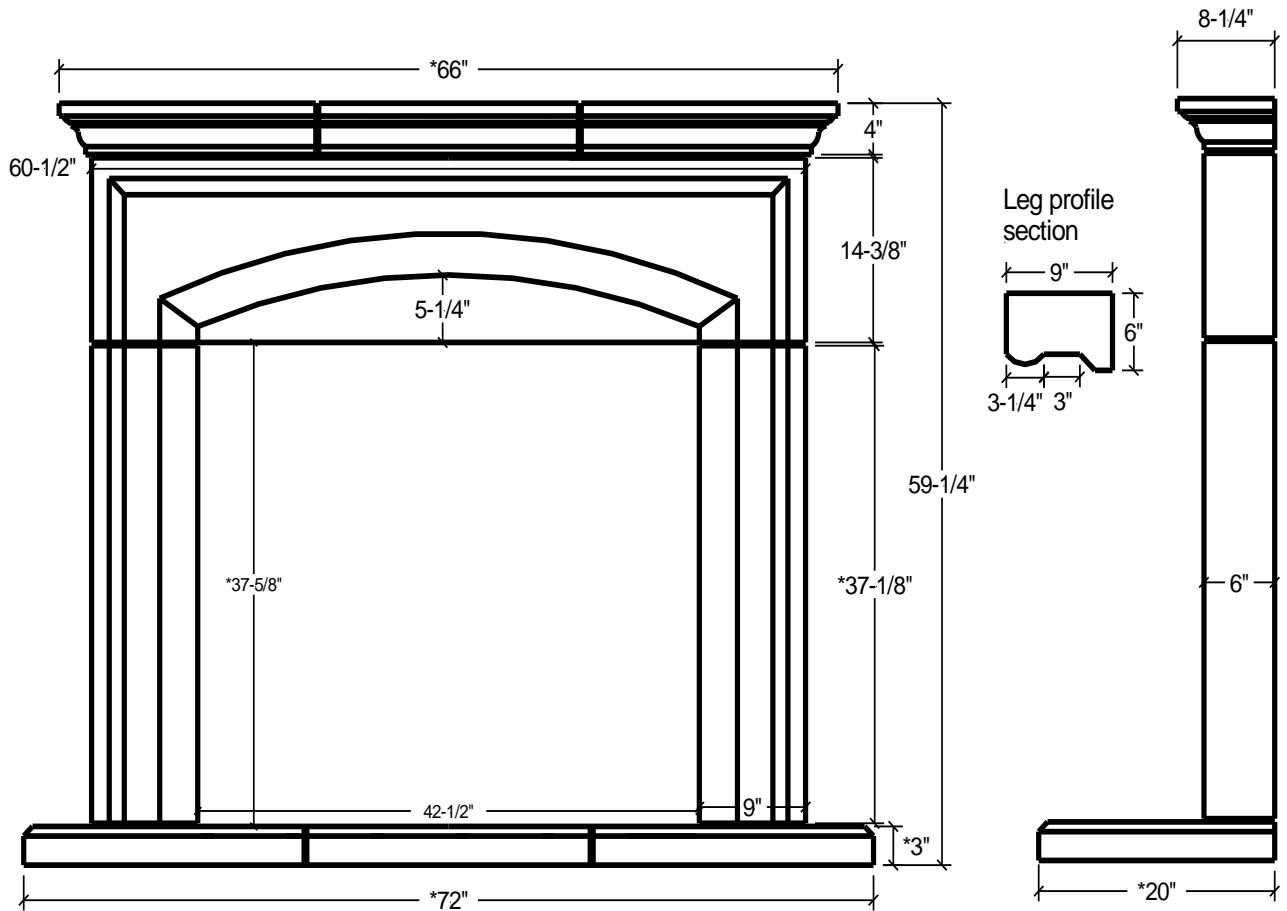
CAST STONE FIREPLACES



* Adjustable

FP-14

CAST STONE FIREPLACES



* Adjustable

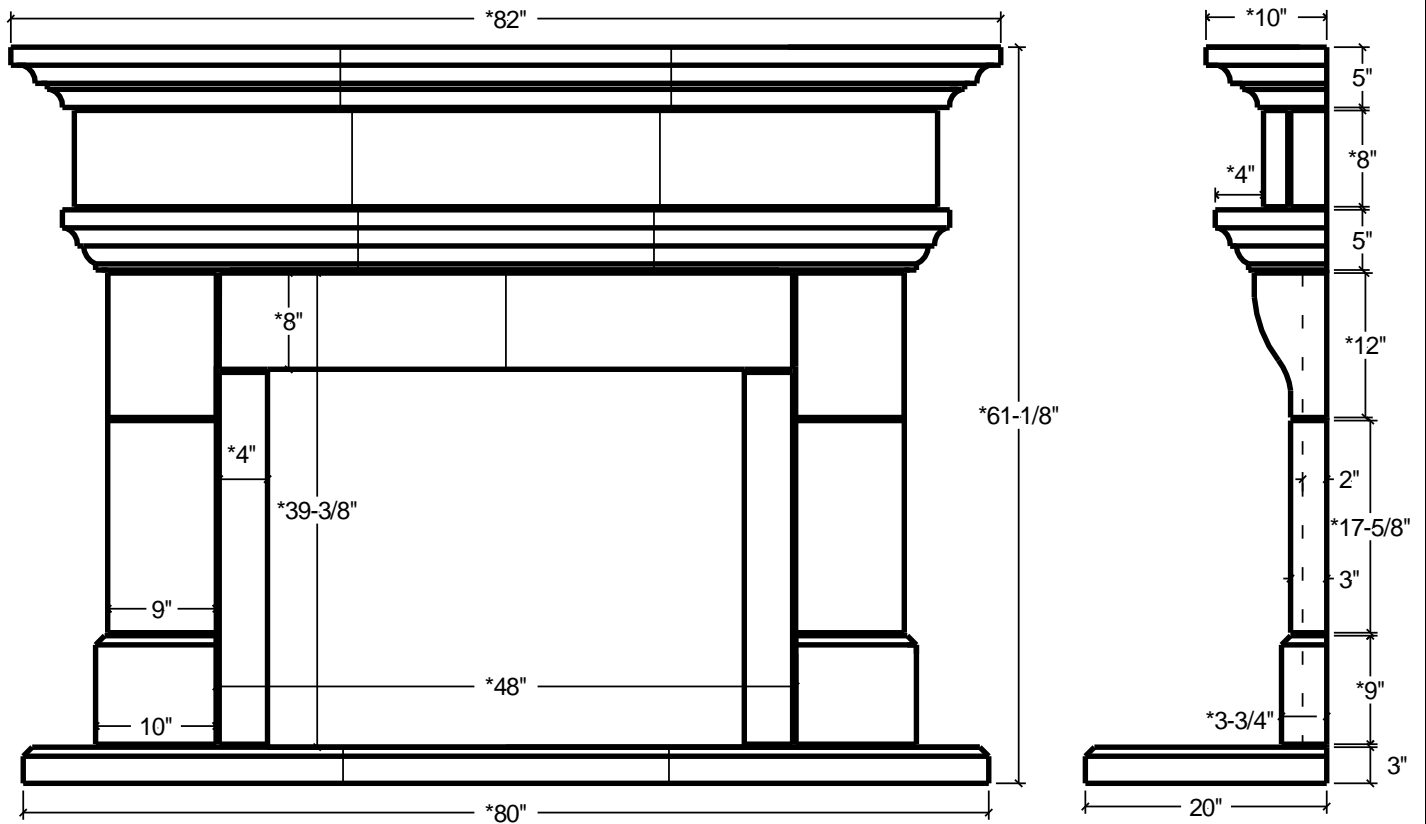
FP-15

Cladding can be added to surround the firebox



FP-15

CAST STONE FIREPLACES



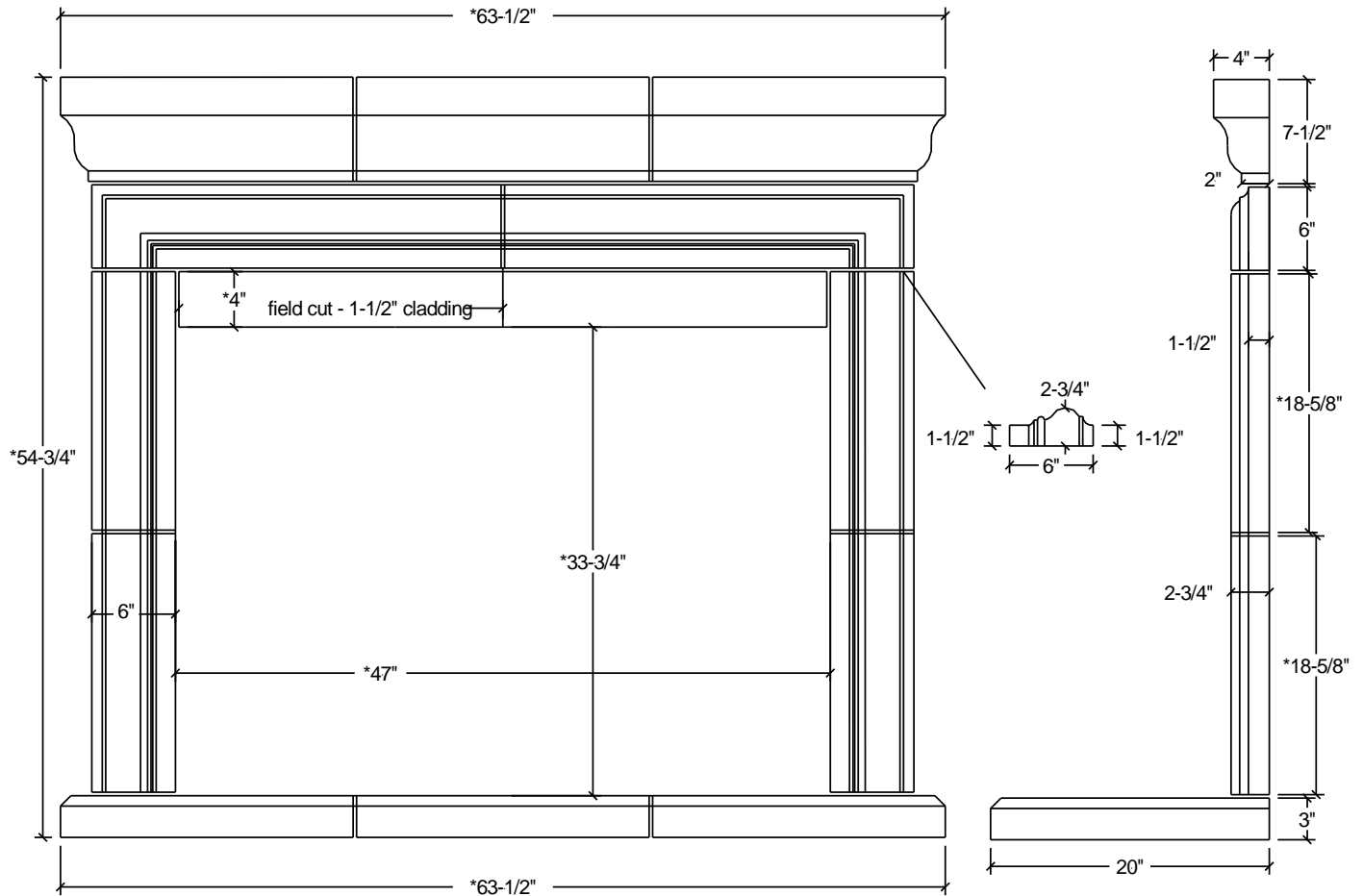
* Adjustable

FP-16



FP-16

CAST STONE FIREPLACES



* Adjustable

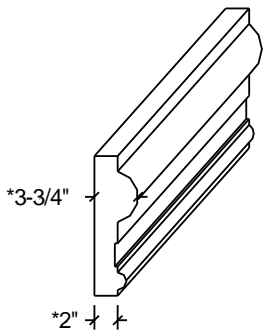
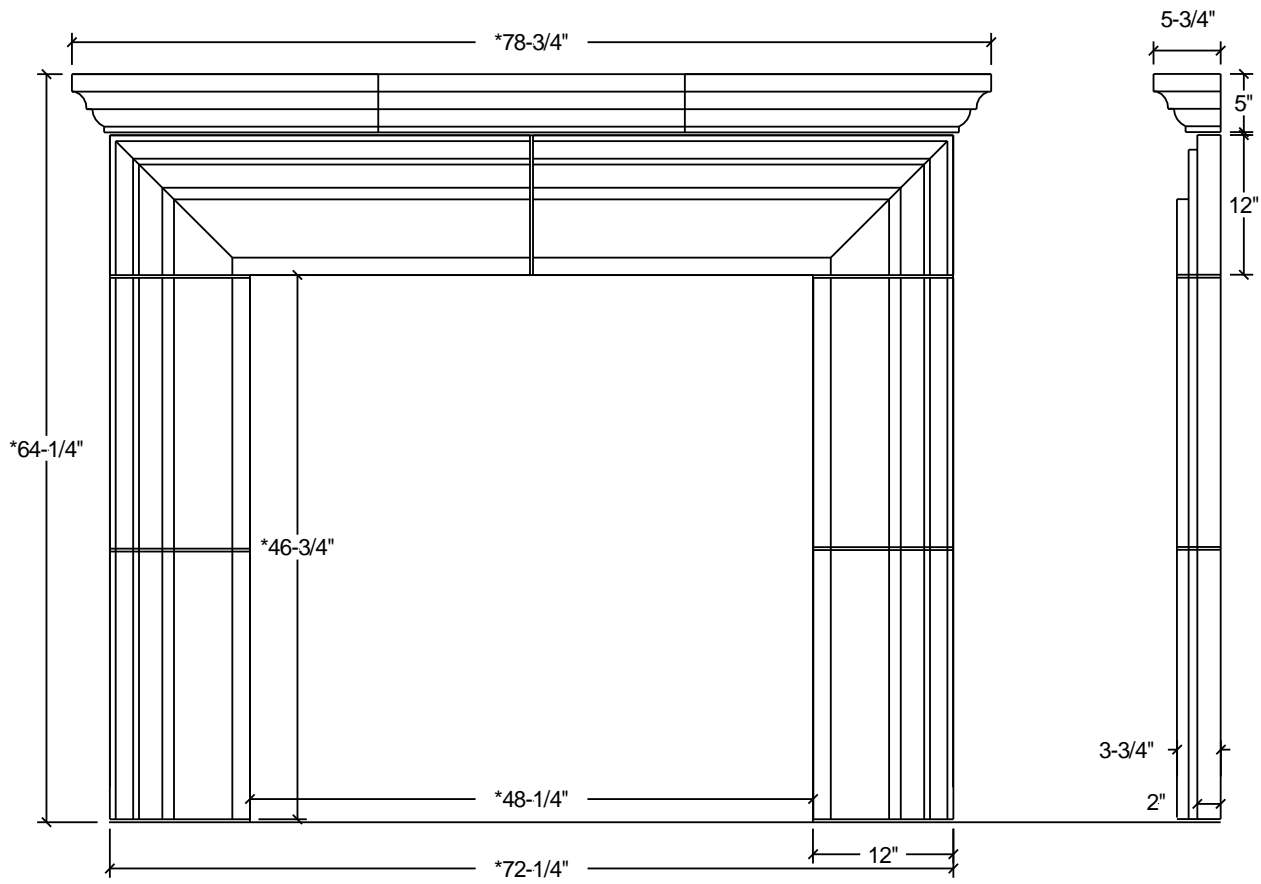
FP-17

Cladding can be added to surround the firebox



FP-17

CAST STONE FIREPLACES



* Adjustable

Cladding can be added to surround the firebox

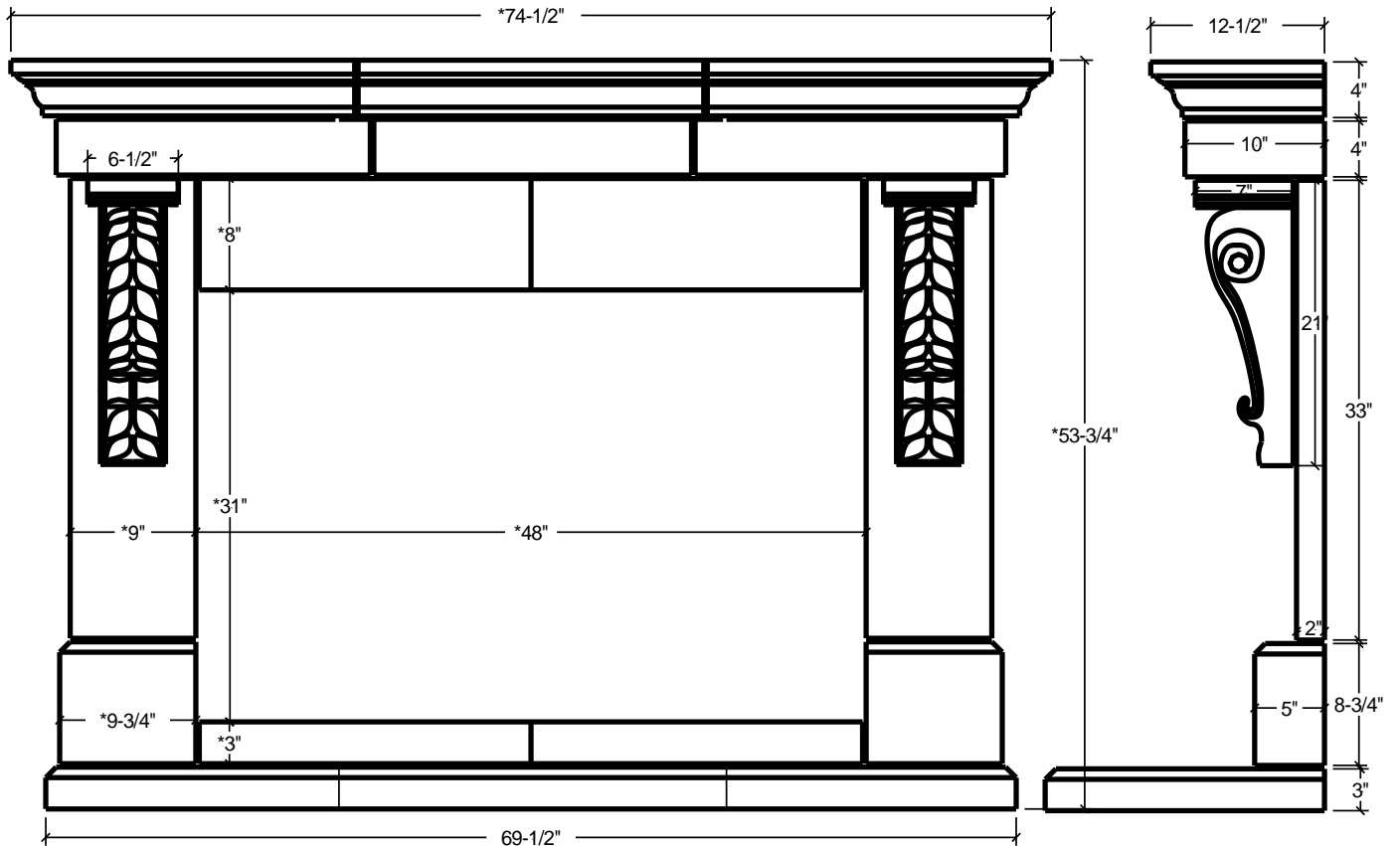
FP-18





FP-18

CAST STONE FIREPLACES



* Adjustable

Corbel drawing is approximate

FP-19

Cladding can be added to surround the firebox



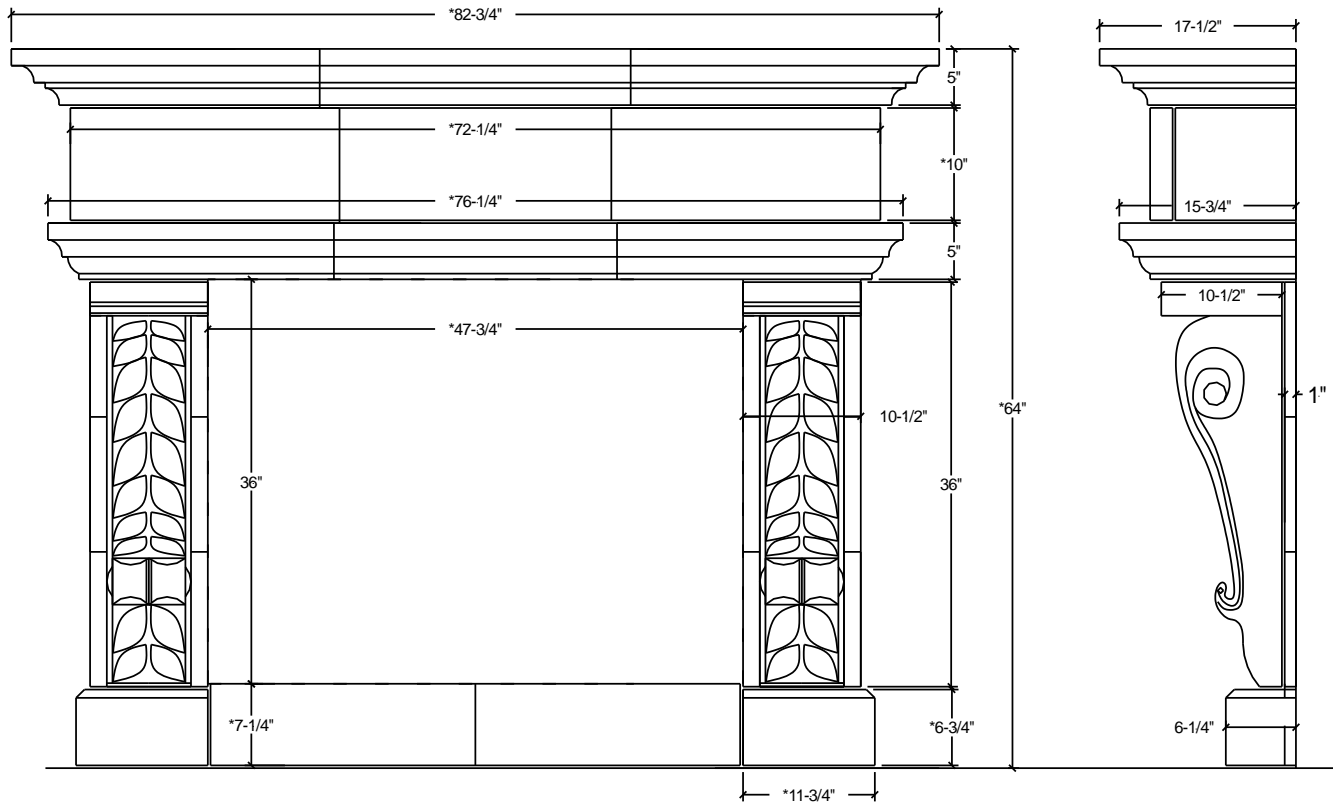
FP-19

Note: Decorative cartouche is optional



FP-19

CAST STONE FIREPLACES



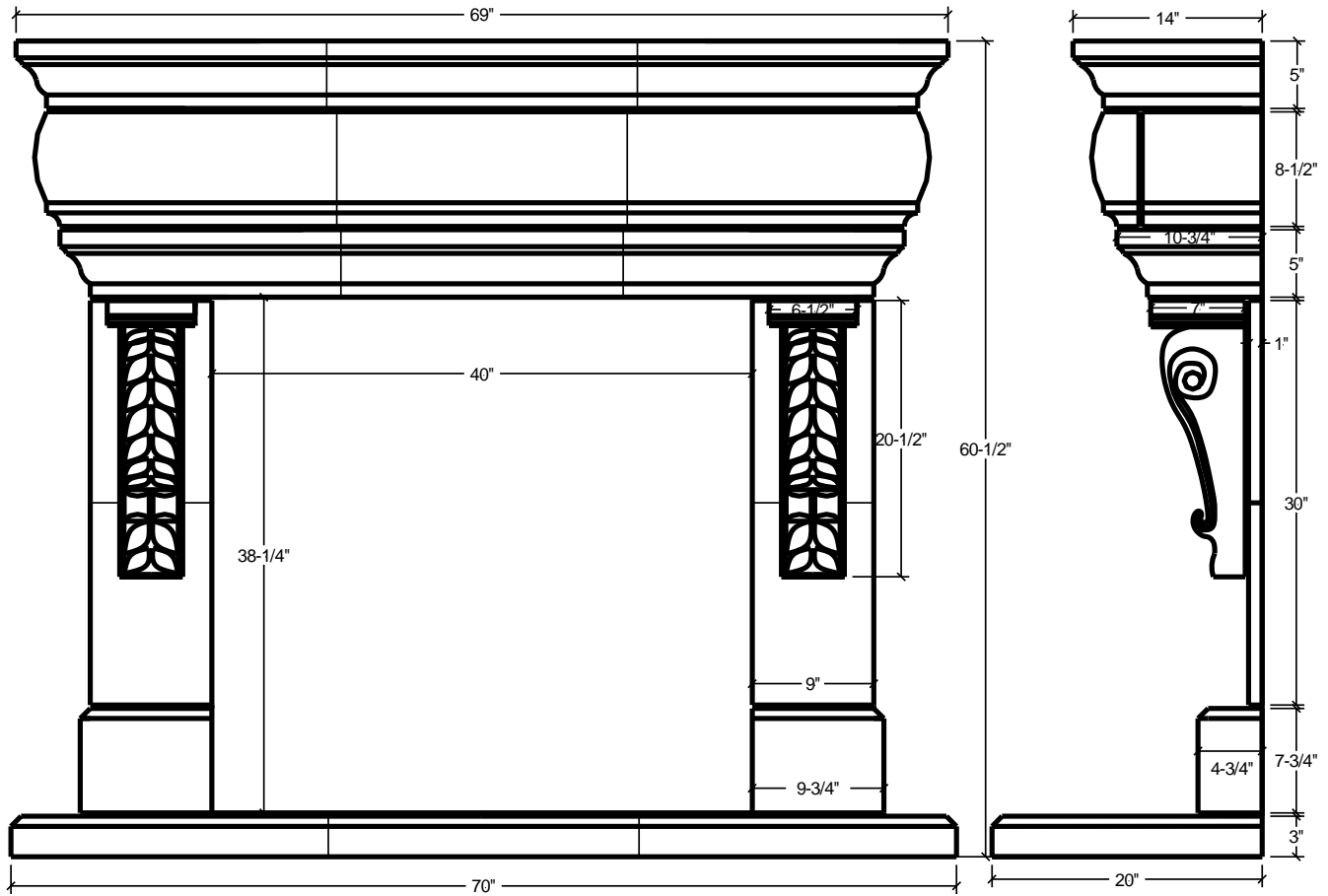
* Adjustable

Corbel drawing is approximate

FP-20

Cladding can be added to surround the firebox

CAST STONE FIREPLACES



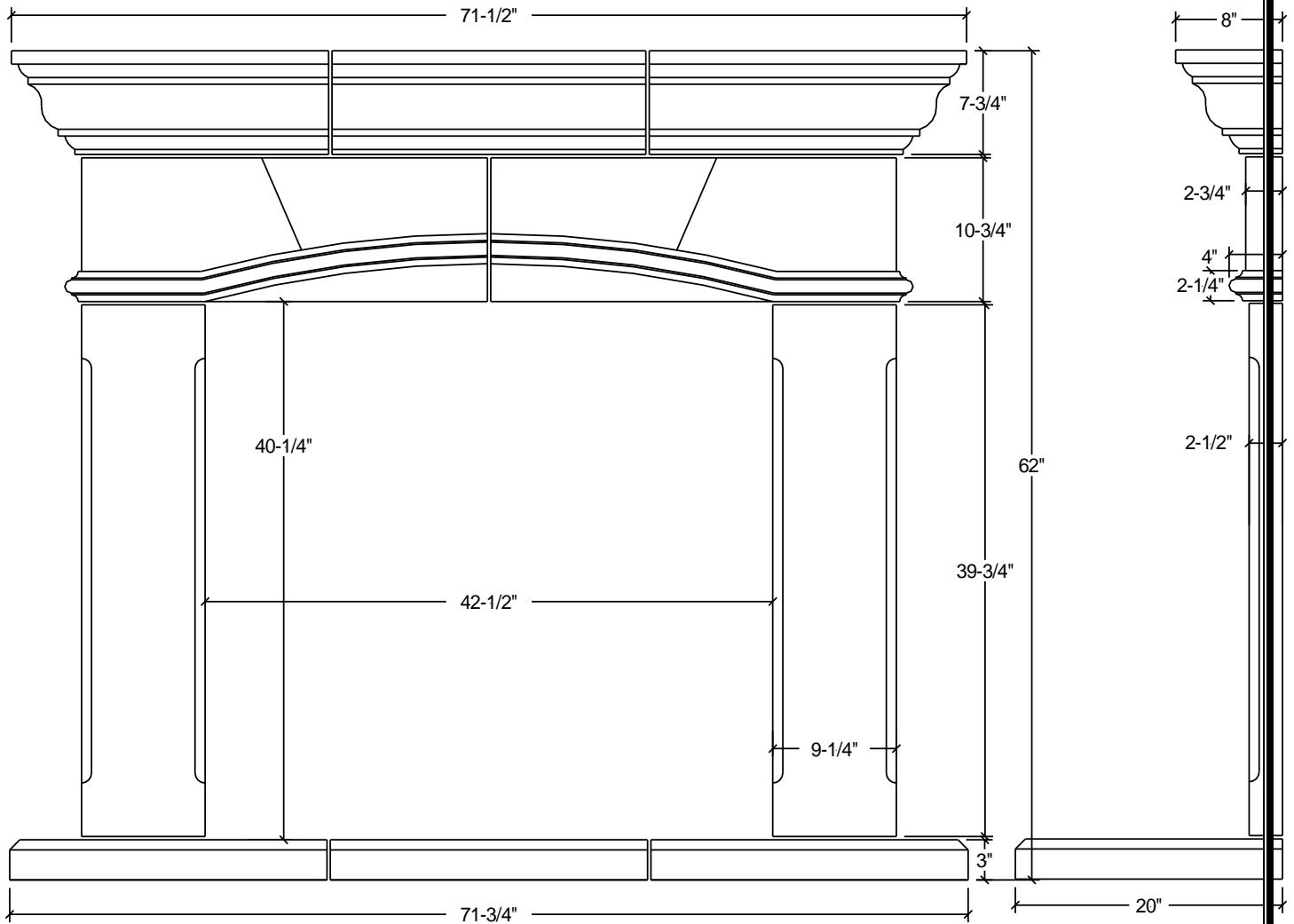
* Adjustable

Corbel drawing is approximate

FP-21

Cladding can be added to surround the firebox

CAST STONE FIREPLACES



FP-22

Cladding can be added to surround the firebox



FP-22

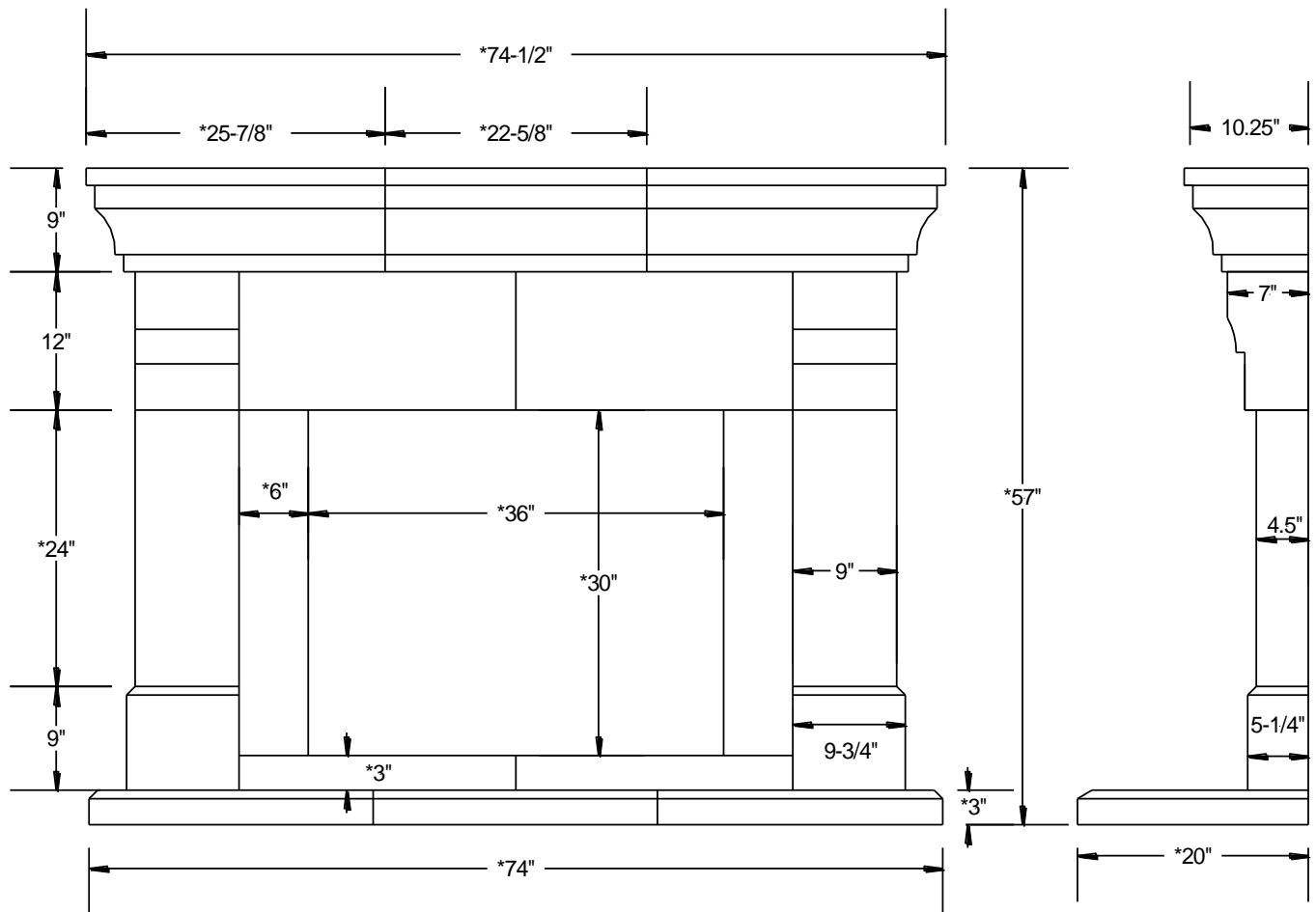


FP-22



FP-22

CAST STONE FIREPLACES



* Adjustable

FP-23
FPPB - 1

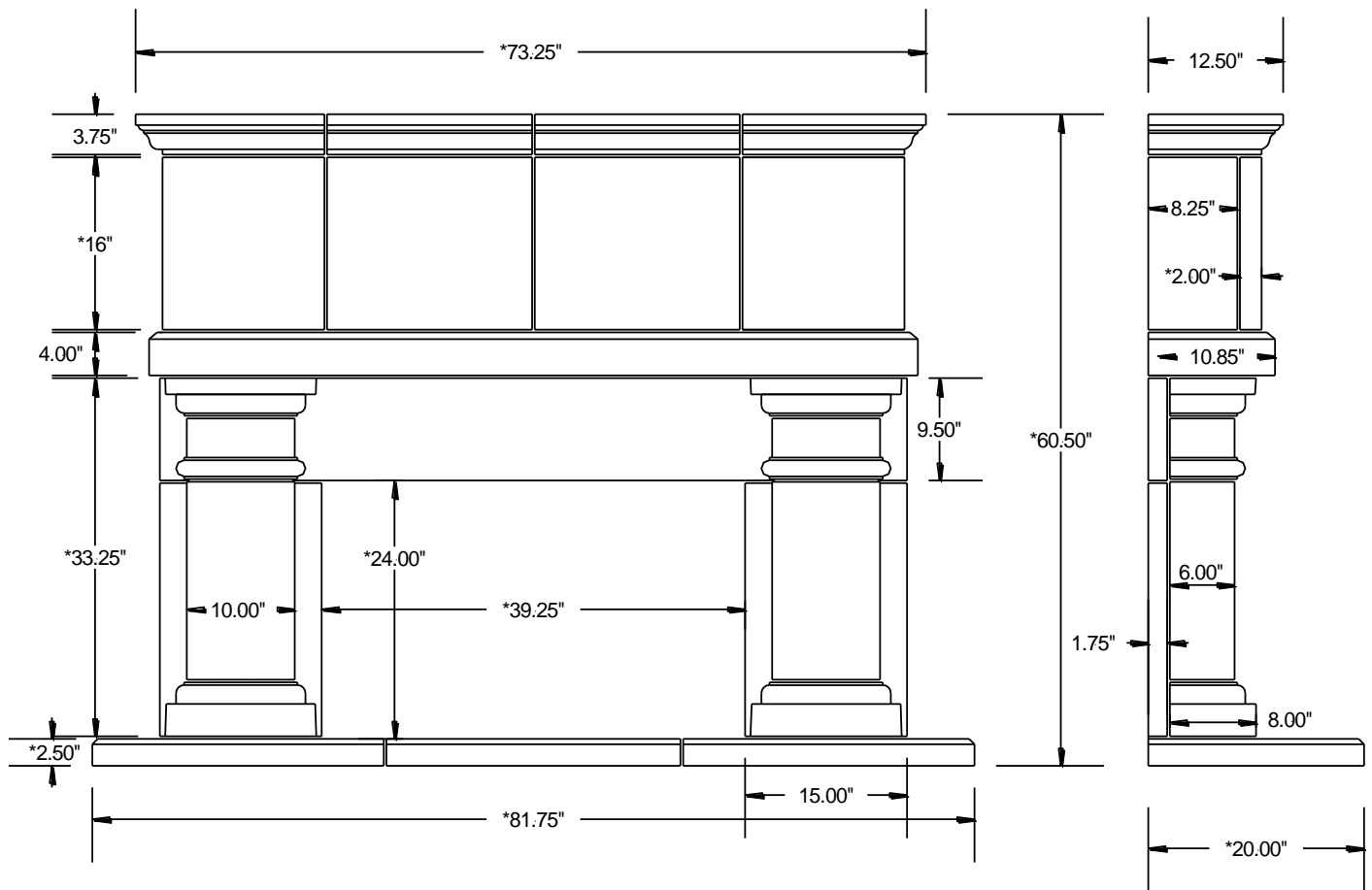


FP-23
FPPB-1



FP-23

CAST STONE FIREPLACES



* Adjustable

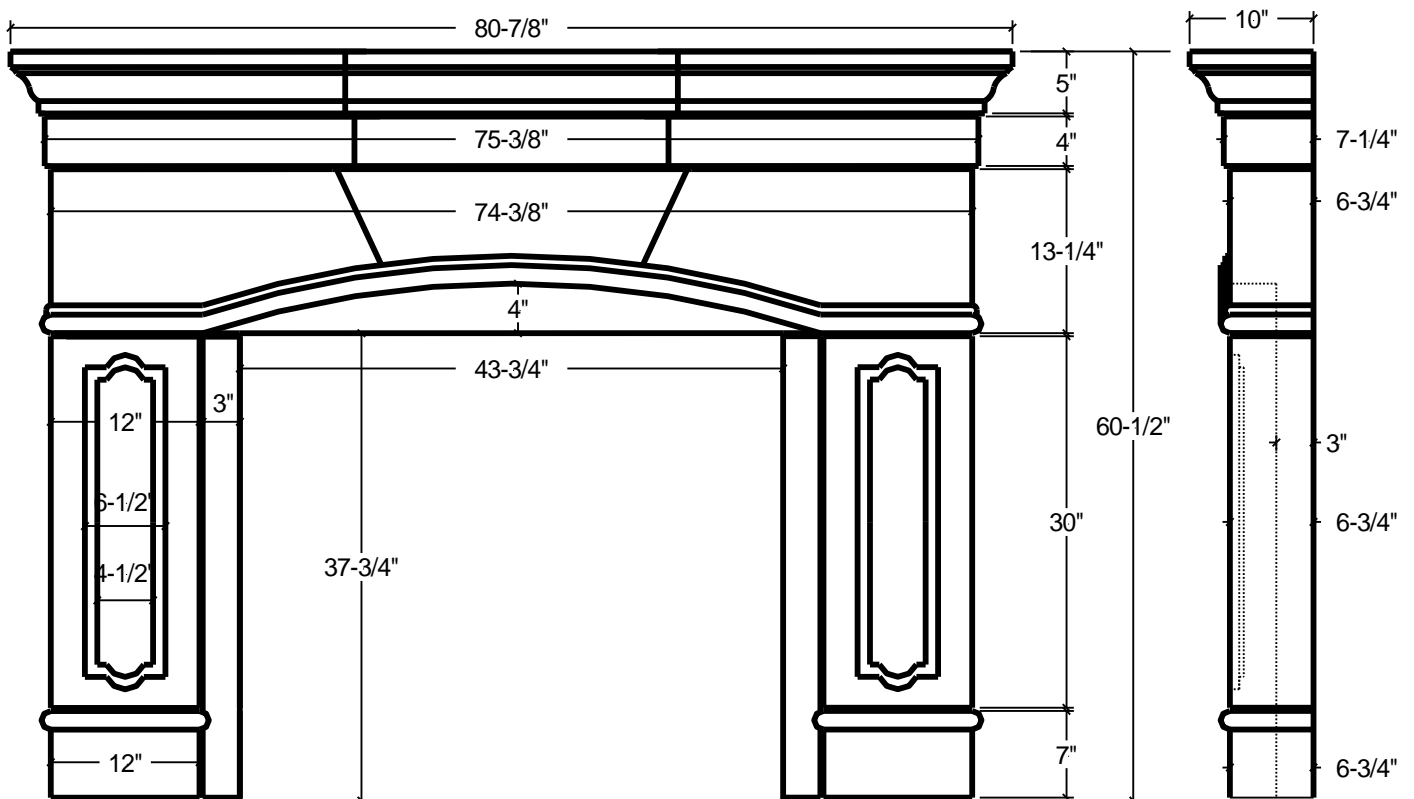
FP-24
FPSH

Cladding can be added to surround the firebox



FP-24
FPSH

CAST STONE FIREPLACES



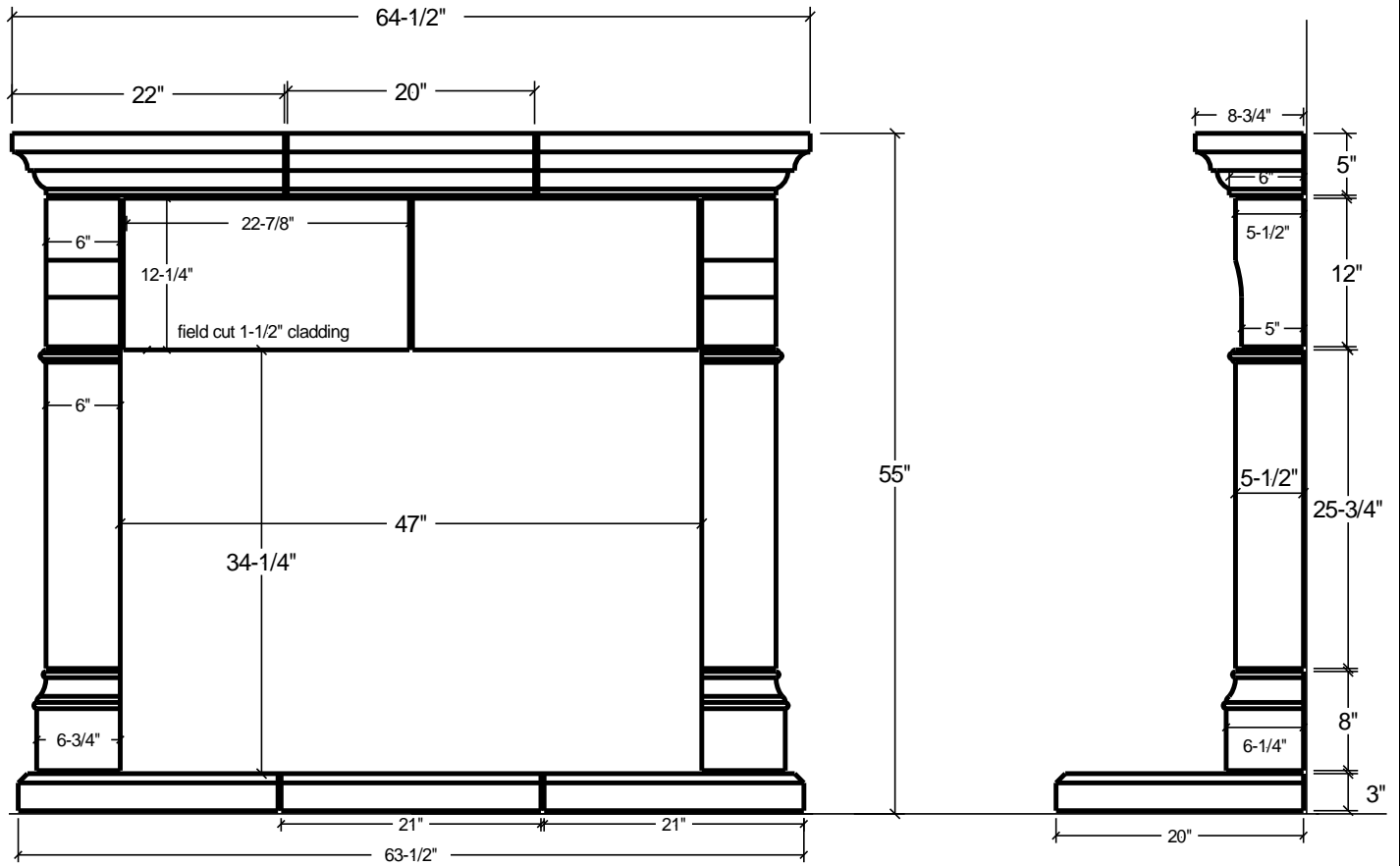
FP-25

Cladding can be added to surround the firebox



FP-25

CAST STONE FIREPLACES



FP-26

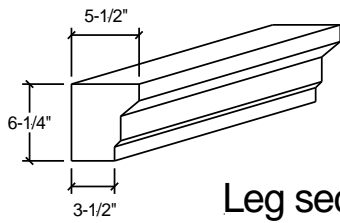
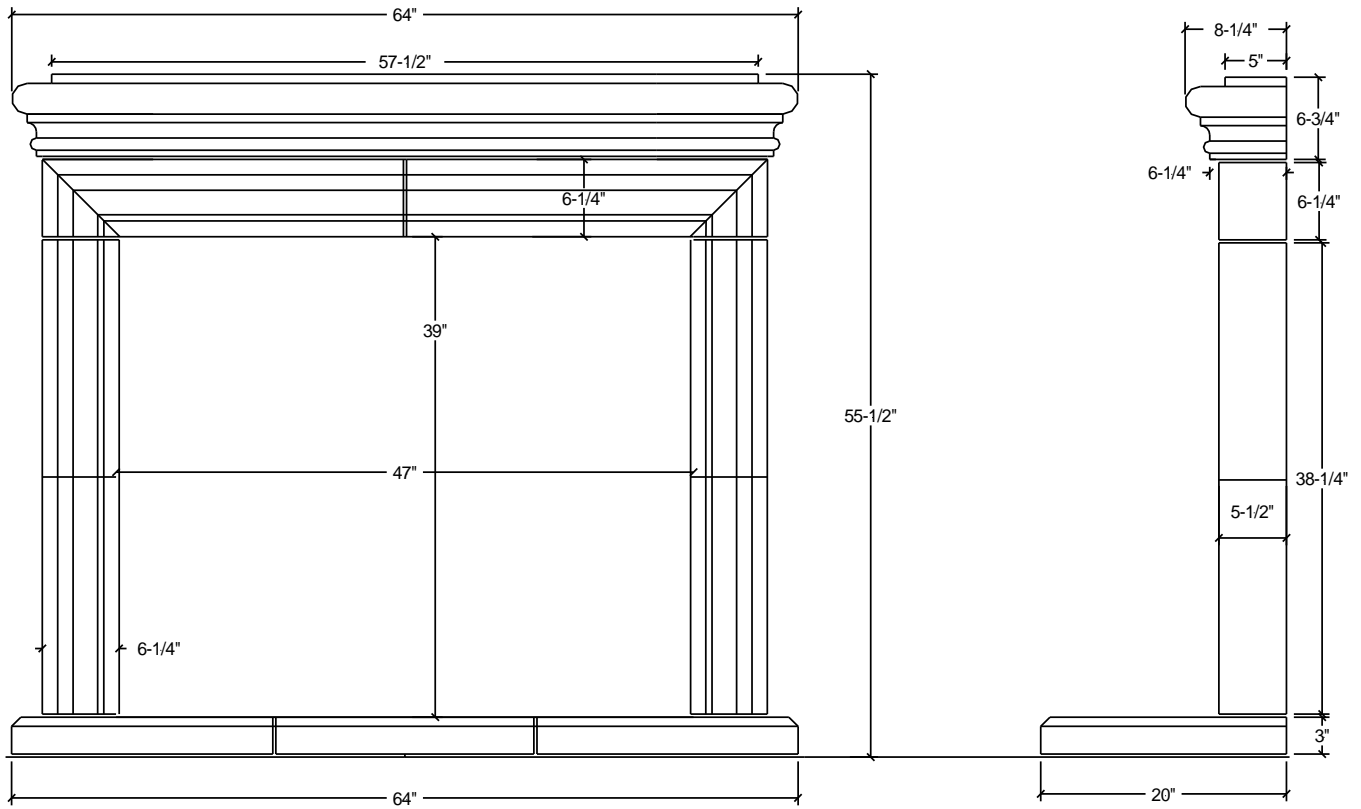


FP-26



FP-26

CAST STONE FIREPLACES



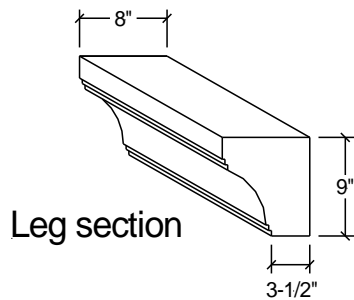
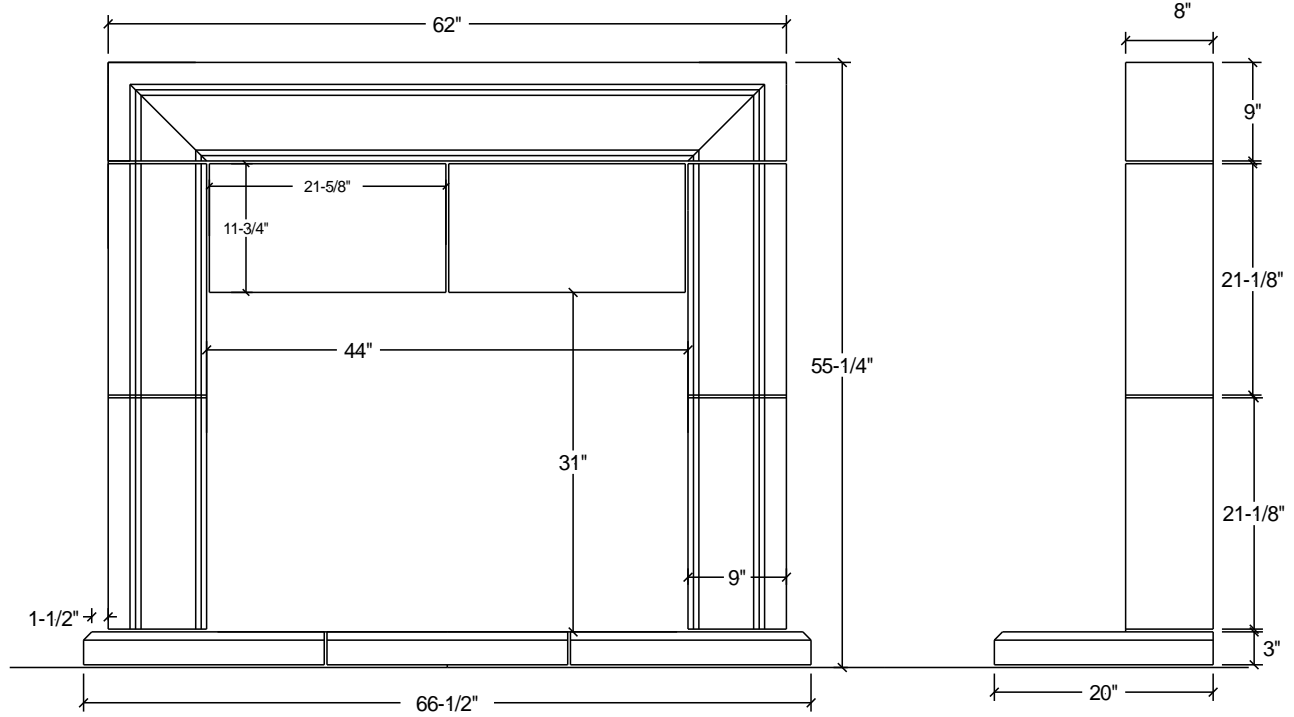
Leg section

FP-27



FP-27

CAST STONE FIREPLACES

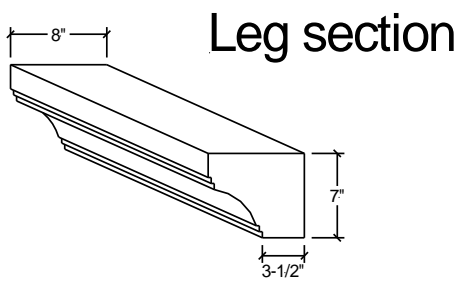
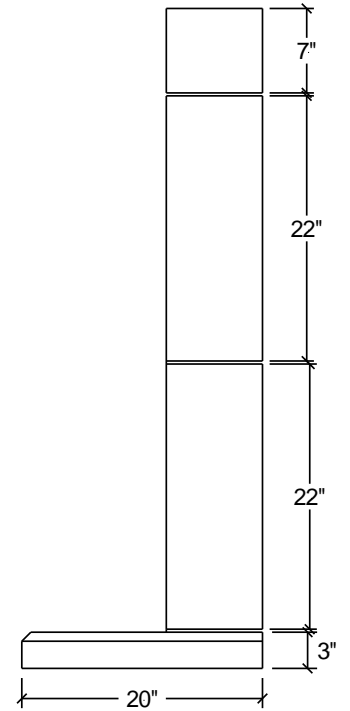
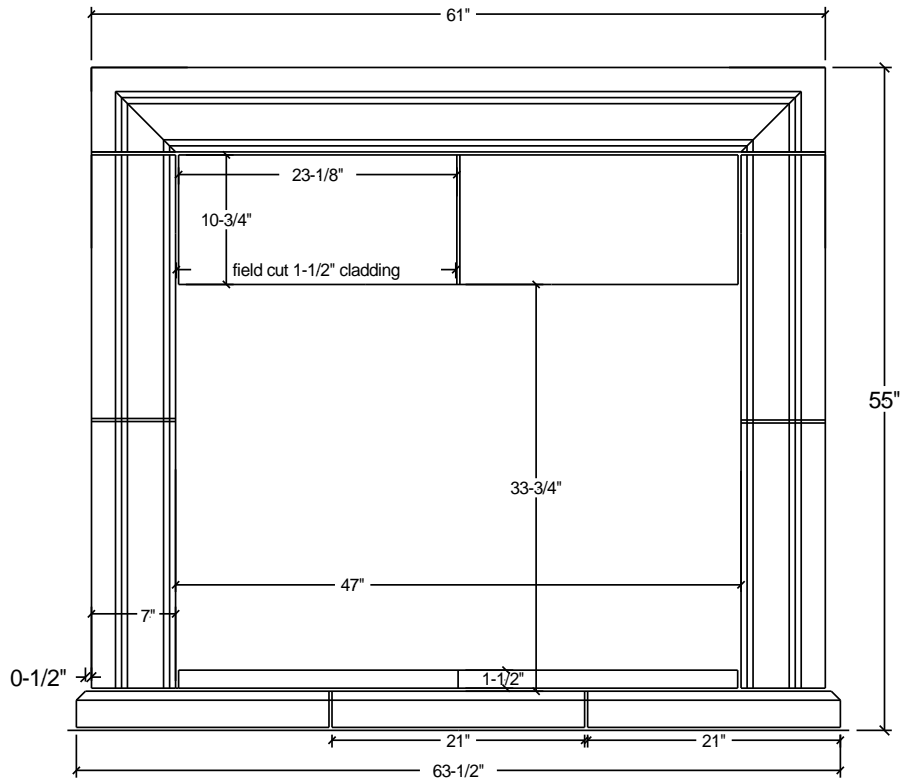


FP-28



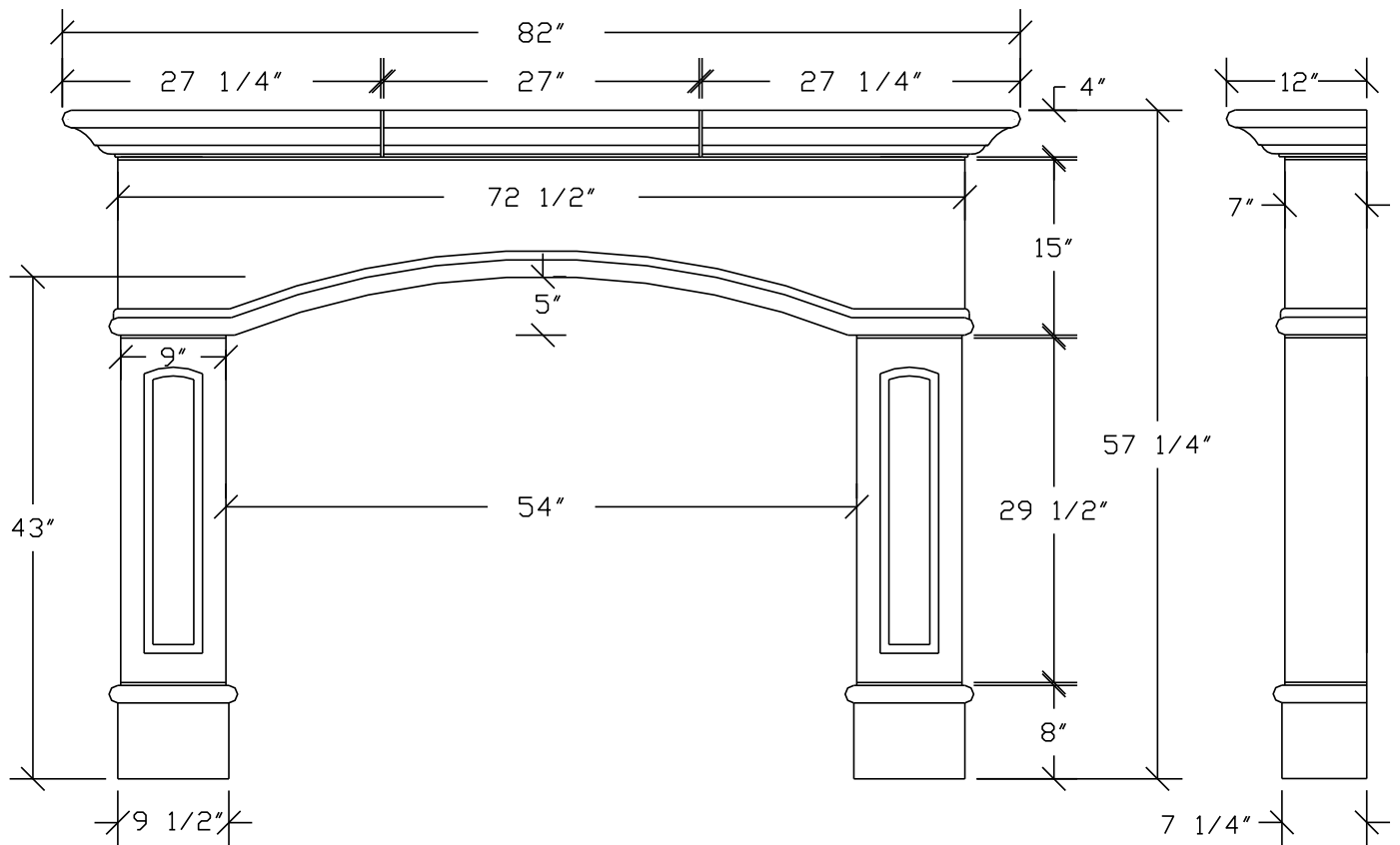
FP-28

CAST STONE FIREPLACES



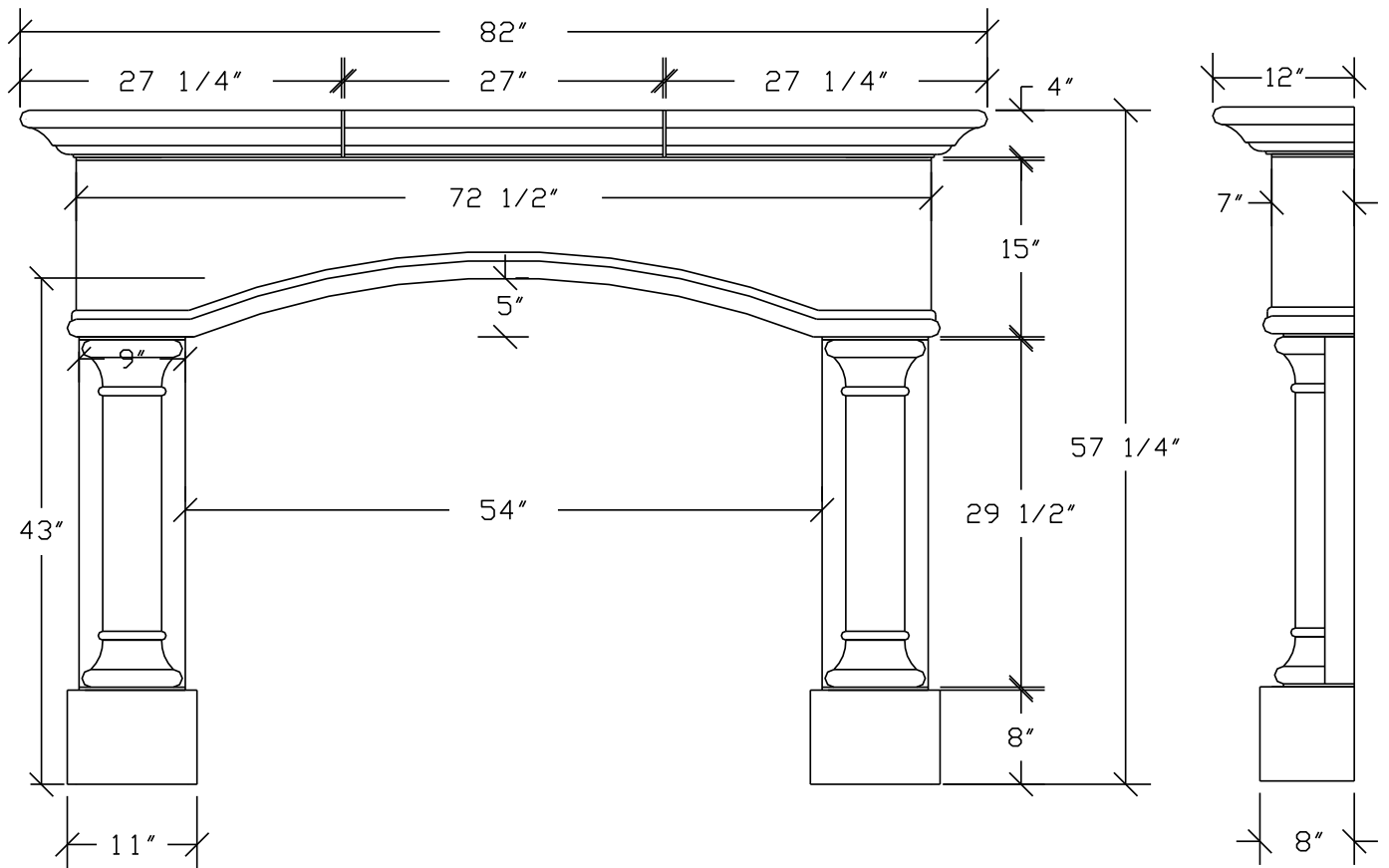
FP-29

CAST STONE FIREPLACES



FP-30
Katherine

CAST STONE FIREPLACES



FP-31

Julia



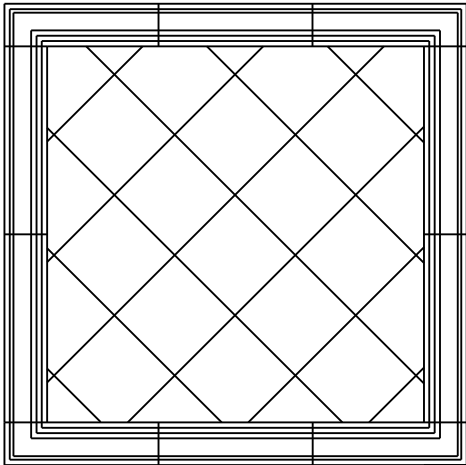
FP-31

Julia



FP-31

CAST STONE OVER MANTELS



Full Square Frame with Diamond Cladding
(TDC)

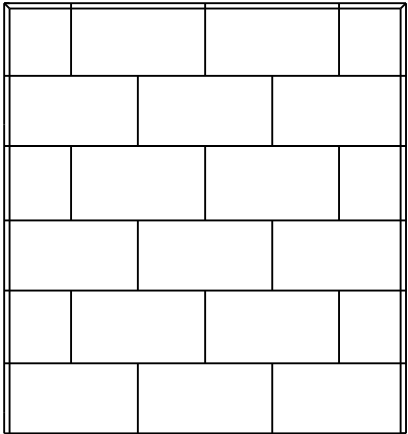
Frame Profiles:



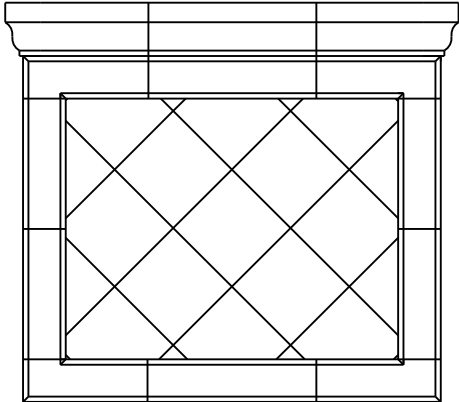
BM-07 WSSD DC TDC

See Tables at end of catalog
for sizes and available radii

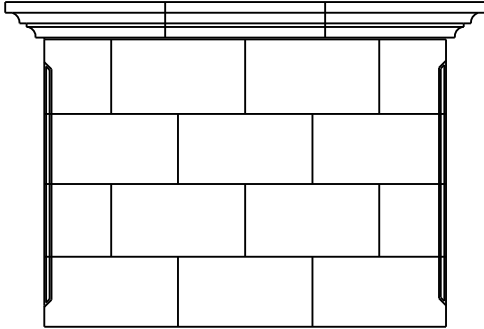
See Headers pages
for alternate Headers



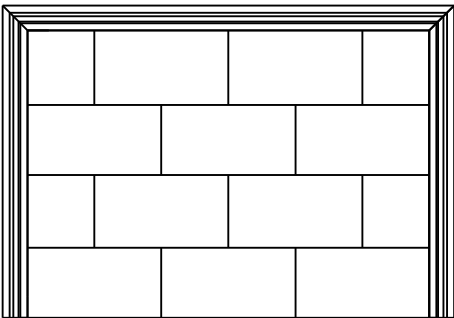
Square Cladding with Chamfer



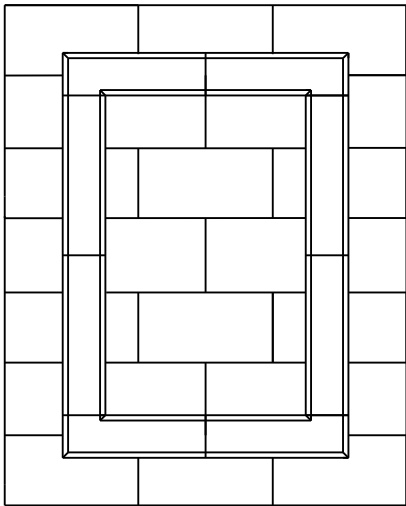
Full Frame with Header and Diamond Cladding
(DC, BM-15)



Header on Square Cladding with Decorative Edge

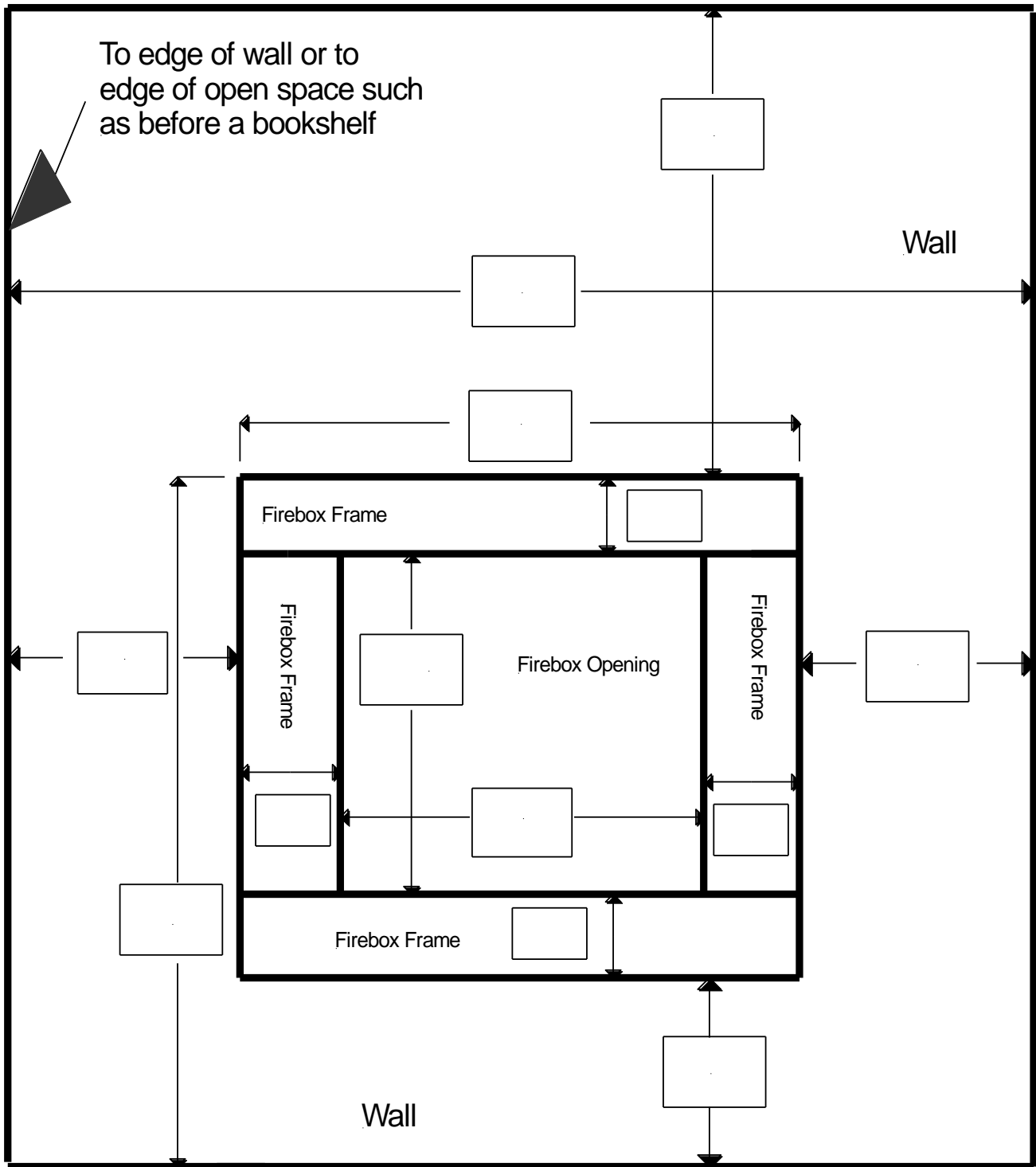


3/4 Frame with Square Cladding
(BM-07)



Full Square Frame over Square Cladding
(DC)

Firebox Dimensions Worksheet



Can the firebox frame be covered? Yes No Notes: _____
 Other _____

Desired height to the top of the mantel: _____

Picture taken of fireplace location _____

Options Worksheet

Hearth:

No -

Yes: Standard 3" or Raised ___ or Flush

Note: _____

Flooring:

Type of flooring (circle one): Tile Wood Stone Other

Thickness of flooring: _____

Note: _____

Overmantel:

No -

Yes - Style: _____ Size: _____

Note: _____

Finishes:

Cast Stone -

Mediterranean-

Old World: Light- Medium- Heavy-

Color:

Texas Limestone – R103R -

Renaissance – LB107R -----

Oyster – PNK08R -----

Fawn – S111R -----

Light Buff – LB02R -----