

THE ARK

CAST STONE

**FIREPLACE SURROUNDS
CATALOG**

713.695.2001

Fax: 713.692.6803

www.arkconcrete.com

**713 Lehman St
Houston, Texas 77018**

GHBA member since 1998

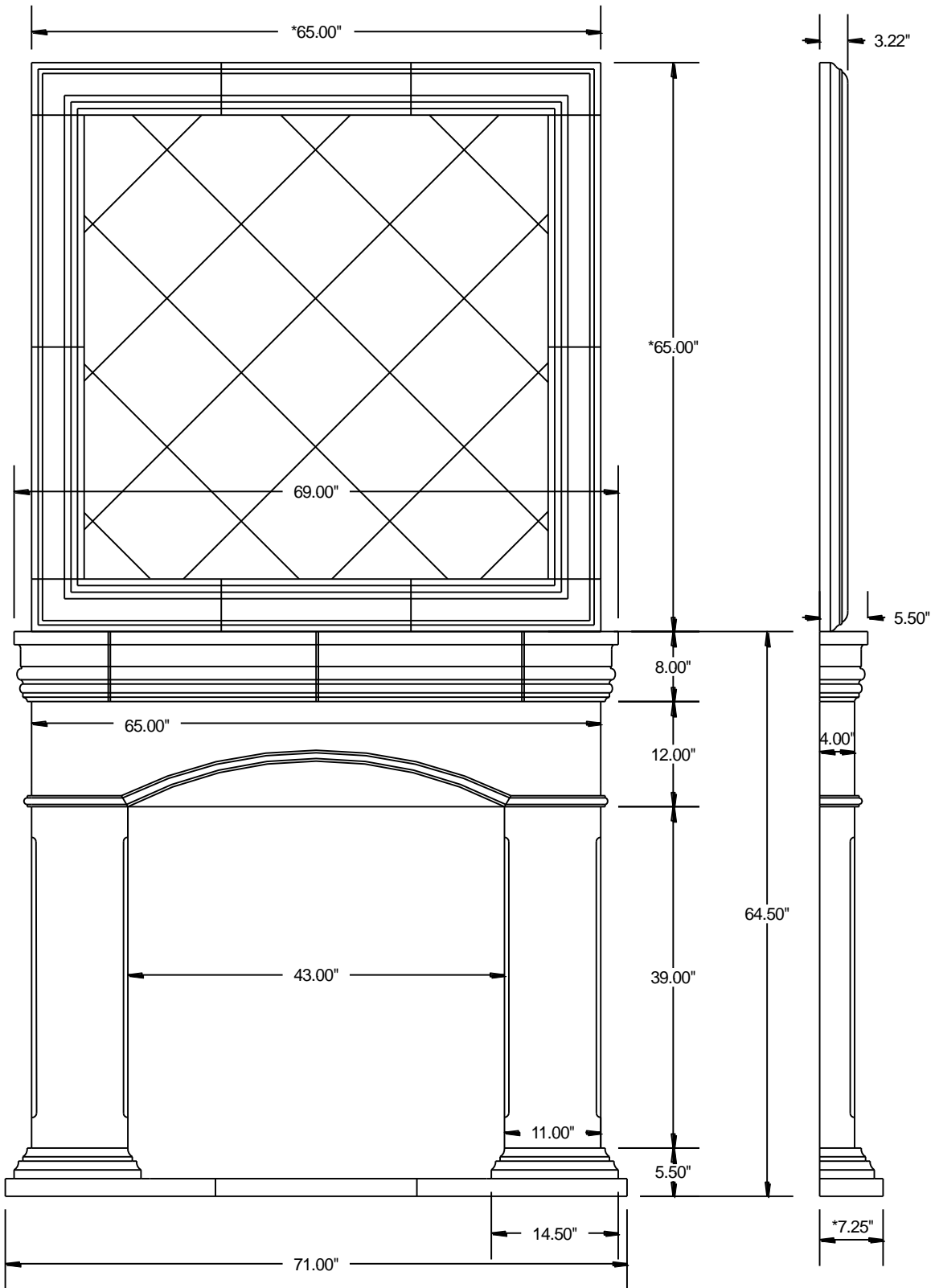


Jan. 2013

Cast Stone Fireplace Surrounds Index

<u>Product</u>	<u>Pg</u>	<u>Product</u>	<u>Pg</u>
FP-1 -----	1	FP-18-----	33
FP-2 -----	3	FP-19-----	34
FP-3 -----	5	FP-20-----	36
FP-4 -----	7	FP-21-----	37
FP-5 -----	10	FP-22-----	38
FP-6 -----	12	FP-23-----	40
FP-7 -----	14	FP-24-----	42
FP-8 -----	16	FP-25-----	44
FP-9 -----	18	FP-26-----	46
FP-10-----	21	FP-27-----	48
FP-11-----	22	FP-28-----	50
FP-12-----	23	FP-29-----	52
FP-13-----	24	FP-30-----	53
FP-14-----	26	FP-31-----	54
FP-15-----	27	Over Mantels -----	56
FP-16-----	29	Firebox Dimensions Worksheet ---	57
FP-17-----	31	Options Worksheet -----	58

CAST STONE FIREPLACES



FP - 1

* Adjustable

Cladding can be added to surround the firebox



FP-1

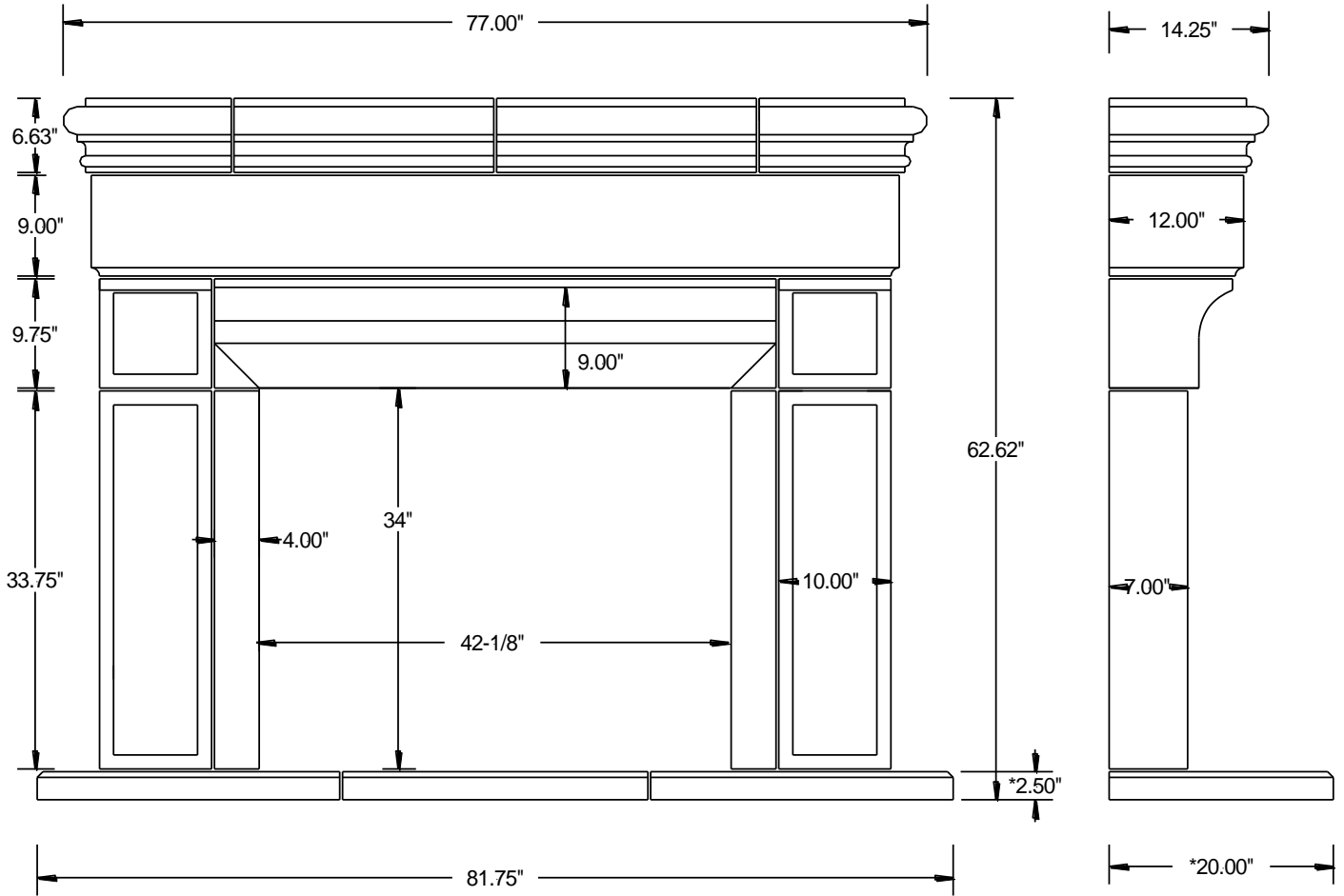


FP - 1



FP - 1

CAST STONE FIREPLACES



* Adjustable

FP-2

Cladding can be added to surround the firebox

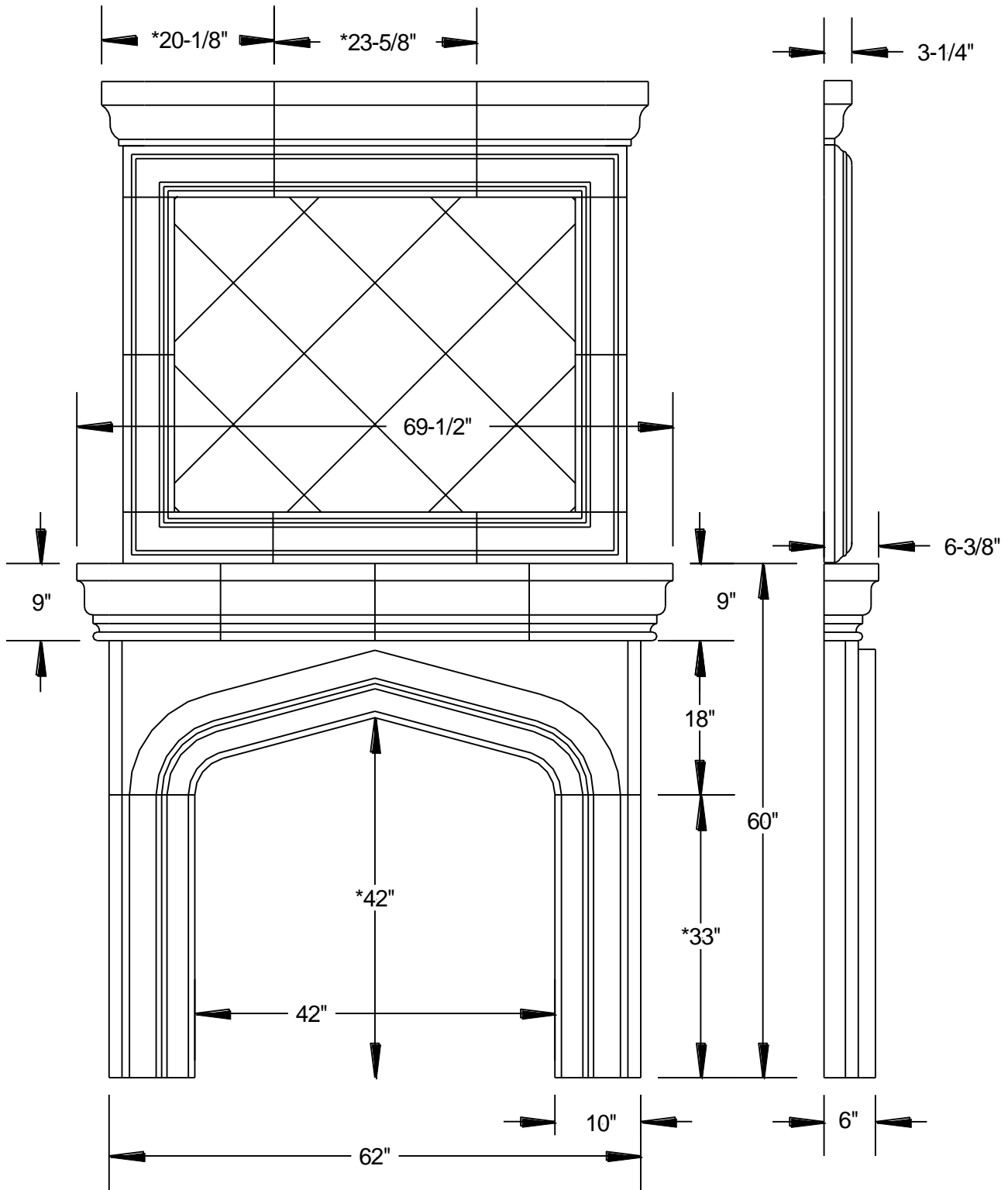


FP-2



FP-2

CAST STONE FIREPLACES



FP - 3

Cladding can be added to surround the firebox



FP-3

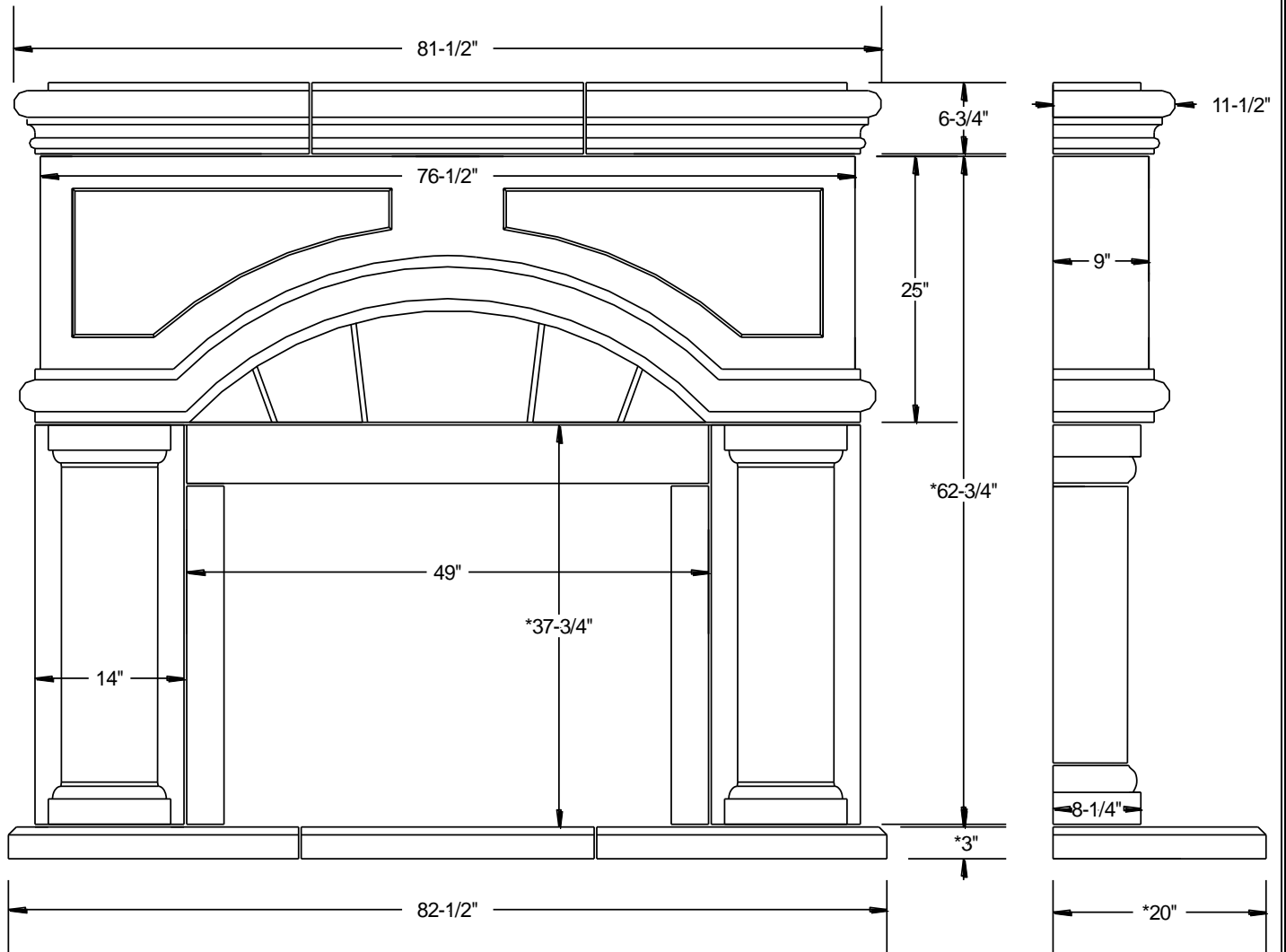
Note: Overmantel optional



FP-4

Note: Decorative Keystone is optional

CAST STONE FIREPLACES

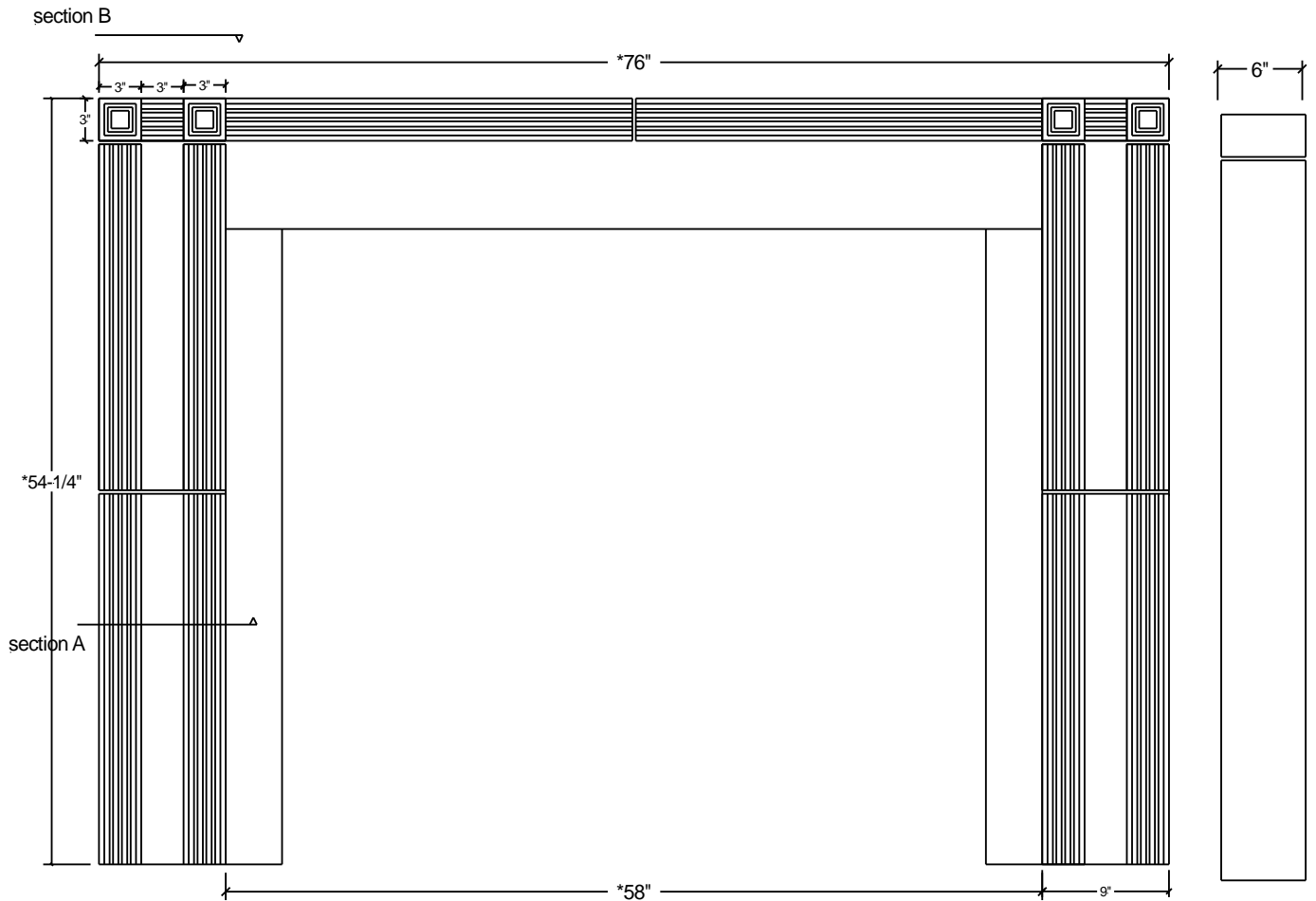


* Adjustable

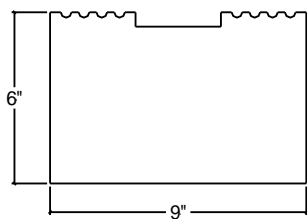
FP - 4 - with straight columns

Can use 8" or 10" tapered or straight columns

CAST STONE FIREPLACES

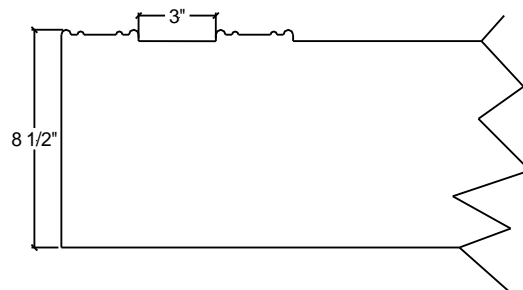


section A



* Adjustable

section B



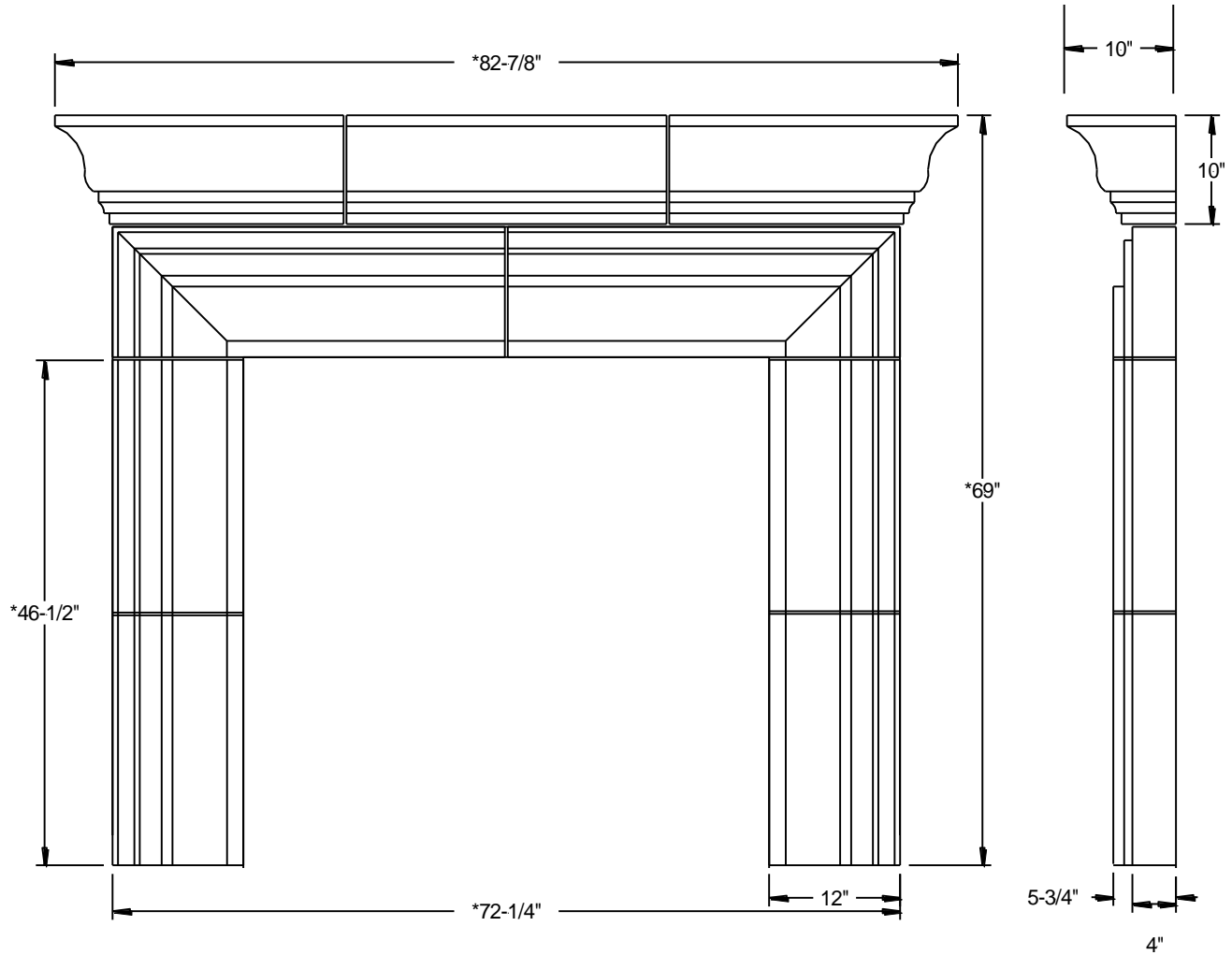
FP - 5

Cladding can be added to surround the firebox



FP-5

CAST STONE FIREPLACES



* Adjustable

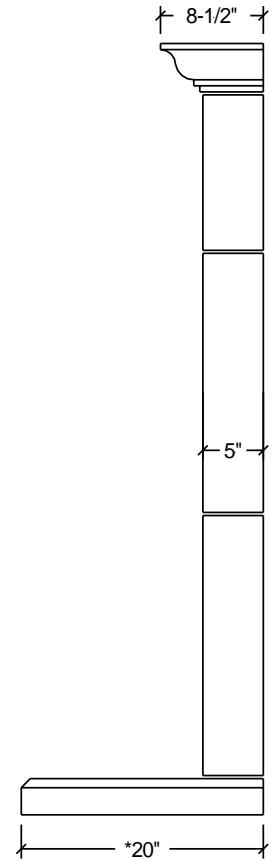
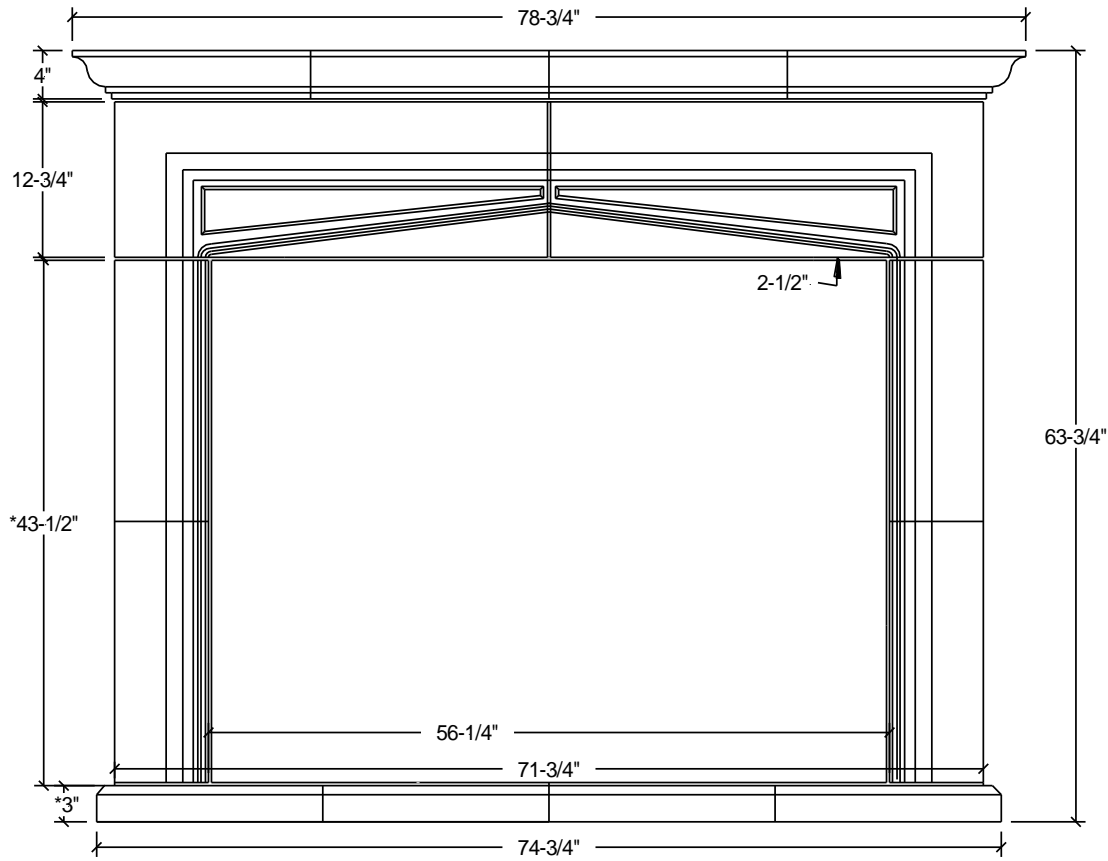
FP-6

Cladding can be added to surround the firebox



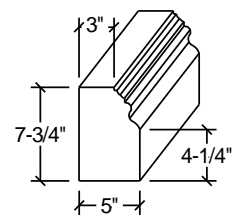
FP-6

CAST STONE FIREPLACES



* Adjustable

Leg Profile



FP - 7

Cladding can be added to surround the firebox

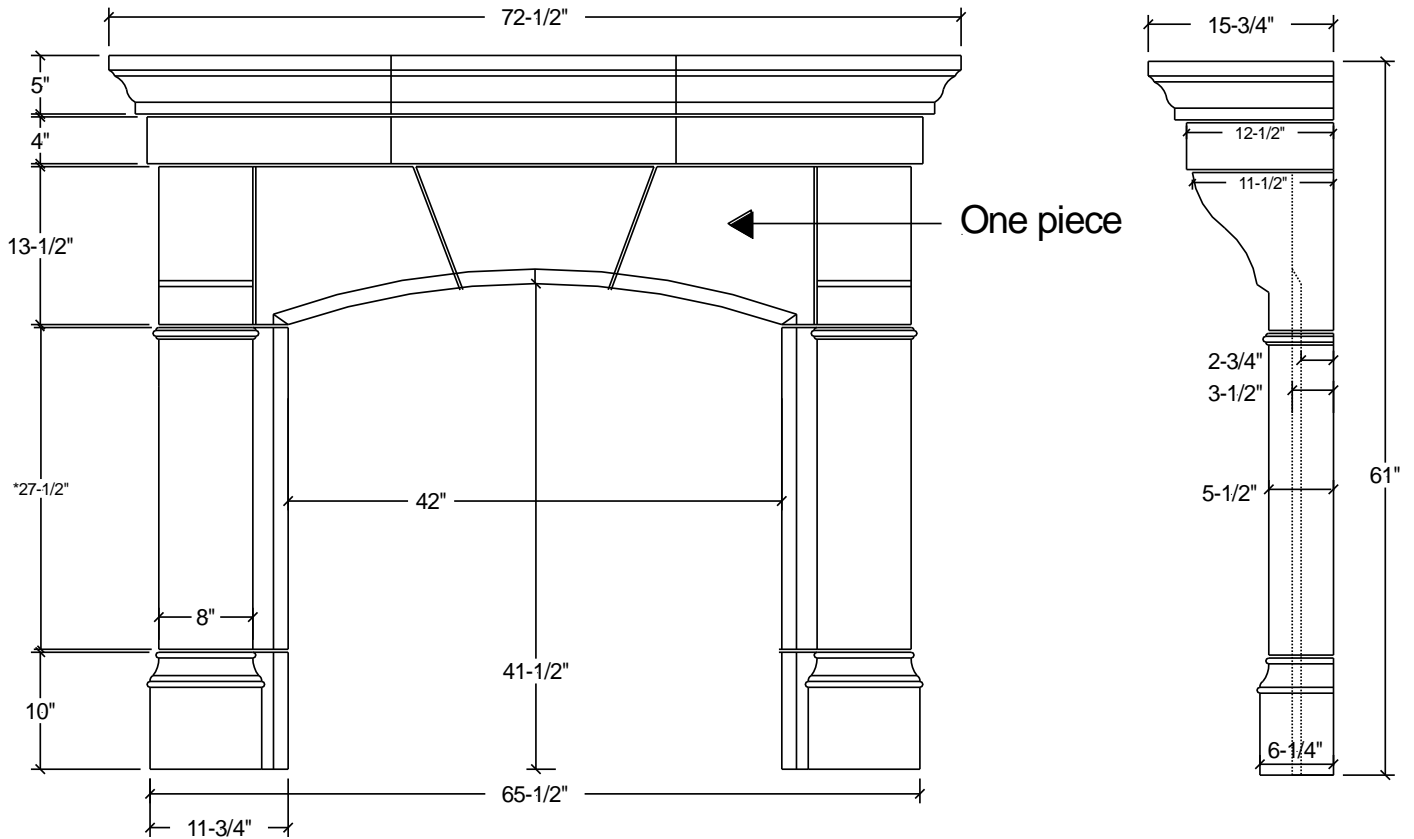


FP-7



FP-7

CAST STONE FIREPLACES



* Adjustable

FP - 8

Cladding can be added to surround the firebox

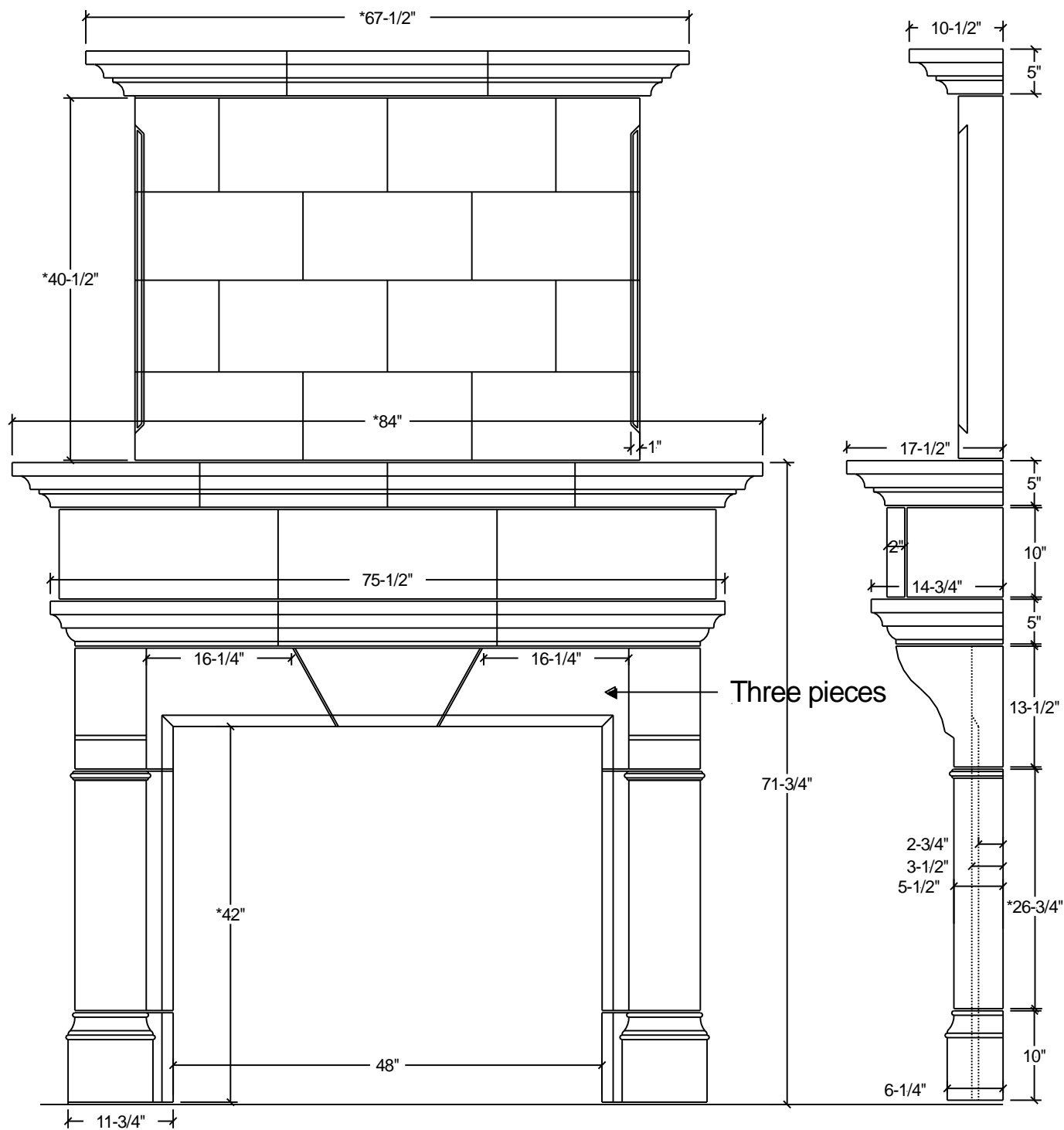


FP-8



FP-8

CAST STONE FIREPLACES



FP - 9

* Adjustable

Cladding can be added to surround the firebox



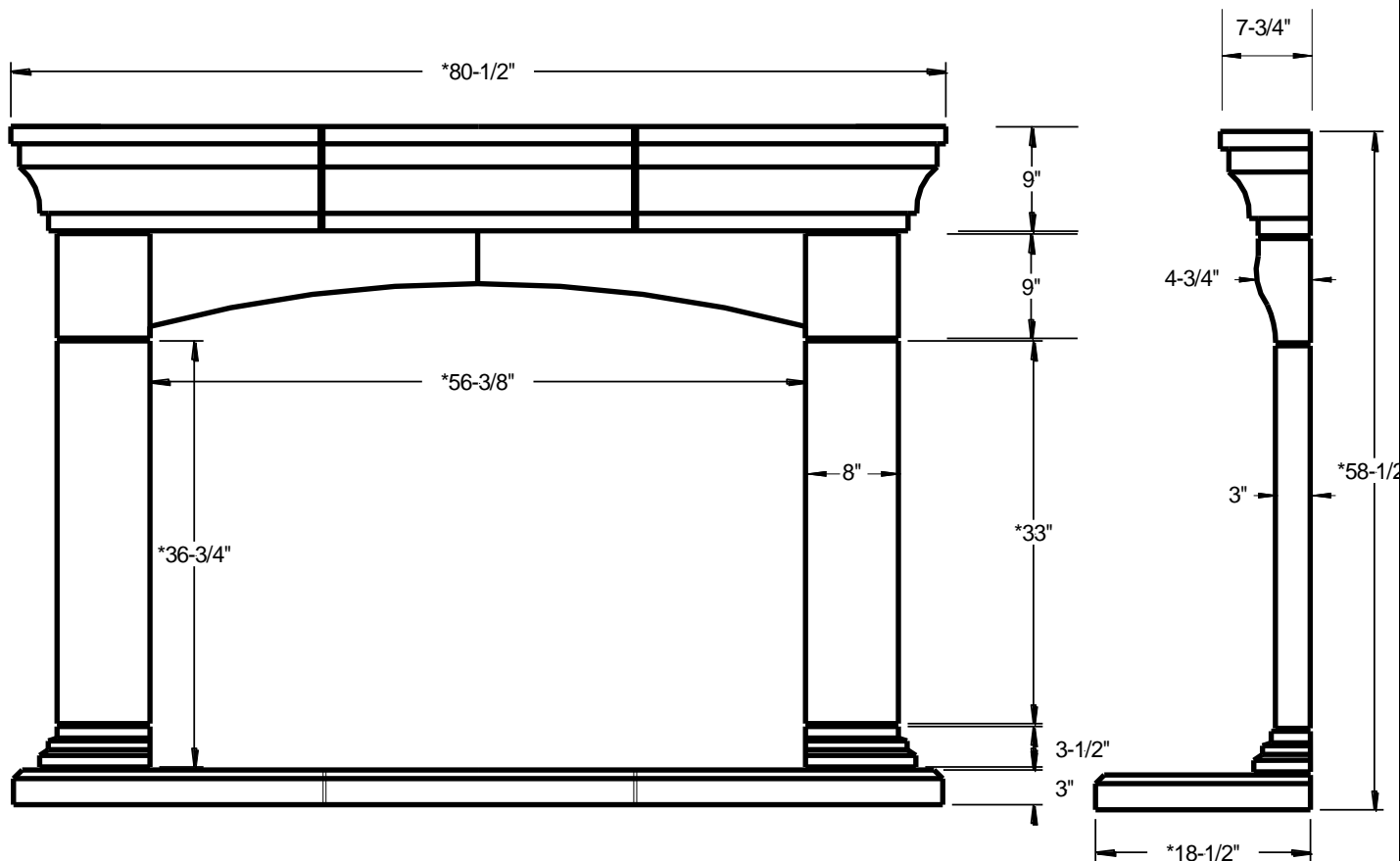
FP-9



FP-9

Note: Overmantel and wall cladding optional

CAST STONE FIREPLACES



* Adjustable

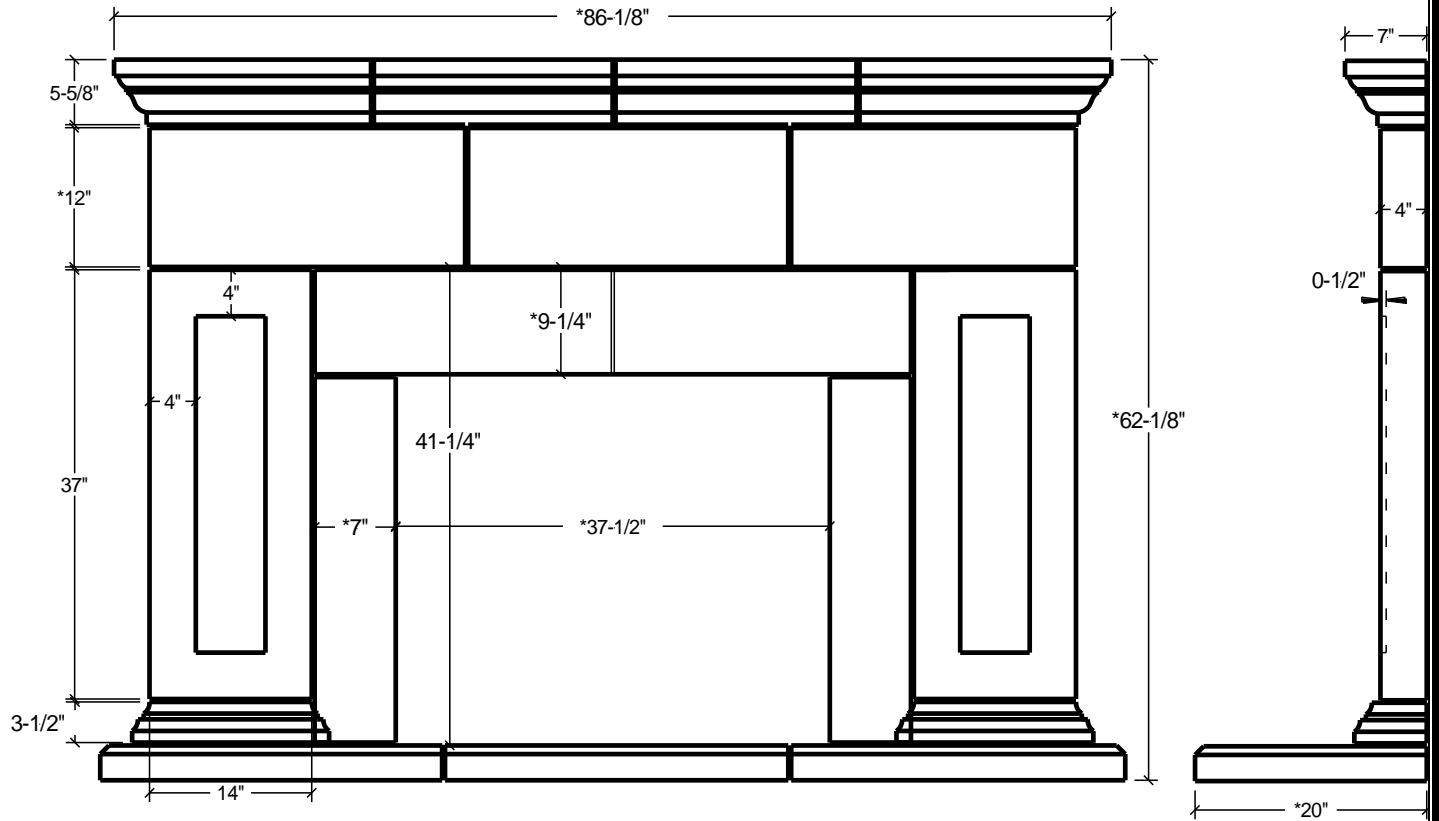
FP-10

Cladding can be added to surround the firebox



FP-10

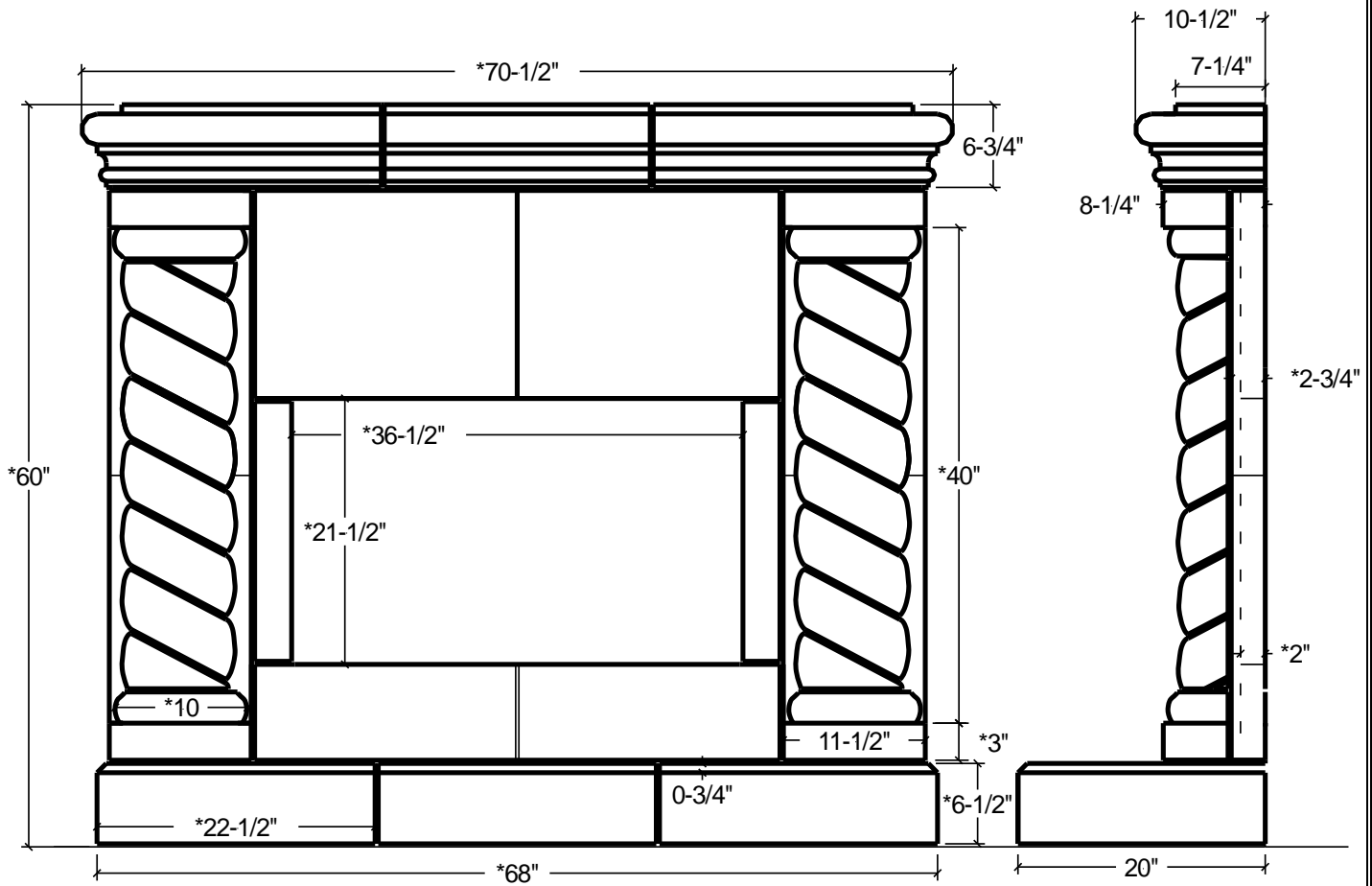
CAST STONE FIREPLACES



* Adjustable

FP-11

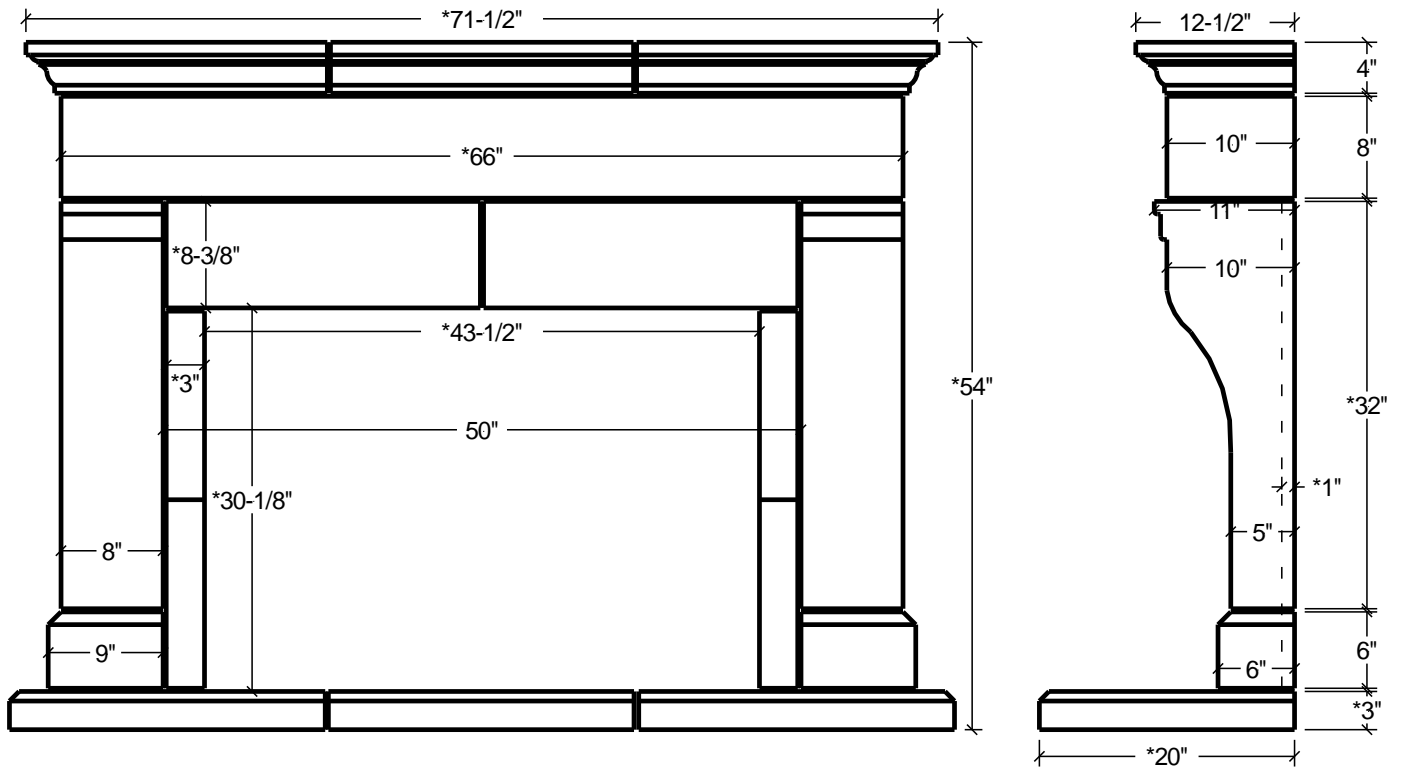
CAST STONE FIREPLACES



* Adjustable

FP-12

CAST STONE FIREPLACES



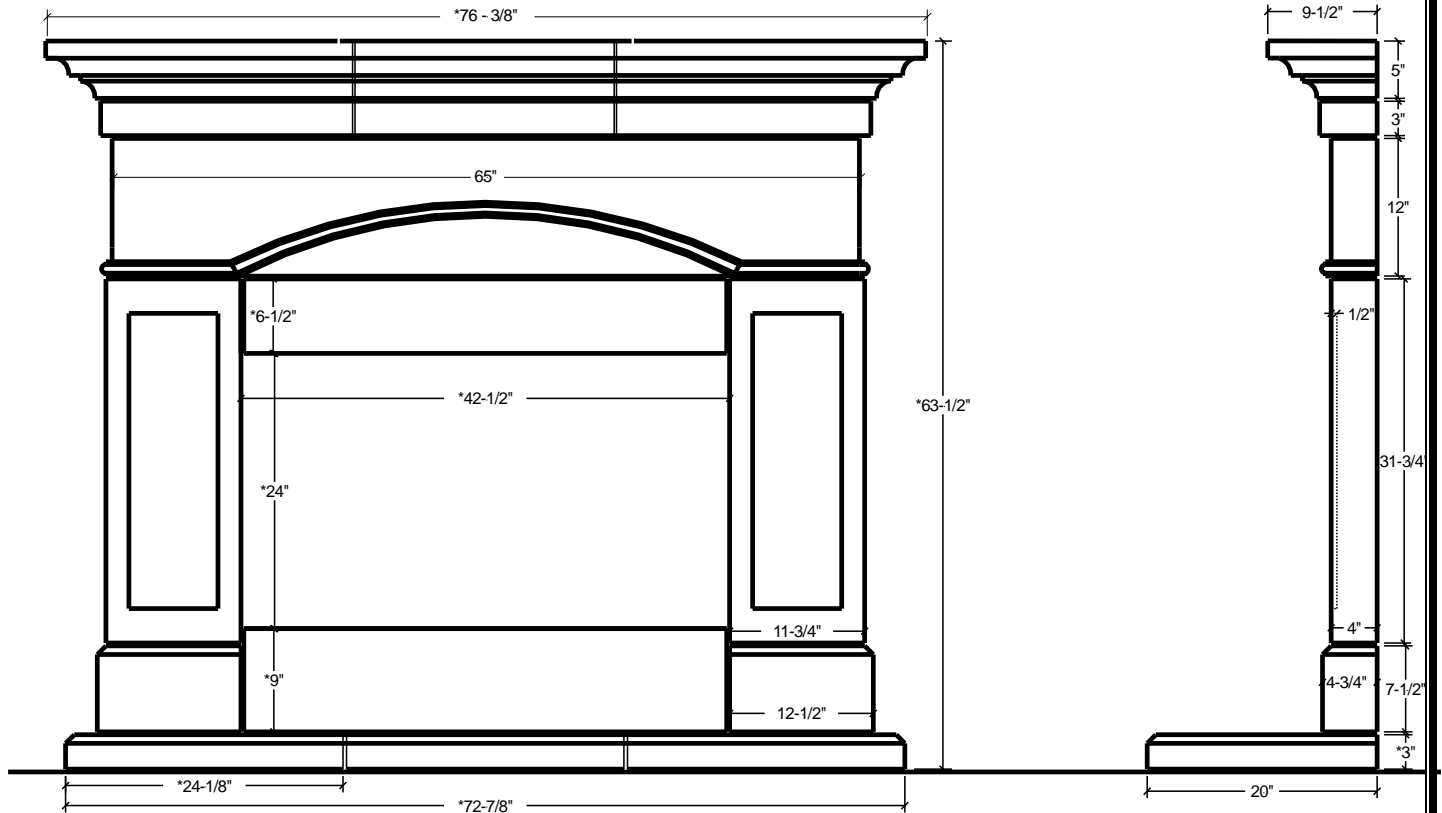
* Adjustable

FP-13



FP-13

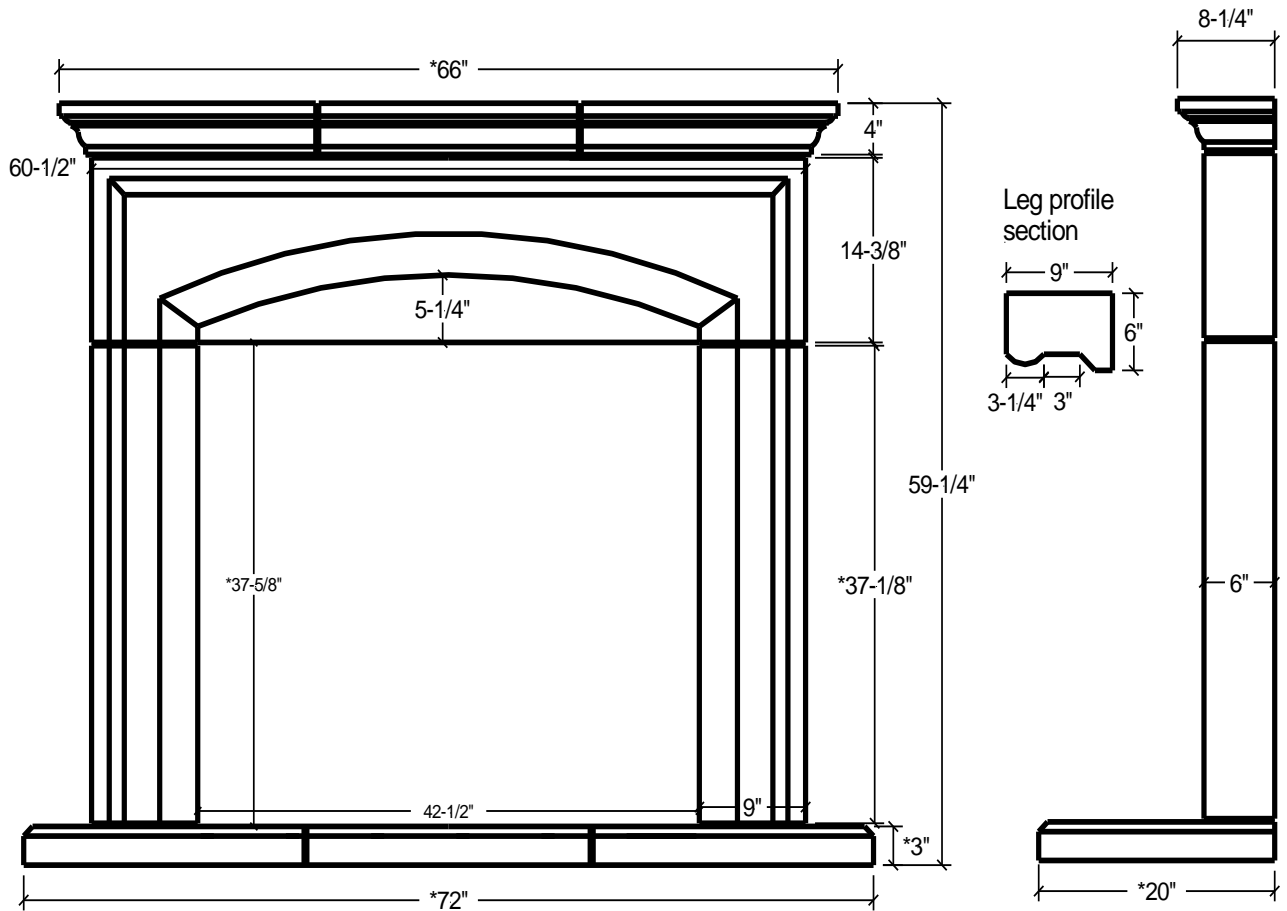
CAST STONE FIREPLACES



* Adjustable

FP-14

CAST STONE FIREPLACES



* Adjustable

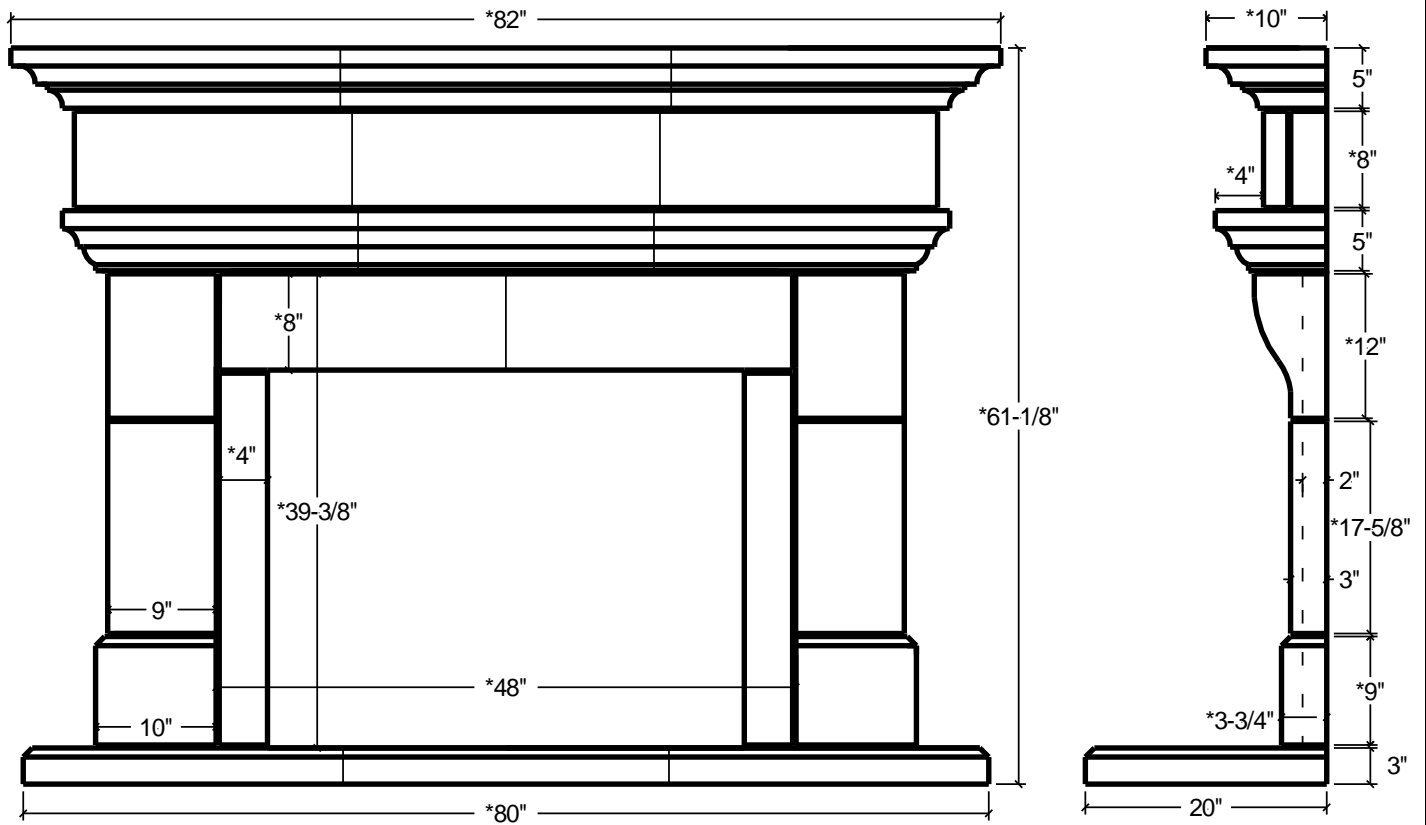
FP-15

Cladding can be added to surround the firebox



FP-15

CAST STONE FIREPLACES



* Adjustable

FP-16

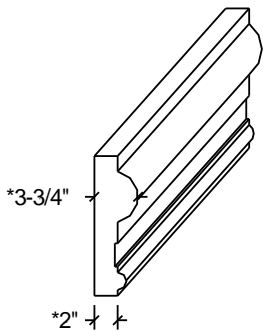
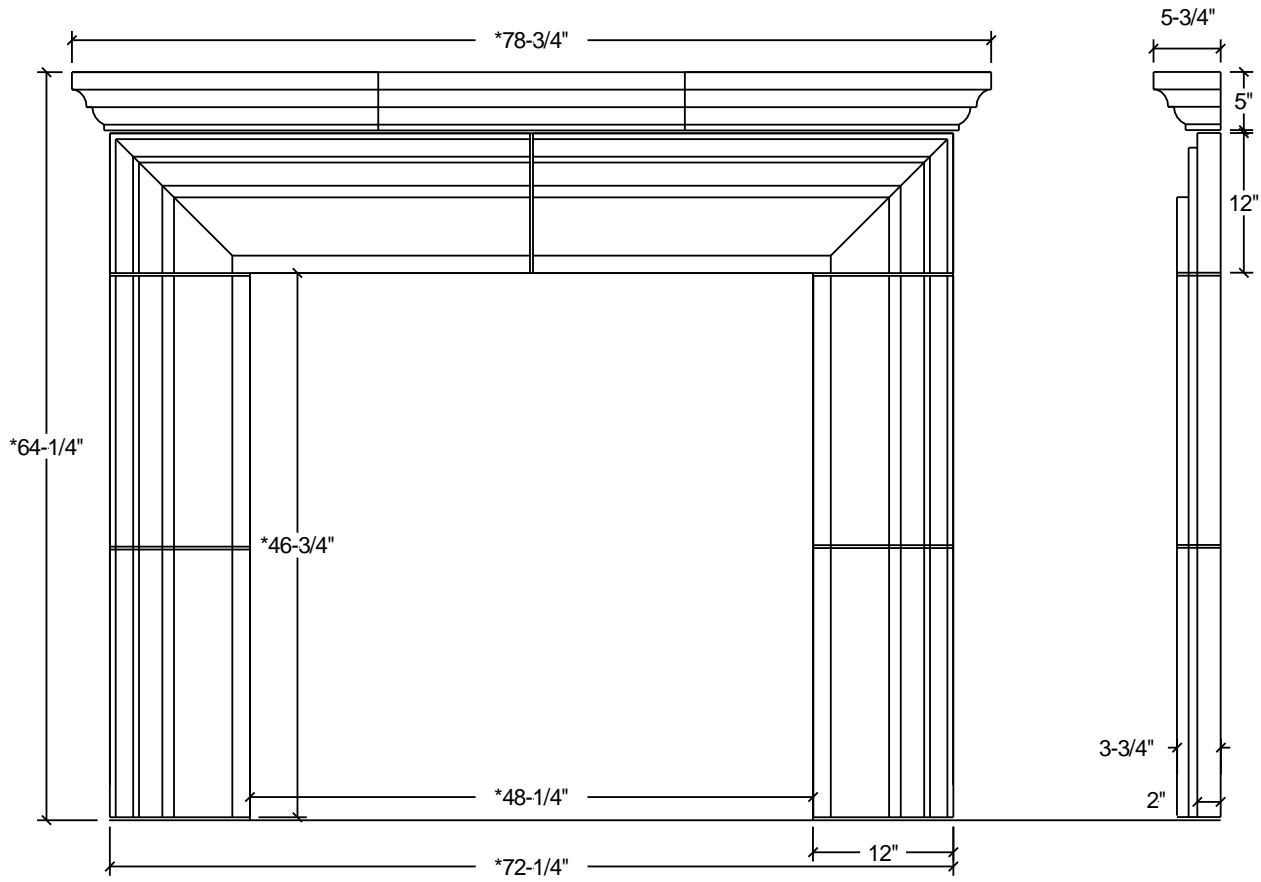


FP-16



FP-17

CAST STONE FIREPLACES



* Adjustable

Cladding can be added to surround the firebox

FP-18

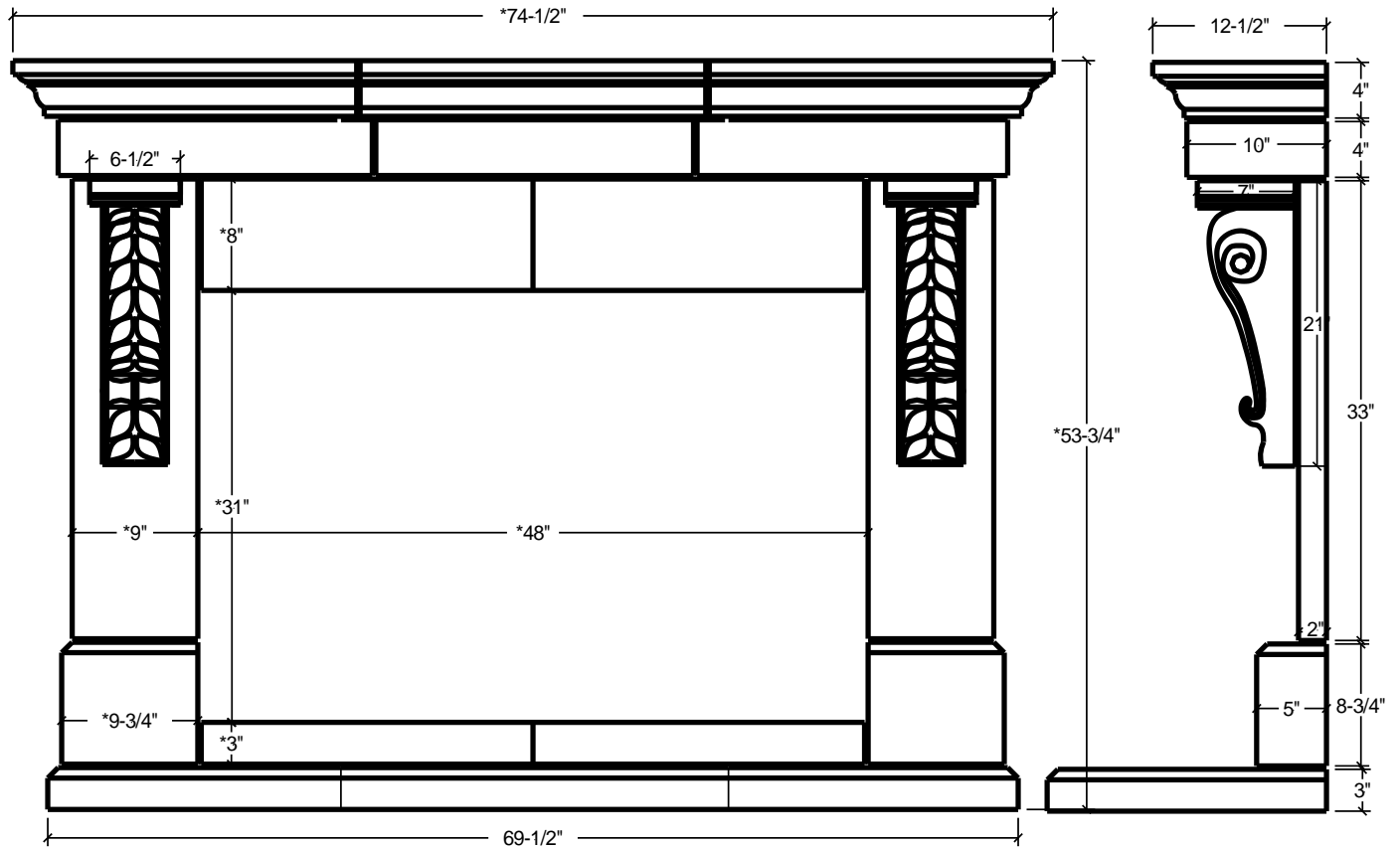


FP-18



FP-18

CAST STONE FIREPLACES



* Adjustable

Corbel drawing is approximate

FP-19

Cladding can be added to surround the firebox



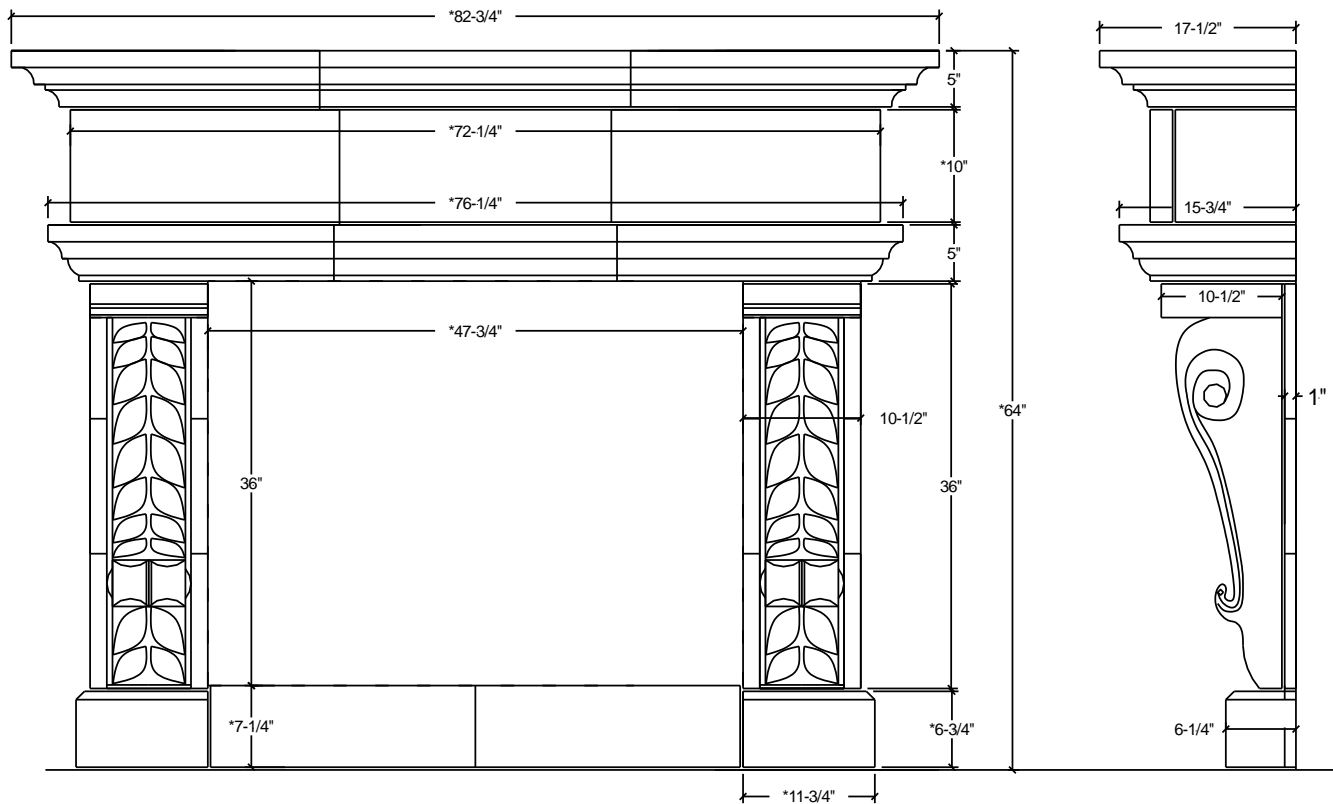
FP-19

Note: Decorative cartouche is optional



FP-19

CAST STONE FIREPLACES



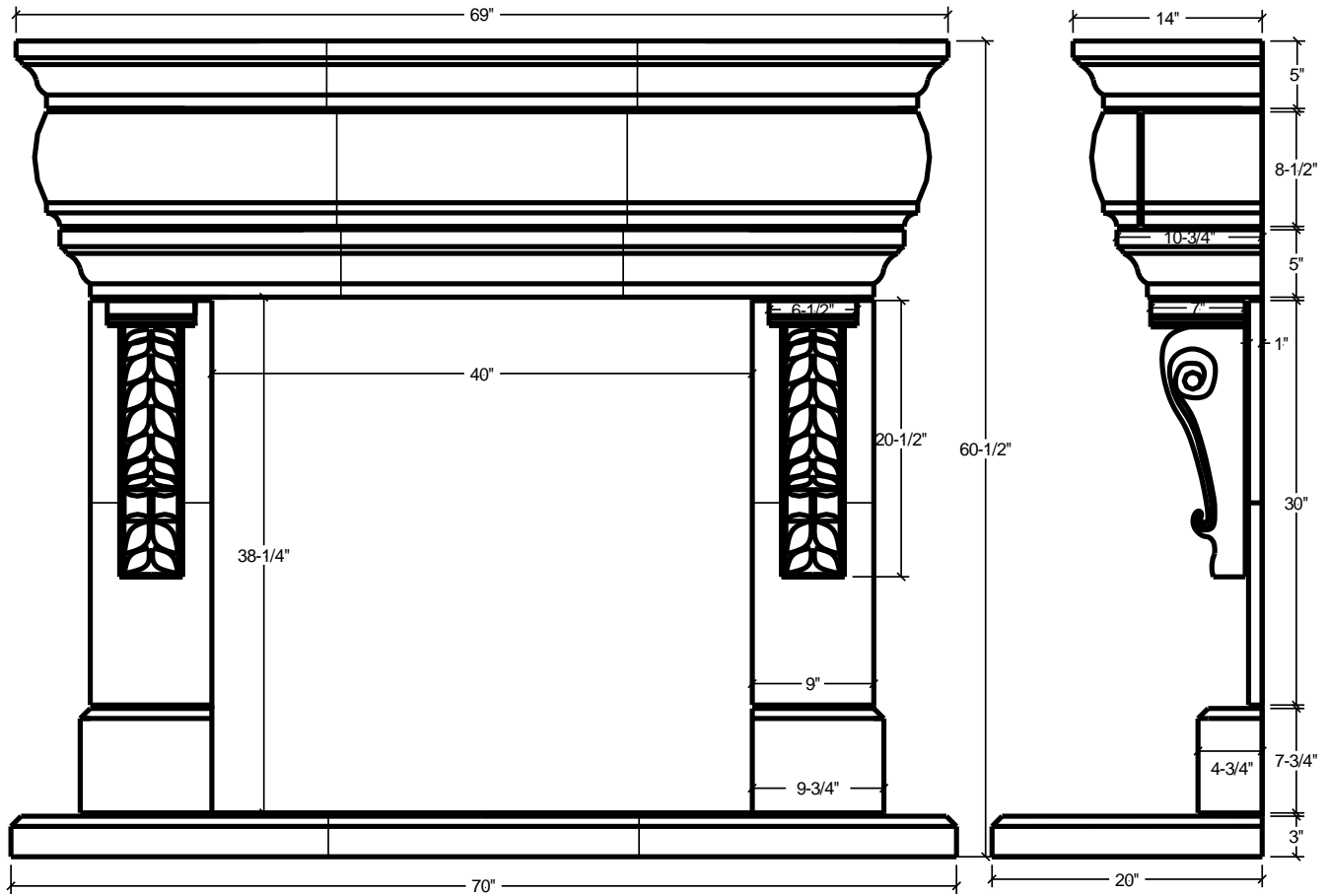
* Adjustable

Corbel drawing is approximate

FP-20

Cladding can be added to surround the firebox

CAST STONE FIREPLACES



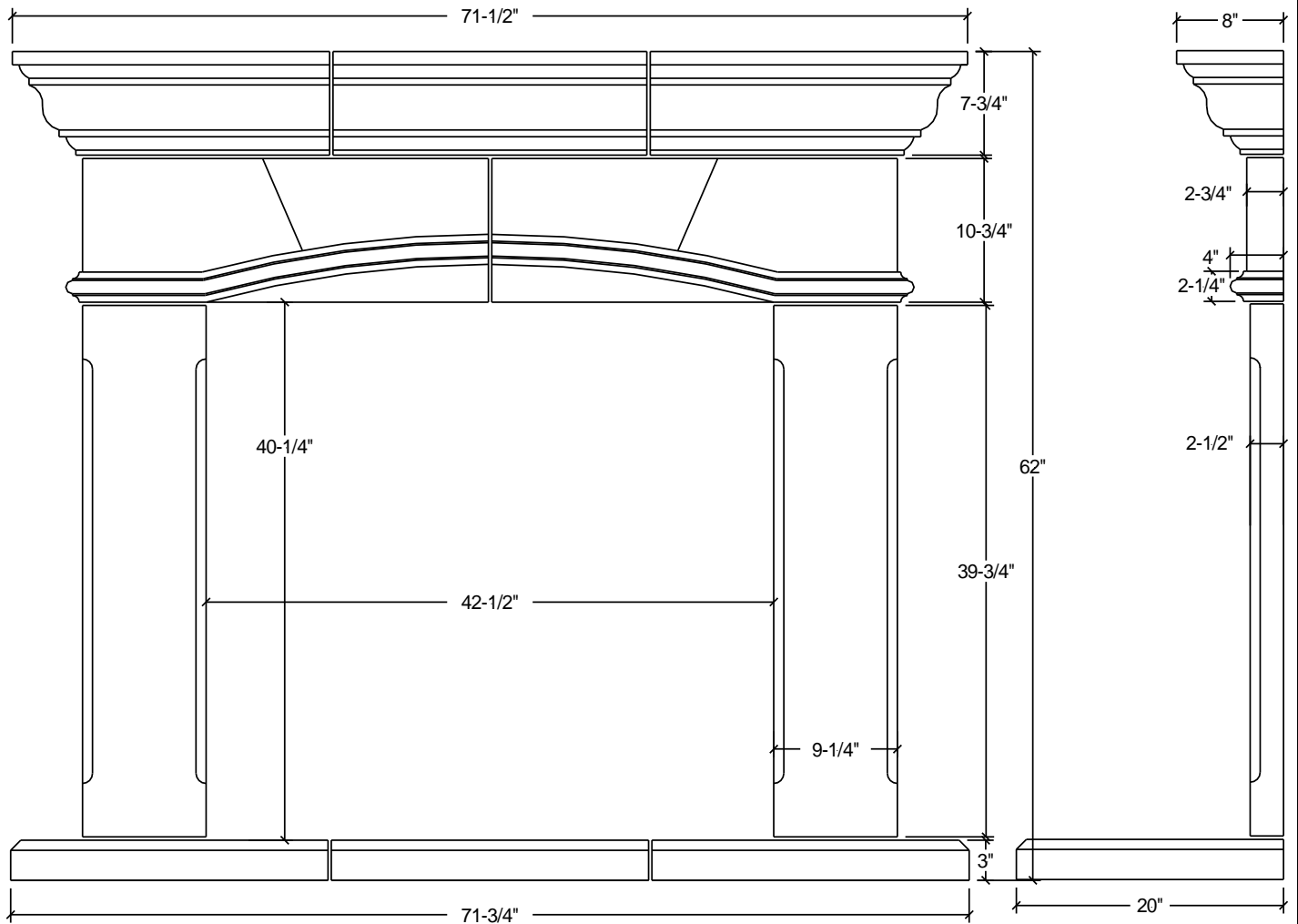
* Adjustable

Corbel drawing is approximate

FP-21

Cladding can be added to surround the firebox

CAST STONE FIREPLACES



FP-22

Cladding can be added to surround the firebox



FP-22

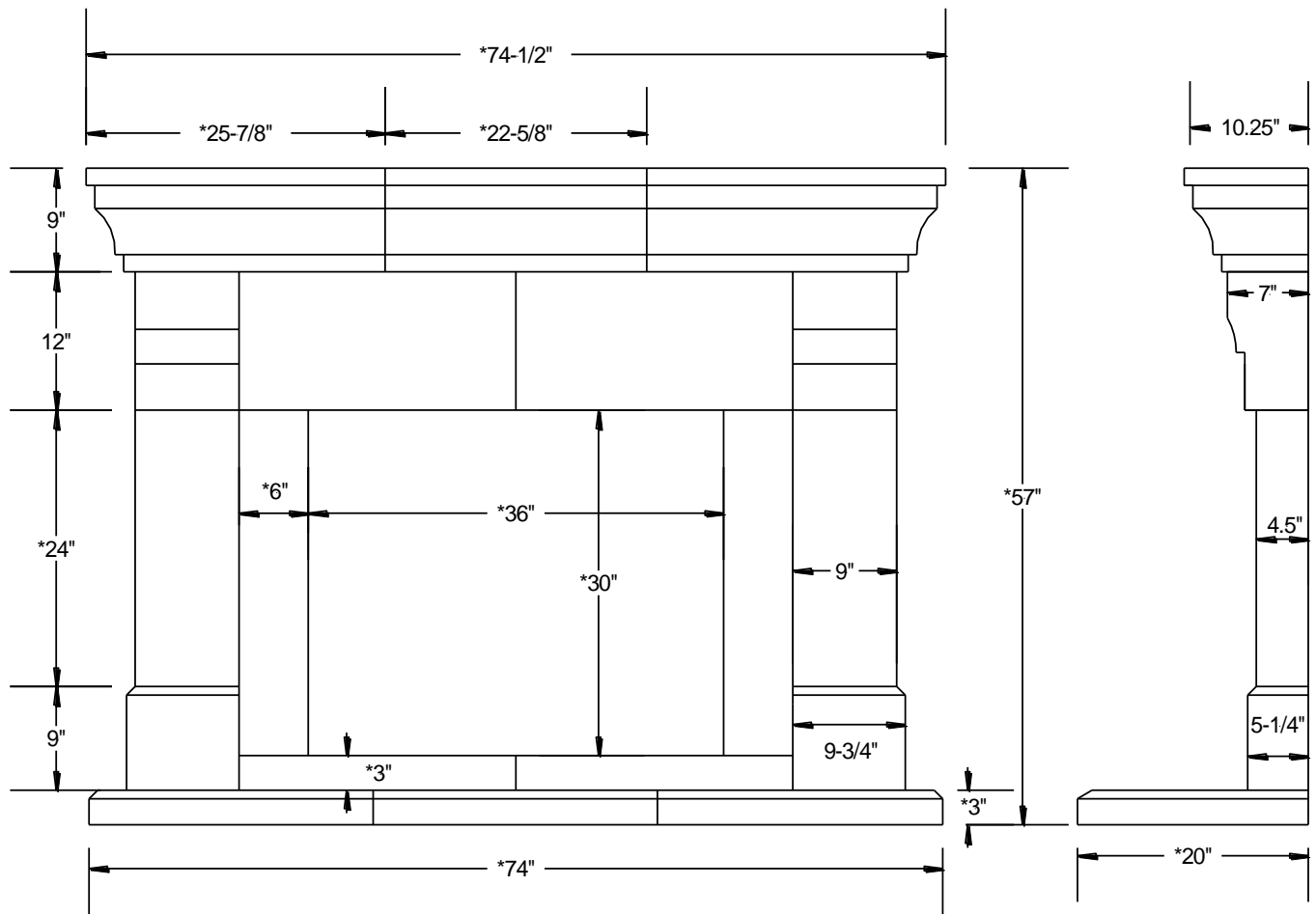


FP-22



FP-22

CAST STONE FIREPLACES



* Adjustable

FP-23
FPPB - 1

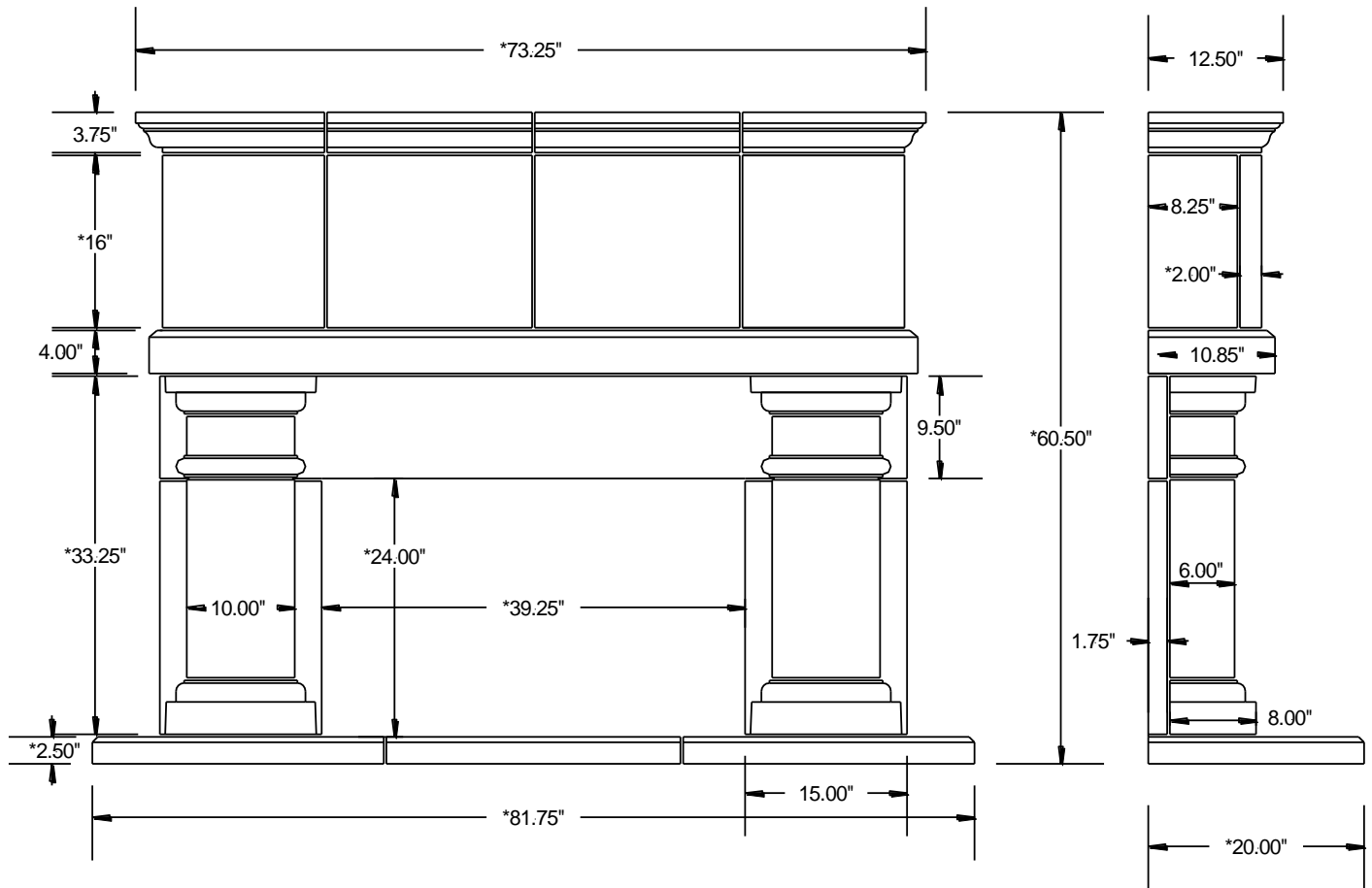


FP-23
FPPB-1



FP-23

CAST STONE FIREPLACES



* Adjustable

FP-24
FPSH

Cladding can be added to surround the firebox

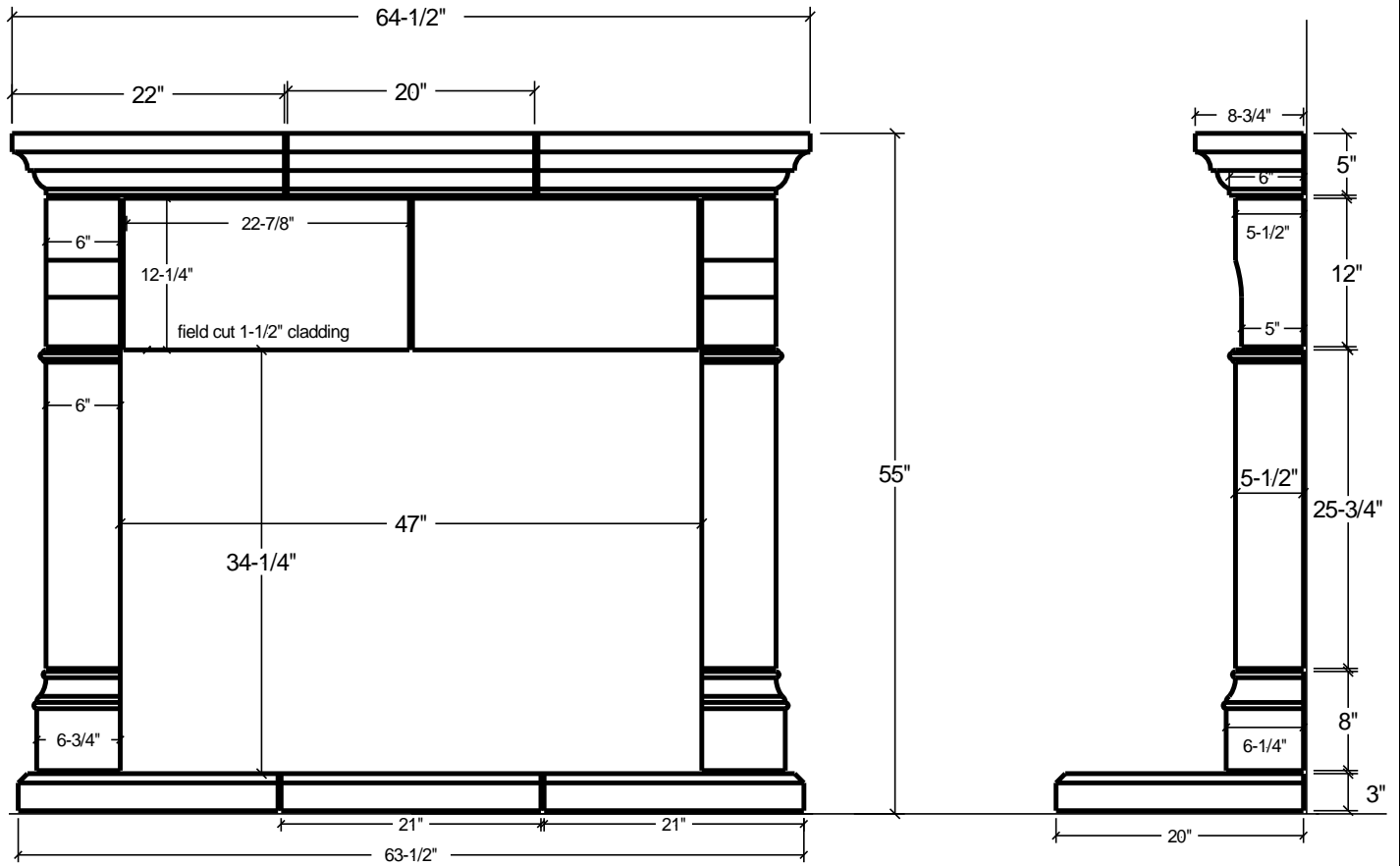


FP-24
FPSH



FP-25

CAST STONE FIREPLACES



FP-26

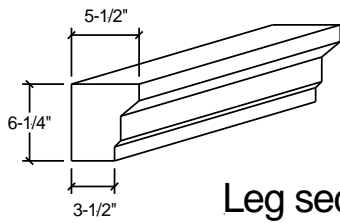
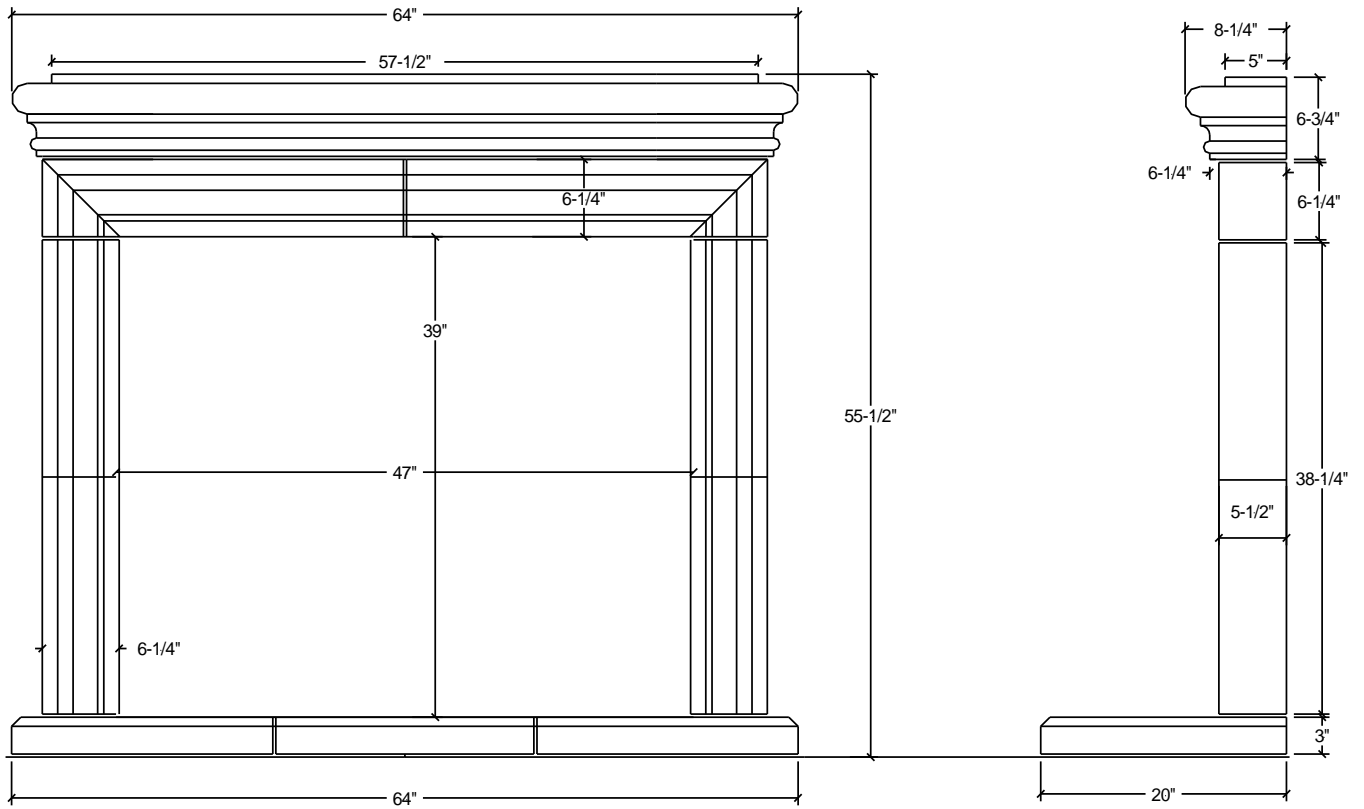


FP-26



FP-26

CAST STONE FIREPLACES



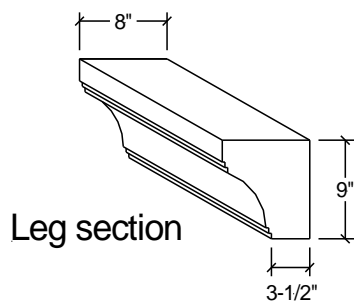
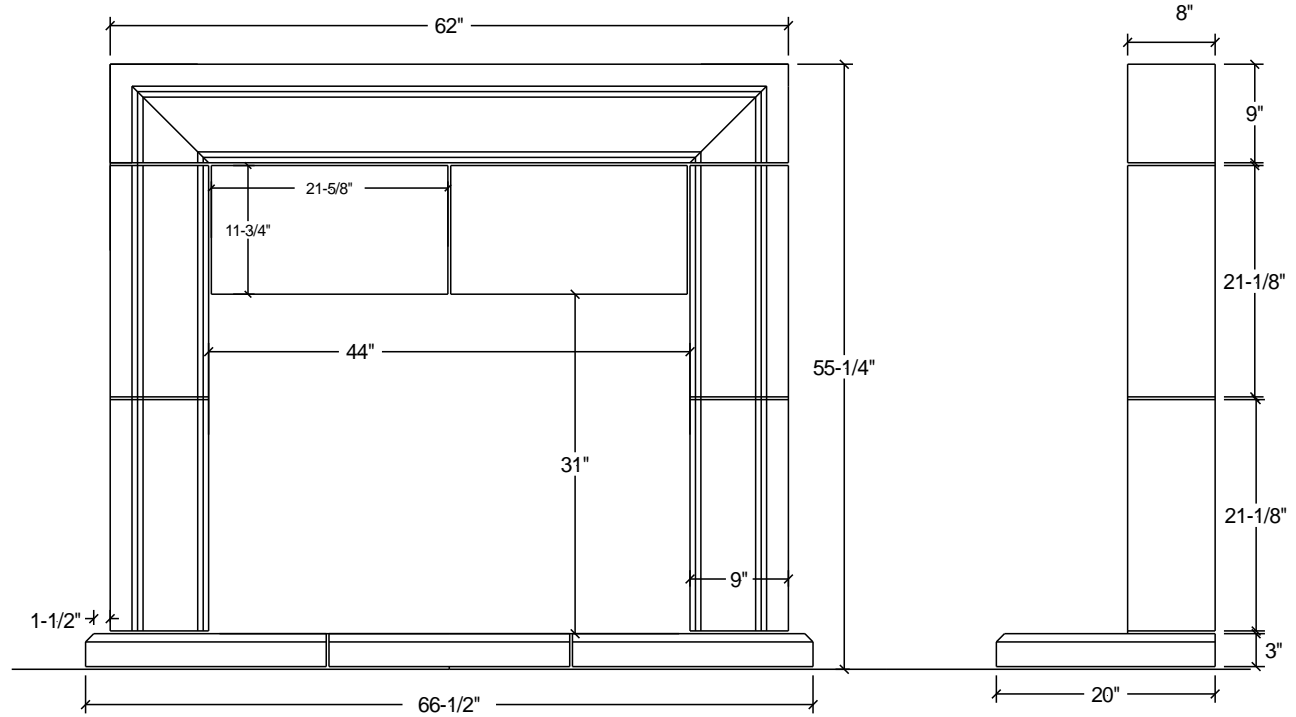
Leg section

FP-27



FP-27

CAST STONE FIREPLACES

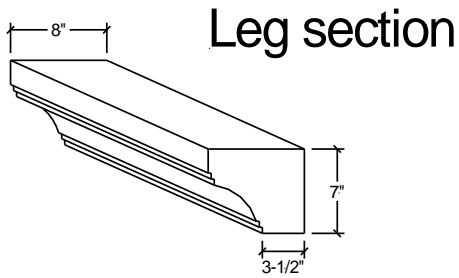
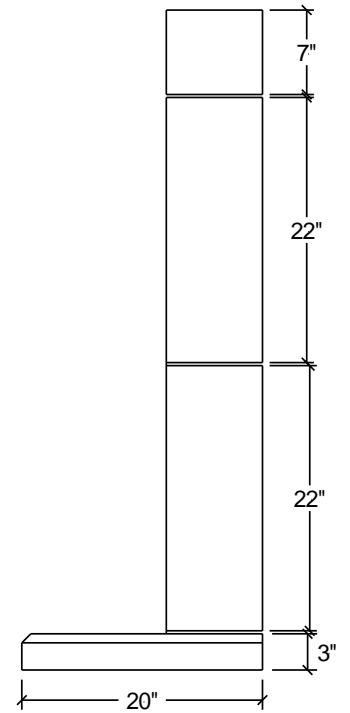
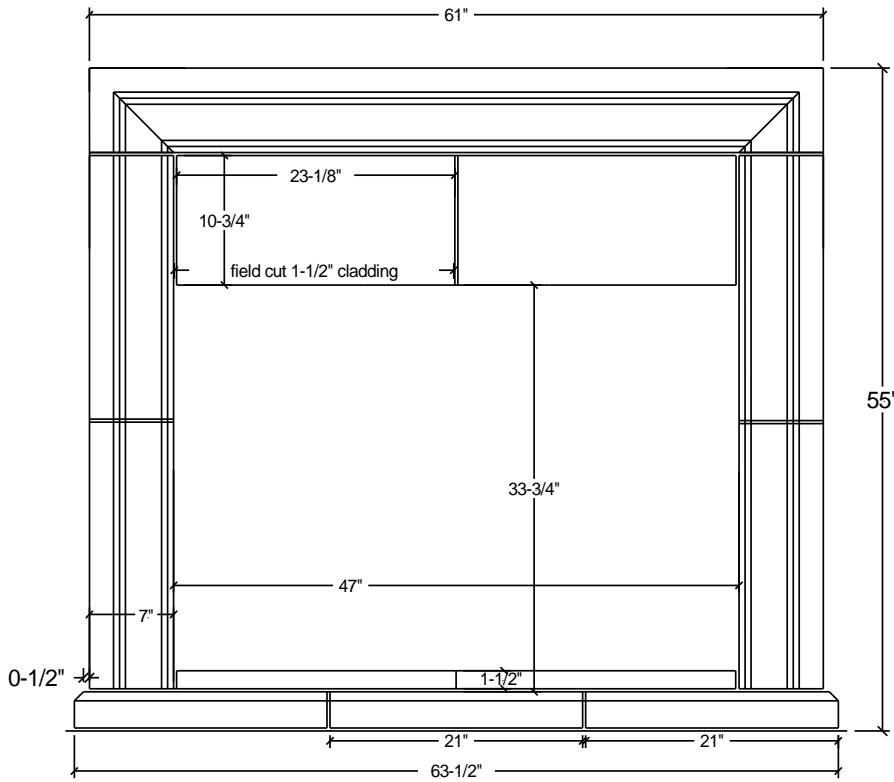


FP-28



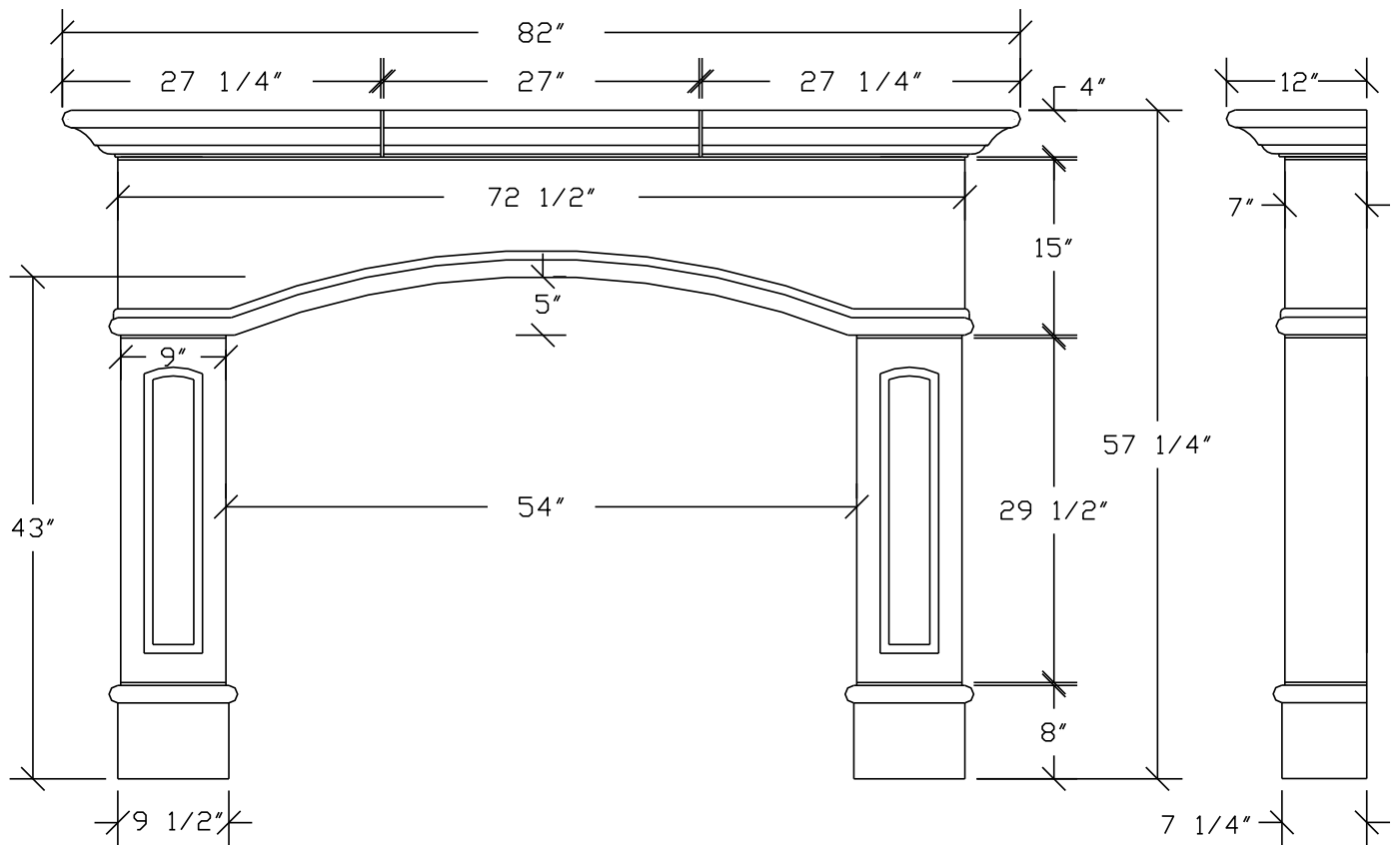
FP-28

CAST STONE FIREPLACES



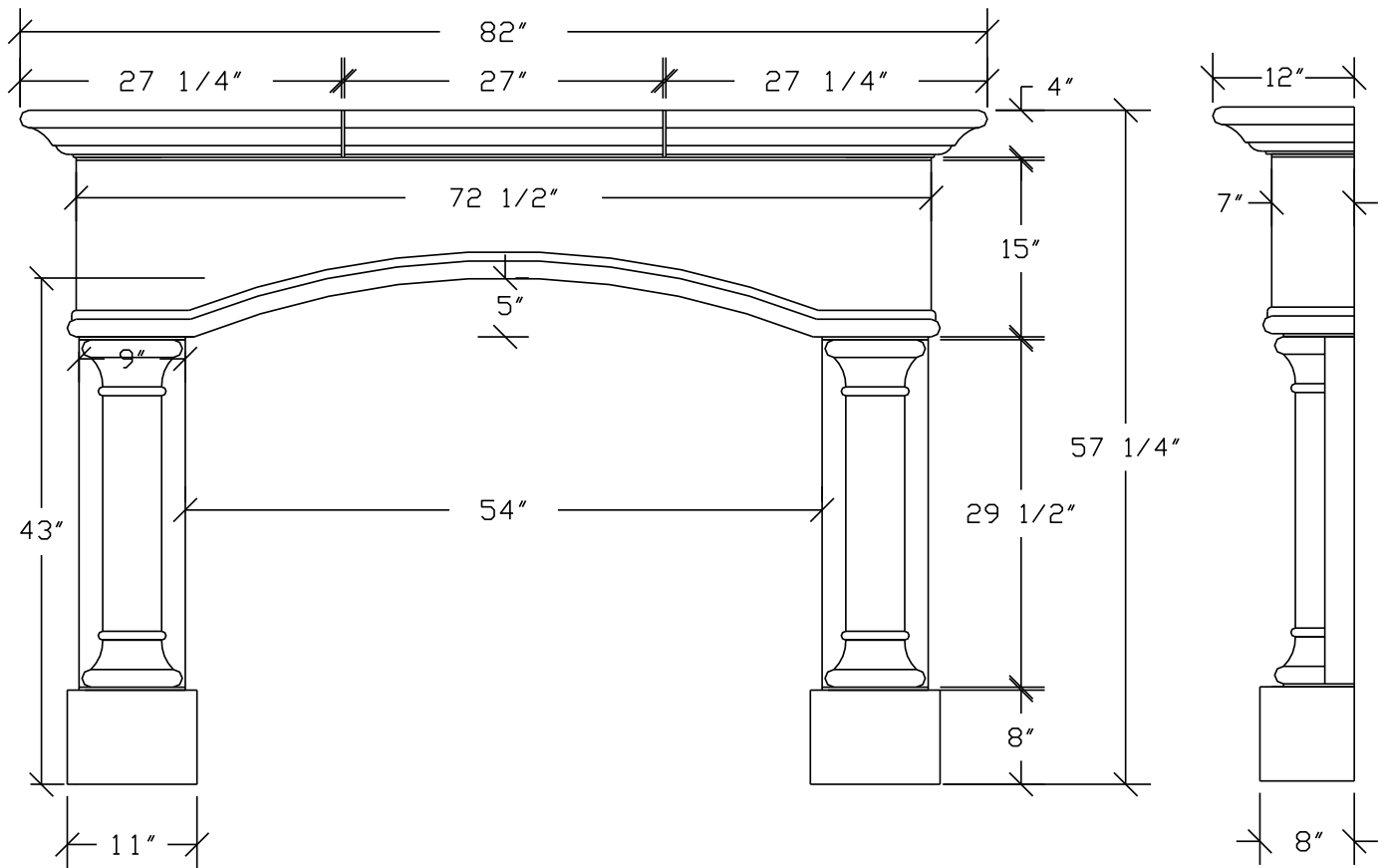
FP-29

CAST STONE FIREPLACES



FP-30
Katherine

CAST STONE FIREPLACES



FP-31

Julia

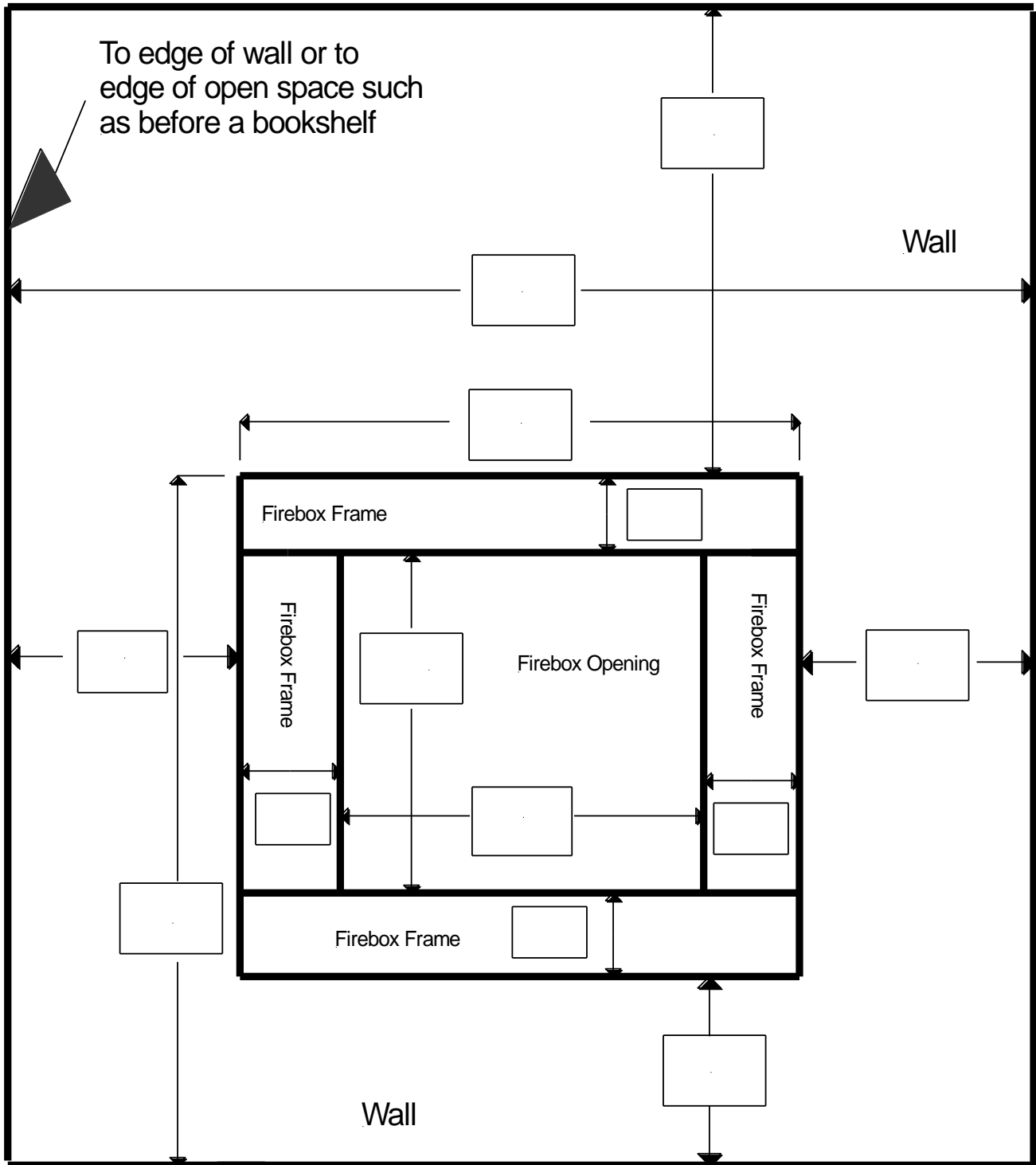


FP-31
Julia



FP-31

Firebox Dimensions Worksheet



Can the firebox frame be covered? Yes No Notes: _____

Other _____

Desired height to the top of the mantel: _____

Picture taken of fireplace location _____

Options Worksheet

Hearth:

No -

Yes: Standard 3" or Raised ___ or Flush

Note: _____

Flooring:

Type of flooring (circle one): Tile Wood Stone Other

Thickness of flooring: _____

Note: _____

Overmantel:

No -

Yes - Style: _____ Size: _____

Note: _____

Finishes:

Cast Stone - ↑

Mediterranean-↑

Old World: Light- Medium- Heavy- ↑

Color:

Texas Limestone – R103R - ↑

Renaissance – LB107R ----- ↑

Oyster – PNK08R ----- ↑

Fawn – S111R ----- ↑

Light Buff – LB02R ----- ↑