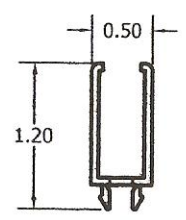
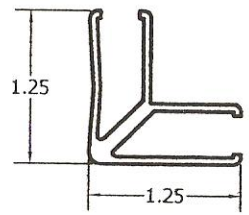


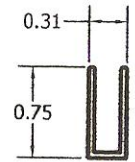
AZSS-2101



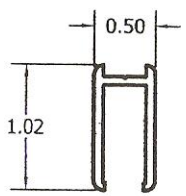
AZD-1007



AZSS-1104



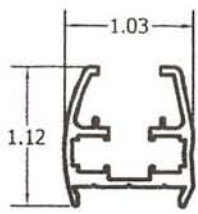
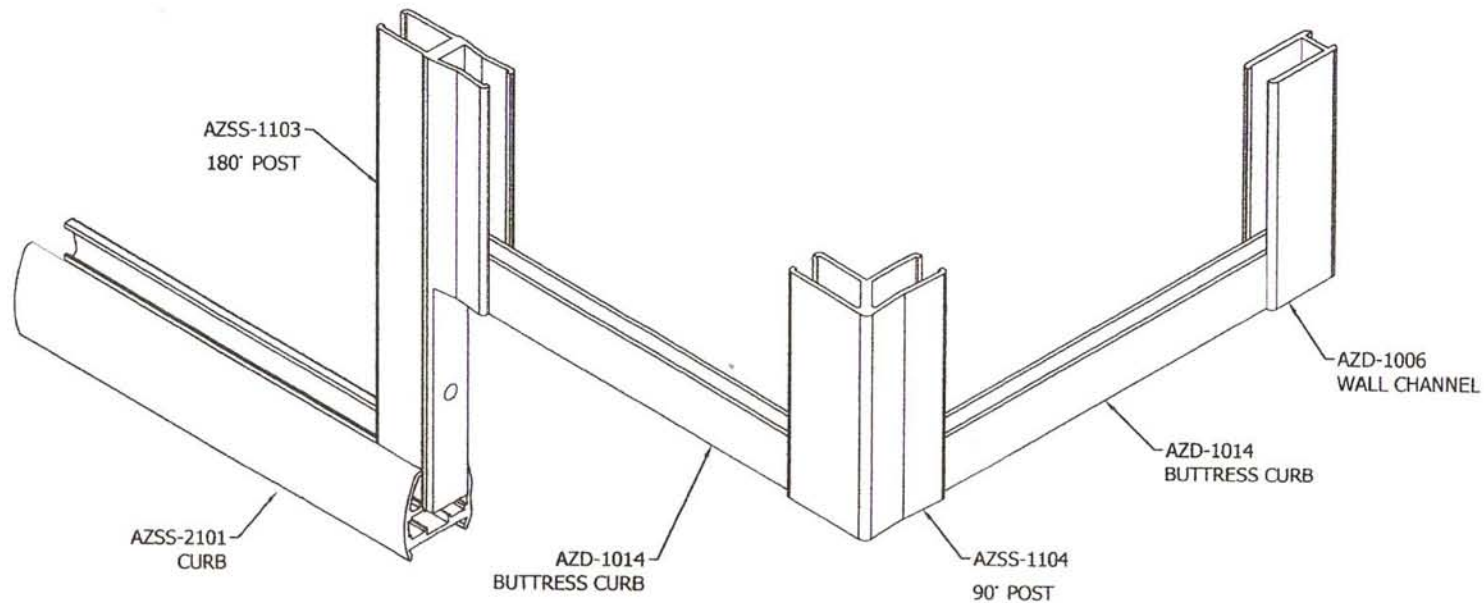
AZD-1014



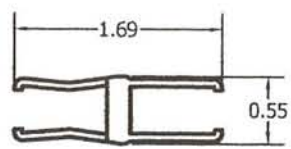
AZD-1006

FILE NAME
DATE
DRAWN
WT.FT.
PERIMETER:
UNMARKED WALLS
CORNERS AND FILLETS
CHECKED:

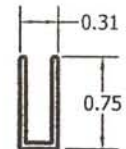
Arizona Shower Door 10600 E. 54th Ave. Unit-A Denver, CO 80239 Ph: 305-574-1766 Fax: 303-574-1775		
SCALE	PART NO	REV



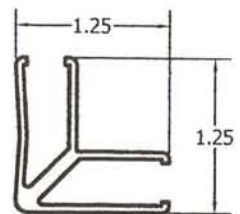
AZSS-2101



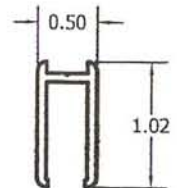
AZSS-1103



AZD-1014

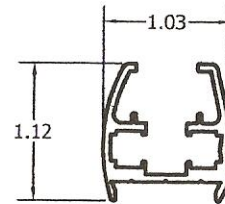
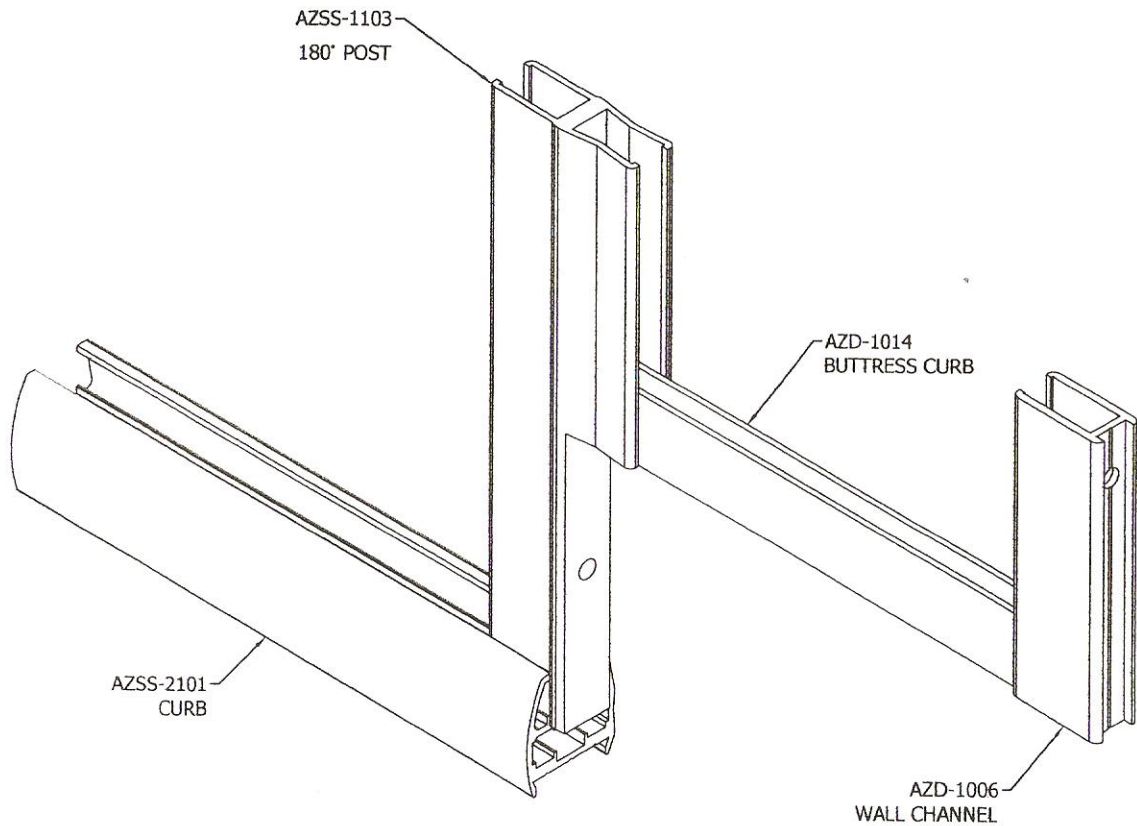


AZSS-1104

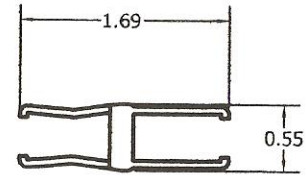


AZD-1006

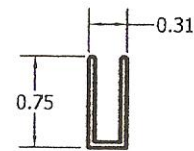
FILE NAME	Arizona Shower Door 10600 E. 54th Ave. Unit-A Denver, CO 80239 Ph: 305-574-1766 Fax: 303-574-1775		
DATE			
DRAWN	DESCRIPTION: BUTTRESS APPLICATION-IN LINE AND 90° PANEL		
WT. FT.			
PERIMETER:	SCALE	PART NO	REV
UNMARKED WALLS			
CORNERS AND FILLETS			
CHECKED:			



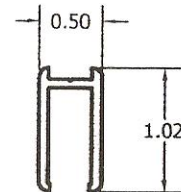
AZSS-2101



AZSS-1103

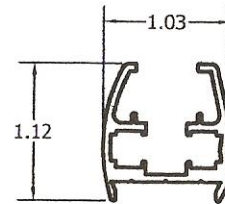
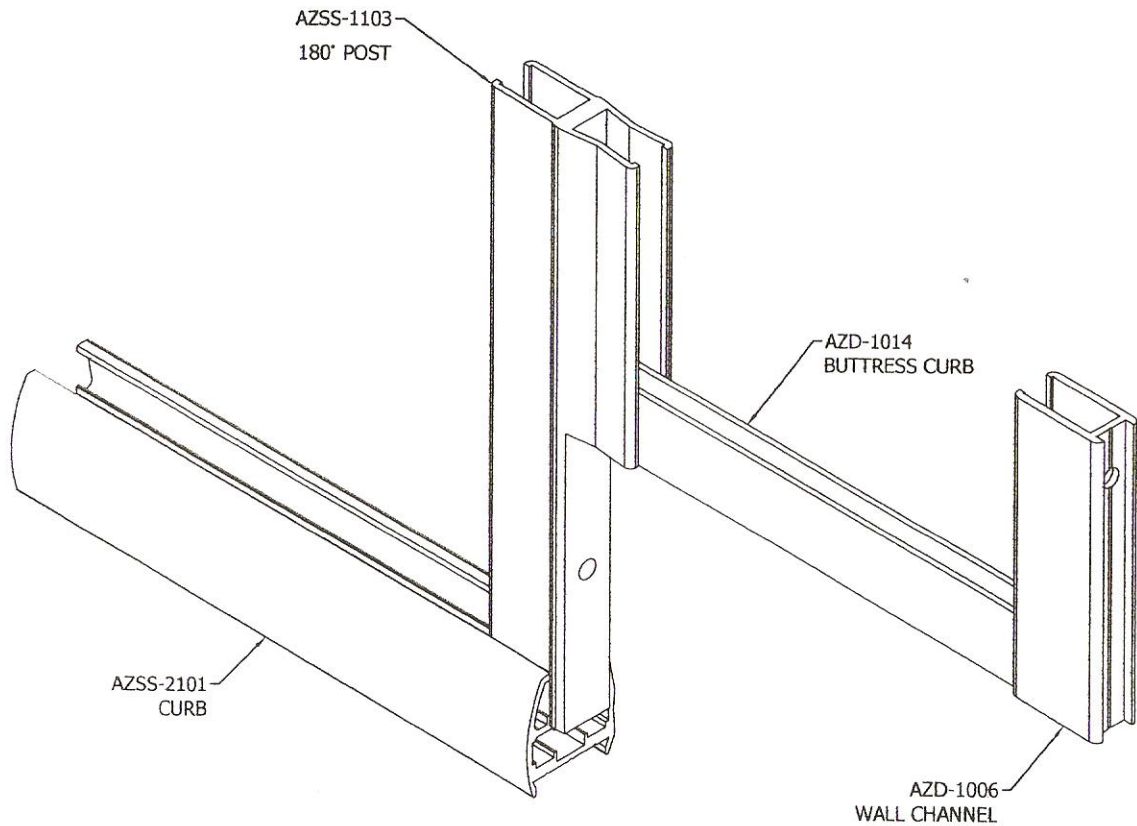


AZD-1014

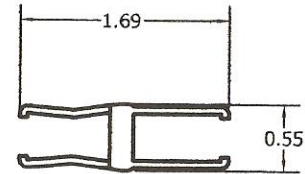


AZD-1006

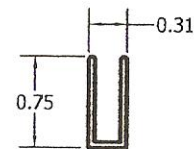
FILE NAME	Arizona Shower Door		
DATE			
DRAWN	10600 E. 54th Ave. Unit-A Denver, CO 80239		
WT.FT.	Ph: 305-574-1766 Fax: 303-574-1775		
PERIMETER:	DESCRIPTION:		
UNMARKED WALLS	BUTTRESS APPLICATION-PANEL IN LINE		
CORNERS AND FILLETS	SCALE	PART NO	REV
CHECKED:			



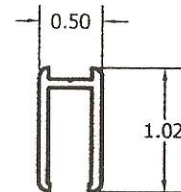
AZSS-2101



AZSS-1103



AZD-1014



AZD-1006

FILE NAME	Arizona Shower		
DATE	Door		
DRAWN	10600 E. 54th Ave. Unit-A Denver, CO 80239		
WT.FT.	Ph: 305-574-1766 Fax: 303-574-1775		
PERIMETER:	DESCRIPTION:		
UNMARKED WALLS	BUTTRESS APPLICATION-PANEL IN LINE		
CORNERS AND FILLETS	SCALE	PART NO	REV
CHECKED:			