



The Drop-In Christmas Tree Stand

For Installation Videos and Tips visit,
www.EazyTreezyTips.com



Instruction Manual



Contents



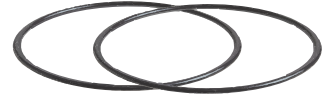
Eazy Treezy Base (A)
(X1)



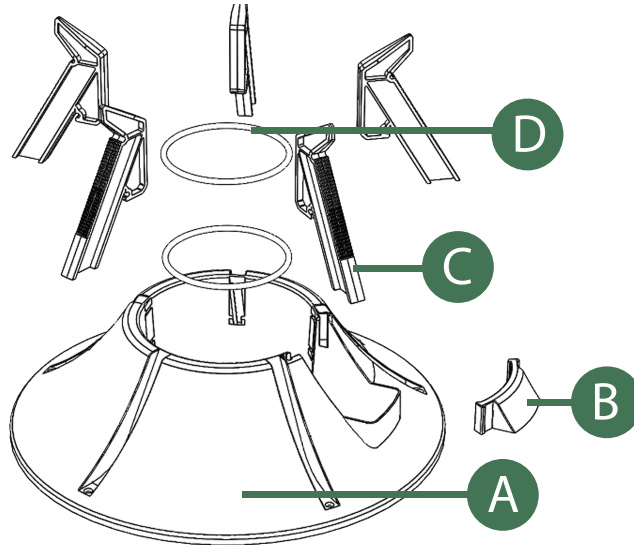
Bridge (B)
(X1)



Jaw (C)
(X5)



Tension Band (D)
(X2)



Important Safety Instructions

To protect against the risk of injury, follow the basic safety precautions below:

- Read all instructions.
- For your safety keep feet and hands away from jaws to prevent crushing or pinching, while installing or removing the tree.
- Keep your tree away from heat sources such as fireplaces, stoves, baseboard/floor heaters.
- Do not store the Eazy Treezy™ stand in direct sunlight when not in use. The UV light can deteriorate the Tension Bands.

Care and Maintenance

Tips for keeping a Fresh Tree

- 1) Place tree into water within two hours of getting a fresh cut.
- 2) Do not allow the water level in the Eazy Treezy™ to drop below the bottom of the tree trunk.
- 3) Keep your tree away from heater vents or fireplaces.

Choosing and Preparing your Tree



- Choosing The Ideal Tree:

- * Compatible with trees from 4 feet to 10 feet tall.
- * Tree Trunk Diameter must be between 2.5" to 5.5".

Prepping The Tree

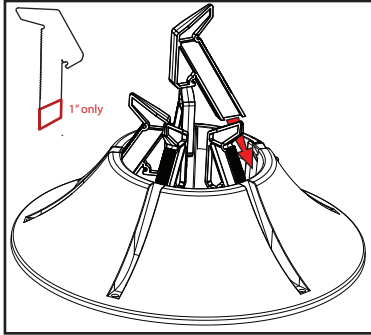
- * IMPORTANT

Before installing, please cut all branches on the lower 10" of the tree trunk to prevent interference with the jaws and tension band.

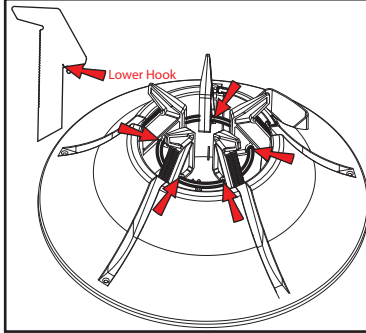
- Compatible tree heights range from 4 feet -10 feet.

- Compatible tree trunk: a diameter range from 2.5 inches - 5.5 inches.

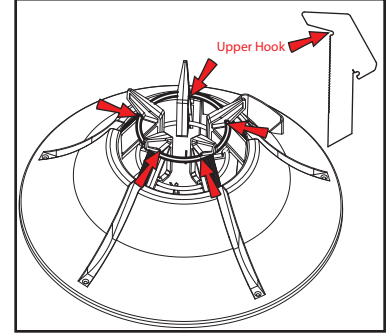
Assembling your Eazy Treezy™



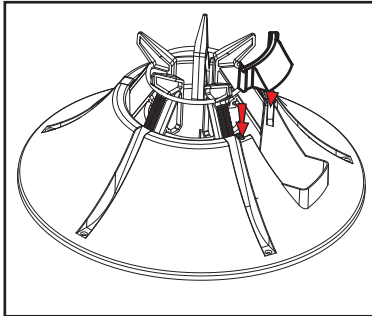
1) Insert each of the 5 Jaws (B) into the slots along the rim of the Base (A). Insert each Jaw no more than one inch at this time.



2) Loop one Tension Band (D) around the lower hooks on all 5 of the Jaws (B).



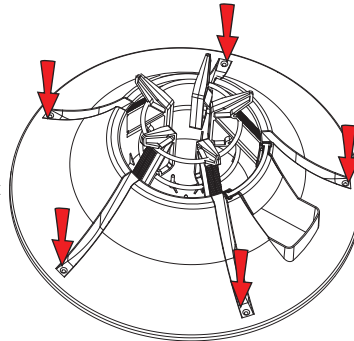
3) Loop the other tension band (D) around the upper hooks on all 5 of the Jaws (B).



4) Insert bridge into Base (A).

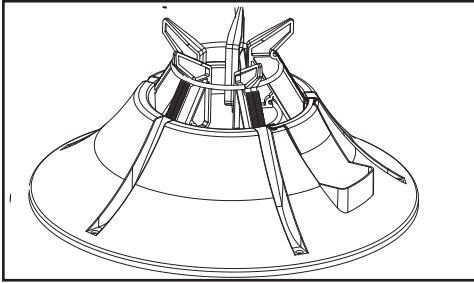
Screw hole locations

*If greater stability is desired, mount Eazy Treezy™ to a piece of plywood at least 24 in. x 24 in. with 5 wood screws (not included) through the 5 screw holes in Base.

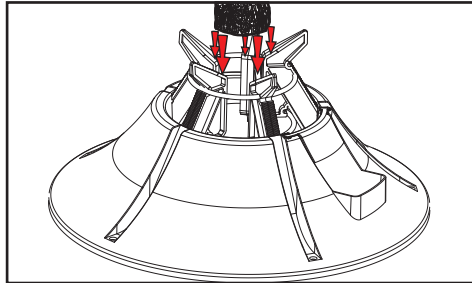


Helpful Tip: The Tension Bands (D) do not need to be stretched after install.

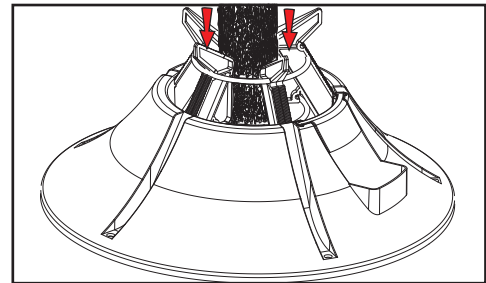
Installing the Tree



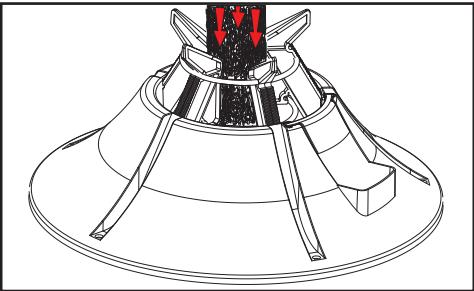
1) Place Eazy Treezy™ tree stand on flat and level ground. Pull all of the Jaws (C) up so they are fully extended, without pulling them out of their respective slots.



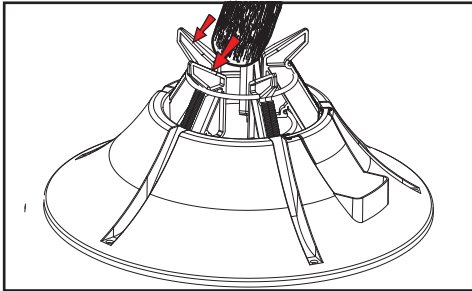
2) Lift tree above Eazy Treezy™ tree stand and rest on top of jaws.



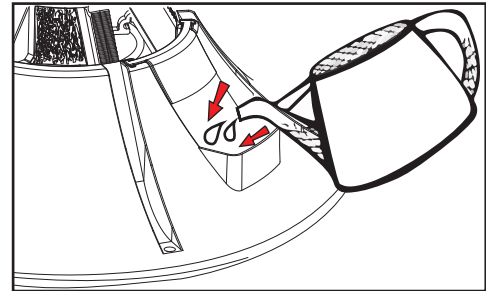
3) While resting the tree on the Jaws, tilt tree so it is straight and level. It is recommended to have another person here to help view the tree from across the room.



4) Once level, firmly push tree straight down into the base to lock it in place.

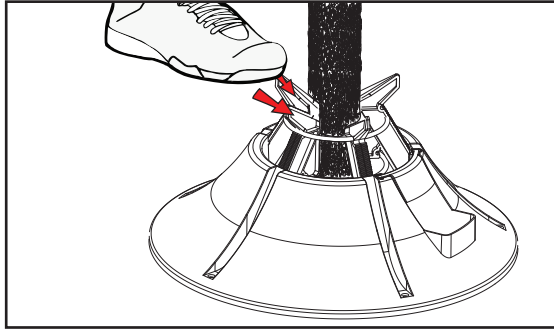


Helpful Tip: If the tree has gone in crooked: Either remove, and reinstall OR push down on one or two Jaws on the side which you would like your tree to lean more toward. Tilt tree into desired position, then release Jaws.

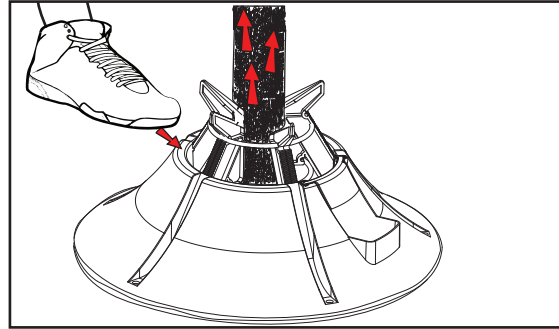


5) Add water into check and fill spout, check water level daily and refill as needed.

Removing the Tree



1) To remove the tree, step down on 2 of the locking Jaws.



2) Place foot on the Eazy Treezy™ upper rim of the base, and pull tree by the trunk straight up and out.

FAQ'S

Is the Eazy Treezy stand reusable? Yes! The Eazy Treezy stand can be used over and over, year after year.

What are the 5 holes for around the perimeter? If you have a very large tree or maybe a few rambunctious kids running around that might decide to attempt a flying tackle on your beautifully decorated Christmas tree, you can have an added degree of security by screwing down your Eazy Treezy stand to a large piece of plywood...or if you're really committed, right into your hardwood floor, but we don't recommend that.

How tall of a tree can I put in the Eazy Treezy stand? The Eazy Treezy stand can accommodate Christmas trees up to 10 feet tall with trunk diameters between 2 ½ to 5 ½ inches.

FAQ'S Continued

How do I remove the tree when I'm done? 1) Step on the top lip of the base of the Eazy Treezy stand, 2) the tree straight up and out. Note: occasionally a branch stub may get caught under a jaw, in this case use your foot or hand to push down on the jaw, then lift out the tree.

What if I put my tree in crooked? Let's face it, we all make mistakes. There may come a time in your excitement to get your tree set up faster than ever that you might drop it in crooked. Now what? Well, you have two choices: 1) Lift the tree out and try again, or 2) push down on one or two of the jaws on the side of the Eazy Treezy that you'd like the tree to lean toward, then push the tree upright and release the jaws.

What are the steps to install a tree in the Eazy Treezy stand? 1) Lift your tree and set it on top of the patented angled Eazy Treezy jaws, 2) position your tree so that is straight up-and-down, 3) Push it down. That's it. Just drop in and done.

How often do I add water? In order to keep your tree fresh and green it will need a good supply of water. After you bring your Christmas tree home, get the bottom of the fresh cut trunk into your Eazy Treezy and add water as soon as possible. It's important that the water level not drop below the bottom of the tree trunk, which will be ¼ of an inch to 1 inch off the bottom of the base. Use the check and fill spout to monitor the water level regularly and add water as necessary.



©2020 ALLSTAR INNOVATIONS

Eazy Treezy™ is a trademark of Eazy Innovations LLC

Distributed by ALLSTAR INNOVATIONS

Hawthorne, NY 10532

Made in the USA.

Patent Pending.

The Drop-In Christmas Tree Stand