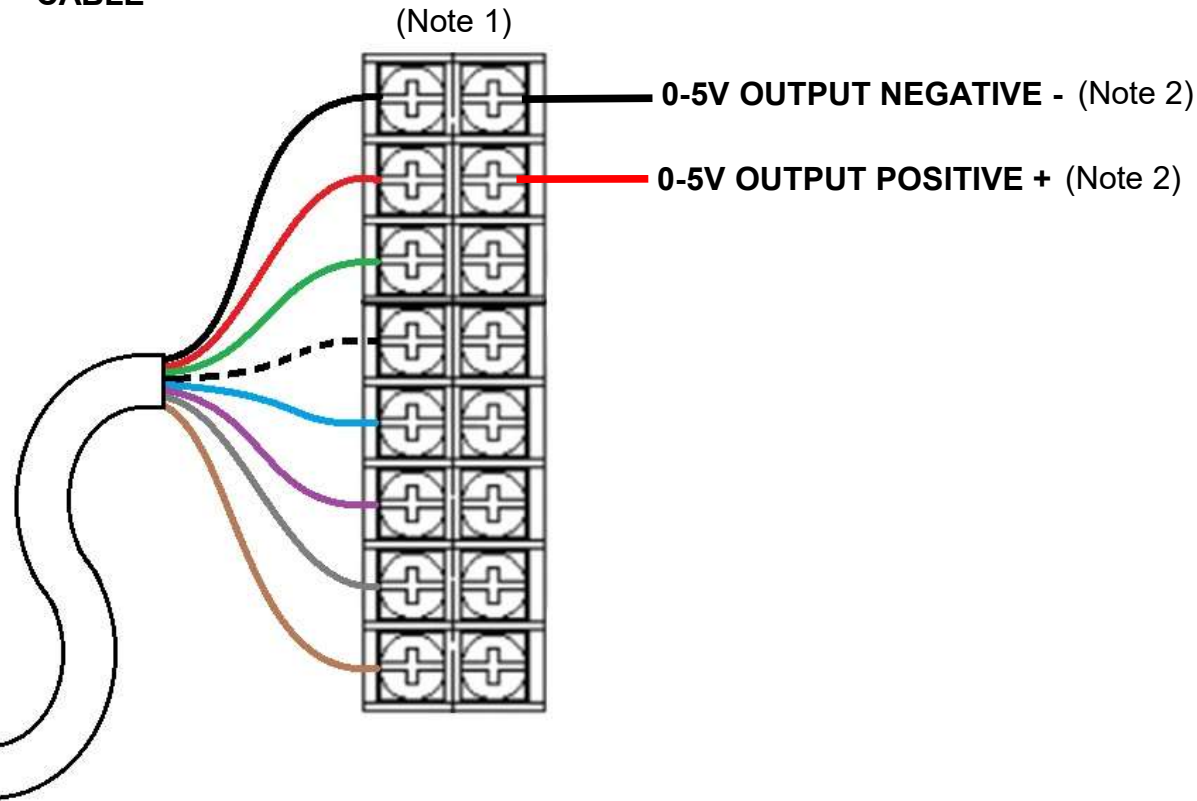
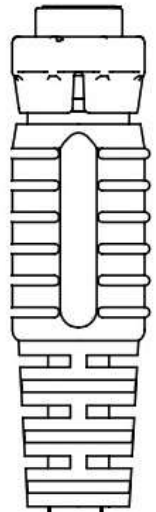




**8-PIN  
INTERFACE  
CABLE**



8-PIN INTERFACE CABLE WIRING	
COLOR	DESIGNATION
<b>BLACK</b>	0-5V OUT NEGATIVE -
<b>RED</b>	0-5V OUT POSITIVE +
<b>GREEN</b>	4-20mA OUT NEGATIVE -
WHITE	4-20mA OUT POSITIVE +
<b>BLUE</b>	12VDC OUTPUT POSITIVE+
<b>PURPLE</b>	24VDC INPUT POSITIVE +
GREY	FLOW PULSE NEGATIVE -
<b>BROWN</b>	GROUND GND

<b>DRAWING</b>	Well Bubbler Wiring Diagram: 0- 5V Output						
<b>VERSION</b>	1.1	<b>PAGE</b>	1 OF 1	<b>DATE</b>	01/09/21	<b>DRAWN BY</b>	A. BUGROV
<b>NOTES</b>							
1	All interface wiring to be made liquid tight using NEMA- or IP-rated components						
2	Output is live / active - do NOT apply external voltage						
3							
4							
5							
6							
7							