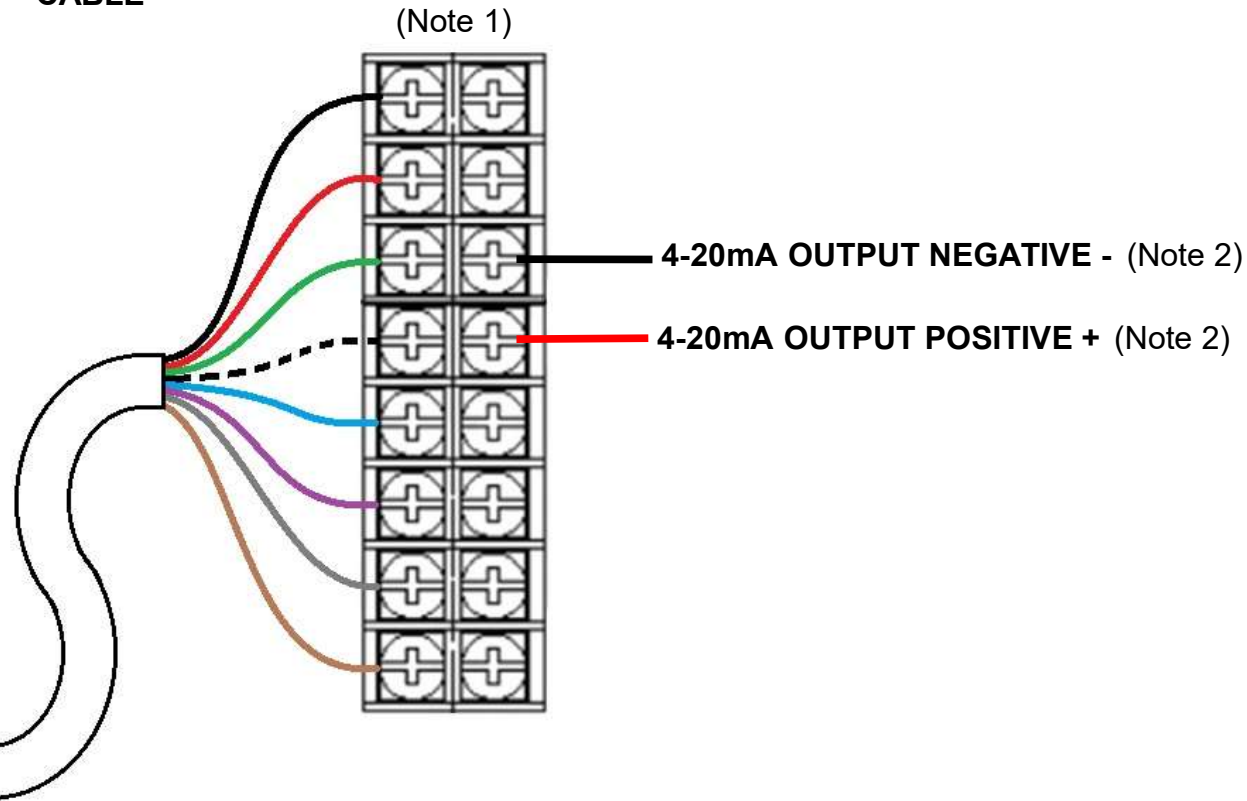
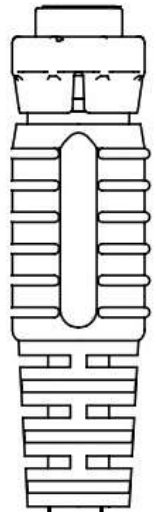




**8-PIN
INTERFACE
CABLE**



8-PIN INTERFACE CABLE WIRING	
COLOR	DESIGNATION
BLACK	0-5V OUT NEGATIVE -
RED	0-5V OUT POSITIVE +
GREEN	4-20mA OUT NEGATIVE -
WHITE	4-20mA OUT POSITIVE +
BLUE	12VDC OUTPUT POSITIVE+
PURPLE	24VDC INPUT POSITIVE +
GREY	FLOW PULSE NEGATIVE -
BROWN	GROUND GND

DRAWING	Well Bubbler Wiring Diagram: 4- 20mA Output						
VERSION	1.1	PAGE	1 OF 1	DATE	01/09/21	DRAWN BY	A. BUGROV
NOTES							
1	All interface wiring to be made liquid tight using NEMA- or IP-rated components						
2	Output is passive, not a current source - apply external 12Vdc to 36Vdc						
3							
4							
5							
6							
7							