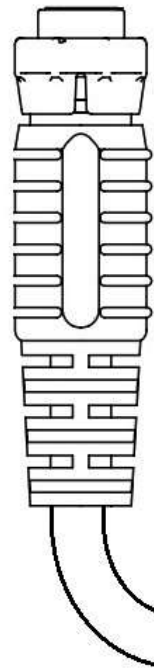


**6-PIN  
INTERFACE  
CABLE**

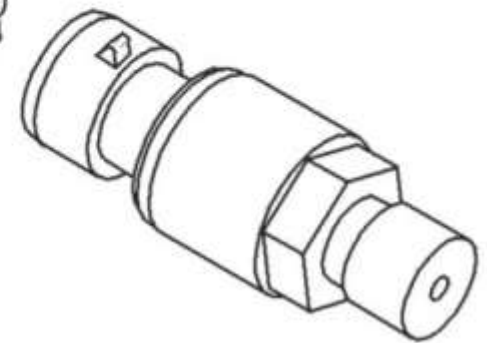
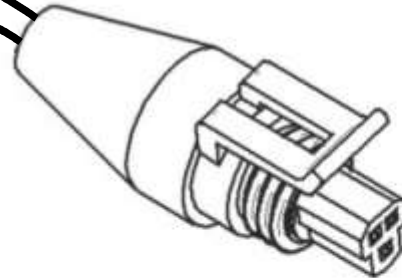


(Note 1)



**PRESSURE  
POSITIVE +**

**PRESSURE  
NEGATIVE -**



**PRESSURE  
TRANSDUCER  
(Note 2, 3)**

6-PIN INTERFACE CABLE WIRING	
COLOR	DESIGNATION
<b>BLACK</b>	PUMP CURRENT 4- 20mA POSITIVE +
WHITE	PUMP PRESSURE 4- 20mA POSITIVE +
<b>GREEN</b>	FLOW METER 4- 20mA POSITIVE +
<b>RED</b>	ALL 4-20mA NEGATIVE -
<b>BLUE</b>	PUMP RELAY
<b>PURPLE</b>	PUMP RELAY

<b>DRAWING</b>	Well Bubbler Wiring Diagram: Discharge Pressure						
<b>VERSION</b>	1.1	<b>PAGE</b>	1 OF 1	<b>DATE</b>	01/09/21	<b>DRAWN BY</b>	A. BUGROV

NOTES	
<b>1</b>	All interface wiring to be made liquid tight using NEMA- or IP-rated components
<b>2</b>	Sensor must be compatible with 12Vdc excitation
<b>3</b>	Sensor must be compatible with 1000ms (1.0s) excitation
<b>4</b>	