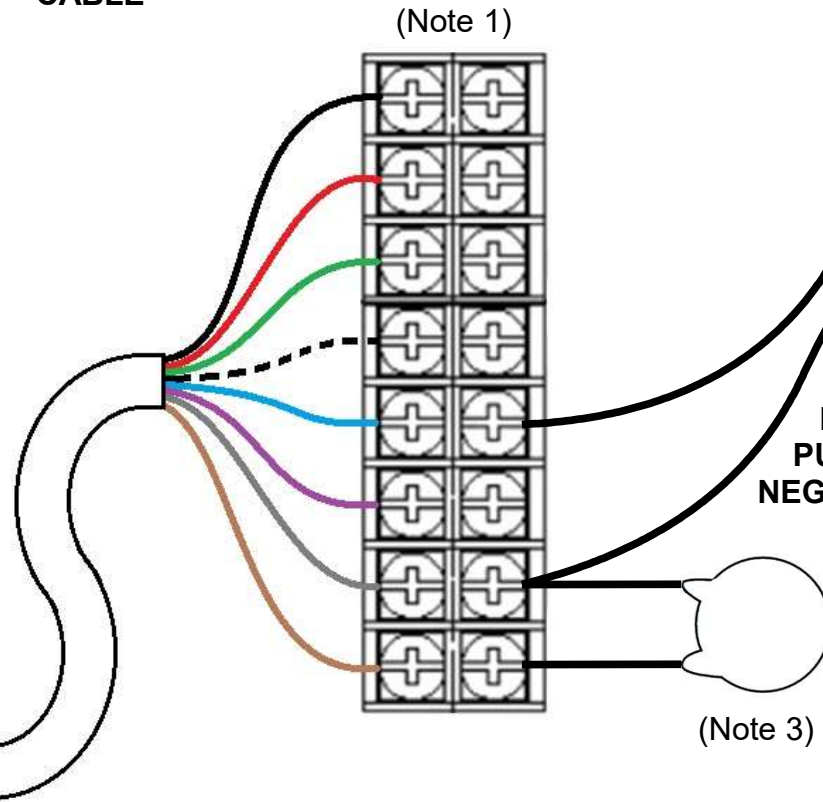
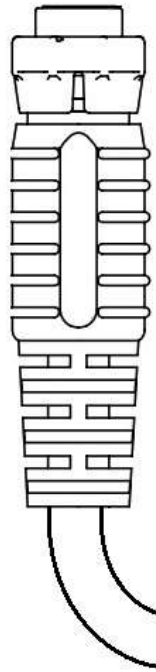


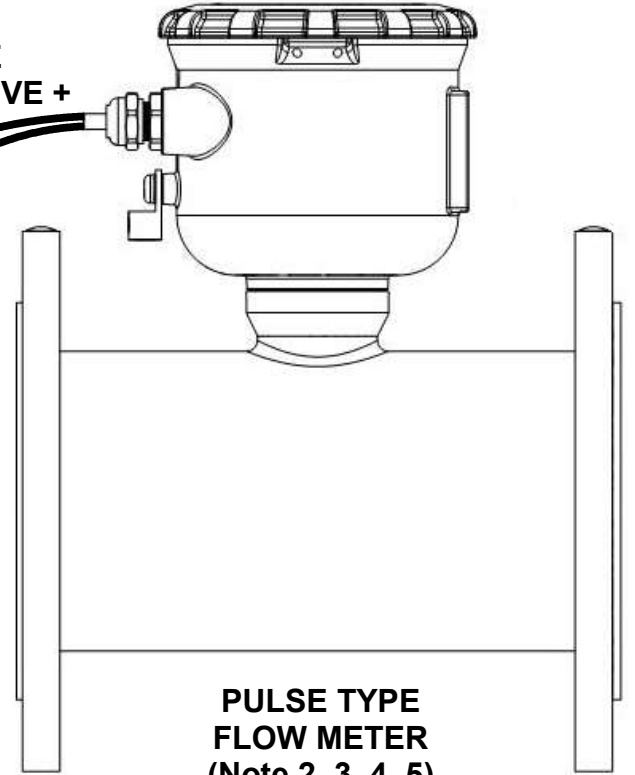


**8-PIN
INTERFACE
CABLE**



**FLOW
PULSE
POSITIVE +**

**FLOW
PULSE
NEGATIVE -**



**PULSE TYPE
FLOW METER
(Note 2, 3, 4, 5)**

8-PIN INTERFACE CABLE WIRING	
COLOR	DESIGNATION
BLACK	0-5V OUT NEGATIVE -
RED	0-5V OUT POSITIVE +
GREEN	4-20mA OUT NEGATIVE -
WHITE	4-20mA OUT POSITIVE +
BLUE	12VDC OUTPUT POSITIVE+
PURPLE	24VDC INPUT POSITIVE +
GREY	FLOW PULSE NEGATIVE -
BROWN	GROUND GND

DRAWING	Well Bubbler Wiring Diagram: Flow Meter, Pulse Type						
VERSION	1.1	PAGE	1 OF 1	DATE	01/09/21	DRAWN BY	A. BUGROV

NOTES	
1	All interface wiring to be made liquid tight using NEMA- or IP-rated components
2	Compatible with dry contact / reed switch, isolated and open collector pulse types
3	Install leaded filter capacitor to mitigate EMI noise if necessary; 0.1UF to 10UF
4	Flow meter output cable shield must be drained to earth ground
5	Flow meter output 1 gallon per pulse to 1,000 gallons per pulse
6	
7	