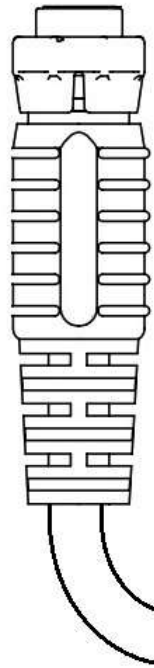
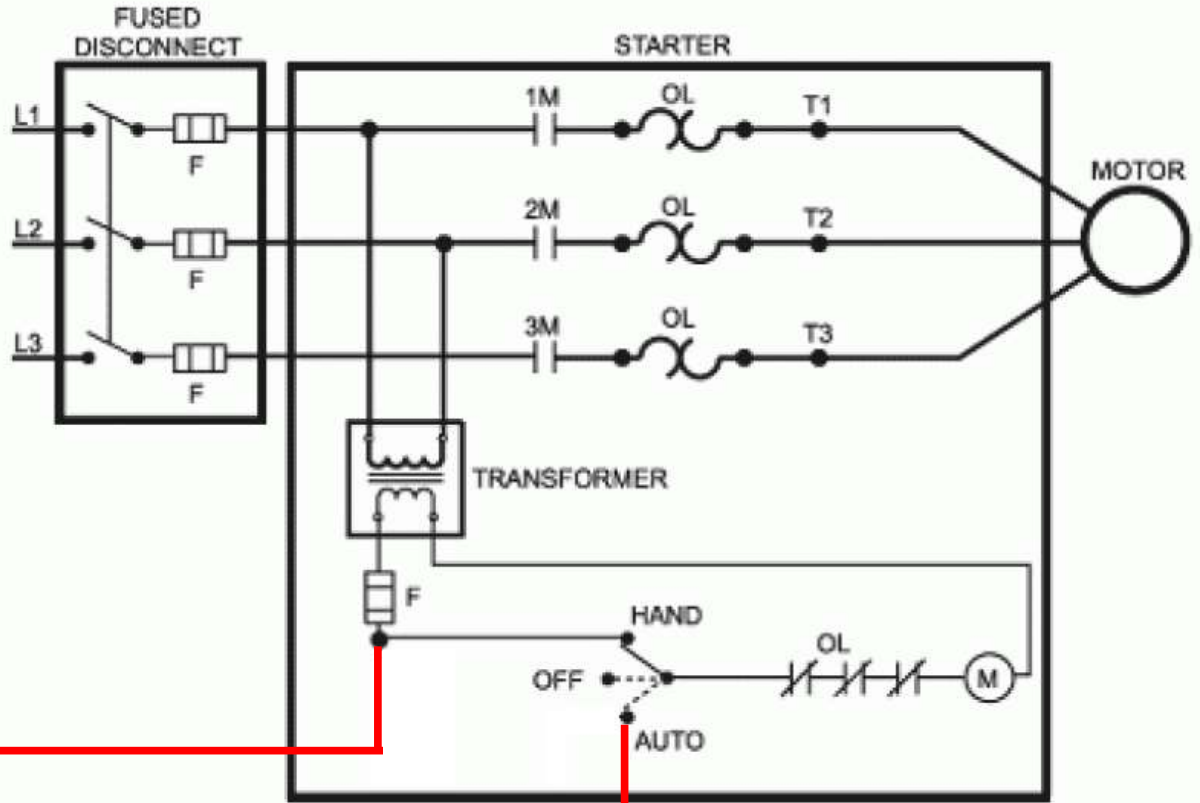
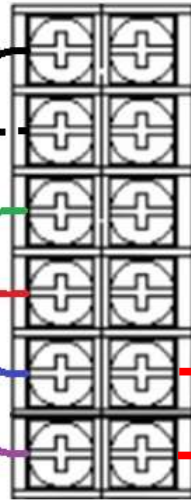


**6-PIN
INTERFACE
CABLE**



(Note 1)



**PUMP CONTROL PANEL
(Note 2, 3)**

6-PIN INTERFACE CABLE WIRING	
COLOR	DESIGNATION
BLACK	PUMP CURRENT 4- 20mA POSITIVE +
WHITE	PUMP PRESSURE 4- 20mA POSITIVE +
GREEN	FLOW METER 4- 20mA POSITIVE +
RED	ALL 4-20mA NEGATIVE -
BLUE	PUMP CONTROL RELAY
PURPLE	PUMP CONTROL RELAY

DRAWING	Well Bubbler Wiring Diagram: Pump Control Relay						
VERSION	1.1	PAGE	1 OF 1	DATE	01/09/21	DRAWN BY	A. BUGROV

NOTES	
1	All interface wiring to be made liquid tight using NEMA- or IP-rated components
2	Use Well Bubbler to operate pump control relay coil
3	Do NOT connect pump load directly to Well Bubbler - relay required
4	Well Bubbler relay is single pole, latching; maximum load 1A @ 250Vac