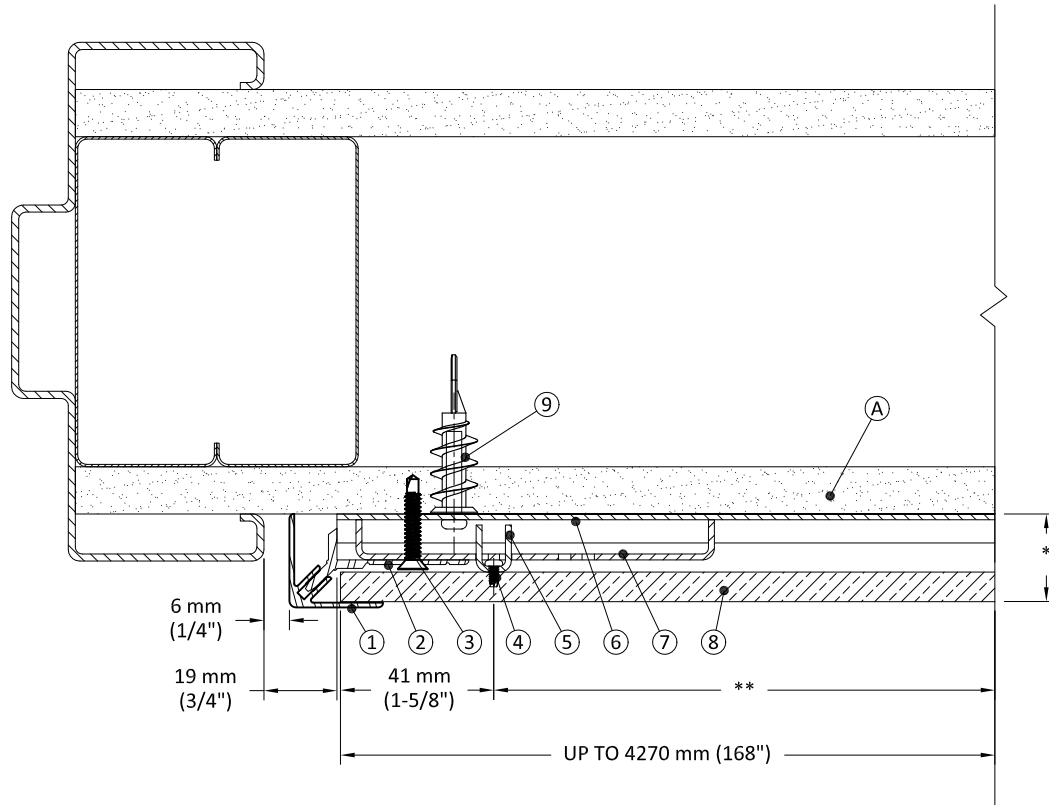


www.quickshippanels.com
1-855-444-0588

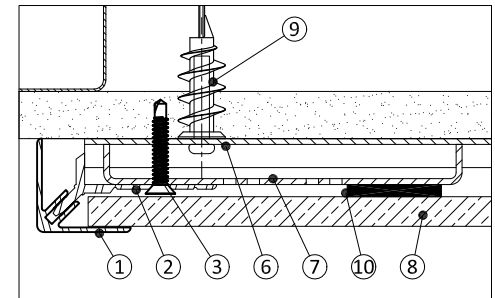
TITLE: DETAIL LOCATOR		DESIGN BY: CM	DATE: 2021-07-16
DESCRIPTION: SPECTRUM WALL LINING RAIL SYSTEM - NON PERMANENT / PERMANENT	SCALE: NONE	DETAIL: A	APPROVED BY: CM
			REV: DATE:



No.	Description (supplied by ATS)
1	3050 mm (120") Long Aluminum Outside Corner Trim Cap (SWL-109)
2	3050 mm (120") Long Aluminum Outside Corner Trim Base (SWL-108)
3	#6 x 19 mm (3/4") Flat Head Self-Drilling SS Screw (AAA-04)
4	#6-20 x 8 mm (5/16") Type 25 HPL Screw (AAA-20)
5	16 ga. Metal Panel Clip - Painted Black (SWL-103)
6	Top Rail - 3050 mm (120") Long 16 ga. Metal Painted Black (SWL-100)
7	Standard - 3050 mm (120") Long 16 ga. Metal Painted Black (SWL-101)
8	Trespa TopLab Vertical Panel - 8 or 10 mm (5/16" or 3/8") thick
9	Standard Drywall Anchor with Screw (SWL-102)
10	25 mm (1") Wide VHB Tape (SWL-106)

No.	Description (supplied by others)
A	Drywall

No.	Description
*	24 mm (15/16") with 8 mm (5/16") Thick Panel 26 mm (1-1/32") with 10 mm (3/8") Thick Panel
**	Distance Between Anchor Points: Up to 685 mm (27") with 8 mm (5/16") Thick Panel Up to 840 mm (33") with 10 mm (3/8") Thick Panel

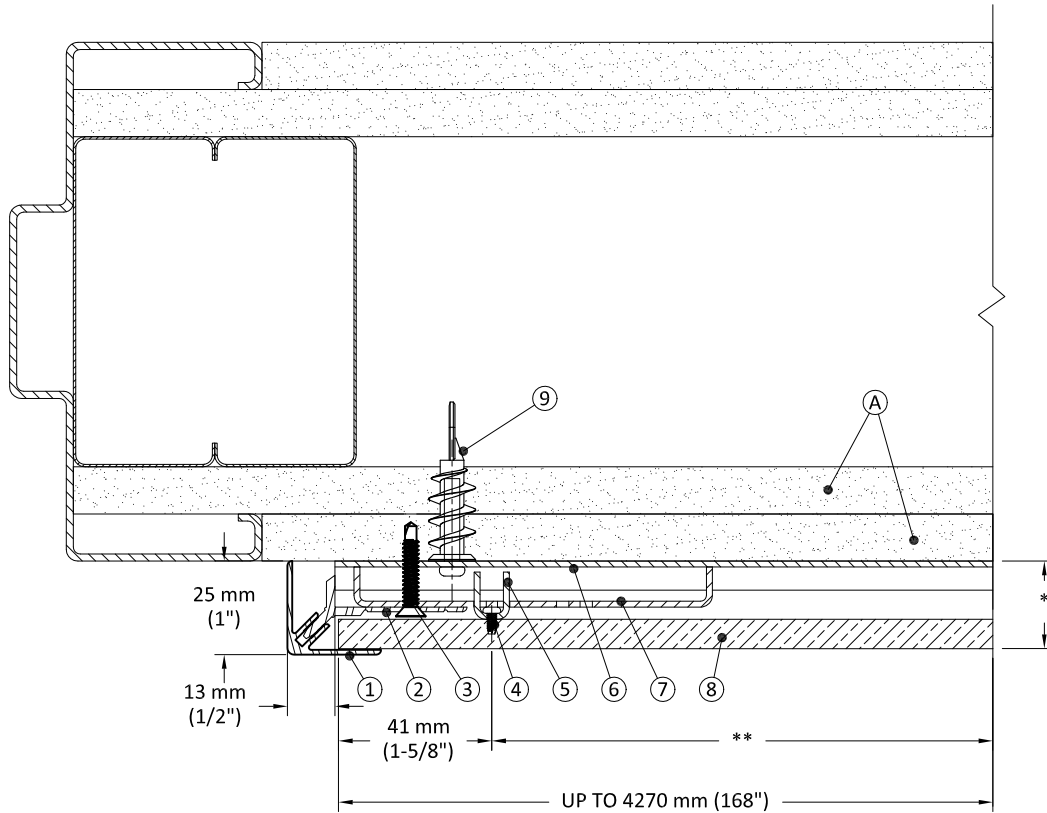


PERMANENT INSTALLATION



www.quickshippanels.com
1-855-444-0588

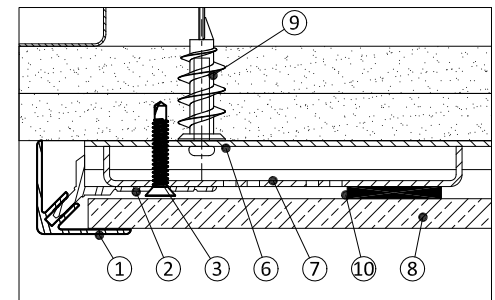
TITLE: DOOR JAMB		DESIGN BY: CM	DATE: 2021-07-16
DESCRIPTION: SPECTRUM WALL LINING RAIL SYSTEM - NON PERMANENT / PERMANENT	SCALE: NONE	DETAIL: 1	APPROVED BY: CM
			REV: DATE:



No.	Description (supplied by ATS)
1	3050 mm (120") Long Aluminum Outside Corner Trim Cap (SWL-109)
2	3050 mm (120") Long Aluminum Outside Corner Trim Base (SWL-108)
3	#6 x 19 mm (3/4") Flat Head Self-Drilling SS Screw (AAA-04)
4	#6-20 x 8 mm (5/16") Type 25 HPL Screw (AAA-20)
5	16 ga. Metal Panel Clip - Painted Black (SWL-103)
6	Top Rail - 3050 mm (120") Long 16 ga. Metal Painted Black (SWL-100)
7	Standard - 3050 mm (120") Long 16 ga. Metal Painted Black (SWL-101)
8	Trespa TopLab Vertical Panel - 8 or 10 mm (5/16" or 3/8") thick
9	Standard Drywall Anchor with Screw (SWL-102)
10	25 mm (1") Wide VHB Tape (SWL-106)

No.	Description (supplied by others)
A	Drywall

No.	Description
*	24 mm (15/16") with 8 mm (5/16") Thick Panel 26 mm (1-1/32") with 10 mm (3/8") Thick Panel
**	Distance Between Anchor Points: Up to 685 mm (27") with 8 mm (5/16") Thick Panel Up to 840 mm (33") with 10 mm (3/8") Thick Panel

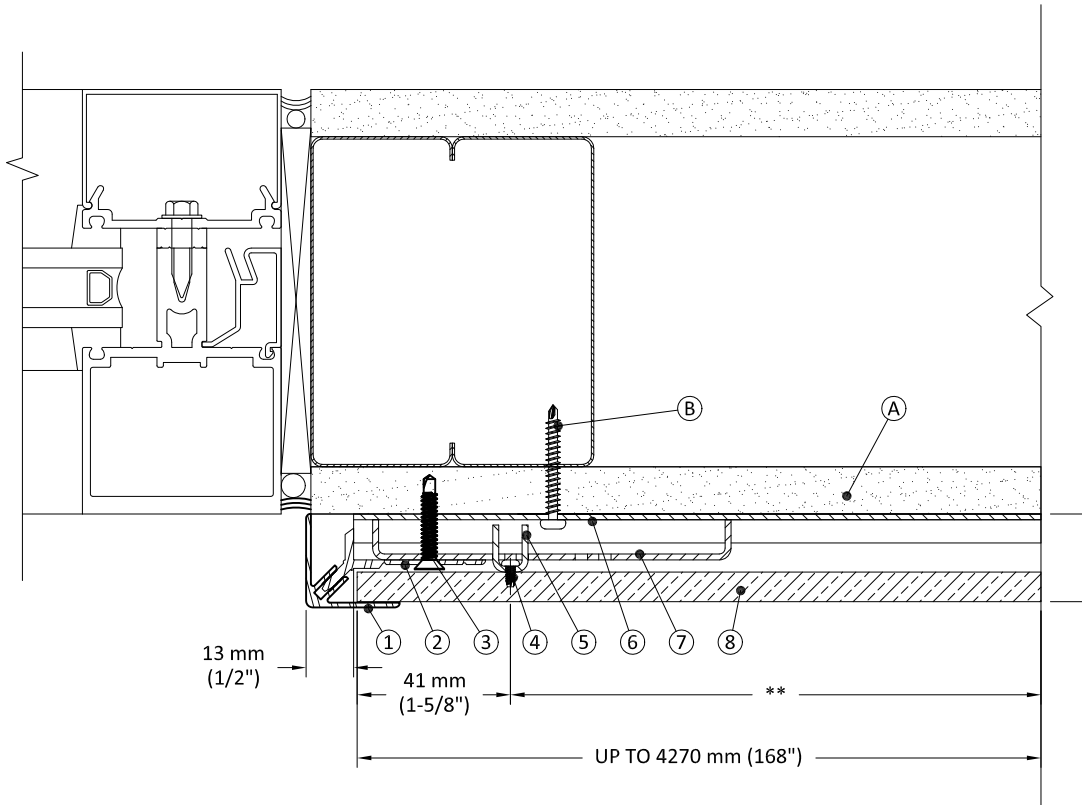


PERMANENT INSTALLATION



www.quickshippanels.com
1-855-444-0588

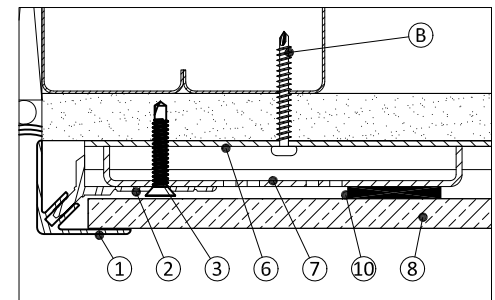
TITLE: DOOR JAMB WITH FINISH PROFILE		DESIGN BY: CM	DATE: 2021-07-16
DESCRIPTION: SPECTRUM WALL LINING RAIL SYSTEM - NON PERMANENT / PERMANENT		SCALE: NONE	DETAIL: 1A
		APPROVED BY: CM	REV: DATE:



No.	Description (supplied by ATS)
1	3050 mm (120") Long Aluminum Outside Corner Trim Cap (SWL-109)
2	3050 mm (120") Long Aluminum Outside Corner Trim Base (SWL-108)
3	#6 x 19 mm (3/4") Flat Head Self-Drilling SS Screw (AAA-04)
4	#6-20 x 8 mm (5/16") Type 25 HPL Screw (AAA-20)
5	16 ga. Metal Panel Clip - Painted Black (SWL-103)
6	Top Rail - 3050 mm (120") Long 16 ga. Metal Painted Black (SWL-100)
7	Standard - 3050 mm (120") Long 16 ga. Metal Painted Black (SWL-101)
8	Trespa TopLab Vertical Panel - 8 or 10 mm (5/16" or 3/8") thick
9	25 mm (1") Wide VHB Tape (SWL-106)

No.	Description (supplied by others)
A	Drywall
B	#8 x 32 mm (1-1/4") Self-Drilling Metal Screw

No.	Description
*	24 mm (15/16") with 8 mm (5/16") Thick Panel 26 mm (1-1/32") with 10 mm (3/8") Thick Panel
**	Distance Between Anchor Points: Up to 685 mm (27") with 8 mm (5/16") Thick Panel Up to 840 mm (33") with 10 mm (3/8") Thick Panel

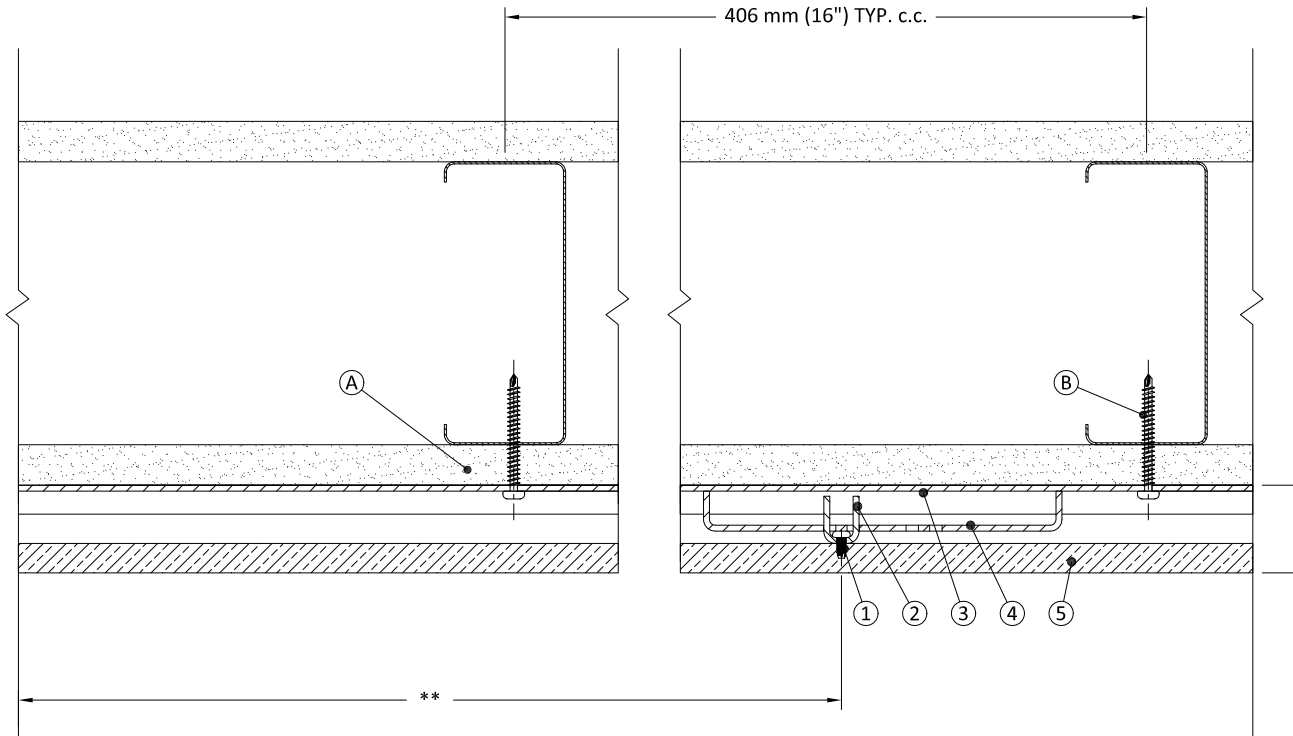


PERMANENT INSTALLATION



www.quickshippanels.com
1-855-444-0588

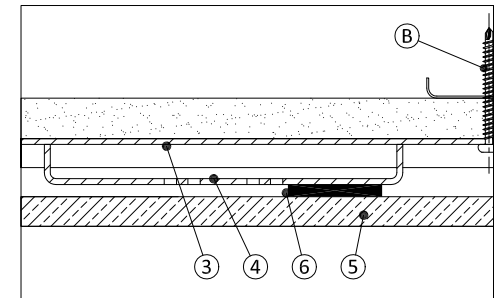
TITLE: WINDOW JAMB WITH FINISH PROFILE		DESIGN BY: CM	DATE: 2021-07-16
DESCRIPTION: SPECTRUM WALL LINING RAIL SYSTEM - NON PERMANENT / PERMANENT		SCALE: NONE	DETAIL: 2
		APPROVED BY: CM	REV: DATE:



No.	Description (supplied by ATS)
1	#6-20 x 8 mm (5/16") Type 25 HPL Screw (AAA-20)
2	16 ga. Metal Panel Clip - Painted Black (SWL-103)
3	Top Rail - 3050 mm (120") Long 16 ga. Metal Painted Black (SWL-100)
4	Standard - 3050 mm (120") Long 16 ga. Metal Painted Black (SWL-101)
5	Trespa TopLab Vertical Panel - 8 or 10 mm (5/16" or 3/8") thick
6	25 mm (1") Wide VHB Tape (SWL-106)

No.	Description (supplied by others)
A	Drywall
B	#8 x 32 mm (1-1/4") Self-Drilling Metal Screw

No.	Description
*	24 mm (15/16") with 8 mm (5/16") Thick Panel 26 mm (1-1/32") with 10 mm (3/8") Thick Panel
**	Distance Between Anchor Points: Up to 685 mm (27") with 8 mm (5/16") Thick Panel Up to 840 mm (33") with 10 mm (3/8") Thick Panel

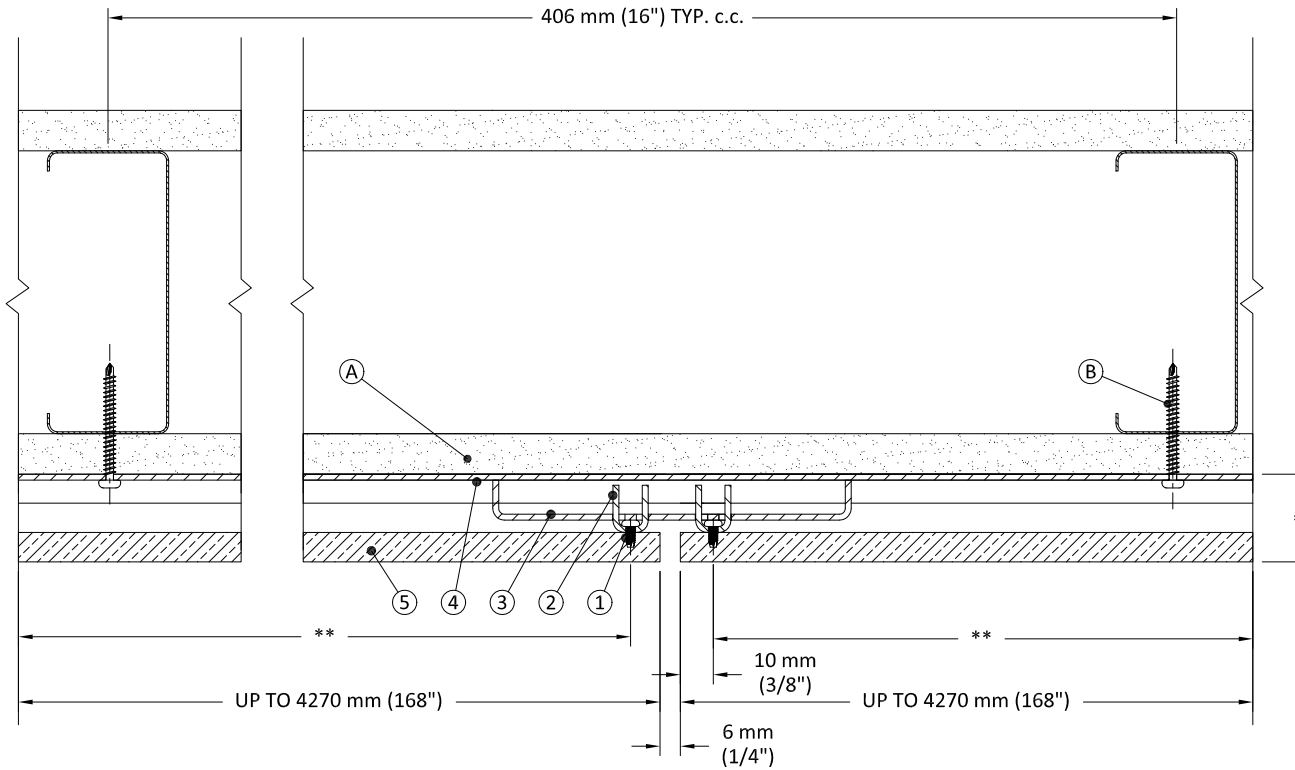


PERMANENT INSTALLATION



www.quickshippanels.com
1-855-444-0588

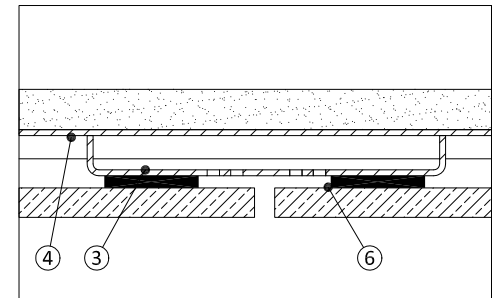
TITLE: VERTICAL MID PANEL		DESIGN BY: CM	DATE: 2021-07-16
DESCRIPTION: SPECTRUM WALL LINING RAIL SYSTEM - NON PERMANENT / PERMANENT	SCALE: NONE	DETAIL: 3	APPROVED BY: CM
			REV: DATE:



No.	Description (supplied by ATS)
1	#6-20 x 8 mm (5/16") Type 25 HPL Screw (AAA-20)
2	16 ga. Metal Panel Clip - Painted Black (SWL-103)
3	Top Rail - 3050 mm (120") Long 16 ga. Metal Painted Black (SWL-100)
4	Standard - 3050 mm (120") Long 16 ga. Metal Painted Black (SWL-101)
5	Trespa TopLab Vertical Panel - 8 or 10 mm (5/16" or 3/8") thick
6	25 mm (1") Wide VHB Tape (SWL-106)

No.	Description (supplied by others)
A	Drywall
B	#8 x 32 mm (1-1/4") Self-Drilling Metal Screw

No.	Description
*	24 mm (15/16") with 8 mm (5/16") Thick Panel 26 mm (1-1/32") with 10 mm (3/8") Thick Panel
**	Distance Between Anchor Points: Up to 685 mm (27") with 8 mm (5/16") Thick Panel Up to 840 mm (33") with 10 mm (3/8") Thick Panel

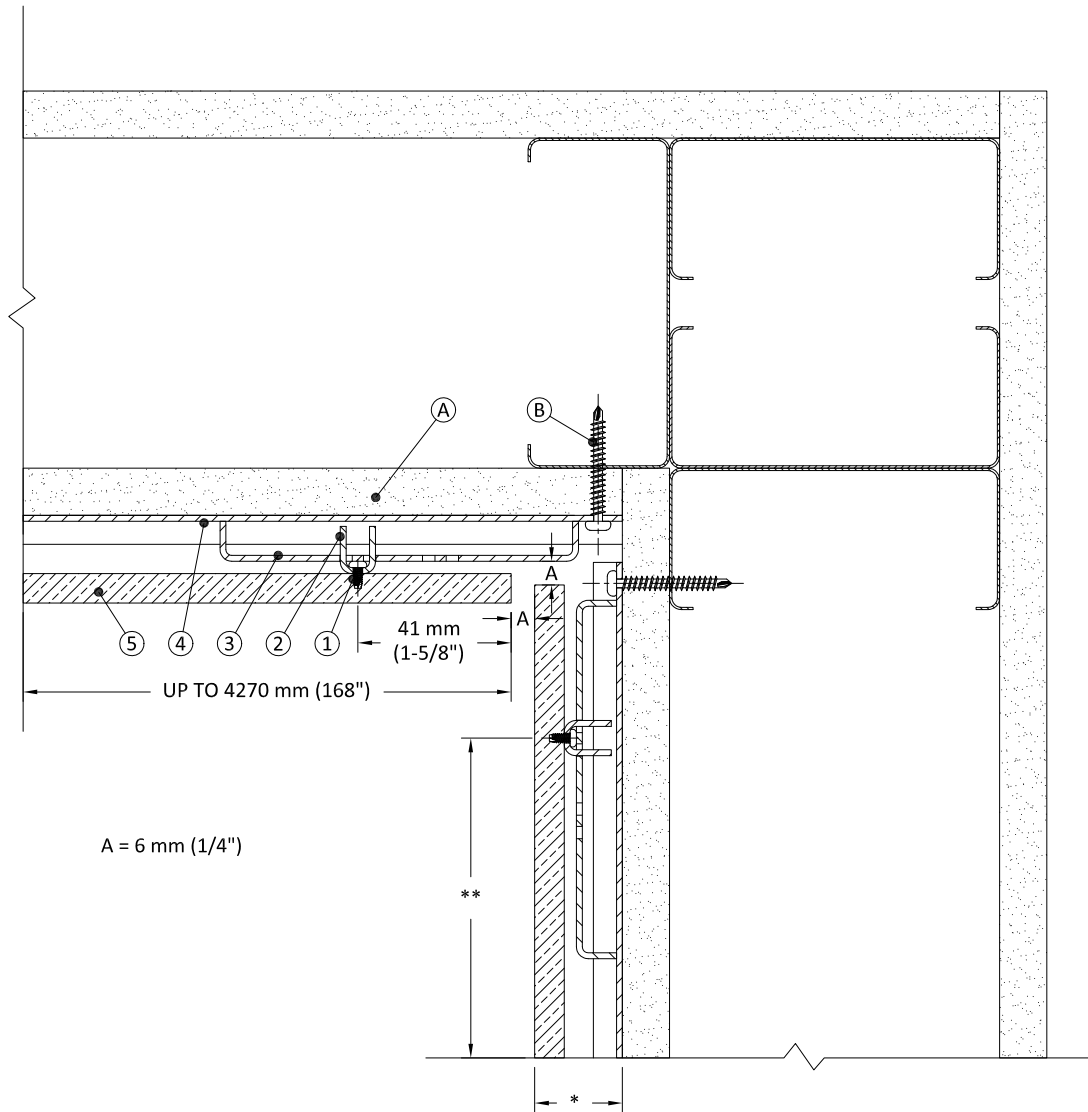


PERMANENT INSTALLATION



www.quickshippanels.com
1-855-444-0588

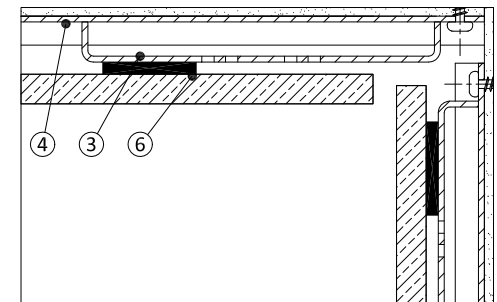
TITLE: VERTICAL PANEL JOINT		DESIGN BY: CM	DATE: 2021-07-16
DESCRIPTION: SPECTRUM WALL LINING RAIL SYSTEM - NON PERMANENT / PERMANENT		SCALE: NONE	DETAIL: 4
		APPROVED BY: CM	REV: DATE:



No.	Description (supplied by ATS)
1	#6-20 x 8 mm (5/16") Type 25 HPL Screw (AAA-20)
2	16 ga. Metal Panel Clip - Painted Black (SWL-103)
3	Top Rail - 3050 mm (120") Long 16 ga. Metal Painted Black (SWL-100)
4	Standard - 3050 mm (120") Long 16 ga. Metal Painted Black (SWL-101)
5	Trespa TopLab Vertical Panel - 8 or 10 mm (5/16" or 3/8") thick
6	25 mm (1") Wide VHB Tape (SWL-106)

No.	Description (supplied by others)
A	Drywall
B	#8 x 32 mm (1-1/4") Self-Drilling Metal Screw

No.	Description
*	24 mm (15/16") with 8 mm (5/16") Thick Panel 26 mm (1-1/32") with 10 mm (3/8") Thick Panel
**	Distance Between Anchor Points: Up to 685 mm (27") with 8 mm (5/16") Thick Panel Up to 840 mm (33") with 10 mm (3/8") Thick Panel

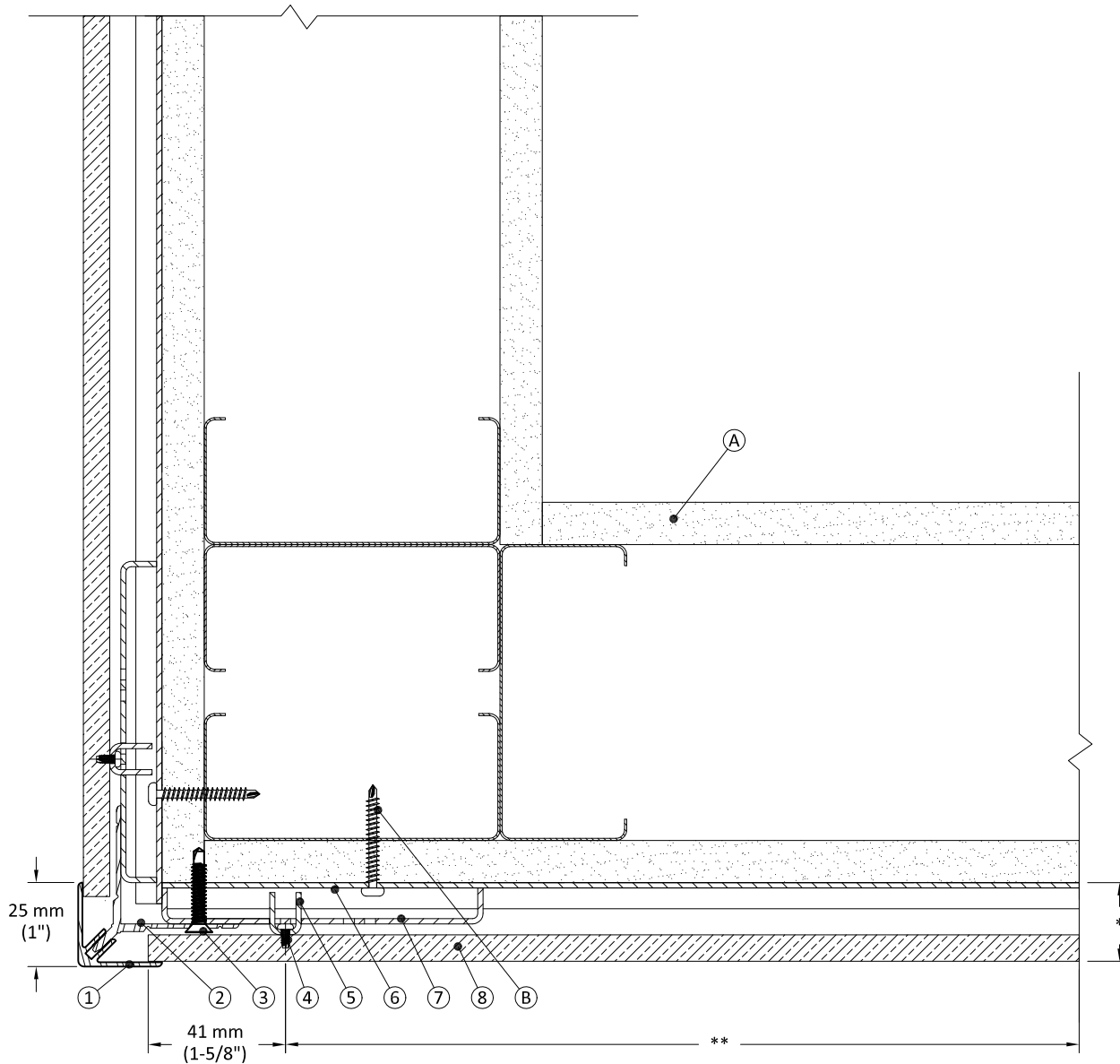


PERMANENT INSTALLATION



www.quickshippanels.com
1-855-444-0588

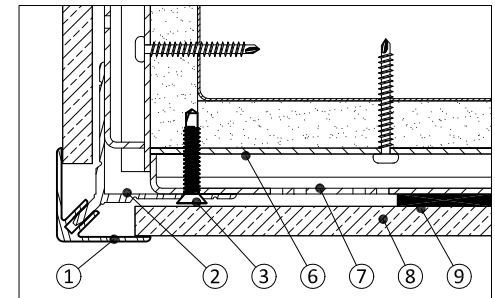
TITLE: INSIDE CORNER		DESIGN BY: CM	DATE: 2021-07-16
DESCRIPTION: SPECTRUM WALL LINING RAIL SYSTEM - NON PERMANENT / PERMANENT		SCALE: NONE	DETAIL: 5
		APPROVED BY: CM	REV: DATE:



No.	Description (supplied by ATS)
1	3050 mm (120") Long Aluminum Outside Corner Trim Cap (SWL-109)
2	3050 mm (120") Long Aluminum Outside Corner Trim Base (SWL-108)
3	#6 x 19 mm (3/4") Flat Head Self-Drilling SS Screw (AAA-04)
4	#6-20 x 8 mm (5/16") Type 25 HPL Screw (AAA-20)
5	16 ga. Metal Panel Clip - Painted Black (SWL-103)
6	Top Rail - 3050 mm (120") Long 16 ga. Metal Painted Black (SWL-100)
7	Standard - 3050 mm (120") Long 16 ga. Metal Painted Black (SWL-101)
8	Trespa TopLab Vertical Panel - 8 or 10 mm (5/16" or 3/8") thick
9	25 mm (1") Wide VHB Tape (SWL-106)

No.	Description (supplied by others)
A	Drywall
B	#8 x 32 mm (1-1/4") Self-Drilling Metal Screw

No.	Description
*	24 mm (15/16") with 8 mm (5/16") Thick Panel 26 mm (1-1/32") with 10 mm (3/8") Thick Panel
**	Distance Between Anchor Points: Up to 685 mm (27") with 8 mm (5/16") Thick Panel Up to 840 mm (33") with 10 mm (3/8") Thick Panel

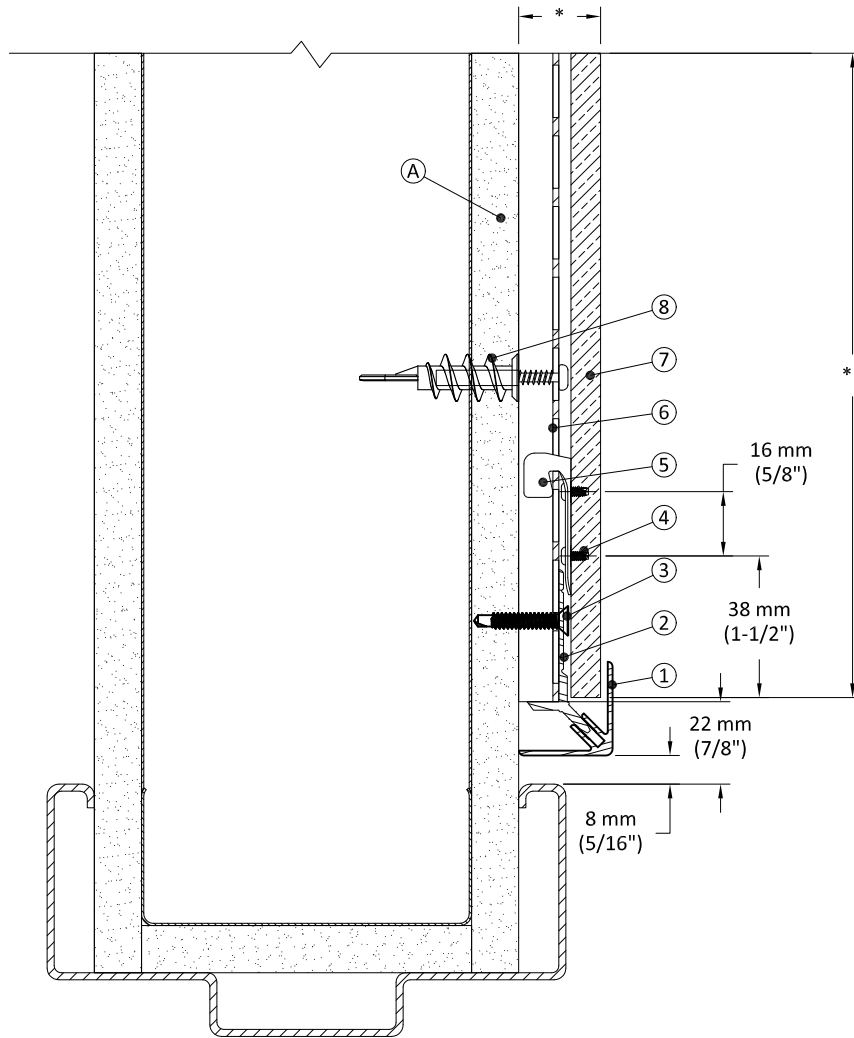


PERMANENT INSTALLATION



www.quickshippanels.com
1-855-444-0588

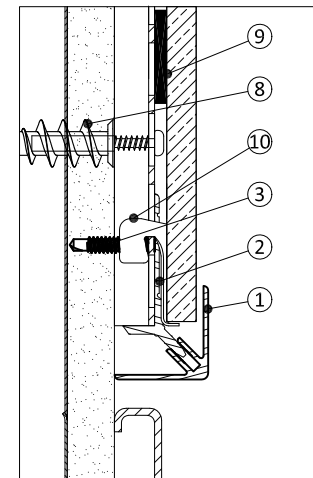
TITLE: OUTSIDE CORNER WITH CORNER PROFILE		DESIGN BY: CM	DATE: 2021-07-16
DESCRIPTION: SPECTRUM WALL LINING RAIL SYSTEM - NON PERMANENT / PERMANENT		SCALE: NONE	DETAIL: 6
		APPROVED BY: CM	REV: DATE:



No.	Description (supplied by ATS)
1	3050 mm (120") Long Aluminum Outside Corner Trim Cap (SWL-109)
2	3050 mm (120") Long Aluminum Outside Corner Trim Base (SWL-108)
3	#6 x 19 mm (3/4") Flat Head Self-Drilling SS Screw (AAA-04)
4	#6-20 x 8 mm (5/16") Type 25 HPL Screw (AAA-20)
5	16 ga. Metal Panel Clip - Painted Black (SWL-103)
6	Standard - 3050 mm (120") Long 16 ga. Metal Painted Black (SWL-101)
7	Trespa TopLab Vertical Panel - 8 or 10 mm (5/16" or 3/8") thick
8	Standard Drywall Anchor with Screw (SWL-102)
9	25 mm (1") Wide VHB Tape (SWL-106)
10	16 ga. Metal Starter Clip - Painted Black (SWL-105)

No.	Description (supplied by others)
A	Drywall
B	#8 x 32 mm (1-1/4") Self-Drilling Metal Screw

No.	Description
*	24 mm (15/16") with 8 mm (5/16") Thick Panel 26 mm (1-1/32") with 10 mm (3/8") Thick Panel
**	Distance Between Anchor Points: Up to 685 mm (27") with 8 mm (5/16") Thick Panel Up to 840 mm (33") with 10 mm (3/8") Thick Panel

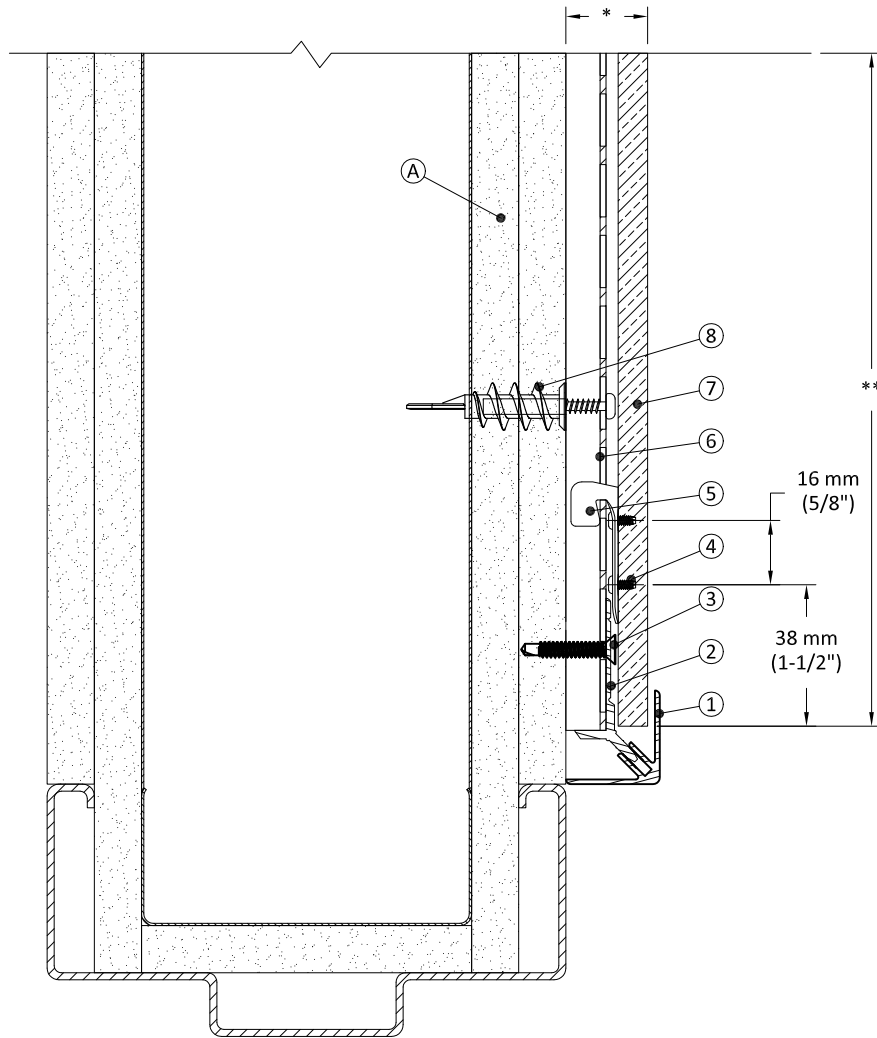


PERMANENT INSTALLATION



www.quickshippanels.com
1-855-444-0588

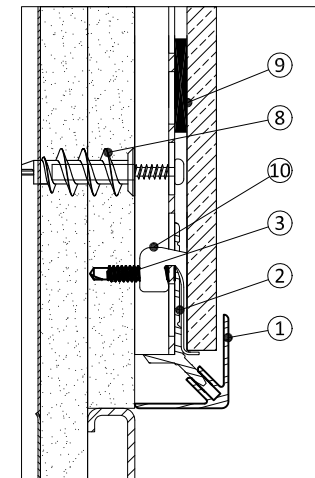
TITLE: DOOR HEAD		DESIGN BY: CM	DATE: 2021-07-16
DESCRIPTION: SPECTRUM WALL LINING RAIL SYSTEM - NON PERMANENT / PERMANENT	SCALE: NONE	DETAIL: 7	APPROVED BY: CM
			REV: DATE:



No.	Description (supplied by ATS)
1	3050 mm (120") Long Aluminum Outside Corner Trim Cap (SWL-109)
2	3050 mm (120") Long Aluminum Outside Corner Trim Base (SWL-108)
3	#6 x 19 mm (3/4") Flat Head Self-Drilling SS Screw (AAA-04)
4	#6-20 x 8 mm (5/16") Type 25 HPL Screw (AAA-20)
5	16 ga. Metal Panel Clip - Painted Black (SWL-103)
6	Standard - 3050 mm (120") Long 16 ga. Metal Painted Black (SWL-101)
7	Trespa TopLab Vertical Panel - 8 or 10 mm (5/16" or 3/8") thick
8	Standard Drywall Anchor with Screw (SWL-102)
9	25 mm (1") Wide VHB Tape (SWL-106)
10	16 ga. Metal Starter Clip - Painted Black (SWL-105)

No.	Description (supplied by others)
A	Drywall
B	#8 x 32 mm (1-1/4") Self-Drilling Metal Screw

No.	Description
*	24 mm (15/16") with 8 mm (5/16") Thick Panel 26 mm (1-1/32") with 10 mm (3/8") Thick Panel
**	Distance Between Anchor Points: Up to 685 mm (27") with 8 mm (5/16") Thick Panel Up to 840 mm (33") with 10 mm (3/8") Thick Panel

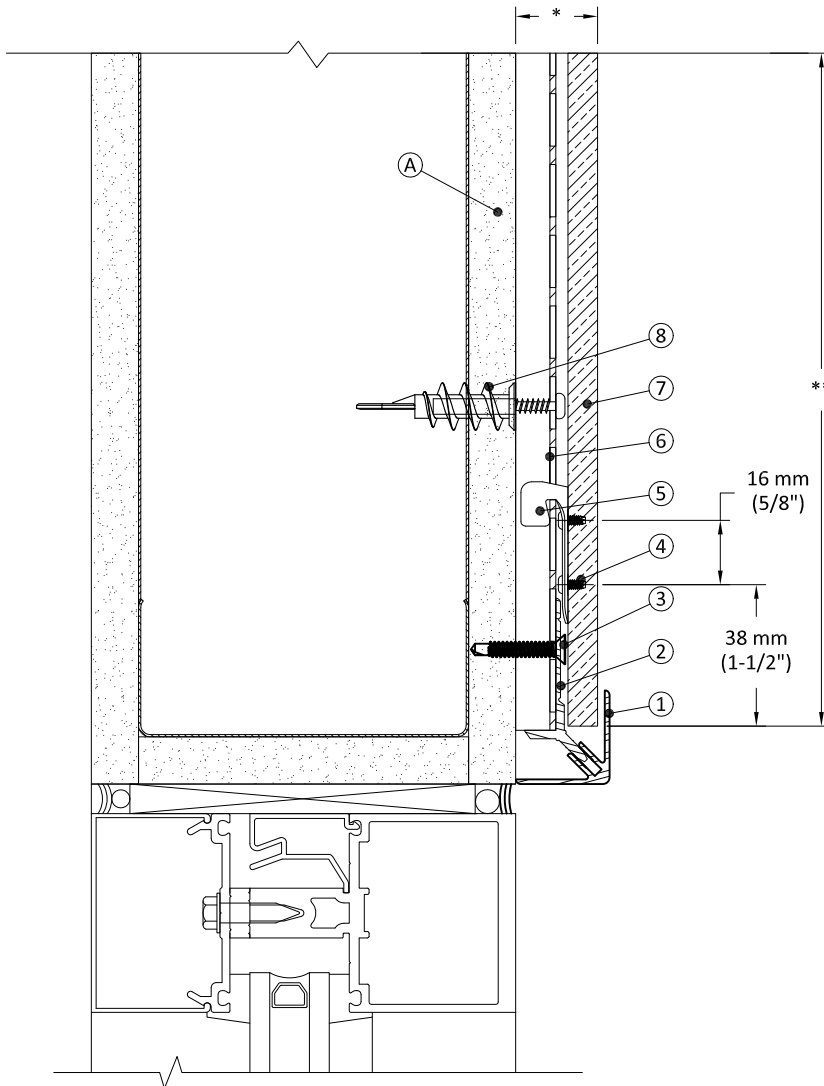


PERMANENT INSTALLATION



www.quickshippanels.com
1-855-444-0588

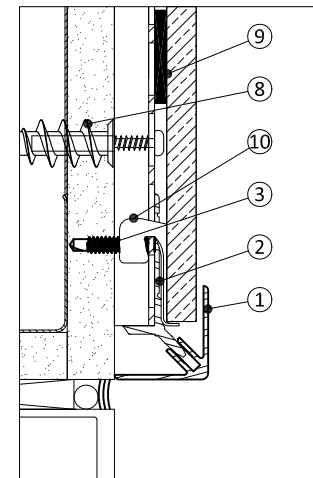
TITLE: DOOR HEAD WITH FINISH PROFILE		DESIGN BY: CM	DATE: 2021-07-16
DESCRIPTION: SPECTRUM WALL LINING RAIL SYSTEM - NON PERMANENT / PERMANENT	SCALE: NONE	DETAIL: 7A	APPROVED BY: CM
			REV: DATE:



No.	Description (supplied by ATS)
1	3050 mm (120") Long Aluminum Outside Corner Trim Cap (SWL-109)
2	3050 mm (120") Long Aluminum Outside Corner Trim Base (SWL-108)
3	#6 x 19 mm (3/4") Flat Head Self-Drilling SS Screw (AAA-04)
4	#6-20 x 8 mm (5/16") Type 25 HPL Screw (AAA-20)
5	16 ga. Metal Panel Clip - Painted Black (SWL-103)
6	Standard - 3050 mm (120") Long 16 ga. Metal Painted Black (SWL-101)
7	Trespa TopLab Vertical Panel - 8 or 10 mm (5/16" or 3/8") thick
8	Standard Drywall Anchor with Screw (SWL-102)
9	25 mm (1") Wide VHB Tape (SWL-106)
10	16 ga. Metal Starter Clip - Painted Black (SWL-105)

No.	Description (supplied by others)
A	Drywall
B	#8 x 32 mm (1-1/4") Self-Drilling Metal Screw

No.	Description
*	24 mm (15/16") with 8 mm (5/16") Thick Panel 26 mm (1-1/32") with 10 mm (3/8") Thick Panel
**	Distance Between Anchor Points: Up to 685 mm (27") with 8 mm (5/16") Thick Panel Up to 840 mm (33") with 10 mm (3/8") Thick Panel

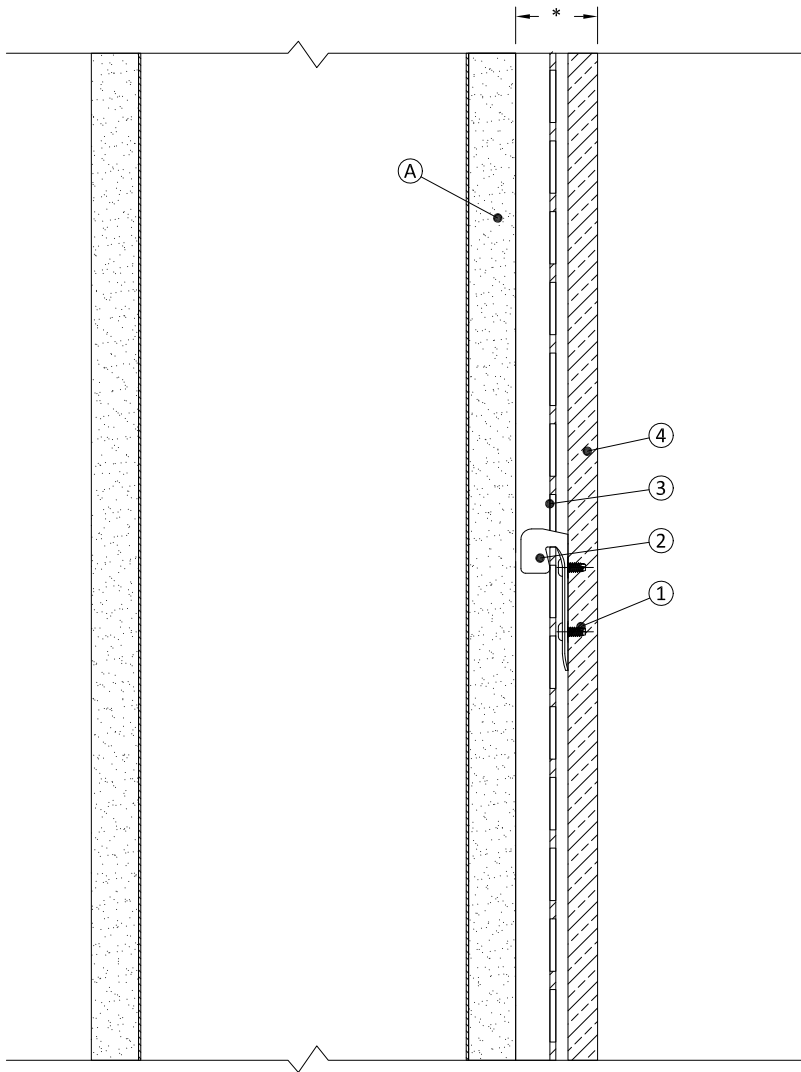


PERMANENT INSTALLATION



www.quickshippanels.com
1-855-444-0588

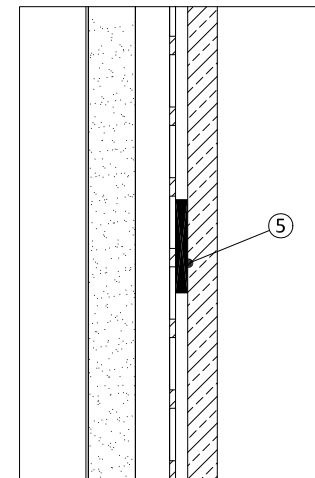
TITLE: WINDOW HEAD		DESIGN BY: CM	DATE: 2021-07-16
DESCRIPTION: SPECTRUM WALL LINING RAIL SYSTEM - NON PERMANENT / PERMANENT	SCALE: NONE	DETAIL: 8	APPROVED BY: CM
			REV: DATE:



No.	Description (supplied by ATS)
1	#6-20 x 8 mm (5/16") Type 25 HPL Screw (AAA-20)
2	16 ga. Metal Panel Clip - Painted Black (SWL-103)
3	Standard - 3050 mm (120") Long 16 ga. Metal Painted Black (SWL-101)
4	Trespa TopLab Vertical Panel - 8 or 10 mm (5/16" or 3/8") thick
5	25 mm (1") Wide VHB Tape (SWL-106)

No.	Description (supplied by others)
A	Drywall

No.	Description
*	24 mm (15/16") with 8 mm (5/16") Thick Panel 26 mm (1-1/32") with 10 mm (3/8") Thick Panel

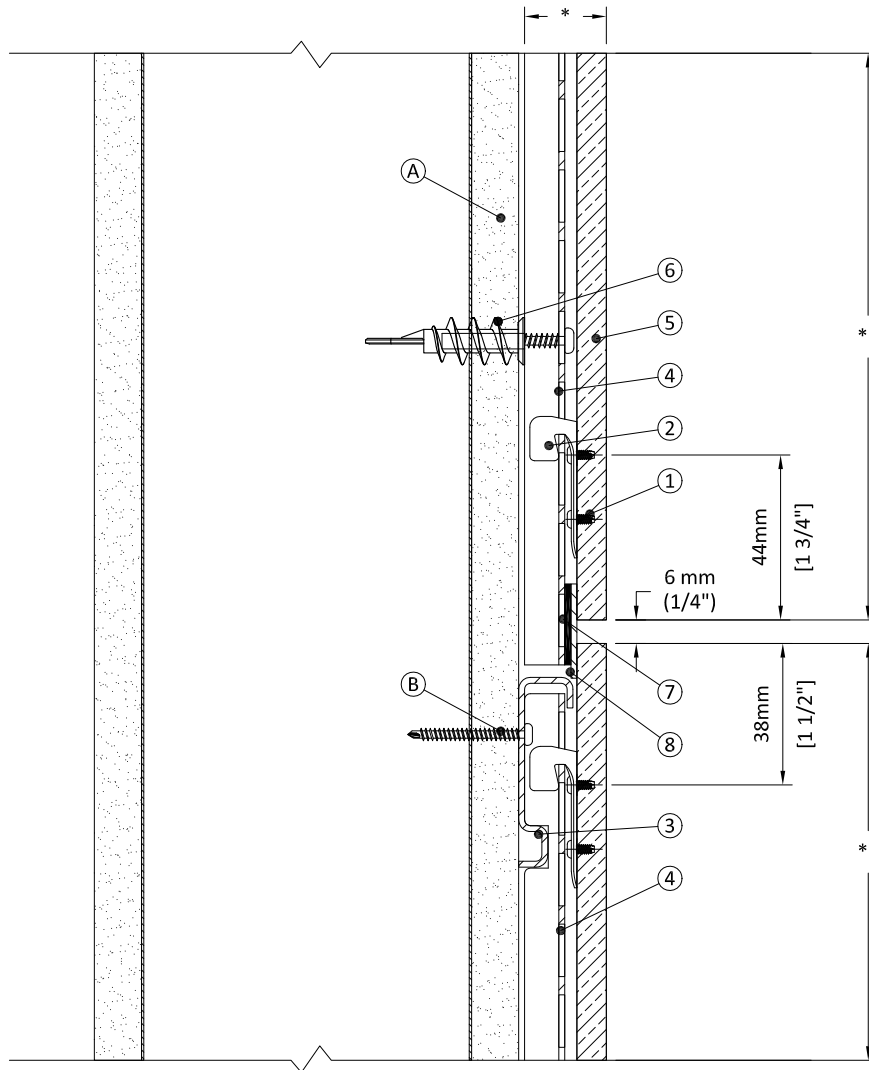


PERMANENT INSTALLATION



www.quickshippanels.com
1-855-444-0588

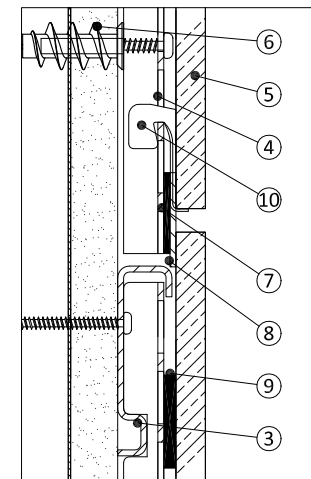
TITLE:		HORIZONTAL MID PANEL		DESIGN BY:	DATE:
				CM	2021-07-16
DESCRIPTION:		SCALE:	DETAIL:	APPROVED BY:	REV:
SPECTRUM WALL LINING RAIL SYSTEM - NON PERMANENT / PERMANENT		NONE	9	CM	
					DATE:



No.	Description (supplied by ATS)
1	#6-20 x 8 mm (5/16") Type 25 HPL Screw (AAA-20)
2	16 ga. Metal Panel Clip - Painted Black (SWL-103)
3	Top Rail - 3050 mm (120") Long 16 ga. Metal Painted Black (SWL-100)
4	Standard - 3050 mm (120") Long 16 ga. Metal Painted Black (SWL-101)
5	Trespa TopLab Vertical Panel - 8 or 10 mm (5/16" or 3/8") thick
6	Standard Drywall Anchor with Screw (SWL-102)
7	6 mm x 1.6 mm (1/4" x 1/16") Thick Double Sided Tape - Black (SWLZ-05)
8	2438 mm (96") Long Aluminum Reveal Profile (SWLZ-04)
9	25 mm (1") Wide VHB Tape (SWL-106)
10	16 ga. Metal Starter Clip - Painted Black (SWL-105)

No.	Description (supplied by others)
A	Drywall
B	#8 x 32 mm (1-1/4") Self-Drilling Metal Screw

No.	Description
*	24 mm (15/16") with 8 mm (5/16") Thick Panel 26 mm (1-1/32") with 10 mm (3/8") Thick Panel
**	Distance Between Anchor Points: Up to 685 mm (27") with 8 mm (5/16") Thick Panel Up to 840 mm (33") with 10 mm (3/8") Thick Panel

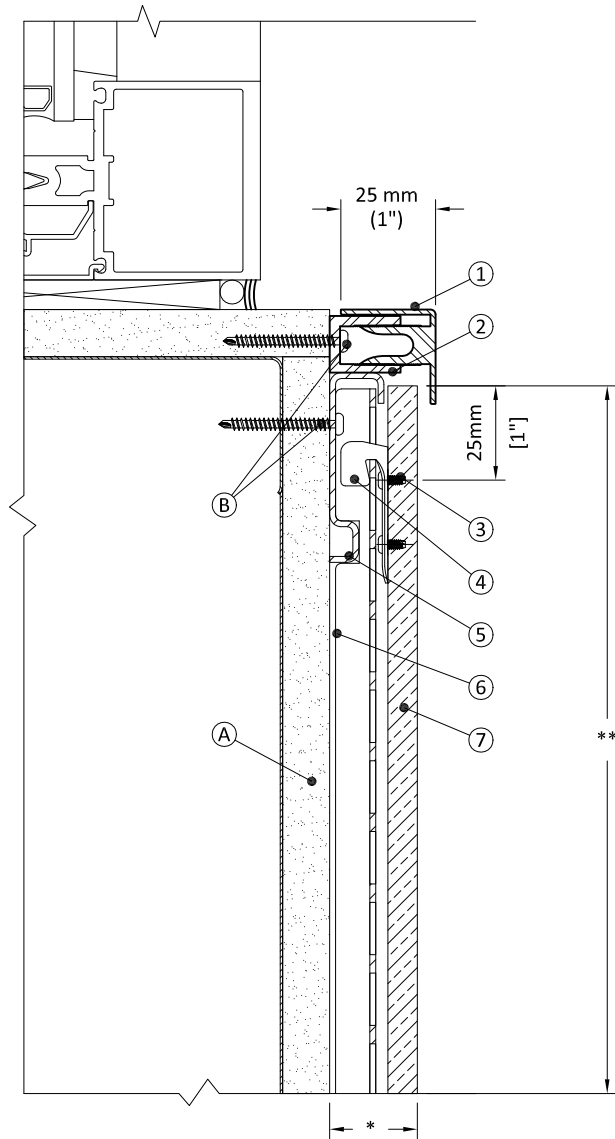


PERMANENT INSTALLATION



www.quickshippanels.com
1-855-444-0588

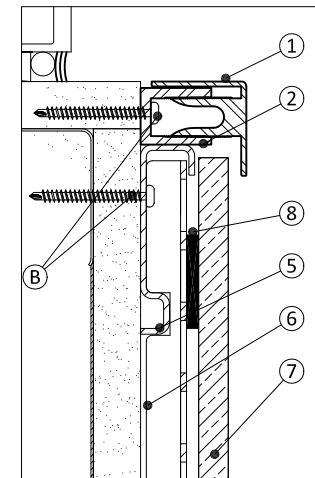
TITLE:		HORIZONTAL PANEL JOINT		DESIGN BY:	CM	DATE:	2021-07-16
DESCRIPTION:		SCALE:	NONE	DETAIL:	10	APPROVED BY:	CM
SPECTRUM WALL LINING RAIL SYSTEM - NON PERMANENT / PERMANENT						REV:	
						DATE:	



No.	Description (supplied by ATS)
1	3050 mm (120") Long Aluminum Top Rail Trim Cap (SWL-111)
2	3050 mm (120") Long Aluminum Top Rail Trim Base (SWL-110)
3	#6-20 x 8 mm (5/16") Type 25 HPL Screw (AAA-20)
4	16 ga. Metal Panel Clip - Painted Black (SWL-103)
5	Top Rail - 3050 mm (120") Long 16 ga. Metal Painted Black (SWL-100)
6	Standard - 3050 mm (120") Long 16 ga. Metal Painted Black (SWL-101)
7	Trespa TopLab Vertical Panel - 8 or 10 mm (5/16" or 3/8") thick
8	25 mm (1") Wide VHB Tape (SWL-106)

No.	Description (supplied by others)
A	Drywall
B	#8 x 32 mm (1-1/4") Self-Drilling Metal Screw

No.	Description
*	24 mm (15/16") with 8 mm (5/16") Thick Panel 26 mm (1-1/32") with 10 mm (3/8") Thick Panel
**	Distance Between Anchor Points: Up to 685 mm (27") with 8 mm (5/16") Thick Panel Up to 840 mm (33") with 10 mm (3/8") Thick Panel

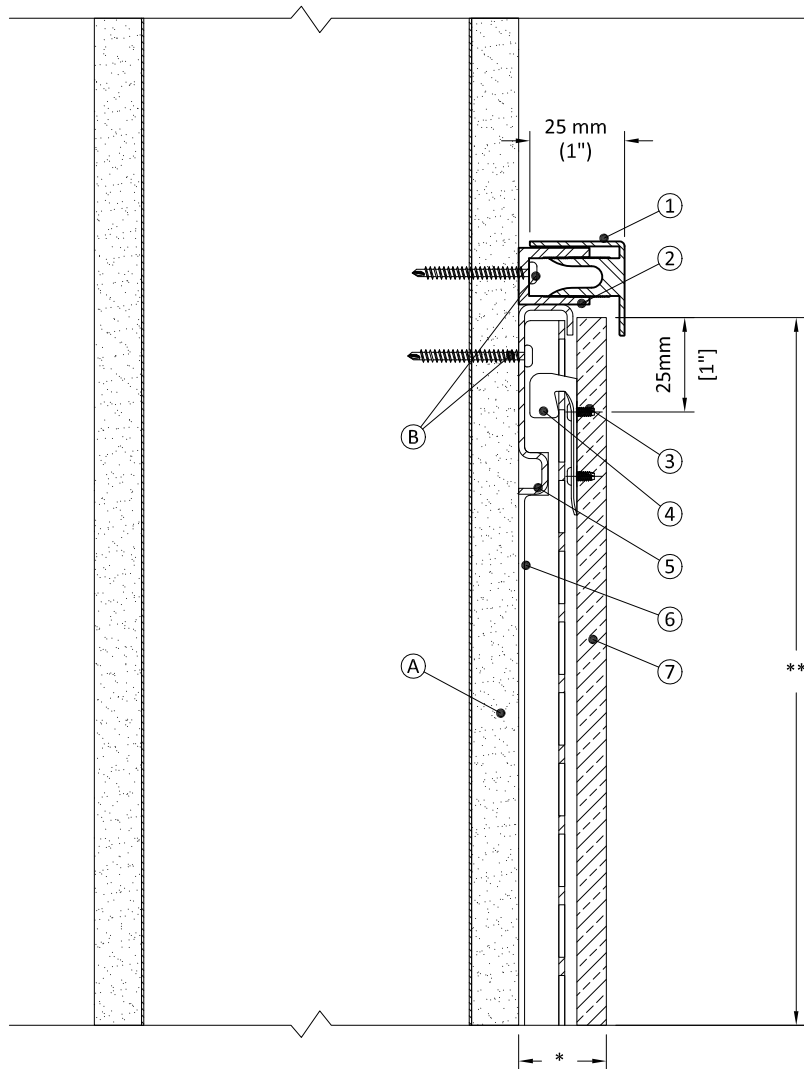


PERMANENT INSTALLATION



www.quickshippanels.com
1-855-444-0588

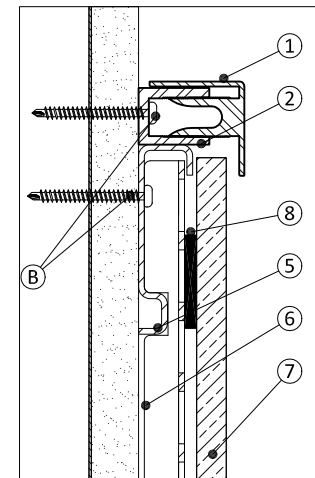
TITLE: WINDOW SILL		DESIGN BY: CM	DATE: 2021-07-16
DESCRIPTION: SPECTRUM WALL LINING RAIL SYSTEM - NON PERMANENT / PERMANENT	SCALE: NONE	DETAIL: 11	APPROVED BY: CM
			REV: DATE:



No.	Description (supplied by ATS)
1	3050 mm (120") Long Aluminum Top Rail Trim Cap (SWL-111)
2	3050 mm (120") Long Aluminum Top Rail Trim Base (SWL-110)
3	#6-20 x 8 mm (5/16") Type 25 HPL Screw (AAA-20)
4	16 ga. Metal Panel Clip - Painted Black (SWL-103)
5	Top Rail - 3050 mm (120") Long 16 ga. Metal Painted Black (SWL-100)
6	Standard - 3050 mm (120") Long 16 ga. Metal Painted Black (SWL-101)
7	Trespa TopLab Vertical Panel - 8 or 10 mm (5/16" or 3/8") thick
8	25 mm (1") Wide VHB Tape (SWL-106)

No.	Description (supplied by others)
A	Drywall
B	#8 x 32 mm (1-1/4") Self-Drilling Metal Screw

No.	Description
*	24 mm (15/16") with 8 mm (5/16") Thick Panel 26 mm (1-1/32") with 10 mm (3/8") Thick Panel
**	Distance Between Anchor Points: Up to 685 mm (27") with 8 mm (5/16") Thick Panel Up to 840 mm (33") with 10 mm (3/8") Thick Panel

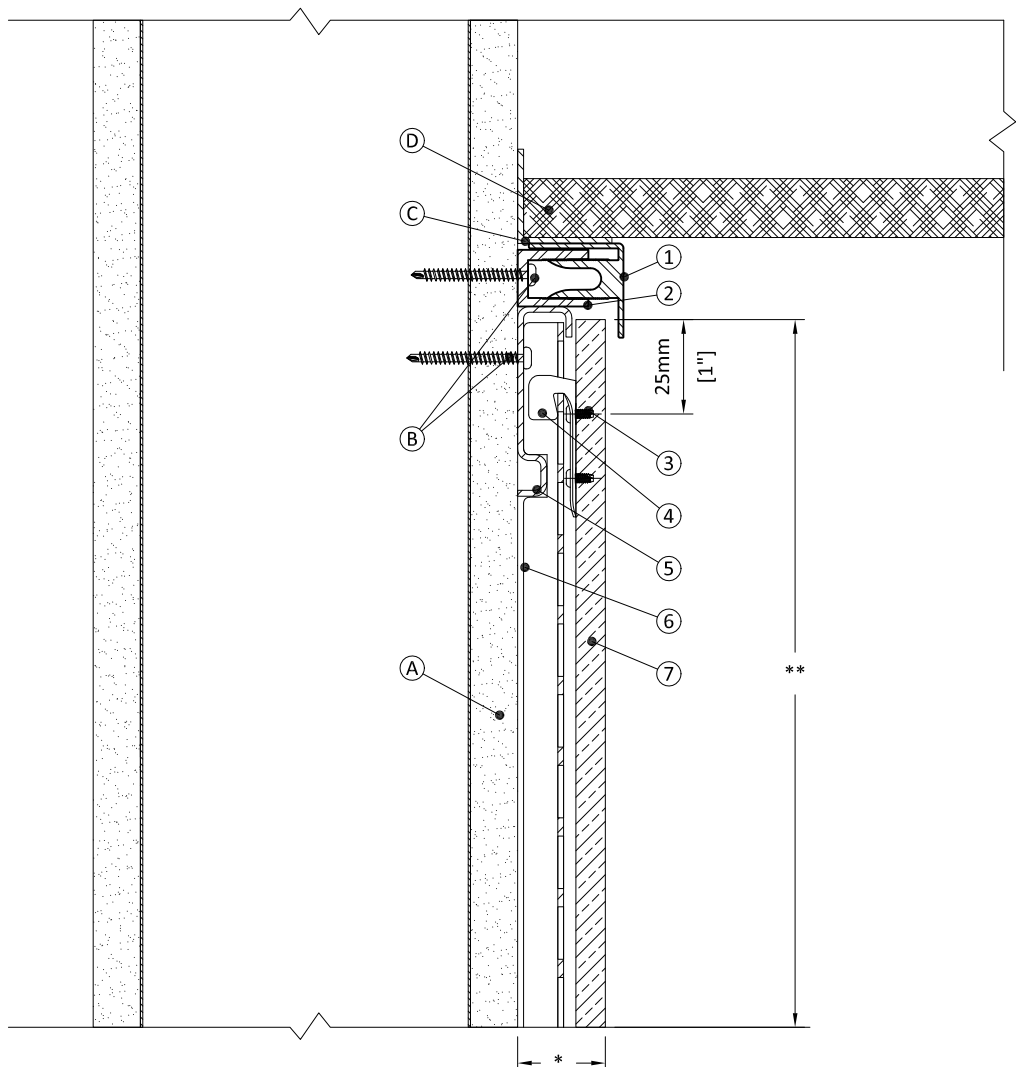


PERMANENT INSTALLATION



www.quickshippanels.com
1-855-444-0588

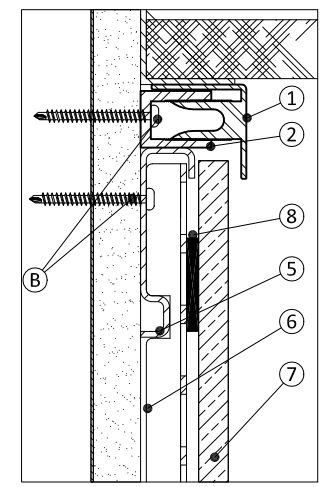
TITLE:		HALF WALL PANEL TRIM		DESIGN BY:	CM	DATE:	2021-07-16
DESCRIPTION:		SCALE:	NONE	DETAIL:	12	APPROVED BY:	CM
RAIL SYSTEM - NON PERMANENT / PERMANENT						REV:	
						DATE:	



No.	Description (supplied by ATS)
1	3050 mm (120") Long Aluminum Top Rail Trim Cap (SWL-111)
2	3050 mm (120") Long Aluminum Top Rail Trim Base (SWL-110)
3	#6-20 x 8 mm (5/16") Type 25 HPL Screw (AAA-20)
4	16 ga. Metal Panel Clip - Painted Black (SWL-103)
5	Top Rail - 3050 mm (120") Long 16 ga. Metal Painted Black (SWL-100)
6	Standard - 3050 mm (120") Long 16 ga. Metal Painted Black (SWL-101)
7	Trespa TopLab Vertical Panel - 8 or 10 mm (5/16" or 3/8") thick
8	25 mm (1") Wide VHB Tape (SWL-106)

No.	Description (supplied by others)
A	Drywall
B	#8 x 32 mm (1-1/4") Self-Drilling Metal Screw
C	Suspended Ceiling Frame
D	Suspended Ceiling Tile

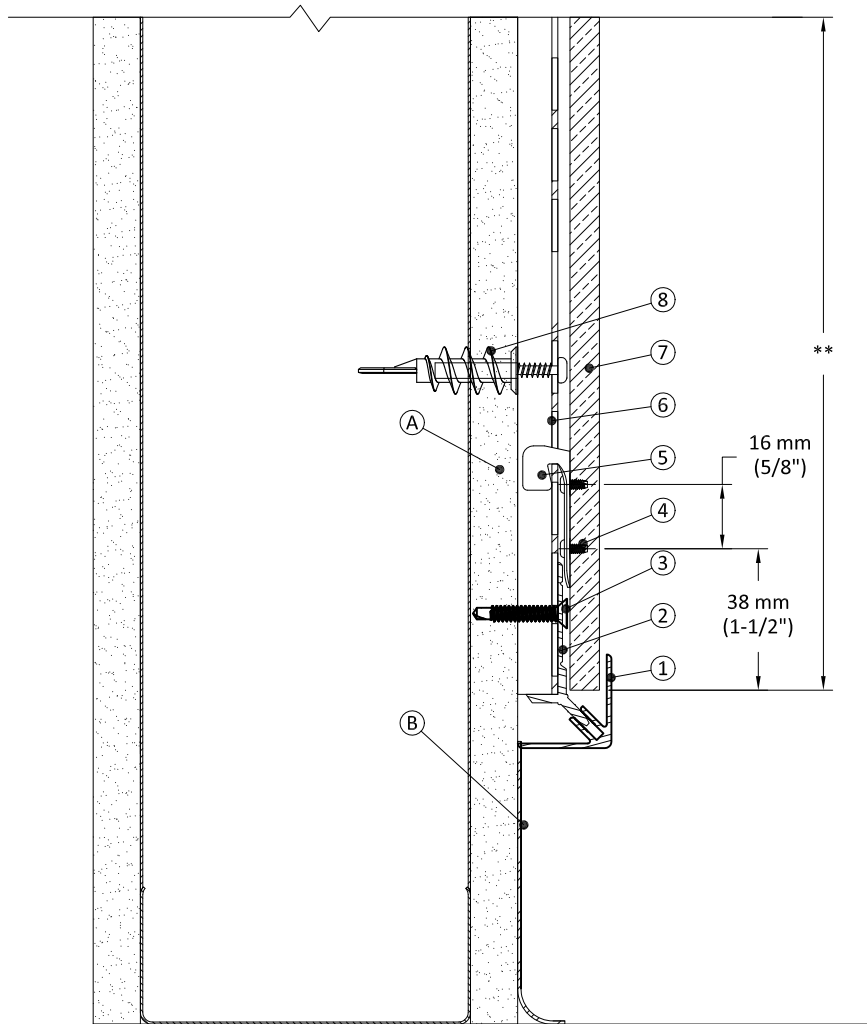
No.	Description
*	24 mm (15/16") with 8 mm (5/16") Thick Panel 26 mm (1-1/32") with 10 mm (3/8") Thick Panel
**	Distance Between Anchor Points: Up to 685 mm (27") with 8 mm (5/16") Thick Panel Up to 840 mm (33") with 10 mm (3/8") Thick Panel



PERMANENT INSTALLATION

ALLIED TECHNICAL SALES
www.quickshippanels.com
1-855-444-0588

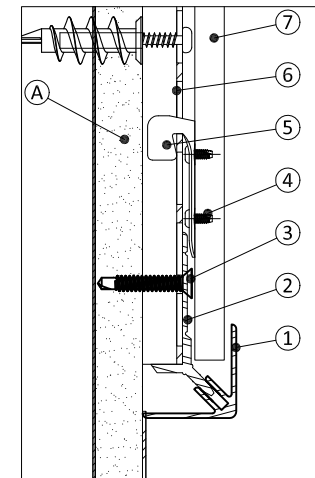
TITLE: WALL HEAD TRANSITION TO SUSPENDED CEILING		DESIGN BY: CM	DATE: 2021-07-16
DESCRIPTION: SPECTRUM WALL LINING RAIL SYSTEM - NON PERMANENT / PERMANENT		SCALE: NONE	DETAIL: 13
		APPROVED BY: CM	REV: DATE:



No.	Description (supplied by ATS)
1	3050 mm (120") Long Aluminum Outside Corner Trim Cap (SWL-109)
2	3050 mm (120") Long Aluminum Outside Corner Trim Base (SWL-108)
3	#6 x 19 mm (3/4") Flat Head Self-Drilling SS Screw (AAA-04)
4	#6-20 x 8 mm (5/16") Type 25 HPL Screw (AAA-20)
5	16 ga. Metal Panel Clip - Painted Black (SWL-103)
6	Standard - 3050 mm (120") Long 16 ga. Metal Painted Black (SWL-101)
7	Trespa TopLab Vertical Panel - 8 or 10 mm (5/16" or 3/8") thick
8	Standard Drywall Anchor with Screw (SWL-102)
9	25 mm (1") Wide VHB Tape (SWL-106)
10	16 ga. Metal Starter Clip - Painted Black (SWL-105)

No.	Description (supplied by others)
A	Drywall
B	Wall Base Material

No.	Description
*	24 mm (15/16") with 8 mm (5/16") Thick Panel 26 mm (1-1/32") with 10 mm (3/8") Thick Panel
**	Distance Between Anchor Points: Up to 685 mm (27") with 8 mm (5/16") Thick Panel Up to 840 mm (33") with 10 mm (3/8") Thick Panel



PERMANENT INSTALLATION



www.quickshippanels.com
1-855-444-0588

TITLE: WALL BASE		DESIGN BY: CM	DATE: 2021-07-16
DESCRIPTION: SPECTRUM WALL LINING RAIL SYSTEM - NON PERMANENT / PERMANENT	SCALE: NONE	DETAIL: 14	APPROVED BY: CM
			REV: DATE: