



USER MANUAL

CB Star ARC-shaped AQUARIUM KIT



Perfect for an avid aquarist or anyone looking to break into the aquarium hobby, the ARC-shaped is a great mix of utility and beauty. The ARC-shaped is a stylish complement to any home or office space.

ATTENTION: Gravel, fish, plants, and decor are not included.

1. PRODUCT FEATURES

Perfect Starter Aquarium: The kit includes the proper equipment for starting an aquarium.

Advanced Filtration System: Powerful multi-stage filtration system includes filter cotton, biochemical cotton, biochemical balls and active carbon.

Perfect for plants, small fish, goldfish or a betta: The aquarium fits almost anywhere. It's the perfect size for plants, small fish, goldfish or a betta!

ARC-shaped Glass Aquarium: ARC-shaped filter housing has enough space to put in a filter and keep filter components out of view.

Frame construction with glass hood: The included glass hood reduces evaporation and ensures your fish do not jump out of the tank. Star handle prevents fingerprints on the glass.

Easy to set up and maintain: The design of this aquarium kit takes all the guesswork out of setting up an aquarium! Each item in the kit is easy to keep and maintain.

Built in LED Lighting: Three different light settings including blue light only, white light only and a combination option.

2. PACKAGE INCLUDES:

1. 5 Gallon Glass Aquarium with LED lighting
2. 1x Glass Hood with Star Handle
3. 1x Water Filter/Circulation Pump
 - a. Includes adjustable flow control



4. 1x Bag of Filter Media
 - a. Filter Cotton
 - b. Biochemical Cotton
 - c. Biochemical Balls
 - d. Active Carbon



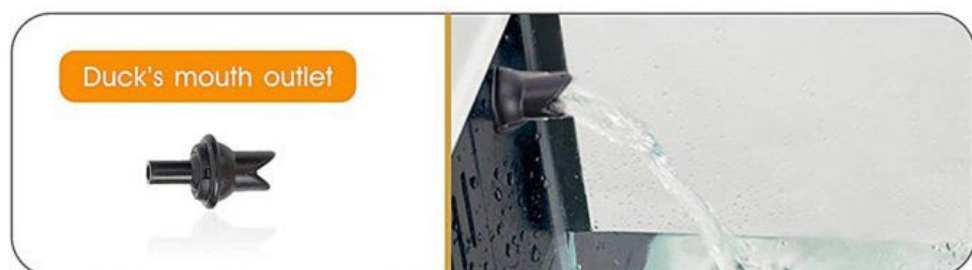
3. INSTRUCTION FOR SETUP:

Step 1: Thoroughly rinse the aquarium before use with fresh water and a damp cloth. *Never use soap on any component inside the aquarium as it could be harmful to the fish.*

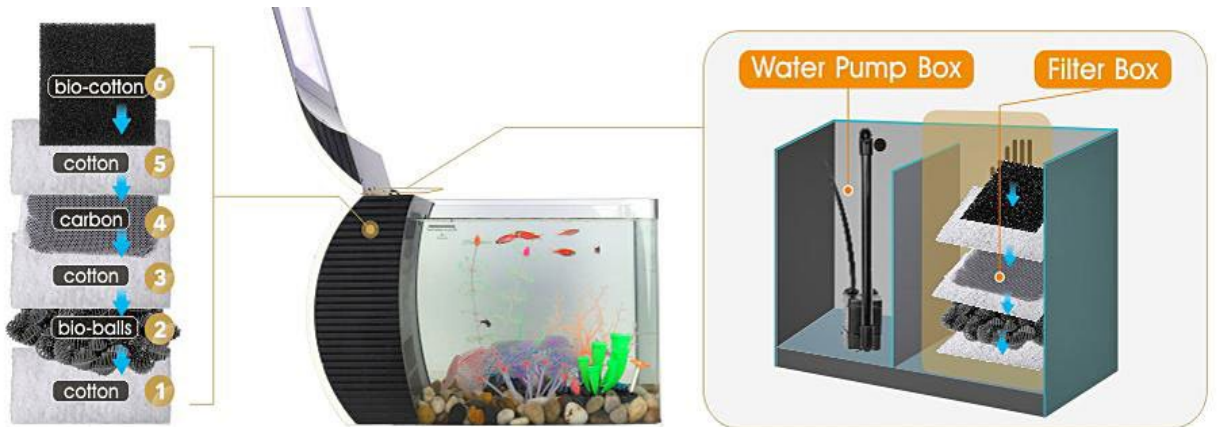
Step 2: Position filter media and pump.

A. Open the tank cover.

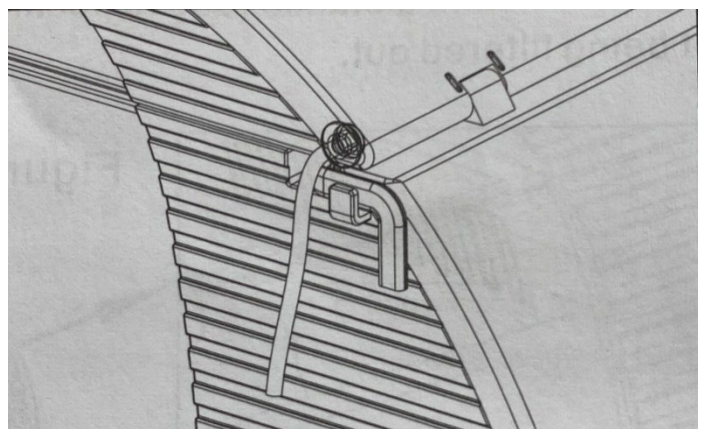
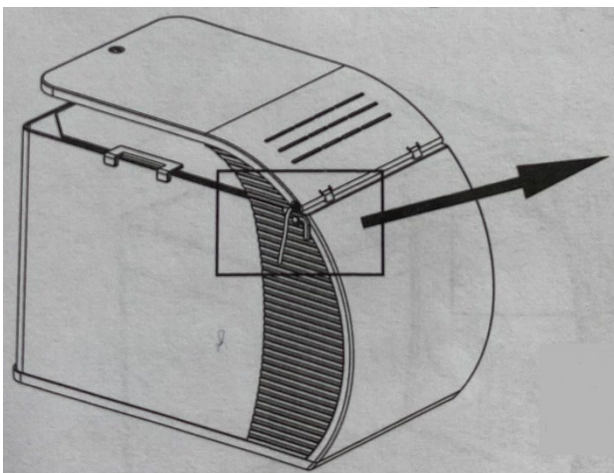
B. First, set the pump to the desired flow rate using the adjustable flow control on the pump. Put the water pump on the right side of the filter housing, and ensure the elbow connector is inserted into the water connector to complete installation. Ensure the water pump is placed in the direction as shown below. You have the option of using the rainwater spout or duck's mouth outlet.



C. Place filter materials in the following order: cotton, bio-balls, cotton, active carbon, cotton, and bio-cotton from bottom to top on the left side of the filter housing.



D. The water pump power cord can be hung on the hook on the right side of the tank. Don't pull it too tight; if you hear the vibration of the water pump, please put some slack in the power cord and make sure the pump is not making contact with the side of the tank.

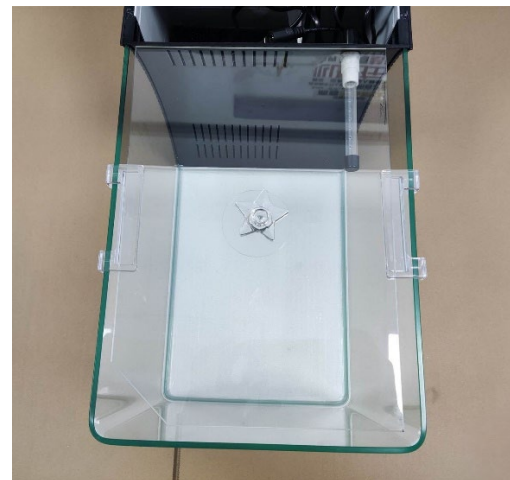


Step 3: Fill tank with water and plug in the power cords.

- A. Fill to at least the line indicating the minimum water level.
- B. Touch the button on the top cover to turn on the light.
 - a. Press once to turn on 6 blue lights only
 - b. Press again to turn on 12 white lights only
 - c. Press again to turn on all 18 lights (6 blue and 12 white)
 - d. Press again to turn off all lights

Step 4: Put glass hood cover on tank (optional but recommended)

- A. Attach the two clear plastic holders onto the glass hood cover, one on each of the longer sides, by sliding the glass into the slit on each piece as shown below.



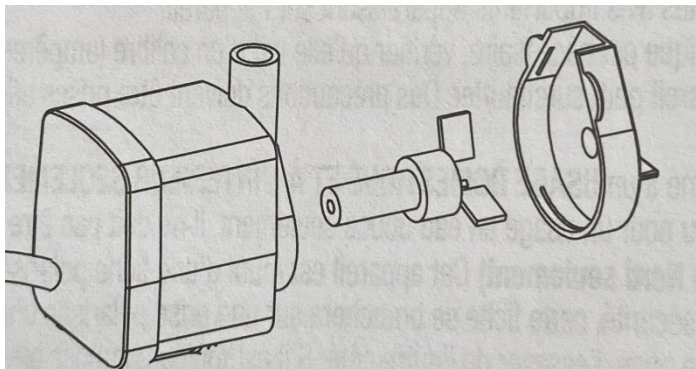
4. MAINTAINING:

To maintain clean glass for viewing, please use a piece of dry paper towel to wipe it clean from time to time. When you find the water cloudy, please move the fish into clean water, then replace the water inside the fish tank. Clean the filter media inside the filter housing, or replace it with new filter media to ensure the fish have a clean and comfortable living environment.

TIPS TO KEEP A SUCCESSFUL AQUARIUM:

- A. Change at least 25% of the water once per week.
- B. Keep the LED light on for a maximum of 8 hours per day.
- C. Keep the water at the proper level.
- D. Clean and maintain filter media regularly. Replace when necessary.
- E. Clean the motor in the water pump every 3-6 months.

Remove the impeller as shown below to clean well.



5. Contact Information:

Website: www.CbStar.org

E-mail: Support@CbStar.org

If you have any problems or suggestions for the aquarium kit, please contact us by email anytime.

6. CAUTION:

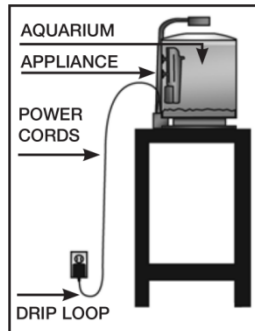
- 1. Ensure you use an outlet with appropriate voltage.
- 2. The power cord cannot be replaced. Stop using it if you find the power cord or plug is broken, aged, or cracked.
- 3. Ensure the tank is placed on a level surface.

4. The LED light is driven by a DV terminal line, please put the DV terminal line into power before turning it on. Power off and unplug the power cord before unplugging the DV terminal line. Do not connect the power plug before you connect the DV terminal line, it will cause the LED lights to not work. If this occurs, you must unplug and reconnect the power to resume normal operation.

7. WARNING: To guard against injury, basic safety precautions should be observed including the following:

1. **Read and follow this user manual strictly.**
2. **DANGER-** To avoid possible electric shock, special care should be taken since water is employed in the use of aquarium equipment. For each of the following situations, do not attempt to repair yourself. Return the appliance to an authorized service facility for service or discard the appliance.
3. If the appliance falls into the water, **DO NOT** reach for it! First, unplug it and then retrieve it. If the electrical components of the appliance get wet, unplug the appliance immediately.
4. Carefully examine the appliance after installation. It should not be plugged in if there is water on parts not intended to be wet.
5. Do not operate any appliance if it has a damaged cord or plug, if it is malfunctioning, or if it is dropped or damaged in any manner.
6. To avoid the possibility of the appliance plug getting wet, position the aquarium stand and tank to one side of a wall-mounted outlet to prevent water from dripping onto the outlet or plug. A “drip loop”, shown in the figure below, should be arranged by the user for each cord connecting an aquarium appliance to the outlet. The “drip loop” is the part of the cord below the level of the outlet, or the connector. If an extension cord is used, to prevent water traveling

along the cord and coming in contact with the outlet. If the plug or receptacle does get wet, DO NOT unplug the cord. Disconnect the fuse to the circuit breaker that supplies power to the appliance. Then unplug and examine for the presence of water in the outlet.



7. Close supervision is necessary when any appliance is used by or near children.
8. To avoid injury, do not contact moving parts or hot parts such as lamp bulbs.
9. Always unplug the appliance from the outlet when not in use, before putting on or taking off parts, and before cleaning. Never yank the cord to pull the plug from the outlet. Grasp the plug and pull to disconnect.
10. Do not use an appliance for other than intended use. The use of attachments not recommended or sold by the appliance manufacturer may cause an unsafe condition.
11. Do not install or store the appliance where it will be exposed to the weather or to temperatures below freezing.
12. Make sure an appliance mounted on a tank is securely installed before operating it.
13. Read and observe all the important notices on the appliance.
14. If an extension cord is necessary, a cord with a proper rating should be used. A cord rated for fewer amperes or watts than the appliance

rating may overheat. Care should be taken to arrange the cord so that it will not be tripped over or pulled.

15. The 2-conductor power cord has a polarized plug (one blade is wider than the other). As a safety feature, this plug will fit in a polarized outlet only one way. If the plug does not fit fully in the outlet, reverse the plug. If it still does not fit, contact a qualified electrician. Never use an extension cord unless the plug can be fully inserted. Do not attempt to defeat this safety feature.
16. The appliance is intended FOR HOUSEHOLD USE ONLY. Do not use or mount the appliance in such a way that the top vents are restricted or blocked. These vents are necessary to avoid overheating and ensure safe operating temperatures.
17. Save this user manual.

Thank you for choosing CB Star!