



喜華實業有限公司  
B D HOUSE LIMITED

九龍大角咀洋松街 8-10 號地舖

Tel : 2393 1419 Fax : 2789 8566

Whatsapp : 6841 9246

香港灣仔謝斐道227號地舖

Tel : 2891 0338 Fax : 2891 7912

Whatsapp : 6840 4251

新界屯門河田街4號凱昌工業大廈

地下 C, D, E 舖

Tel : 2618 7462 Fax : 2618 0332

Whatsapp : 5534 6347

新界火炭坳背灣街14-24號金豪工業大廈  
1座地下 A 舖

Tel : 3580 8136 Fax : 2381 4166

Whatsapp : 5532 1176

尋找

le-relax.hk  
info@le-relax.hk



房署認可製造商及供應商

窗較 FRICITONAL HINGES-PCCSFH-004

鋁窗 ALUMINIUM WINDOWS-PCCSAW-007

✓ 已取得建築產品認證 ✓ 已取得產品證明書

升威 LE-RELAX

專業選擇 ● 認證鋁窗

供應全港●外銷全球●聯絡你的承建商●LE-RELAX 就在你身邊



目录

Table of Contents

- P01-01 公司简介  
Company Profile
- P02-06 权威认证  
International Certification
- P07-14 铰链/伸缩撑/限位撑  
Frictional Hinge/Releasable stay hinge/ Restrictor stay hinge
- P15-16 安全扣  
Safety Buckle
- P17-19 玻璃胶  
Silicon Sealant
- P20-20 执手  
Window Handle
- P21-22 扶手铝梯  
Aluminum ladder with handle
- P23-23 A字铝梯  
Aluminum Ladder
- P24-24 铝质工作台  
Aluminum working platform



升威 LE-RELAX

## 公司简介

Company profile

### 镇威五金玻璃制品(中山)有限公司

镇威五金玻璃制品(中山)有限公司以研发、生产铝门窗制品、淋浴房、五金制品、不锈钢加工及幕墙工程为主,月产能销量达30000平方米。

产品远销香港,澳门,加拿大,澳大利亚,新加坡等国家及地区。

公司1986年始建于中国香港,生产基地坐落于广东省中山市港口镇迎富二路86号,建筑面积达65000多平方米,拥有700余人的团队。凭借着富有创意的资深设计开发队伍,完善的生产管理体系,设备精良的生产线,快捷便利的物流车队,精湛的生产工艺,经过30多年的发展与积聚,公司自强不息,产品始终顺应世界潮流并拥有自主品牌—升威“LE-RELAX”。

### Prestige Metal and Glass Products (Zhong Shan) Company Limited

Prestige Metal and Glass Products (Zhong Shan) Company Limited is mainly engaged in glass processing, with a monthly sales volume of 30,000 square meters.

Products are exported to Hong Kong, Macau, Canada, Australia, Singapore and other countries.

Our company was founded in 1986 in Hong Kong, China. The production base is located at No. 86, Ying Fu Second Road, Gangkou Town, Zhong Shan City, Guangdong Province. The area is more than 65,000 square meters with a team of more than 700 staff. Under a creative senior design and development team, perfect production management system. And sophisticated production lines, fast and convenient logistics fleet with exquisite technology. More than 30 years of development, our company has been constantly striving improvement. Its products always conform with world trend and have its own brand - "LE-RELAX".

## 权威认证

International Certification



LE-RELAX 升威商标证书  
LE-RELAX Trademark Certificate



ISO 质量管理体系认证  
ISO Quality System Certificate



# 香港房屋署认证

Product Conformity Certification Scheme for Friction Hinge (PCCS-FH)



德永(香港)有限公司  
Takwin (Hong Kong) Ltd.  
Unit 1207, 12/F, Block A, New Trade Plaza, 6 On Ping Street, Shatin, Hong Kong  
Tel : (852) 2687 6122 Website: www.takwin.com.hk  
Fax: (852) 2690 0122 e-mail : takwinhk@gmail.com



Certificate No. TW-PCCSFH-004

## CERTIFICATE FOR PRODUCT CERTIFICATION

This is to certify that the production system of

### Prestige Metal and Glass Products Limited

(Supplier) Address : Room 901-2, 9/F, Wing Lung Bank Centre,  
636 Nathan Road, Kowloon, Hong Kong

(Manufacturer) Prestige Metal and Glass Products (Zhongshan) Limited  
Address : Booth 2, Floor 2, No. 86 Yingfu Second Road, Gangkou Town,  
Zhongshan, Guangdong, 528447, P.R.China

has been assessed and complying with the requirements of

Product Conformity Certification Scheme  
For Frictional Hinges (PCCS-FH)  
Issue 1 (2011) by HKISC

Type 5 Product Certificate Scheme as defined in ISO/IEC 17067:2013

For the following scopes  
Manufacture of Frictional Hinges  
For LE Series  
(refer to the attachment for product details)

Signed for and on behalf of Takwin (Hong Kong) Limited

Operation Manager

Director

Date of Initial Certification : 24 May 2019 Amendment Date : ---  
This certificate is valid from 24 May 2019 to 23 May 2022, and remains valid subject to satisfactory surveillance audits.

The authenticity and status of this certificate may be checked at [www.takwin.com.hk/valuable-clients](http://www.takwin.com.hk/valuable-clients).

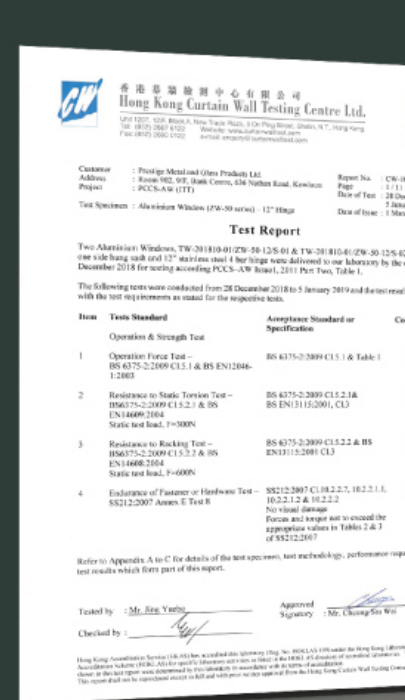
This certificate remains the property of Takwin (Hong Kong) Limited and shall be returned immediately upon request. In accordance with the Takwin (Hong Kong) Limited's General Terms and Conditions of Certification Services accessible at [www.takwin.com.hk/download](http://www.takwin.com.hk/download). Takwin undertakes no liability or responsibility for any production system outputs supplied under this certification scheme. The accreditation mark indicates HKAS accreditation in respect of those activities of Takwin covered under registration number 020. Further clarification regarding the scope of this certificate and its applicability may be obtained by consulting the organization. Rev. 15.10.2014

## PCCS-FH符合香港ISO IEC 17067:2013产品认证

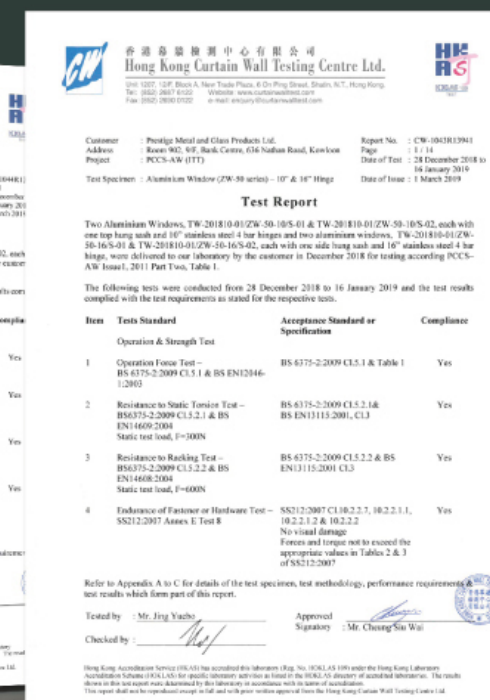
Hong Kong ISO Scheme for Friction Hinge (PCCS-FH)

# 香港房屋署免检报告

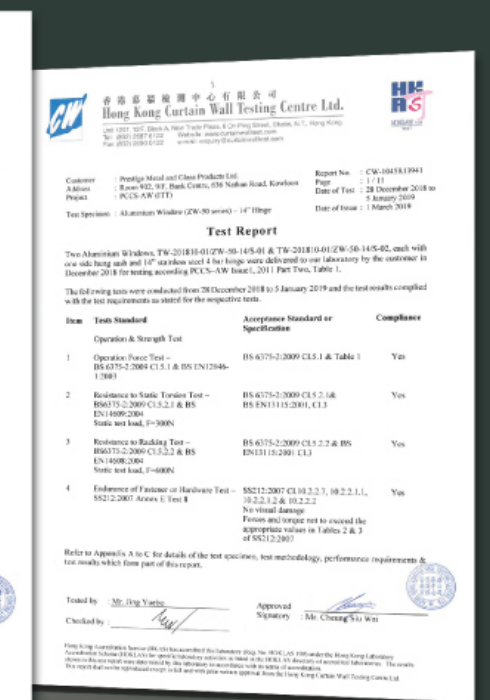
Hong Kong Housing Department Inspection Exemption Report



12寸铰链免检报告  
PCCS-FH Test Report for 12" Frictional Hinge



10寸&16寸铰链免检报告  
PCCS-FH Test Report for 10" & 16" Frictional Hinge



14寸铰链免检报告  
PCCS-FH Test Report for 14" Frictional Hinge

## PCCS-AW符合香港政府要求的ISO IEC 17067:2013产品认证

PCCS-AW complies with Hong Kong Government ISO IEC 17067:2013 product certification

# 国标检验报告

International Standard test report



## 检验报告

TEST REPORT

报告编号: JN2017MC0955



样品名称: 平开窗滑撑  
Sample Name

委托单位: 镇威五金玻璃制品(中山)有限公司  
Applicant

检验类别: 委托检验  
Test Type

国家建筑材料工业建筑五金水暖产品质量监督检验测试中心  
National Building Material Industry Hardware and Plumbing Equipment Quality Supervision and Test Center



### 平开窗滑撑LE-10检验报告

Test report of Frictional Hinge LE-10 inches for casement window

# 国标检验报告

International Standard test report



## 检验报告

TEST REPORT

报告编号: JN2017MC0956



样品名称: 平开窗滑撑  
Sample Name

委托单位: 镇威五金玻璃制品(中山)有限公司  
Applicant

检验类别: 委托检验  
Test Type

国家建筑材料工业建筑五金水暖产品质量监督检验测试中心  
National Building Material Industry Hardware and Plumbing Equipment Quality Supervision and Test Center



### 平开窗滑撑LE-12检验报告

Test report of Frictional Hinge LE-12 inches for casement window



## 检验报告

TEST REPORT

报告编号: JN2017MC0957



样品名称: 平开窗滑撑  
Sample Name

委托单位: 镇威五金玻璃制品(中山)有限公司  
Applicant

检验类别: 委托检验  
Test Type

国家建筑材料工业建筑五金水暖产品质量监督检验测试中心  
National Building Material Industry Hardware and Plumbing Equipment Quality Supervision and Test Center



### 平开窗滑撑LE-14检验报告

Test report of Frictional Hinge LE-14 inches for casement window



## 检验报告

TEST REPORT

报告编号: JN2017MC0958



样品名称: 平开窗滑撑  
Sample Name

委托单位: 镇威五金玻璃制品(中山)有限公司  
Applicant

检验类别: 委托检验  
Test Type

国家建筑材料工业建筑五金水暖产品质量监督检验测试中心  
National Building Material Industry Hardware and Plumbing Equipment Quality Supervision and Test Center



### 平开窗滑撑LE-16检验报告

Test report of Frictional Hinge LE-16 inches for casement window



## 检验报告

TEST REPORT

报告编号: JN2017MC0959



样品名称: 平开窗滑撑  
Sample Name

委托单位: 镇威五金玻璃制品(中山)有限公司  
Applicant

检验类别: 委托检验  
Test Type

国家建筑材料工业建筑五金水暖产品质量监督检验测试中心  
National Building Material Industry Hardware and Plumbing Equipment Quality Supervision and Test Center



### 平开窗滑撑LE-18检验报告

Test report of Frictional Hinge LE-18 inches for casement window





## 精工铸造的铰链

Precision cast Frictional Hinge



» 铰链 Frictional Hinge



» 伸缩撑 Releasable stay hinge



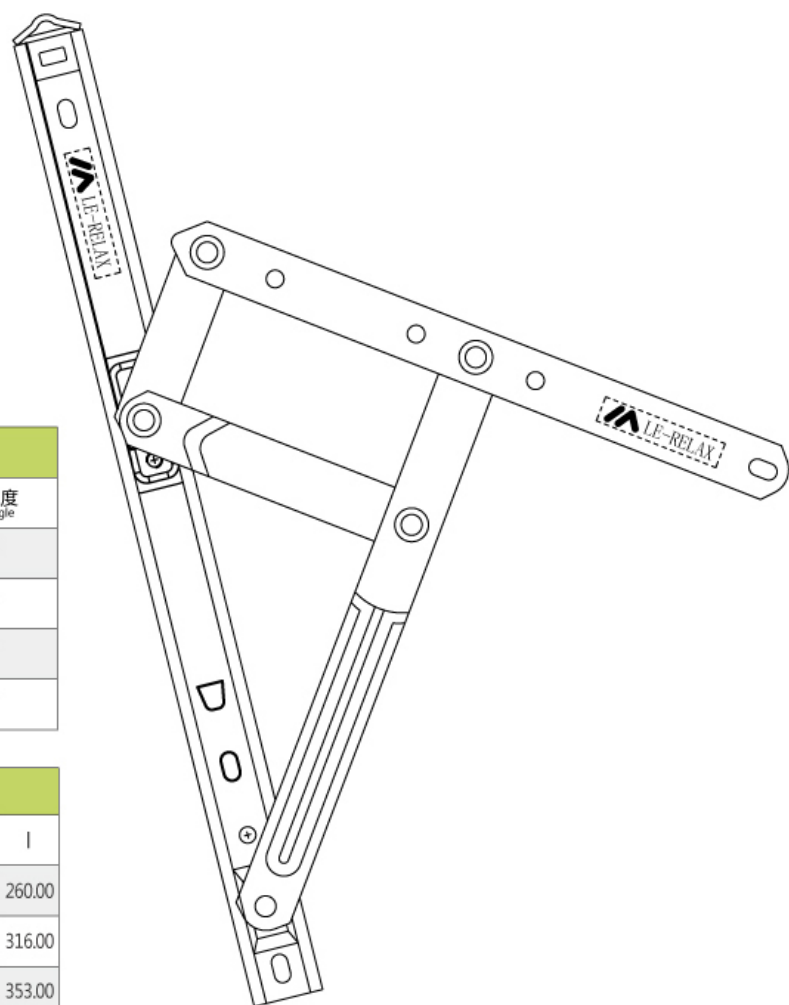
» 限位撑 Restrictor stay hinge



## LE 重型方槽系列 (平开)

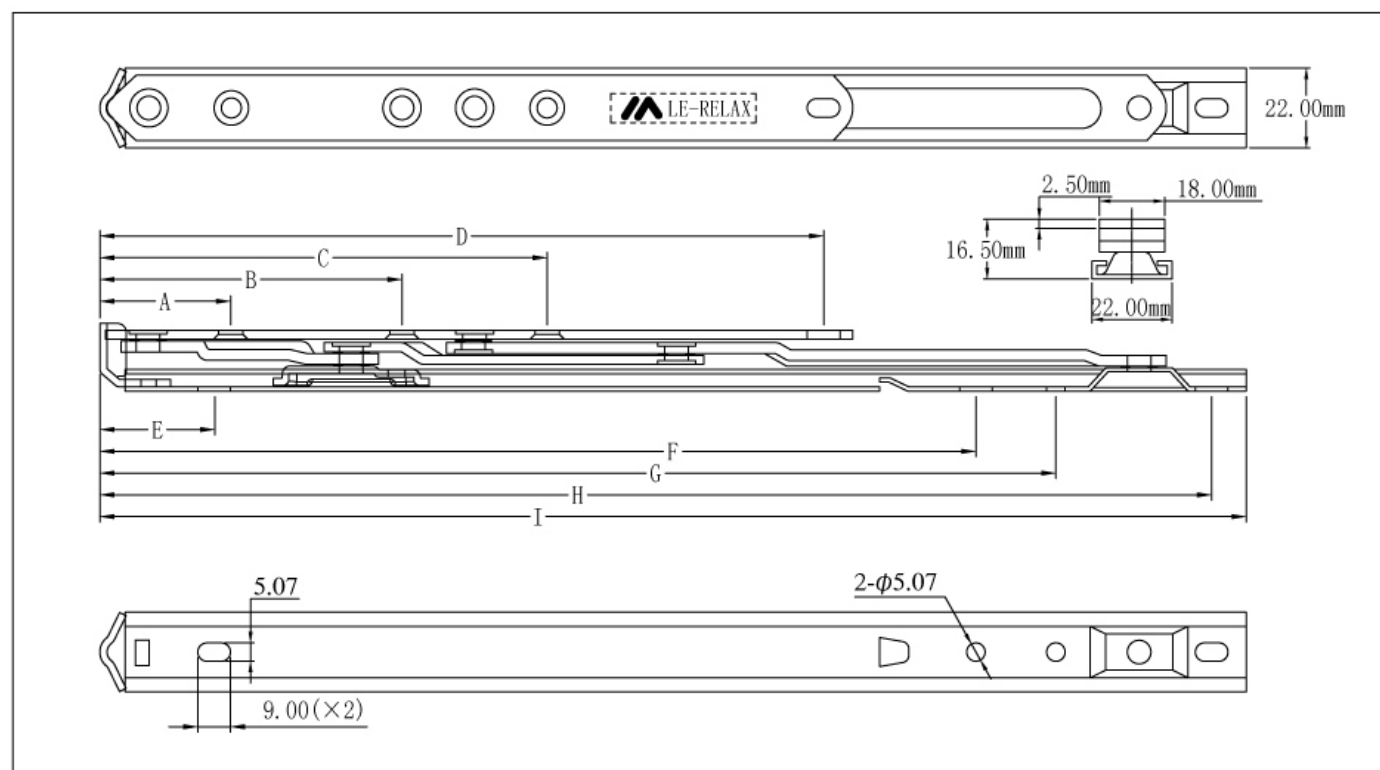
LE Heavy Duty base rails for casement window

- ★ 选用最优良的 (304) 不锈钢制造
- ★ 滑板选用最优良的 (H56) 黄铜制造
- ★ 符合香港政府要求的 ISO/ IEC 17067:2013 产品认证
- ★ Made of high quality (304) stainless steel
- ★ The sliding bolts is made of the best quality brass (H56)
- ★ ISO/ IEC 17067:2013 product certification as required by the Hong Kong Government



铝窗规格 Aluminum window specification				
型号 Model	窗最高 (mm) The maximum height	窗最宽 (mm) The maximum width	窗最重 (kg) The maximum weight	开窗角度 Open angle
LE-10	1500	500	23.3	90°
LE-12	1500	600	28.3	90°
LE-14	1500	700	32.7	90°
LE-16	1800	800	35.7	90°

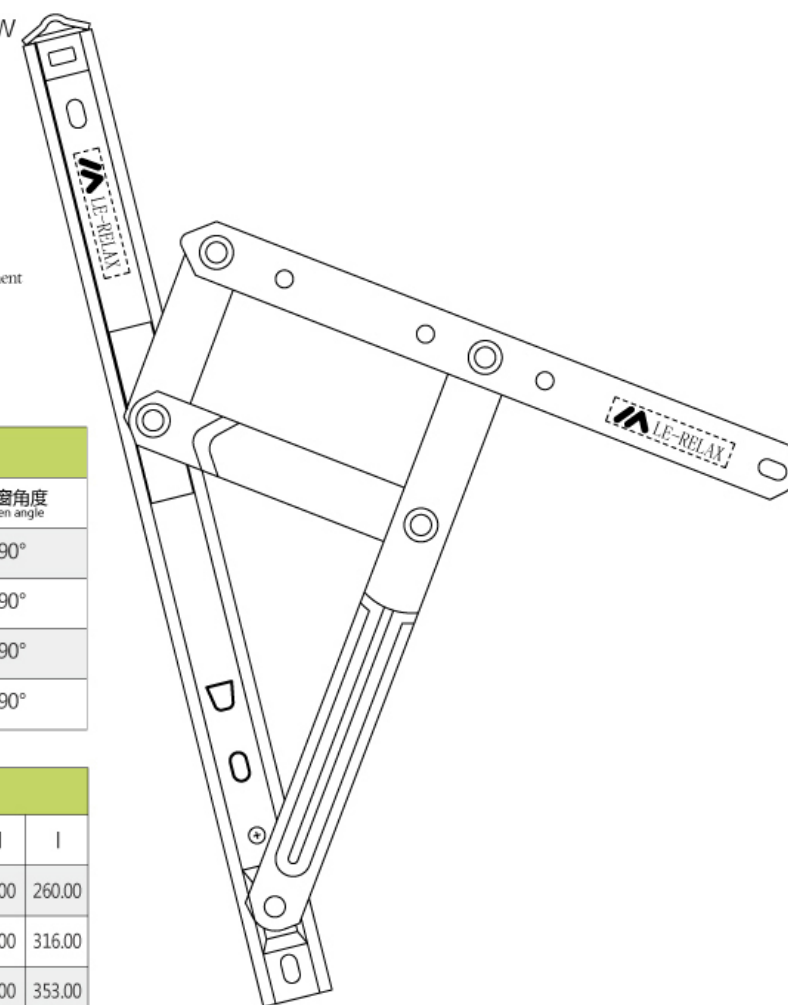
安装尺寸 (mm) Installation dimensions									
MODEL NO.	A	B	C	D	E	F	G	H	I
LE-10	36.00	--	105.00	171.00	31.00	209.00	--	252.00	260.00
LE-12	36.00	84.00	124.00	200.00	32.00	242.00	264.00	307.00	316.00
LE-14	36.00	100.00	140.00	216.00	32.00	265.00	300.00	344.00	353.00
LE-16	36.00	124.00	164.00	240.00	32.00	291.00	360.00	405.00	412.00



## LE 重型方槽系列 (平开)

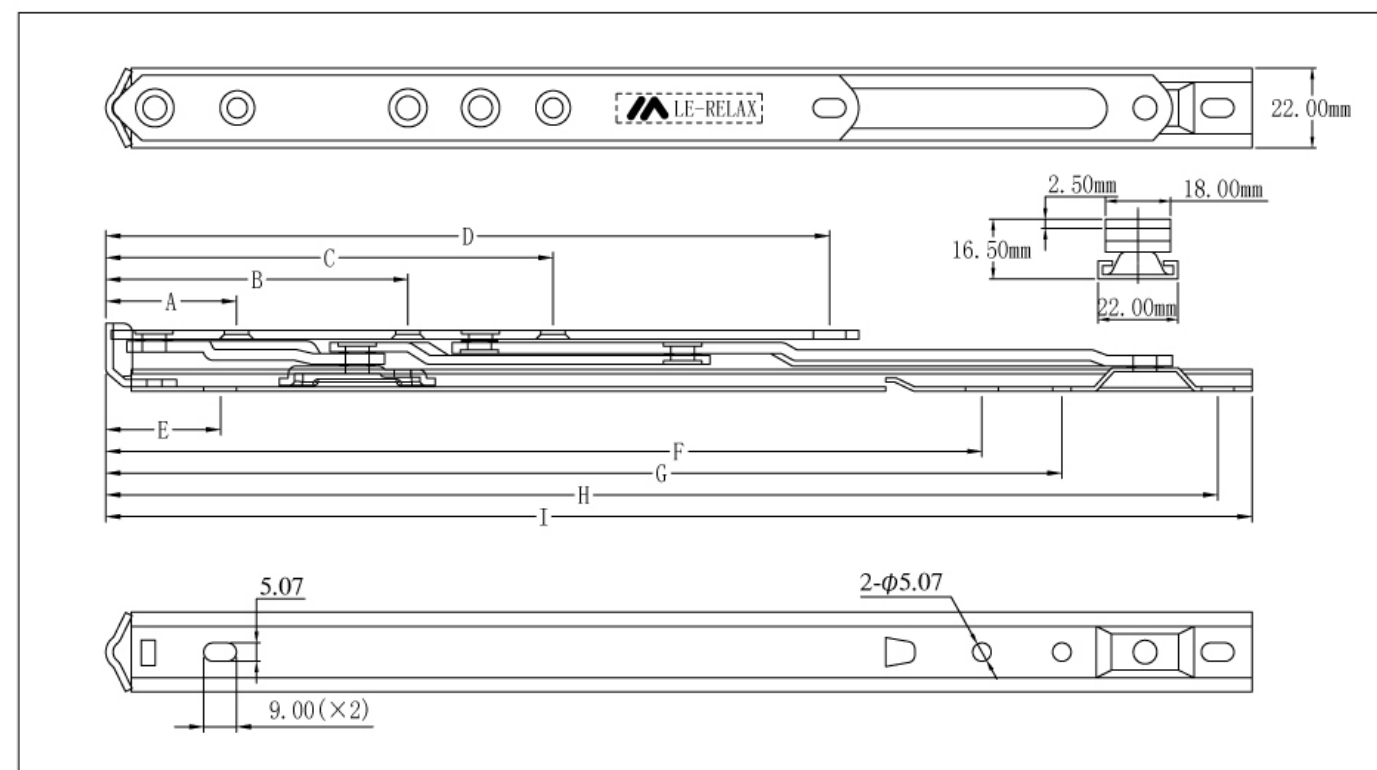
LE Heavy Duty base rails for casement window

- ★ 选用最优良的 (304) 不锈钢制造
- ★ 滑板选用最优良的 (PA66) 包不锈钢制造
- ★ 符合香港政府要求的 ISO/ IEC 17067:2013 产品认证
- ★ Made of high quality (304) stainless steel
- ★ The sliding bolts is made of the best (PA66) stainless steel
- ★ ISO/ IEC 17067:2013 product certification as required by the Hong Kong Government



铝窗规格 Aluminum window specification				
型号 Model	窗最高 (mm) The maximum height	窗最宽 (mm) The maximum width	窗最重 (kg) The maximum weight	开窗角度 Open angle
LE-10	1500	500	23.3	90°
LE-12	1500	600	28.3	90°
LE-14	1500	700	32.7	90°
LE-16	1800	800	35.7	90°

安装尺寸 (mm) Installation dimensions									
MODEL NO.	A	B	C	D	E	F	G	H	I
LE-10	36.00	--	105.00	171.00	31.00	209.00	--	252.00	260.00
LE-12	36.00	84.00	124.00	200.00	32.00	242.00	264.00	307.00	316.00
LE-14	36.00	100.00	140.00	216.00	32.00	265.00	300.00	344.00	353.00
LE-16	36.00	124.00	164.00	240.00	32.00	291.00	360.00	405.00	412.00



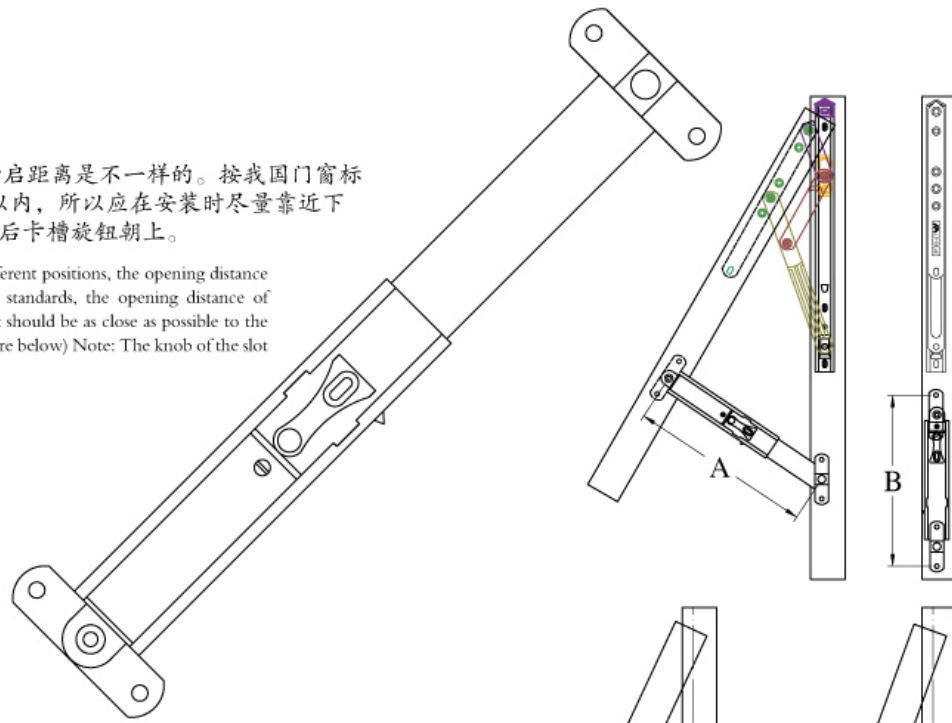


# 伸缩撑

## Releasable Stay Hinge

★ 1、伸缩撑安装在不同位置时,悬窗开启距离是不一样的。按我国门窗标准,悬窗开启距离应控制在300mm以内,所以应在安装时尽量靠近下侧位置为宜。(如下图) 注:安装后卡槽旋钮朝上。

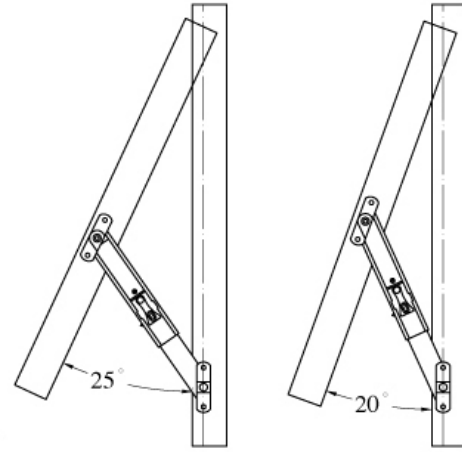
1. When the releasable stay hinge is installed in different positions, the opening distance of the window is different. According to China standards, the opening distance of window should be controlled within 300mm, so it should be as close as possible to the lower side during installation. (As shown in the figure below) Note: The knob of the slot faces upward after installation.



## LE-10 安装示意图 Diagram for LE-10 installation

- 1) 伸缩撑安装时,应保证尽量使两边安装位置对称,偏差不得超过1mm;
- 2) 在窗扇高度不大于1m时,可以不用安装伸缩撑;
- 3) 伸缩撑应尽量避免使用在高层以及风速过大的地域,如海边等;
- 4) 在无人看管悬窗时,应保证其处于关闭状态。在风大时,应保证及时关闭。

- 1) During the installation of releasable stay hinge, it may ensure that the installation positions on both sides are as symmetric as possible and the deviation is not more than 1mm;
- 2) When the height of the sash is not more than 1m, releasable stay hinge may not be installed;
- 3) Releasable stay hinge should be avoided as far as high-rise area and areas with excessive wind speed, such as the seaside;
- 4) It will ensure that the window is closed when it is left unattended. When the wind is strong, it should be closed in time.



★ 2、关于伸缩撑使用方法:伸缩撑固定好后,先把窗扇向外推,当推到最大位置后,然后再往回拉,这时会有一声“喀”的声音,表明已经锁止。在关闭窗扇时,先将窗扇向外推,脱离锁止位置后,再向关闭方向拉窗扇,直至窗扇关闭。

2. Instruction for use of releasable stay hinge: after the releasable stay hinge is fixed, push the window sash outward first. When it is pushed to the maximum position, then pull it back. There will be a "click" sound at this time, indicating that it has been locked. When closing the window sash, first push the window sash outward. And then pull the window sash in the closing direction until the window sash is closed.

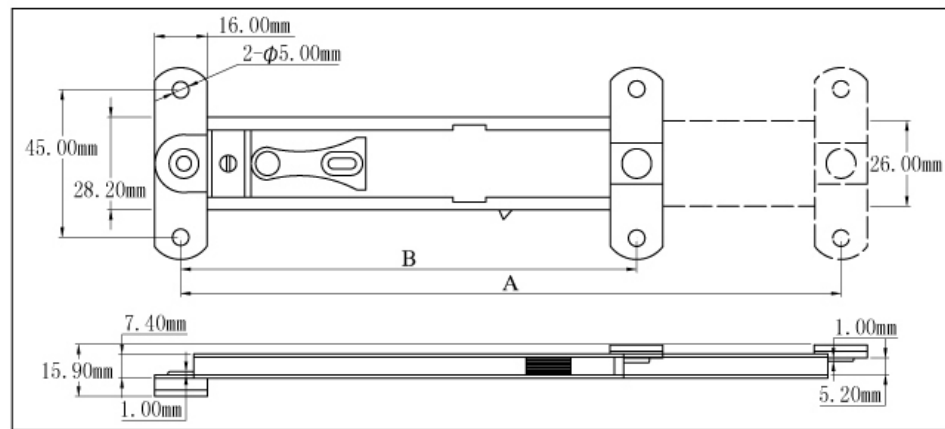
★ 3、关于伸缩撑卡位片使用方法:

当室外基本没有风压危险时,可以使用卡位片。在将伸缩撑推到开启位置后,可以用手动方法将卡位片推到沟槽中,防止伸缩撑突然弹回,可以说卡位片是一个保险装置。由于伸缩撑本身已经是锁定式撑挡,所以卡位片只是一个辅助装置。卡位片使用方法如右图。

3. Instruction for use of releasable stay hinge:

When there is no risk of wind pressure outside, you can use the lock. After pushing the releasable stay hinge to the open position, you can manually push the locking piece into the groove to prevent it rebounding suddenly. It can be said that the locking piece is a safety device. Since the releasable stay hinge itself is already a locking brace, the clamping piece is just an auxiliary device. How to use the device as shown on the right.

MODEL NO.	A (mm)	B (mm)
LE-06	201.50	152.00
LE-07	251.50	177.00
LE-08	303.50	203.00
LE-10	405.50	254.00
LE-12	505.50	304.00



# 限位撑

## Restrictor stay hinge

### LE 标准系列限位撑

LE standard restrictor stay hinge

型号 (Model)	A	B	C	D	*E	F	G
LE-06	152.00	133.50	135.20	44.00	16.00	13.00	18.00
LE-08	202.00	186.00	188.70	44.00	16.00	13.00	18.00
LE-10	254.00	238.00	238.00	44.00	16.00	13.00	18.00
LE-12	305.00	284.40	279.20	44.00	16.00	13.00	18.00
LE-14	356.00	335.40	335.40	44.00	16.00	13.00	18.00

\*有13mm和16mm两种尺寸可供选择  
\* Available for 13mm and 16mm sizes

### LED 重型系列限位撑

LED heavy duty series restrictor stay hinge

型号 (Model)	A	B	C	D	*E	F	G
LE-08	203.00	186.00	187.30	44.00	16.00	13.00	22.00
LE-10	254.00	234.60	234.50	44.00	16.00	13.00	22.00
LE-12	304.80	284.40	279.20	44.00	16.00	13.00	22.00
LE-14	354.60	334.20	338.00	44.00	16.00	13.00	22.00
LE-16	406.00	385.00	385.00	44.00	16.00	13.00	22.00

\*有13mm和16mm两种尺寸可供选择  
\* Available for 13mm and 16mm sizes

- ★ 限位撑是专门设计来限制顶悬窗打开的角度。
- ★ 限位窗撑使用时,可在顶悬窗上使用限制其打开的宽度,其作用可: 1) 防止大风损坏窗户; 2) 防止儿童从窗隙坠下。
- ★ 选用最优良的(304)不锈钢制造。
- ★ Restrictor stay hinge is specially designed to limit the opening angle of the window.
- ★ When the restrictor stay hinge is used, it can be used on the overhang window to limit its opening width. Its functions can be: 1) Prevent the windows from being damaged by strong winds; 2) Prevent children from falling through window gaps.
- ★ Made of high quality (304) stainless steels.

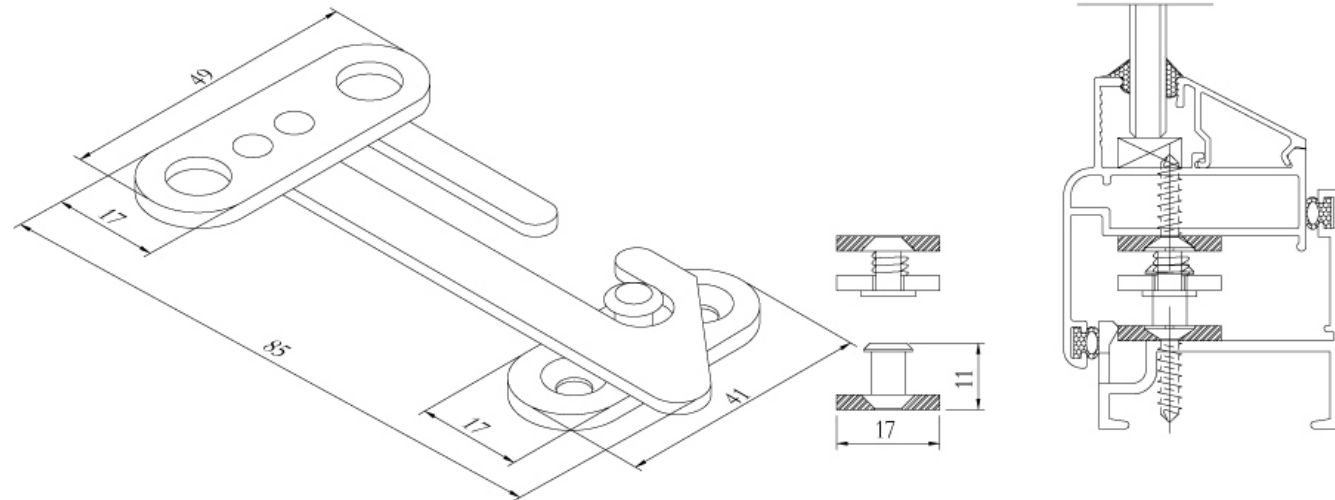


## 安全扣



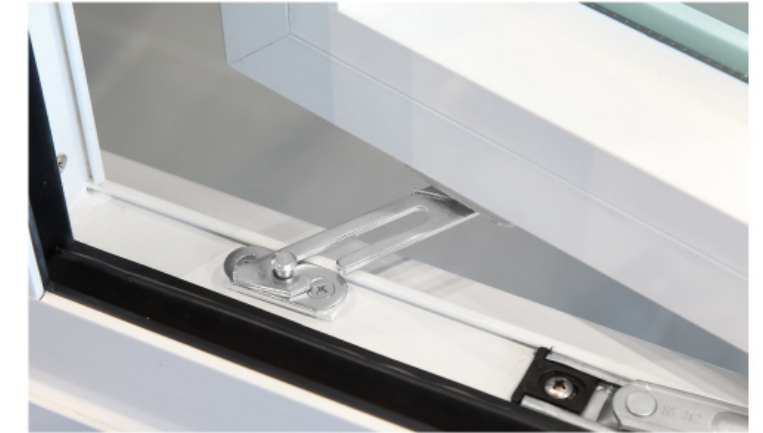
- ◆ 锁体全304#不锈钢，牢固结实且耐锈。
- ◆ 实心厚实限位点，可开65度。
- ◆ 多圈强力弹簧，有效固定限位。
- ◆ 2.5mm加厚平整底板，安装牢固。

- ◆ The lock body is made of 304# stainless steel, strong and rust - resistant.
- ◆ Solid thick limit point can be opened 65 degrees.
- ◆ Multi-turn powerful springs can effectively fixed the position.
- ◆ 2.5mm thick and flat bottom plate for firm installation.

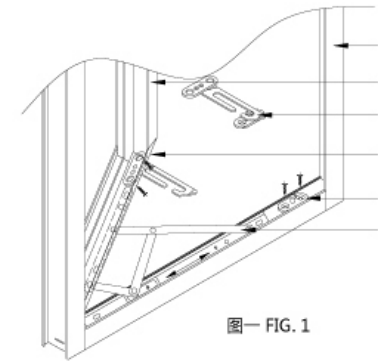


适用于相应规格窗、玻璃幕墙。

Applicable to the corresponding specifications windows and glass curtain wall.



### 安全扣安装注意事项 Safety buckle installation precautions

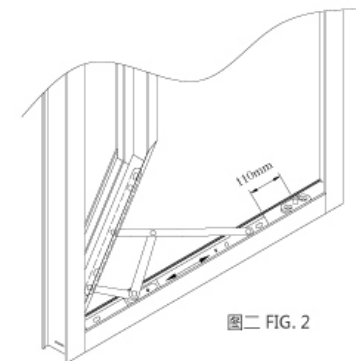


图一 FIG. 1

1、

- ①窗框
- ②窗扇
- ③安全扣环扣紧状态
- ④安全扣环开后状态
- ⑤安全扣点
- ⑥窗撑

- ①Window frame
- ②Window sash
- ③Safety buckle fastened state
- ④State after the safety buckle is opened
- ⑤Safety points
- ⑥Frictional Hinge

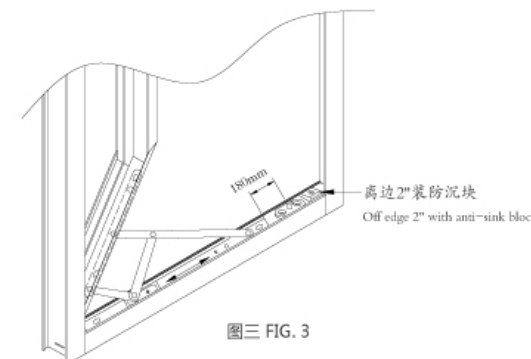


图二 FIG. 2

2、

需安装安全扣的掩窗，窗撑尾端至框内侧，须预留110mm空位。安装窗撑时，安全扣连窗撑。

If you need to install the safety buckle for the window cover, 110mm space must be reserved from the end of the window hinge to the inside of the frame. When installing the Dual Lock must fasten the window safety.



图三 FIG. 3

3、

装多点锁的掩窗如需安装安全扣，窗撑尾端至框内侧，须预留180mm空位。安装多点锁时，安全扣连窗撑。

A window cover with multi-point locks must be installed. A space of 180mm must be reserved from the end of the window hinge to the inside of the frame. When installing multi-point locks must fasten the window safety.



**TOPP** 是一种外部专用有机矽，无需底漆即可对大多数建筑材料表现出出色的粘合性，具有出色的弹性，耐候性强，并可以有效地应对±30%的运动和收缩膨胀。

**TOPP** is a kind of professional silicon sealant which can achieve excellent adhesion to most building materials without primer. It has good elasticity, strong weather resistance. It can effectively deal with ±30% movement and shrinkage expansion.



- 环保建材认证产品  
Environmental building materials certified products
- 出色的运动公差±30%  
Suitable flexibility and movement capability as +/- 30% for panel & stone joint
- 建筑材料无腐蚀  
No corrosion of building materials
- 优异的耐热性，耐候性和耐久性  
Good heat resistance, weather resistance and durability

- Color
- Champagne 香槟
  - White 白色
  - Grey 灰色
  - Black 黑色
  - Bronze 古铜



**Low VOC**  
符合挥发性有机化合物规定

**Non Corrosive**  
无腐蚀性

**Indoor & Outdoor**  
室内/室外

- 间隔室拉缝  
Compartment slit
  - 窗户的接缝  
Seams of windows
  - 建筑内部和外部接缝  
Building interior and exterior joints
  - 铝幕墙缝  
Aluminum curtain wall joint
- 适合各种材料，包括不锈钢、石质、木材、玻璃和铝门窗。
- Suitable for various materials, including stainless steel, stone, wooden, glass, aluminum doors and windows

# WACKER TOPP WACKER

## NEUTRAL CURE SILICONE 中性矽酮耐候密封胶

产品特性	
产品特色	TOPP
固化方式	中性固化
表面硬化时间(分钟)	10分钟以内
完成固化时间(天)	7-14天
重要性	1, 37
硬度(邵氏A)	25~30
拉伸强度(kgf/cm <sup>2</sup> )	10~15
运动容差(%)	±30
最大伸长率(%)	400~500
耐臭氧/紫外线	Excellent
可能的建筑温度(°C)	5°C~40°C
包装单位	300毫升/CTG



BS5889:1989 BS3712:1985

Product Features	
Product Characteristics	TOPP
Curing type	Neutral curing
Tack free time (min)	less than 10 minutes
Full curing time (day)	7 to 14days
Specific gravity	1, 37
Hardness (shore A)	25~30
Tensile strength(kgf/cm <sup>2</sup> )	10~15
Tolerance of movement (%)	±30
Maximum elongation(%)	400~500
Resistance for UV/Ozone	Excellent
Application temperature range	5°C~40°C
Package	300ml/CTG

# LC909N SILICONE SEALANT

中性矽酮密封胶

**LC909N** 是中性固化型，几乎没有刺激性气味，具有出色的附着力，耐用性和出色的耐候性，使其适用于各种建筑物和玻璃制品。

**LC909N** is suitable for various buildings materials and windows glazing. It has strong adhesion strength and performs excellent durability and weatherproofing feature without smelling.



## NEUTRAL CURE SILICONE SEALANT



BS5889:1989  
BS3712:1985





KORESEAL

KCC

韩国制造 Made in Korea General Glazing sealant

# SL907 Premium

**特征**

- 单组成
- 出色的可发射性
- 中性固化

- Characteristics
- Single Component
  - Excellent transmissibility
  - Neutral curing

**效益**

- 出色的耐候性
- 出色的可加工性

- Benefits
- Good weather resistance
  - Excellent processability

**主要成分**

- 有机硅聚合物

- Main ingredients
- Silicon polymer



KCC Corporation

1. 引言

KORESEAL SL907 Premium是一种单组分室温硫化(中性固化)有机硅密封胶,具有出色的附着力和非常好的耐候性。

2. 申请

- 普通玻璃的密封。

3. 主要属性

- \*对大多数基材具有良好的附着力
- \*四季皆宜的耐候性和枪支加工性

1. The introduction

KORESEAL SL907 Premium is a one-component room-temperature vulcanization and neutral curing (oxime) silicone sealant with excellent adhesion and weather resistance.

2. Application

- Glass sealing

3. Main attributes

- \* Good adhesion to most substrates
- \* Weather resistance and processing suitable for all seasons

4. 性能

4. Performance

(在23°C, 50%相对湿度下测试)  
(tested at 23°C, 50% relative humidity)

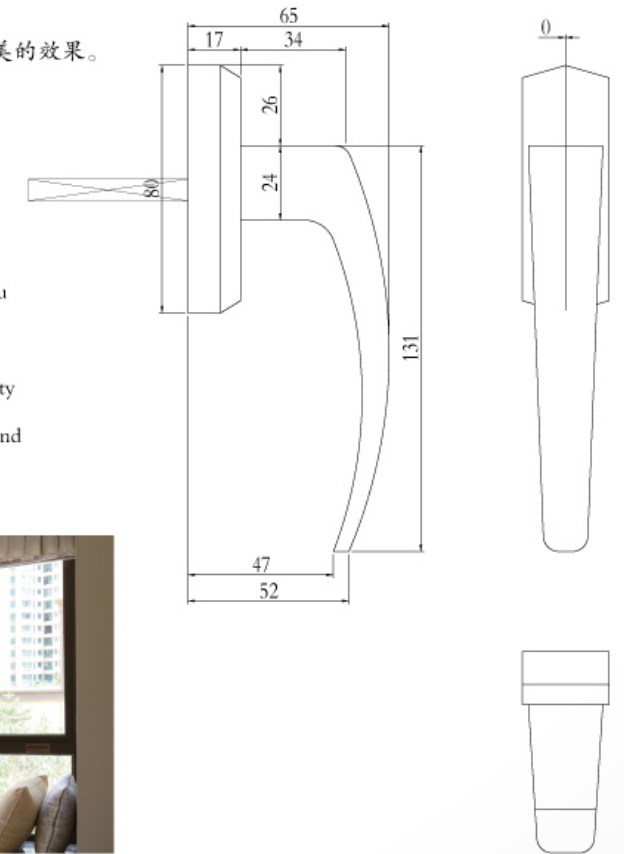
属性 Attribute	单位 Unit	结果 Results
粘合剂 Adhesive	-	有机硅聚合物 Silicon polymer
固化系统 Curing system	-	中性固化(肟) Neutral cure (oxime)
颜色 Color	-	白色, 灰色, 黑色, 透明等 White, grey, black, transparent
一致性 Consistency	-	软膏 Ointment
溶剂 Solvent	-	无 NIL
不粘手的时间 Time not sticky	min	Max.10
比重 Proportion	-	有色(CaCO3填充): 1.42 ± 0.1 透明(二氧化硅填充): 1.00 ± 0.1 Colored (CaCO3 fill): 1.42 ± 0.1 Transparent (silica fill): 1.00 ± 0.1
硬度 Hardness	邵氏A Shore A scale	约20~30 About 20 ~ 30
拉伸强度 (ASTM D412) Tensile strength (ASTM D412)	N/mm <sup>2</sup>	近似值. 1.0 Approximate value. 1.0
伸长率 (ASTM D412) Elongation (ASTM D412)	%	有色(充满CaCO3): 近似值. 450 透明(二氧化硅填充): 大约. 650 Colored (filled with CaCO3): approximate value. 450 Transparent (silica filled): approx. 650
包装 Packaging	-	0.3公升. 塑料墨盒 0.3 liter. Plastic cartridge
保质期 Shelf life	月 Month	12
耐候性 Weather resistance	-	极好 Excellent

## 执手 Window Handle



- ◆ LE-RELAX原创设计, 先进技术, 让您充分感受到实用安全完美的效果。
- ◆ 多点定位齿轮技术, 防盗防撬, 让您更加安心。
- ◆ 实心铝合金, 采用国标(G.B)优质合金铸造, 结实不变形。
- ◆ 3.5mm 厚铝合金拔叉, 防锈防腐蚀, 结实不变形。
- ◆ 180度旋转装饰盖方便安装, 左右可调, 光泽美观。

- ◆ LE-RELAX original design, advanced technology. It make you fully feel the practical and safe perfect effect.
- ◆ Multi-point positioning gear technology, anti-theft and anti-pry. It make you more peace of mind.
- ◆ Solid aluminum alloy is cast with national standard (G.B) which is high quality with firm and deformation free.
- ◆ 3.5mm thick aluminum alloy fork anti-rust and corrosion which is high quality with firm and deformation free.
- ◆ The 180 degree rotating decorative cover is easy to install. Adjustable around and beautiful luster.



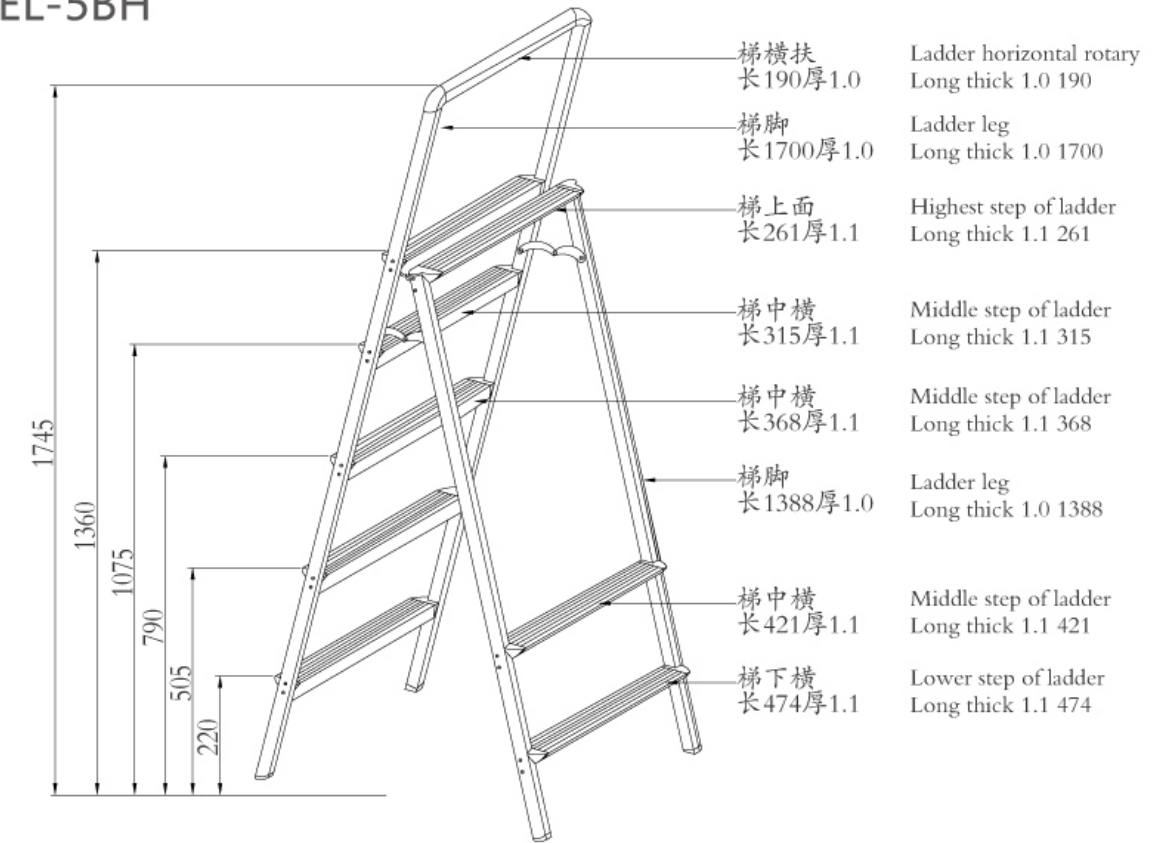
# 扶手铝梯 Aluminum ladder with handle



- ◆ 全铝合金结构，超强承重，三角结构增加承重，安全更稳固，方便快捷；
- ◆ 折叠式设计，易收纳不占空间；
- ◆ 外观新颖时尚，国际知名设计师加盟设计，制造工艺精湛；
- ◆ 优质脚垫，更静音，让您避免刺耳的噪音；
- ◆ 超宽顶板设计，更方便安全作业。

- ◆ All aluminum alloy structure, super bearing capacity. Triangular structure increase the inter weight. Safer and more stable. Convenient and fast;
- ◆ Folding design, easy to store and not take up space;
- ◆ The appearance is novel and fashionable. The international renowned designer joins the design. The manufacture process is exquisite;
- ◆ High-quality foot pads with quieter. So you can avoid harsh noises;
- ◆ The ultra-wide roof design is more convenient and safe to work.

## LEL-5BH



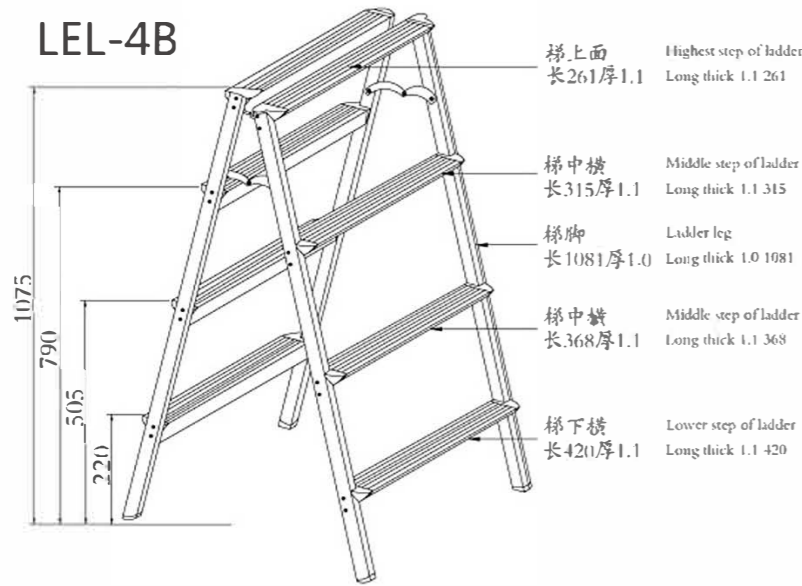
型号 Model	名称 Product name	展开高度(mm) Expansion height(mm)	承受重量(kg) Loading weight (kg)
LEL-2BH	2级扶手梯 Two steps of ladder	840	130
LEL-3BH	3级扶手梯 Three steps of ladder	1075	130
LEL-4BH	4级扶手梯 Four steps of ladder	1360	130
LEL-5BH	5级扶手梯 Five steps of ladder	1745	130
LEL-6BH	6级扶手梯 Six steps of ladder	2030	130

## » A字铝梯 Aluminum ladder



- ◆ 全铝合金结构，超强承重，三角结构增加承重，安全更稳固，方便快捷；
  - ◆ 折叠式设计，易收纳不占空间；
  - ◆ 外观新颖时尚，国际知名设计师加盟设计，制造工艺精湛；
  - ◆ 优质脚垫，更静音，让您避免刺耳的噪音；
  - ◆ 超宽顶板设计，更方便安全作业。
- ◆ All aluminum alloy structure, super bearing capacity. Triangular structure increase the inter weight. Safer and more stable. Convenient and fast;
  - ◆ Folding design, easy to store and not take up space;
  - ◆ The appearance is novel and fashionable. The international renowned designer joins the design. The manufacture process is exquisite;
  - ◆ High-quality foot pads with quieter. So you can avoid harsh noises;
  - ◆ The ultra-wide roof design is more convenient and safe to work.

LEL-4B



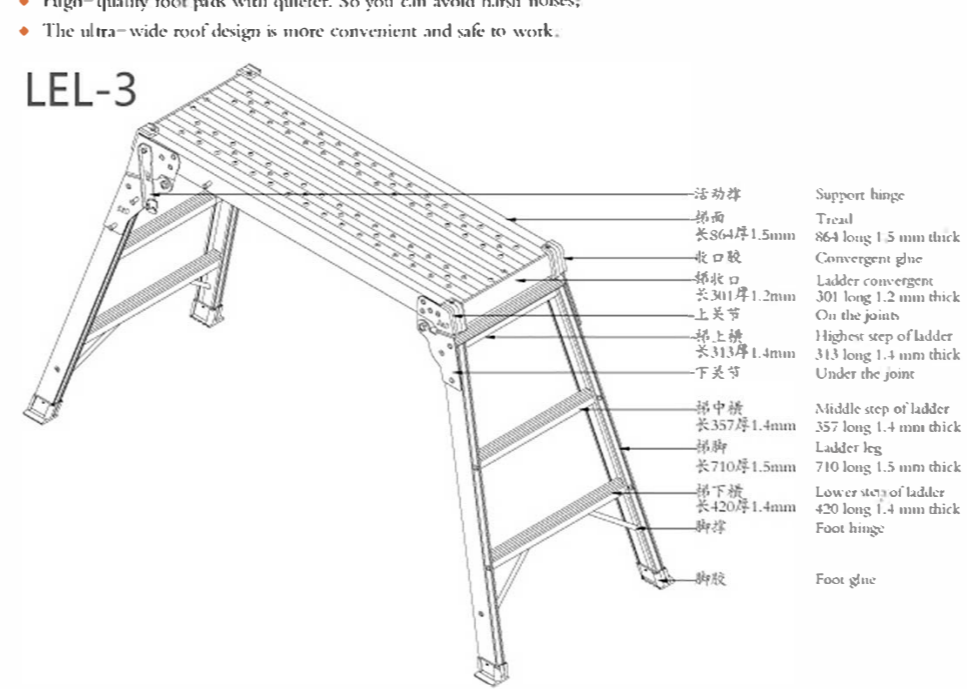
型号 Model	名称 Product name	展开高度(mm) Expansion height (mm)	承受重量(kg) Loading weight(kg)
LEL-2B	2级A字梯 Two steps of aluminum ladder	555	130
LEL-3B	3级A字梯 Three steps of aluminum ladder	790	130
LEL-4B	4级A字梯 Four steps of aluminum ladder	1075	130
LEL-5B	5级A字梯 Five steps of aluminum ladder	1360	130
LEL-6B	6级A字梯 Six steps of aluminum ladder	1645	130

## » 铝质工作台 Aluminum Working Platform



- ◆ 全铝合金结构，超强承重，三角结构增加承重，安全更稳固，方便快捷；
  - ◆ 折叠式设计，易收纳不占空间；
  - ◆ 外观新颖时尚，国际知名设计师加盟设计，制造工艺精湛；
  - ◆ 优质脚垫，更静音，让您避免刺耳的噪音；
  - ◆ 超宽顶板设计，更方便安全作业。
- ◆ All aluminum alloy structure, super bearing capacity. Triangular structure increase the inter weight. Safer and more stable. Convenient and fast;
  - ◆ Folding design, easy to store and not take up space;
  - ◆ The appearance is novel and fashionable. The international renowned designer joins the design. The manufacture process is exquisite;
  - ◆ High-quality foot pads with quieter. So you can avoid harsh noises;
  - ◆ The ultra-wide roof design is more convenient and safe to work.

LEL-3



型号 Model	铝质工作台(mm) Aluminum Working Platform(mm)	承受重量(kg) Loading weight(kg)
LEL-1	标准型 Standard	150
LEL-2	轻巧型 Lighter type	150
LEL-3	914 × 1219	150
特别尺寸 Special size	1219 × 1371	150

