

ADITYA SOLAR POWER APPLIANCES AND ELECTRONICS



Website: www.adityasolarpower.com Email: sales@adityasolarpower.com
#375/A 3rd Cross, Sivananda Nagar, New Thippasandra post, Bangalore – 560075

BANGALORE OFFICE: SEKHAR VAKADA Mobile: 9066305070

KAKINADA OFFICE: VENKATESH VAKADA Mobile: 8978072418

Last Updated : 25 JUNE 2021



SOLAR PANEL MOUNTING STRUCTURES

TIN ROOF

ALUMINIUM STRUT CHANNELS

MID CLAMPS

END CLAMPS

SPRING NUTS

ALLEN CAP BOLTS

RS. 3 PER WATT (1 to 5 KW)

RS. 2.5 PER WATT (10KW)



RCC ROOF TOP - ALUMINIUM

ALUMINIUM STRUT CHANNELS

ALUMINIUM TRIANGLE LEGS

ANCHOR BOLTS

MID CLAMPS

END CLAMPS

SPRING NUTS

ALLEN CAP BOLTS

RS. 5 PER WATT (1 TO 5KW)

RS. 4.5 PER WATT (10 KW)

RCC ROOF TOP - GI

GI CHANNELS

GI TRIANGLE LEGS

ANCHOR BOLTS

RS. 4.5 PER WATT (1 TO 5KW)

RS. 4 PER WATT (10 KW)



30mm 60mm 100mm MICRO CHANNELS

MICRO CHANNELS

MID CLAMPS

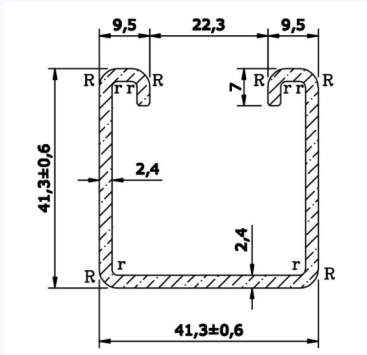
END CLAMPS

SPRING NUTS

ALLEN CAP BOLTS

RS. 1.5 PER WATT

COMPONENTS

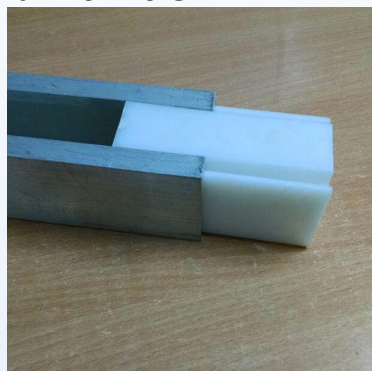


ALUMINIUM STRUT CHANNELS
41X41 MM THICKNESS 2.4 MM
LENGTHS 2.15 mtrs and 1.6 mtrs

ALUMINIUM LEGS 1.8 mtrs



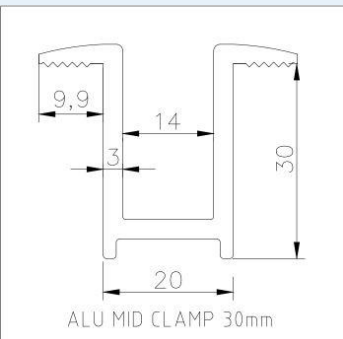
SPRING NUTS



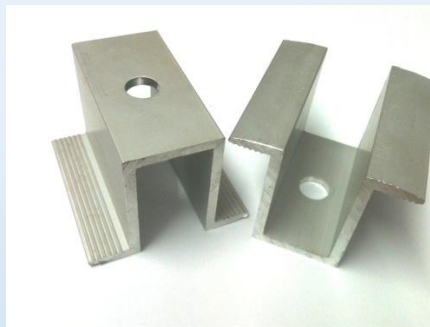
CHANNEL JOINT
BLOCKS PVC



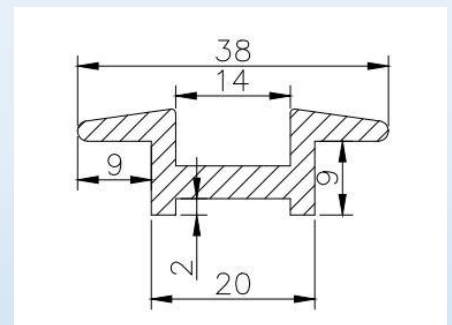
C-CHANNEL JOINT
ALUMINIUM



MID CLAMPS
HEIGHT 30 MM
WIDTH 20 MM



MID CLAMPS
HEIGHT 35 MM
WIDTH 30 MM



MID CLAMPS
HEIGHT 9 MM
WIDTH 20 MM



ALLEN CAP BOLTS
30 MM 60 MM 100 MM

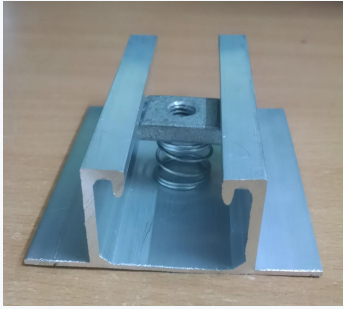


END CLAMPS
HEIGHT 37 MM



ANCHOR BOLTS
45 MM 75 MM

COMPONENTS



MICRO CHANNELS
30 mm x 350 mm



MICRO CHANNELS
60 mm x 350 mm



MICRO CHANNELS
100 mm x 350 mm

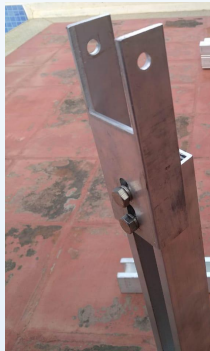


MICRO CHANNELS NUT
60 mm 100 mm ONLY

RCC LEG COMPONENTS



BASE PLATE HDG
150X75 mm



ALU C BRACKET
150X45 mm



BACK SIDE LEG
400 MM HEIGHT



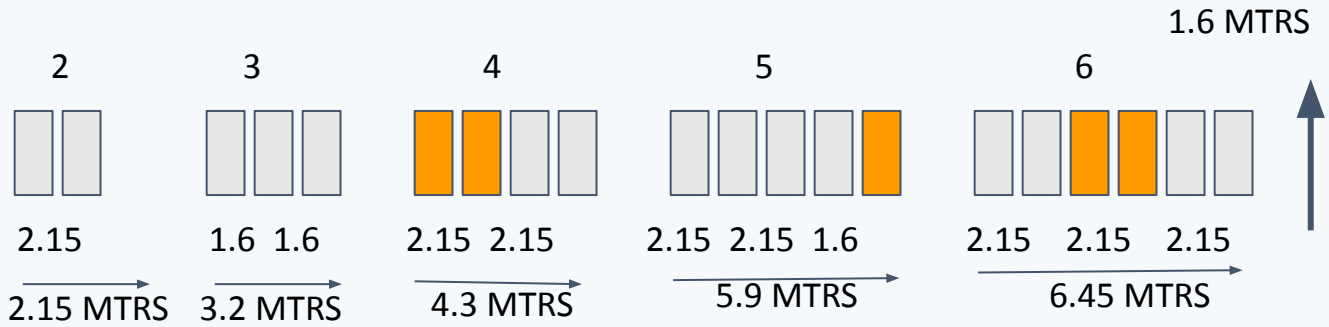
ELEVATED LEGS
1 MTR 2 MTR 3 MTR



ELEVATED LEGS
1 MTR 2 MTR

STRUCTURE COST SINGLE ROW

1 ROW

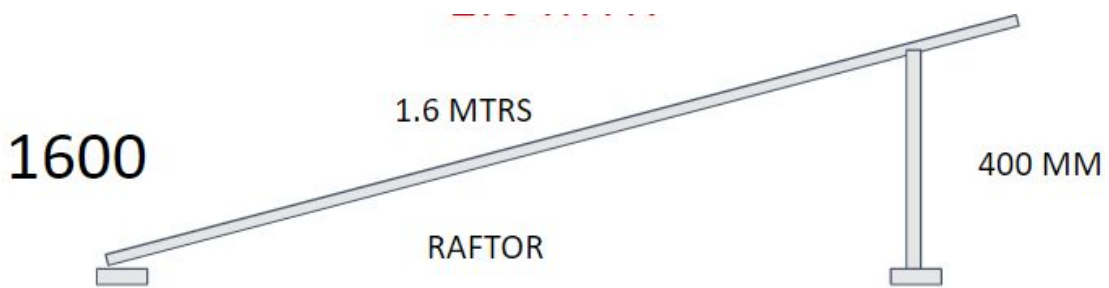


	PANEL STRCUTRE PRICE		sept 2020
NO PANELS	RCC PRICE (MODEL 1600 LEG)	TIN PRICE	MICRO PRICE
1	3000	900	650
2	3000	1200	1000
3	5000	2000	1300
4	5500	2500	1700
5	7400	3500	2000
6	7800	4000	2300
7	9700	4800	2800
8	10000	5000	3000
9	12000	6000	3400
10	12300	6500	3800
15	18000	9800	5500
20	24000	12500	7000
30	35000	19000	11000
	GST 18% EXTRA		
	TRANSPORT EXTRA		
CUSTOM DESIGN LEGS ARE AT EXTRA COSTS			
ELEVATED MODELS WILL HAVE MORE LEG SETS			

STRUCTURE BOM

RCC ROOF SIGNLE ROW MODEL 1600

NO OF PANELS	LEGS	ANCHOR BOLTS	2.15 CHANNEL	1.6 CHANNEL	MID CLAMP	END CLAMP	RCC SPRING NUTS	RCC ALLEN CAP
0	0	0	0	0	0	0	0	0
1	2	8	0	2	0	4	4	4
2	2	8	2	0	2	4	6	6
3	3	12	0	4	4	4	16	16
4	3	12	4	0	6	4	18	18
5	4	16	4	2	8	4	24	24
6	4	16	6	0	10	4	26	26
7	5	20	6	2	12	4	32	32
8	5	20	8	0	14	4	34	34
9	6	24	8	2	16	4	40	40
10	6	24	10	0	18	4	42	42
20	11	44	20	0	38	4	82	82
30	16	64	30	0	58	4	122	122
22	12	48	22	0	42	4	90	90
15	9	36	14	2	28	4	64	64



TIN ROOF STRUCTURE SINGLE ROW FULL RAIL

NO OF PANELS	2.15 CHANNEL	1.6 CHANNEL	MID CLAMP	END CLAMP	TIN SPRING NUTS	TIN ALLEN CAP	PVC CONNECT BLOCK
0	0	0	0	0	0	0	0
1	0	2	0	4	4	4	0
2	2	0	2	4	6	6	0
3	0	4	4	4	8	8	2
4	4	0	6	4	10	10	2
5	4	2	8	4	12	12	4
6	6	0	10	4	14	14	4
7	6	2	12	4	16	16	6
8	8	0	14	4	18	18	6
9	8	2	16	4	20	20	8
10	10	0	18	4	22	22	8
20	20	0	38	4	42	42	18
30	30	0	58	4	62	62	28
22	22	0	42	4	46	46	20
15	14	2	28	4	32	32	12

STRUCTURE BOM

TIN ROOF MICRO RAIL 30 MM SINGLE ROW

NO OF PANELS	MID CLAMP	END CLAMP	TIN SPRING NUTS	TIN ALLEN CAP	MICRO CHANNEL 30 MM
0	0	0	0	0	0
1	0	4	4	4	4
2	2	4	6	6	6
3	4	4	8	8	8
4	6	4	10	10	10
5	8	4	12	12	12
6	10	4	14	14	14
7	12	4	16	16	16
8	14	4	18	18	18
9	16	4	20	20	20
10	18	4	22	22	22
20	38	4	42	42	42
30	58	4	62	62	62
22	42	4	46	46	46
15	28	4	32	32	32



RCC STRUCTURE



RCC STRUCTURE



RCC STRUCTURE



TIN ROOF



MICRO CHANNEL



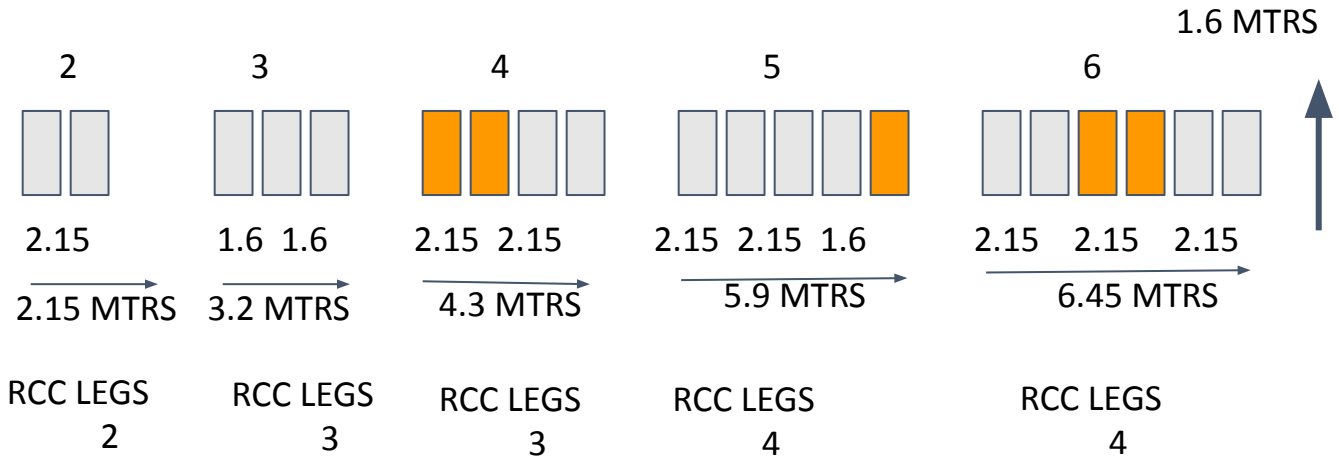
ELEVATED ROOF



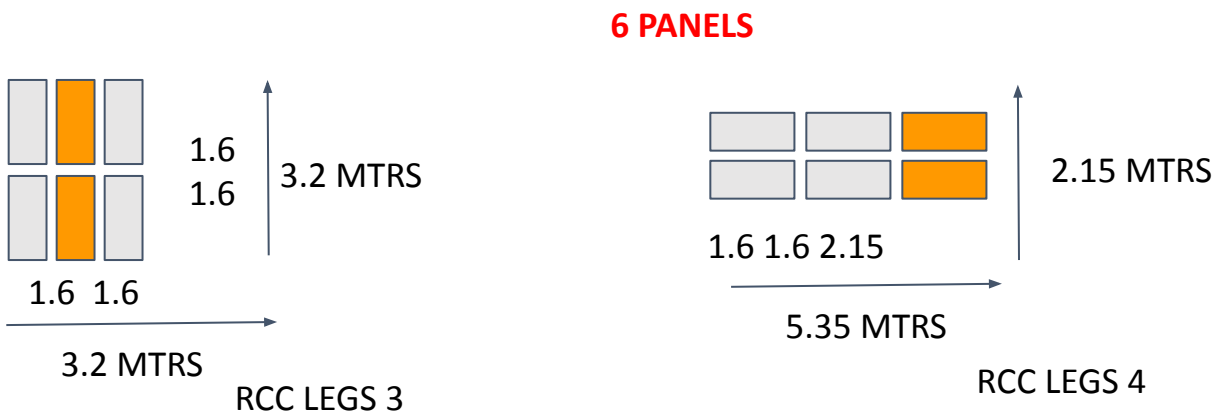
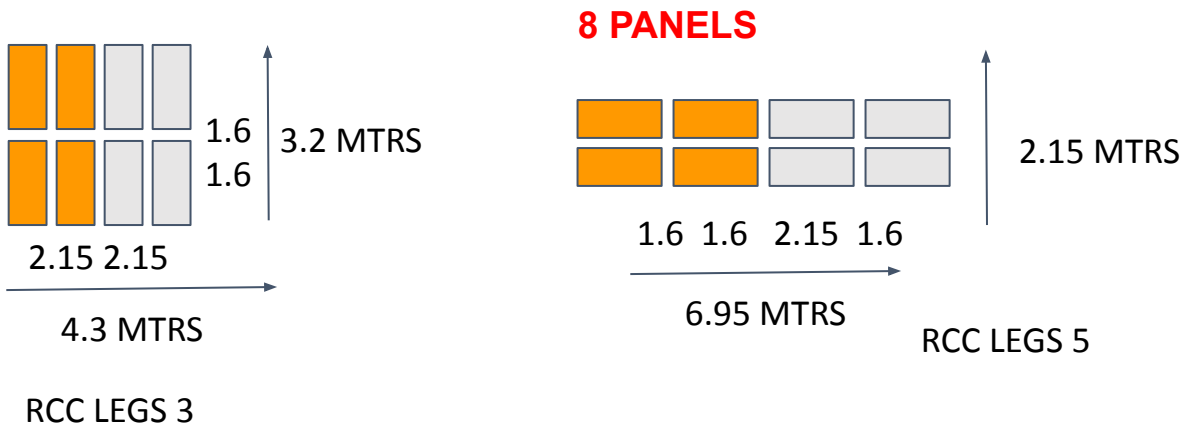
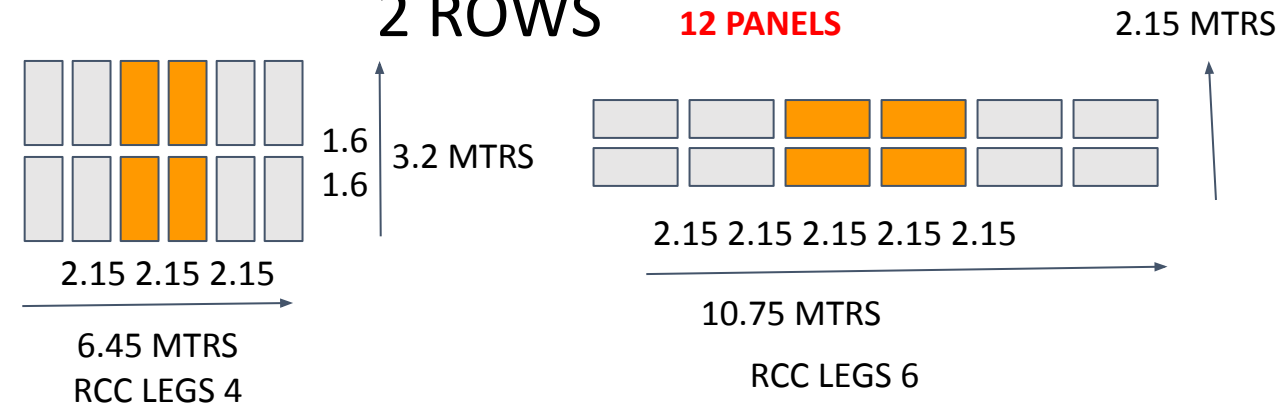
PANEL CONFIGURATIONS **RCC ROOF**

60 CELLS 1690X990 mm

1 ROW

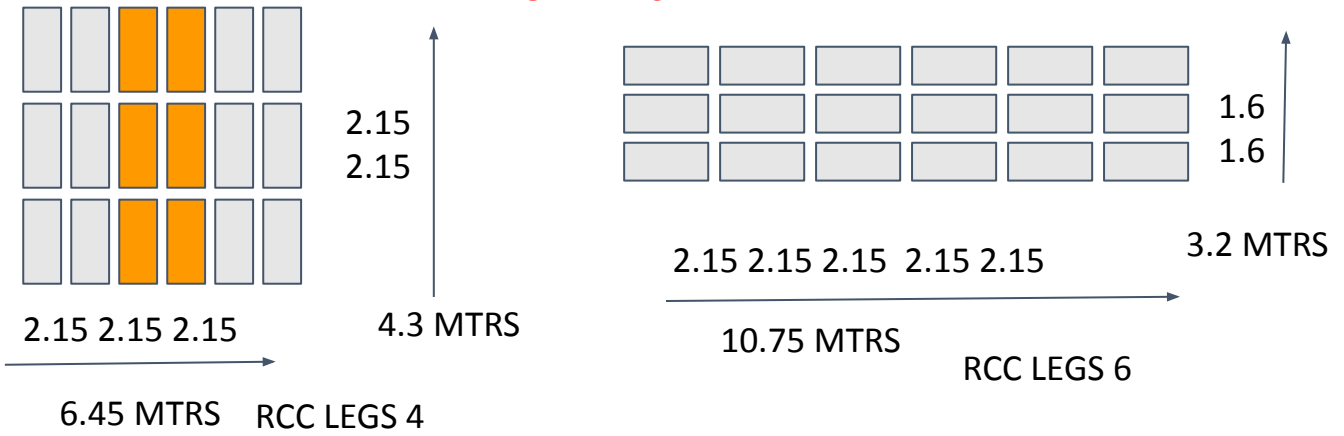


2 ROWS

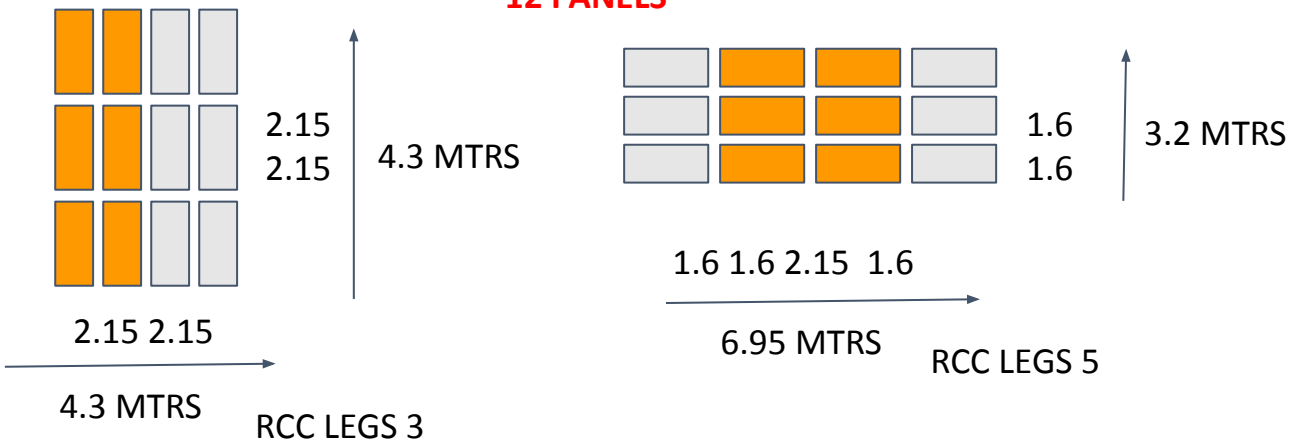


60 CELLS 1690X990 mm

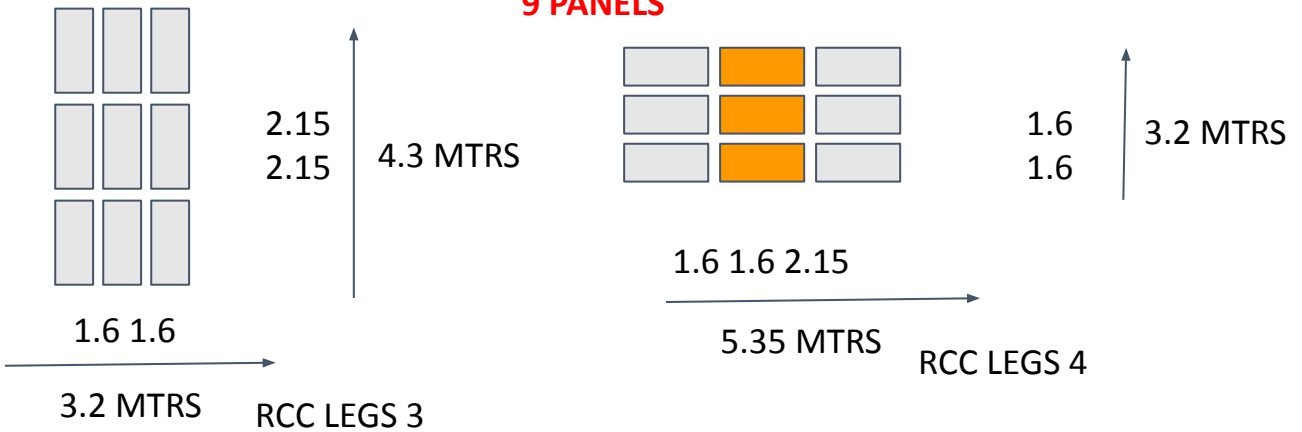
18 PANELS **3 ROWS**



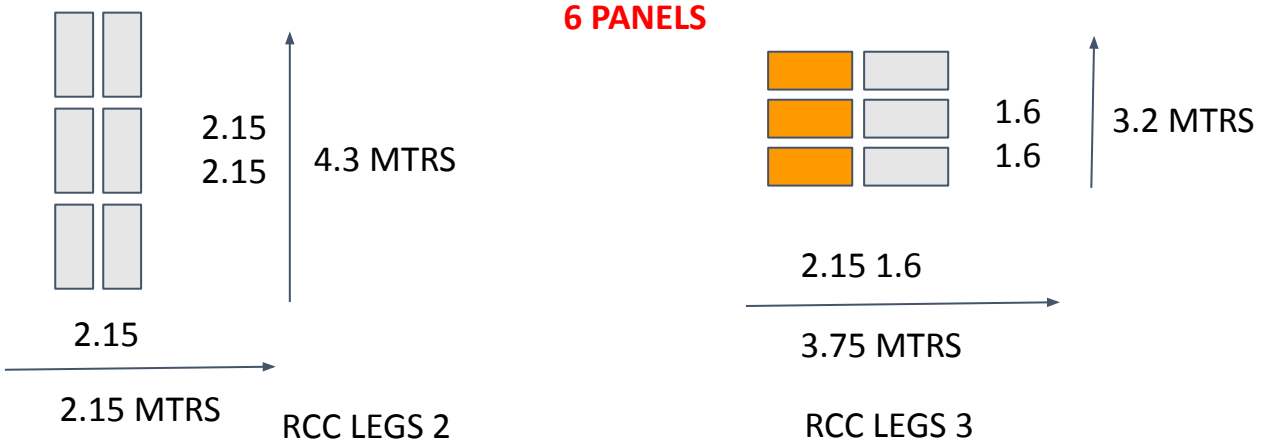
12 PANELS



9 PANELS



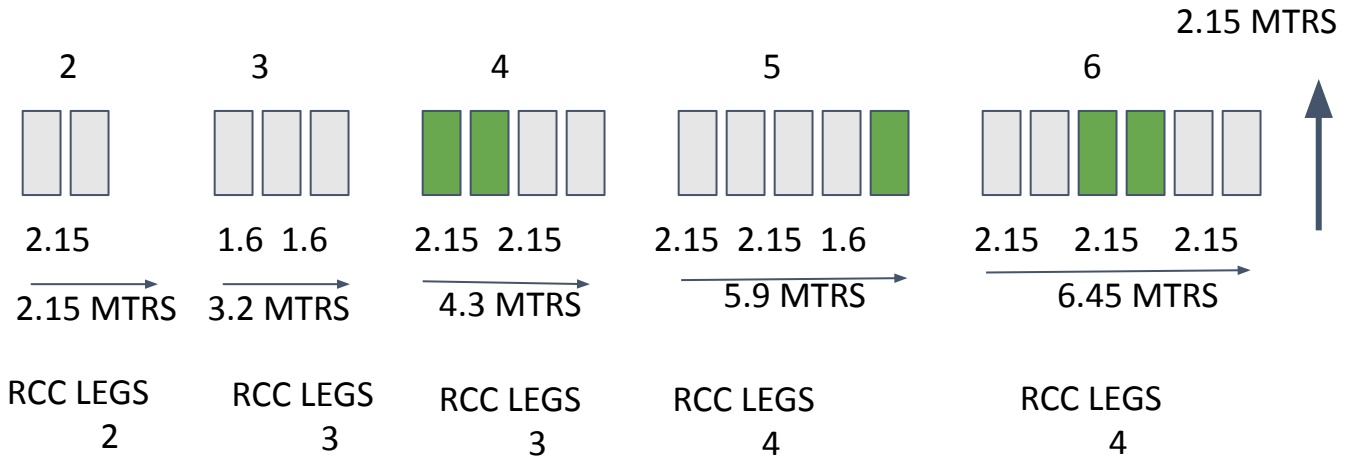
6 PANELS



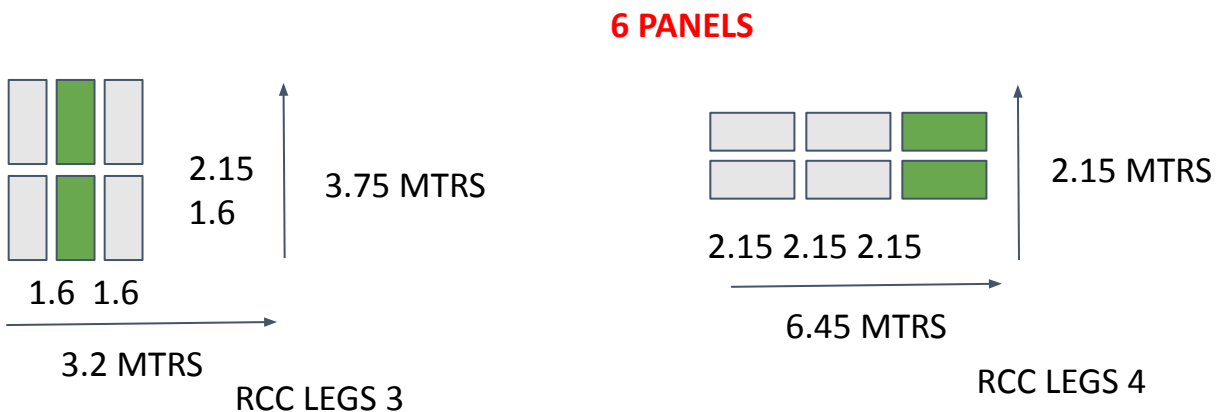
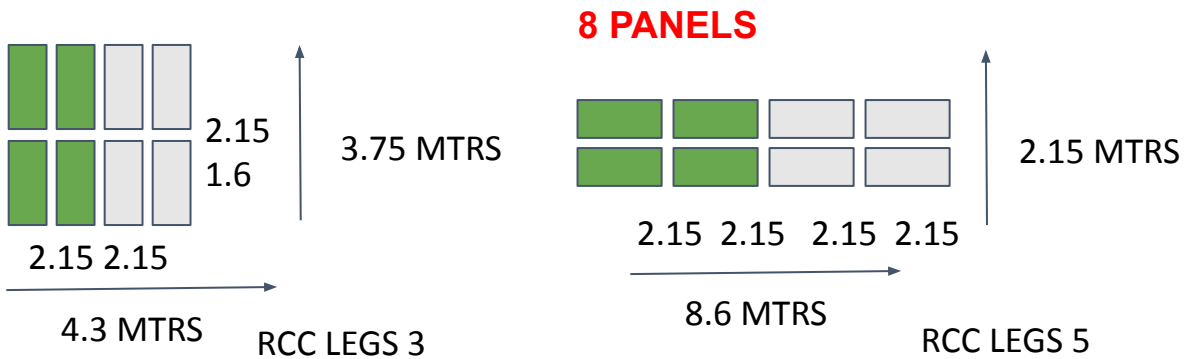
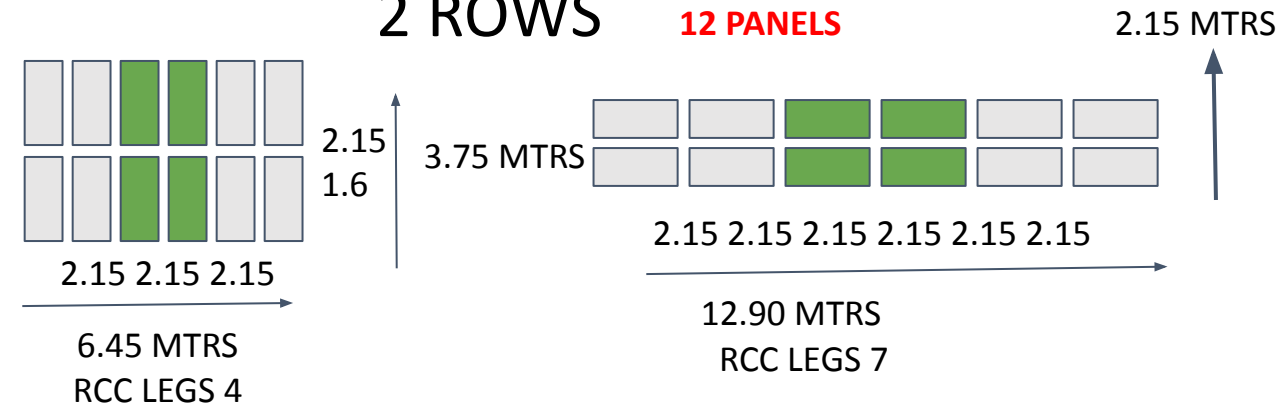
PANEL CONFIGURATIONS **RCC ROOF**

72 CELLS 1960X990 mm

1 ROW



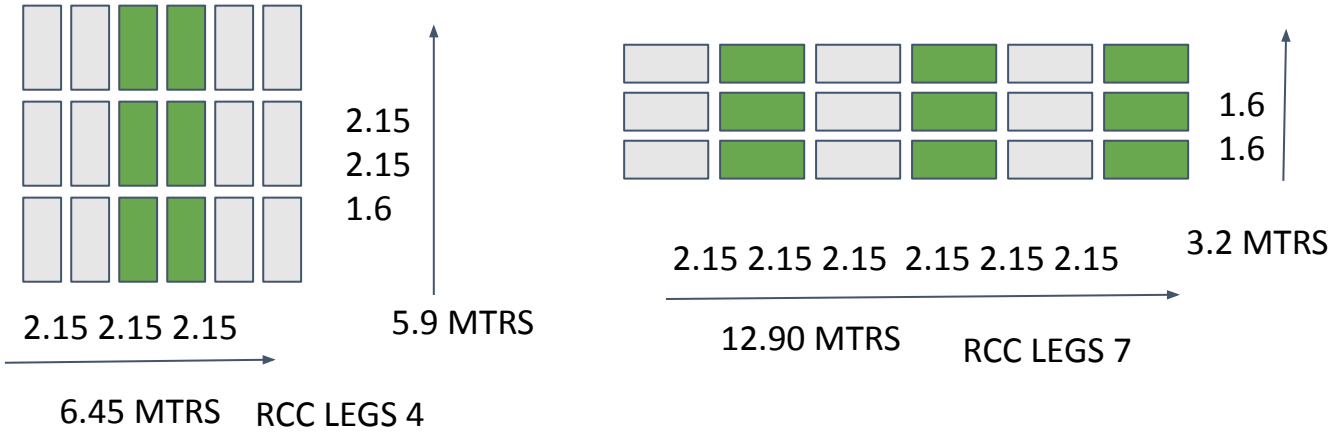
2 ROWS



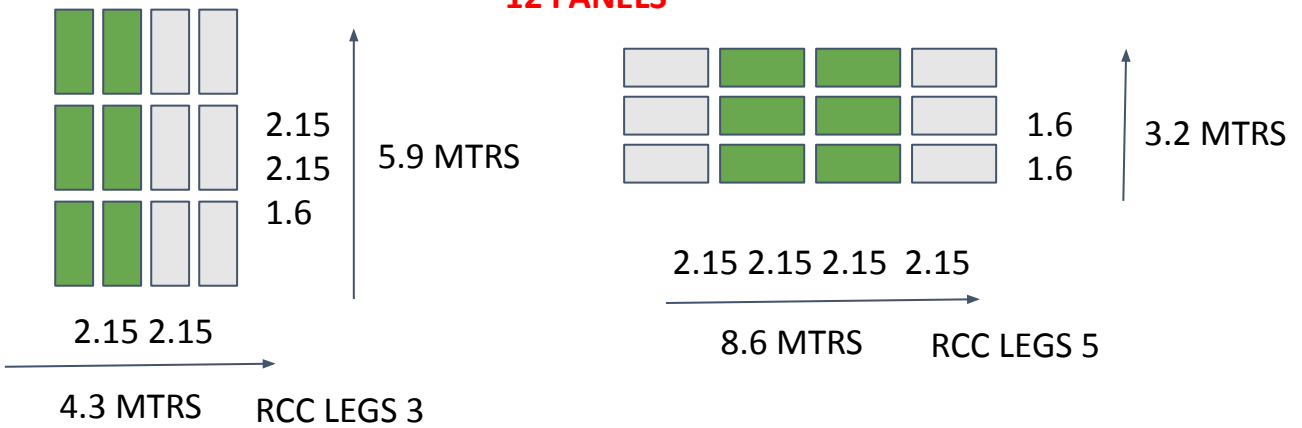
72 CELLS 1960X990 mm

18 PANELS

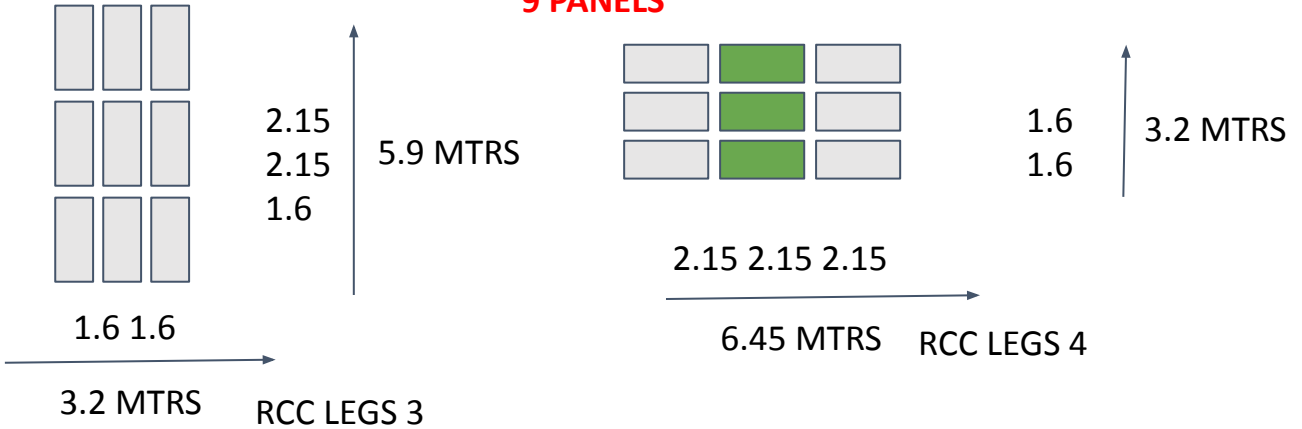
3 ROWS



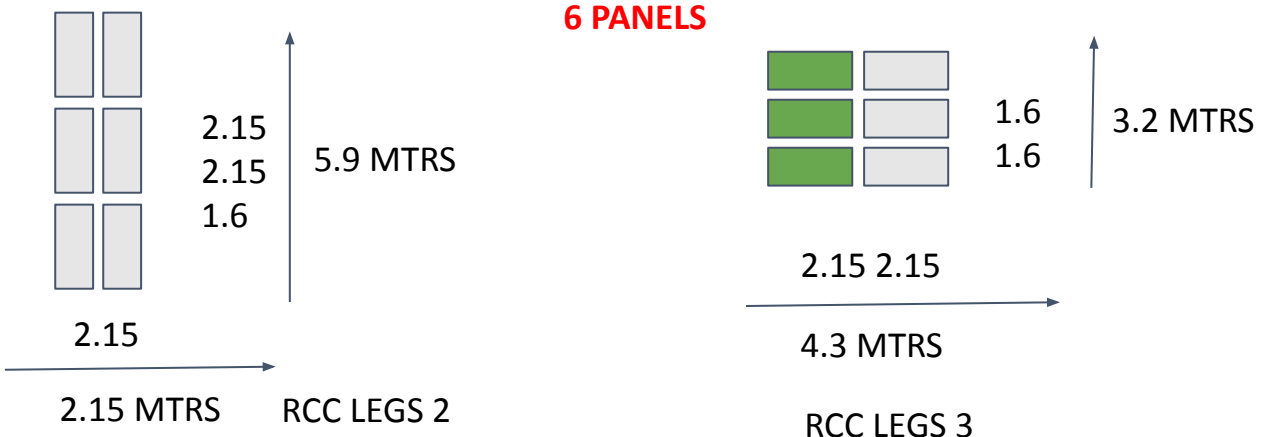
12 PANELS



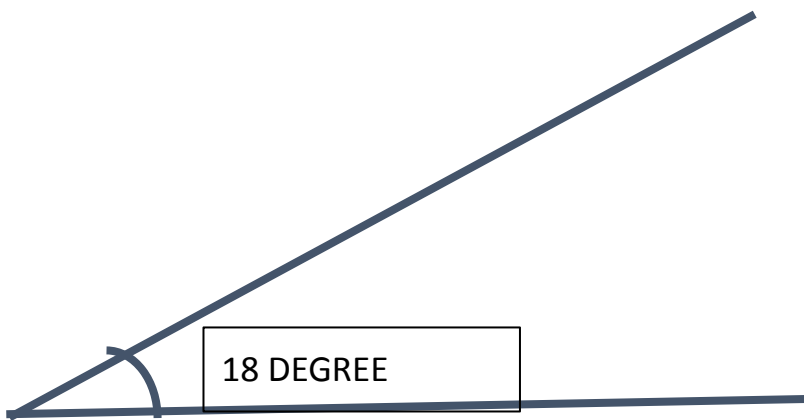
9 PANELS



6 PANELS



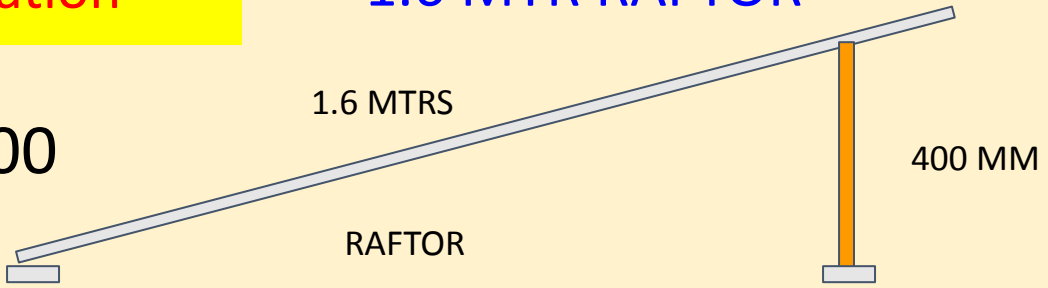
18 DEGREE ELEVATION



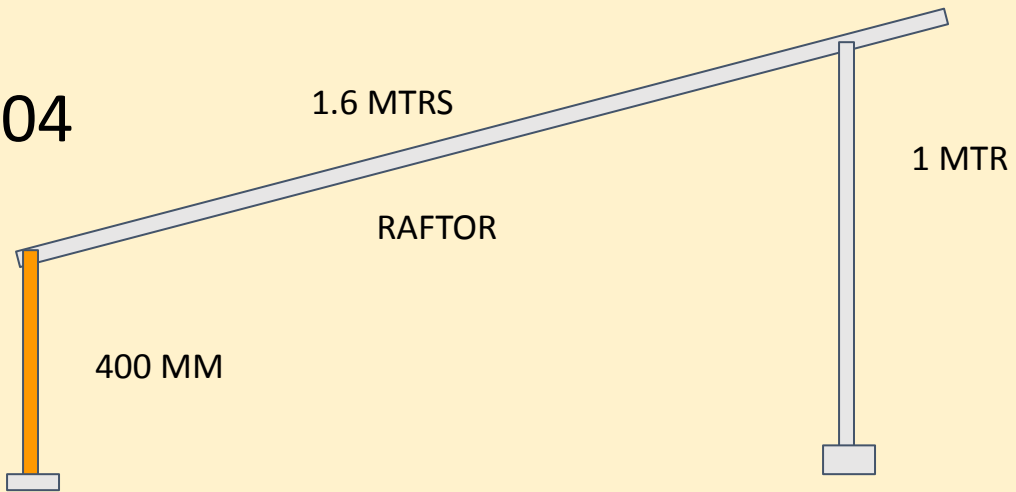
18 Degree
Elevation

RCC LEG SETS 1.6 MTR RAFTOR

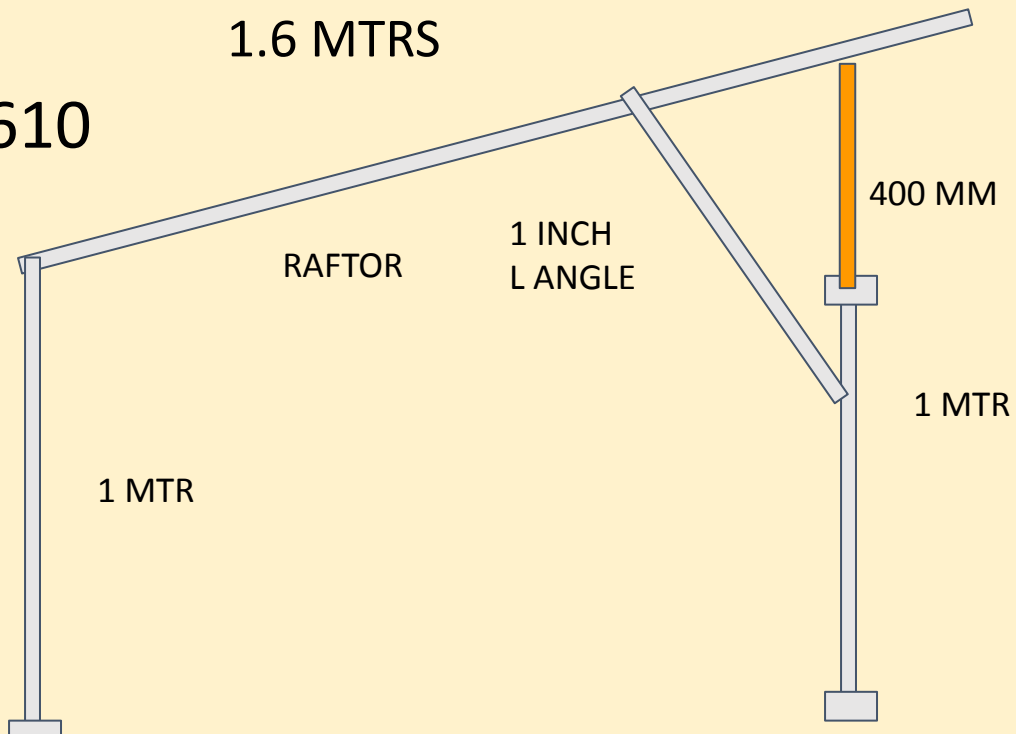
1600



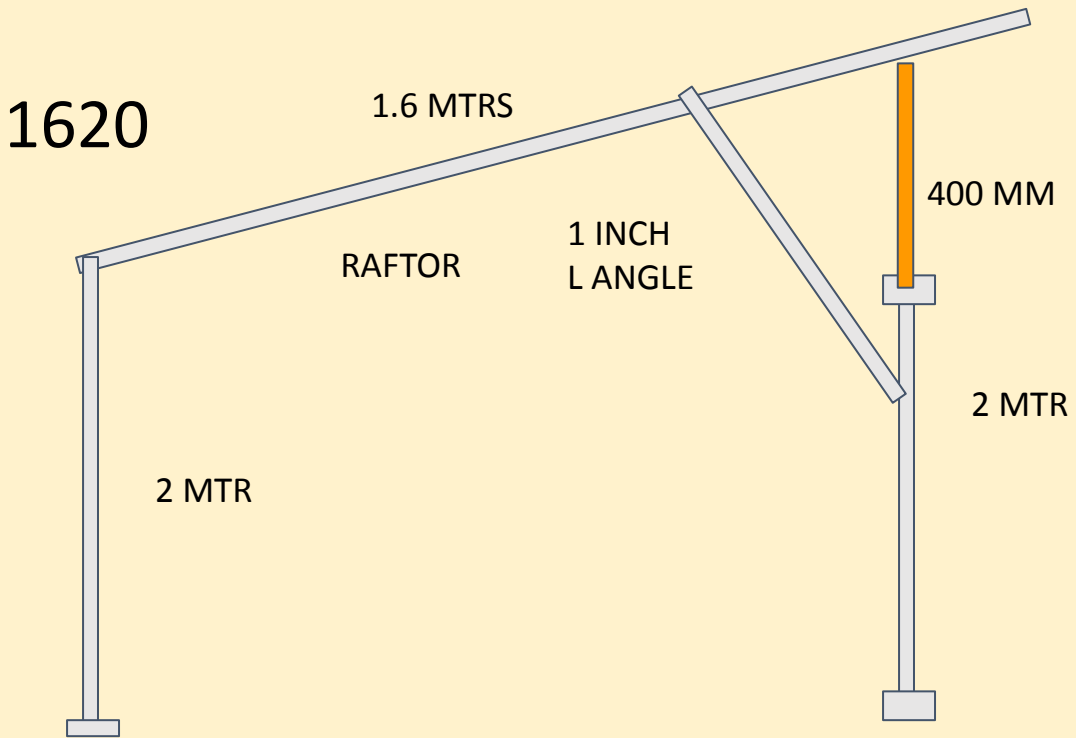
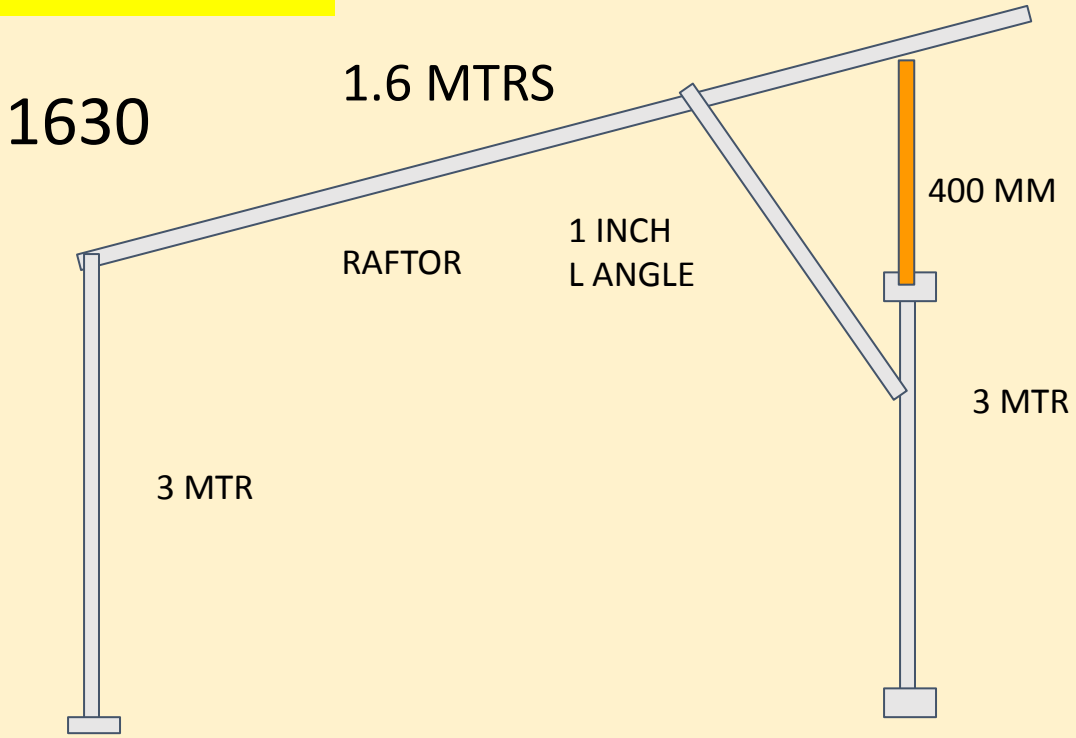
1604



1610



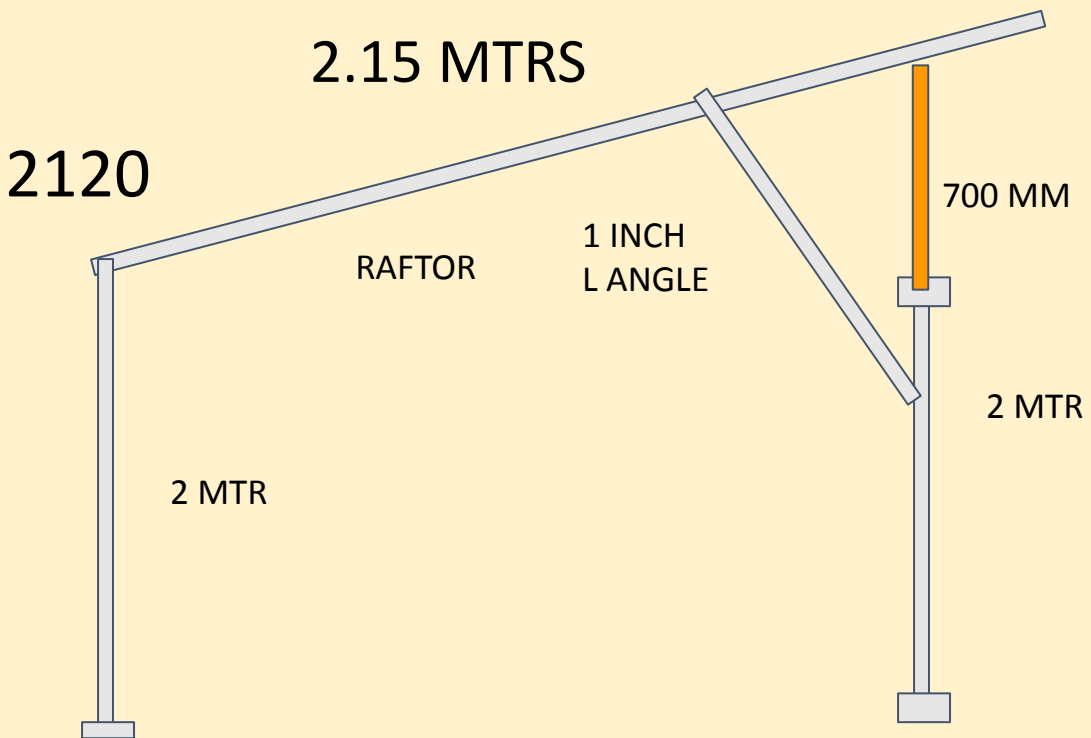
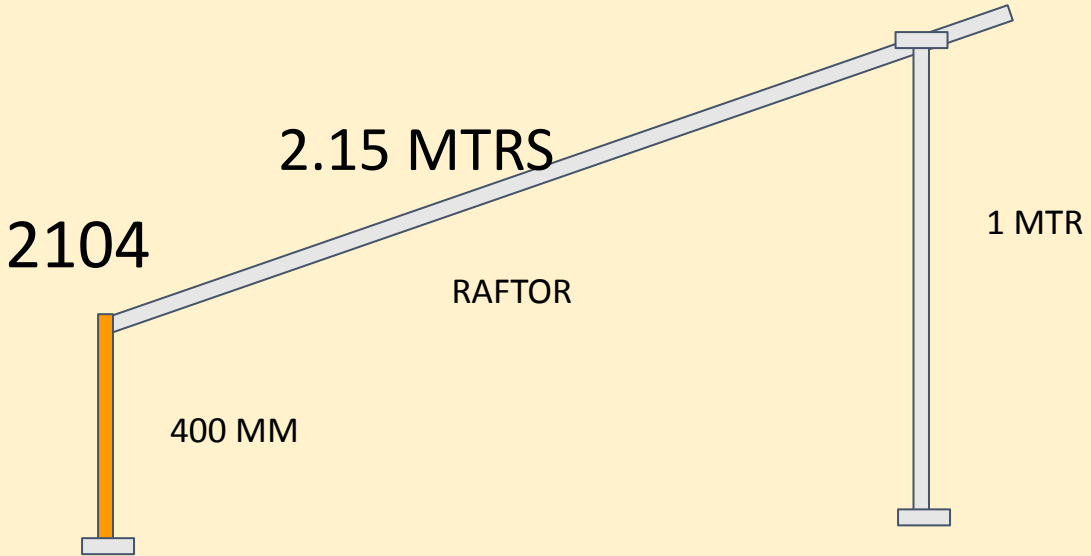
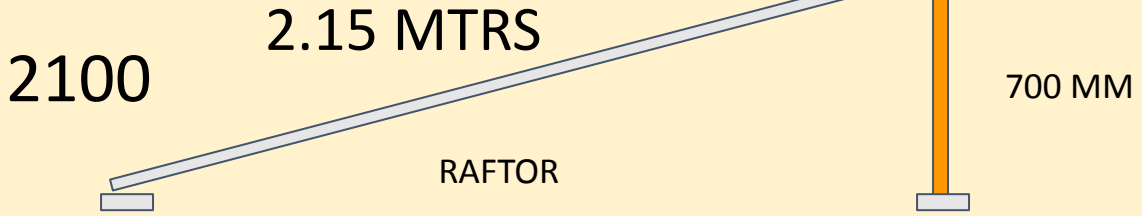
18 Degree
Elevation



18 Degree
Elevation

RCC LEG SETS

2.15 MTR RAFTOR



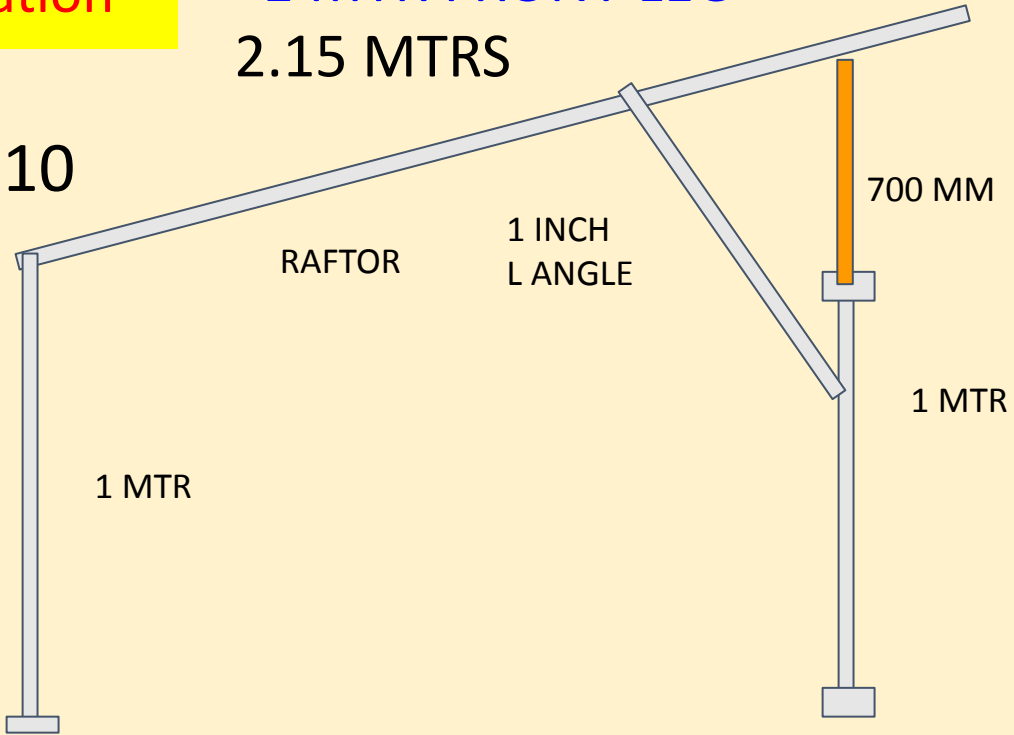
18 Degree
Elevation

RCC LEG SETS

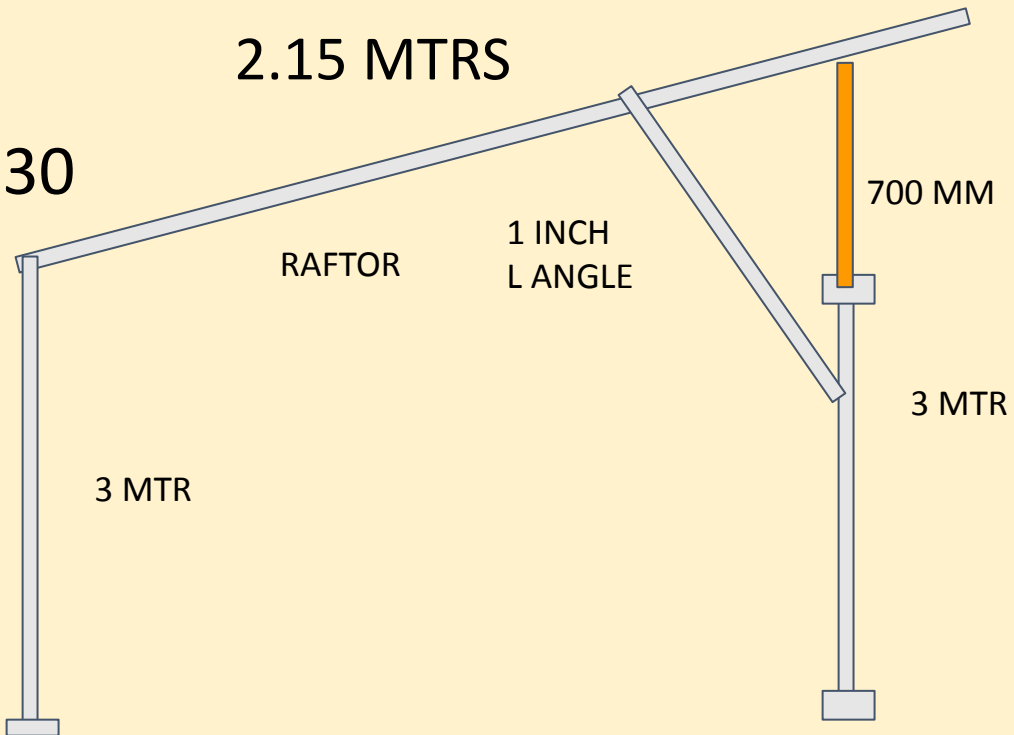
1 MTR FRONT LEG

2.15 MTRS

2110

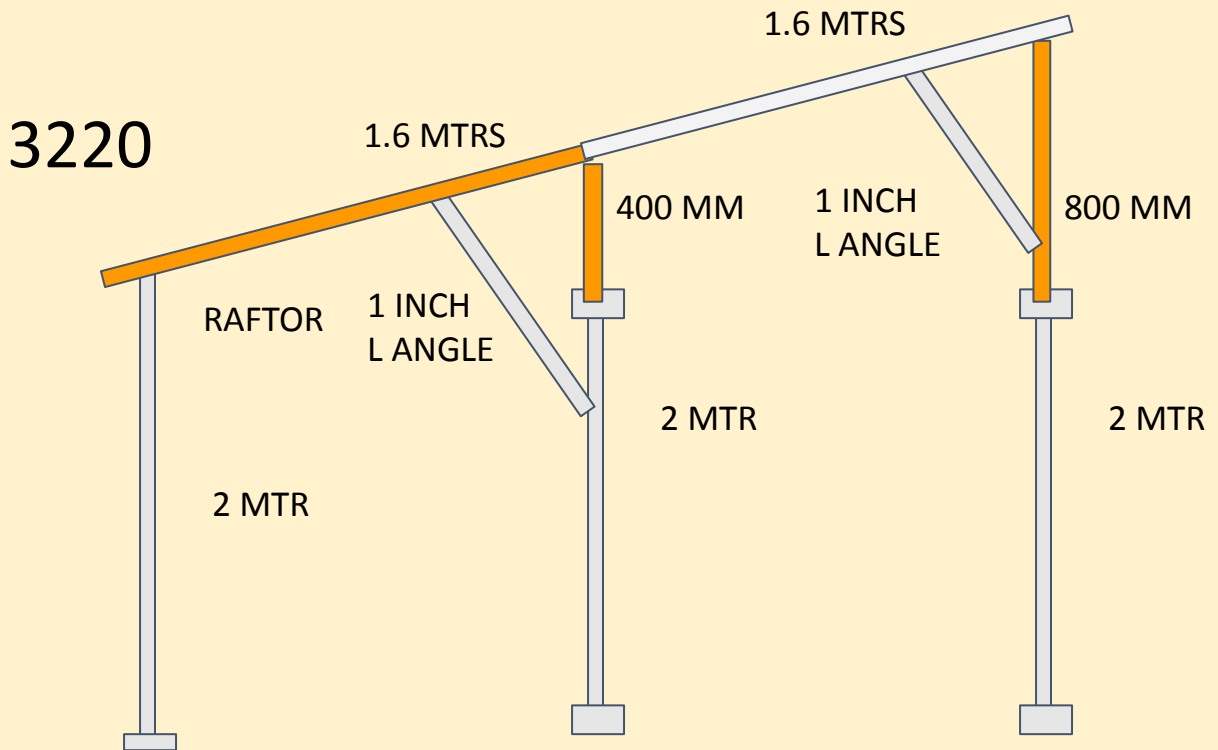
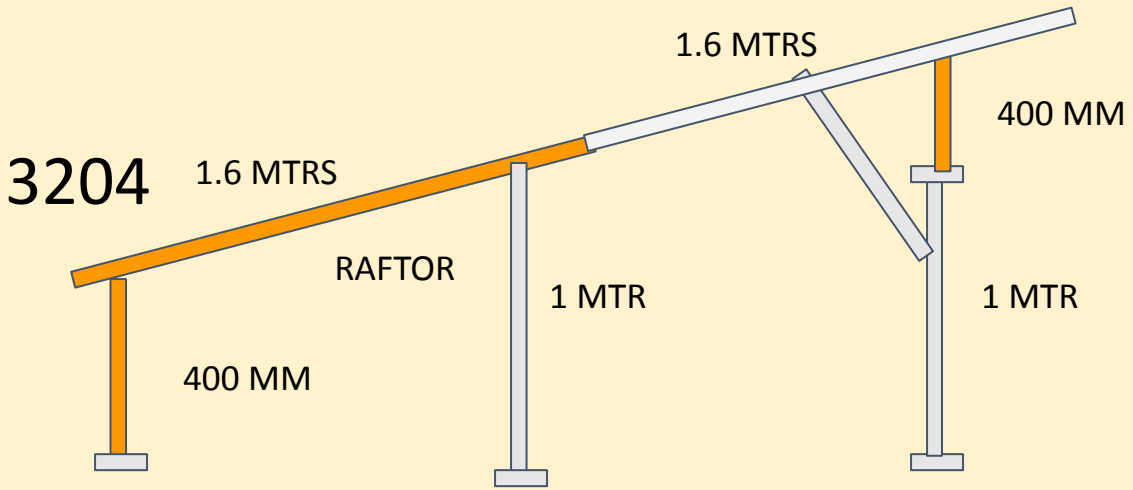
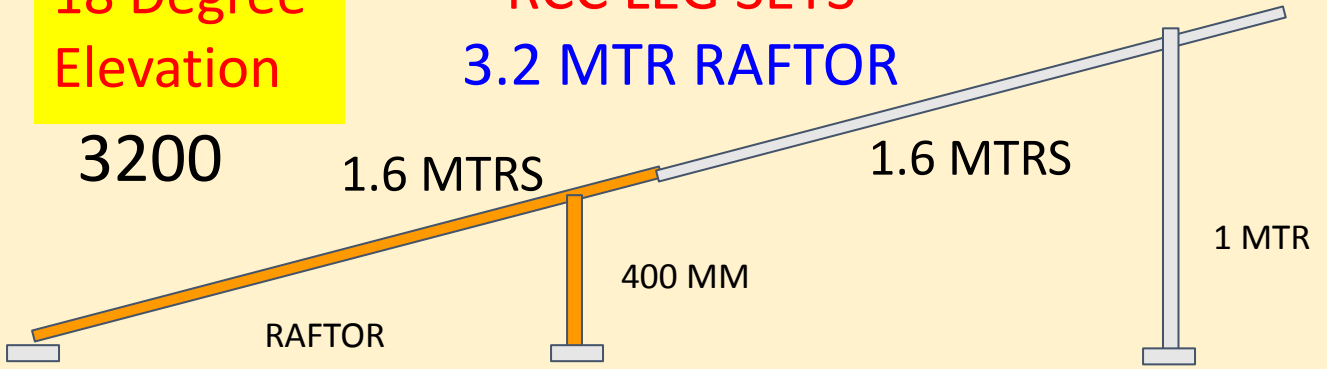


2130



18 Degree
Elevation

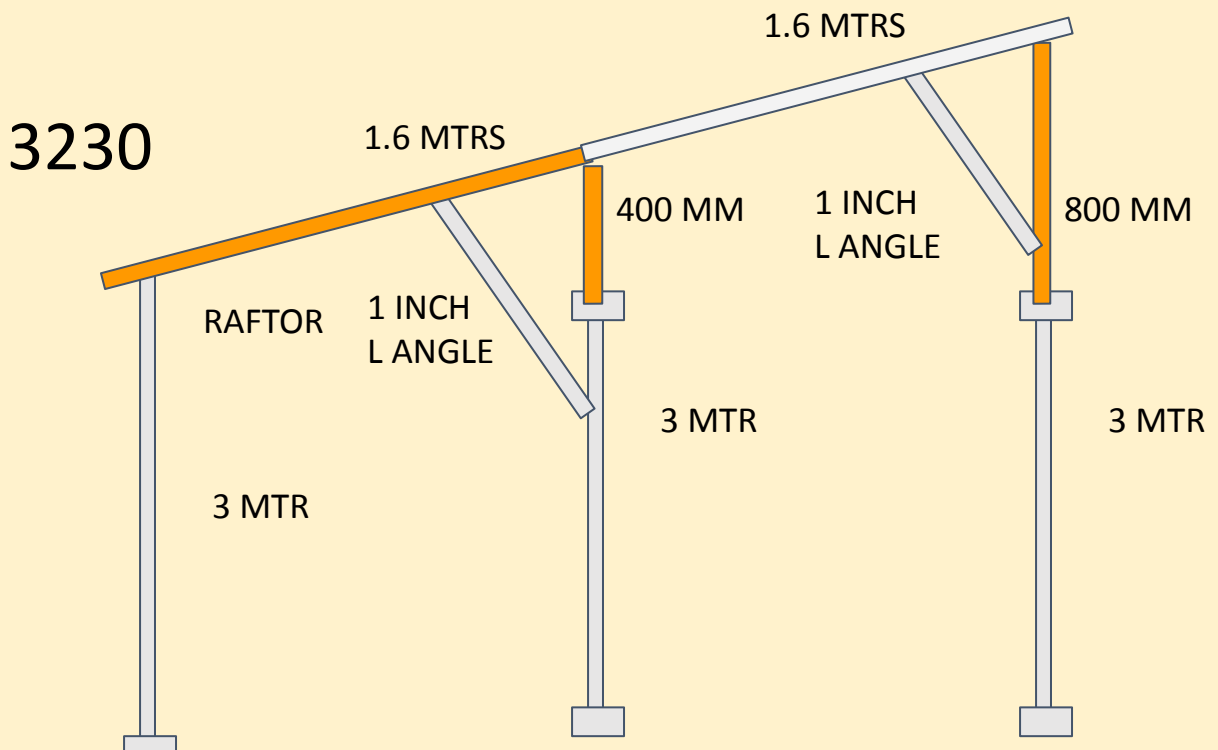
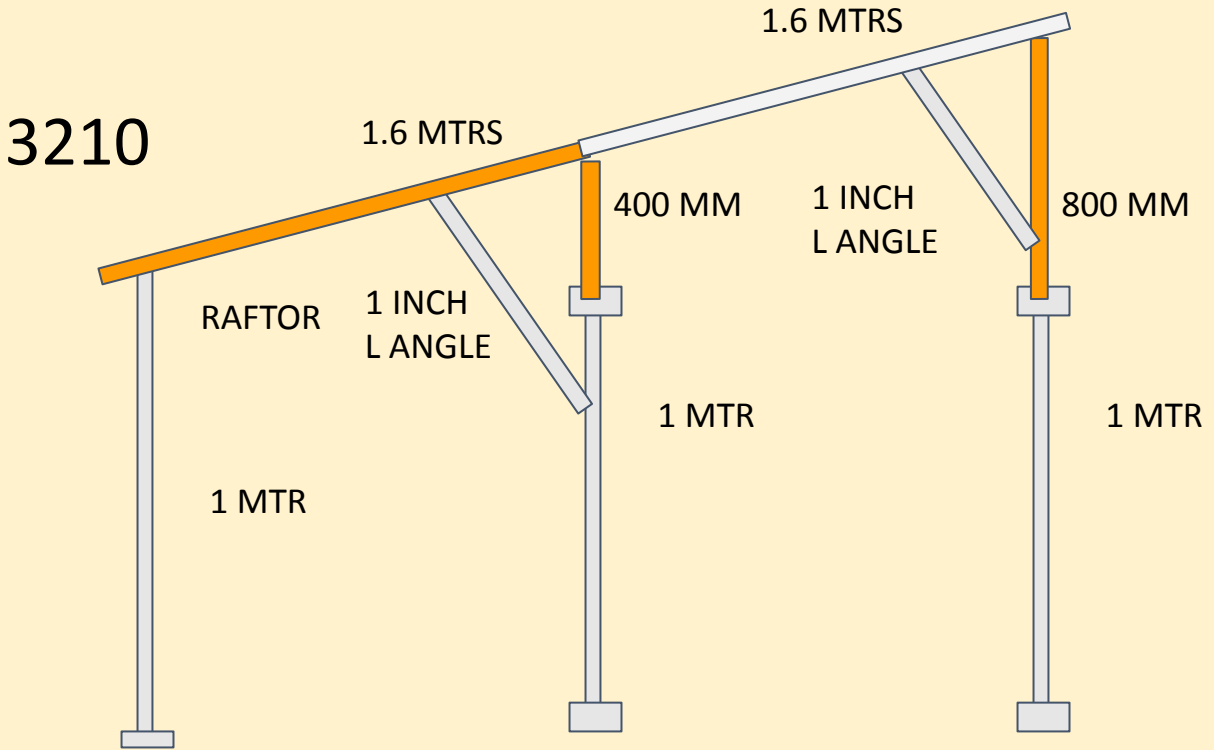
RCC LEG SETS 3.2 MTR RAFTOR



18 Degree
Elevation

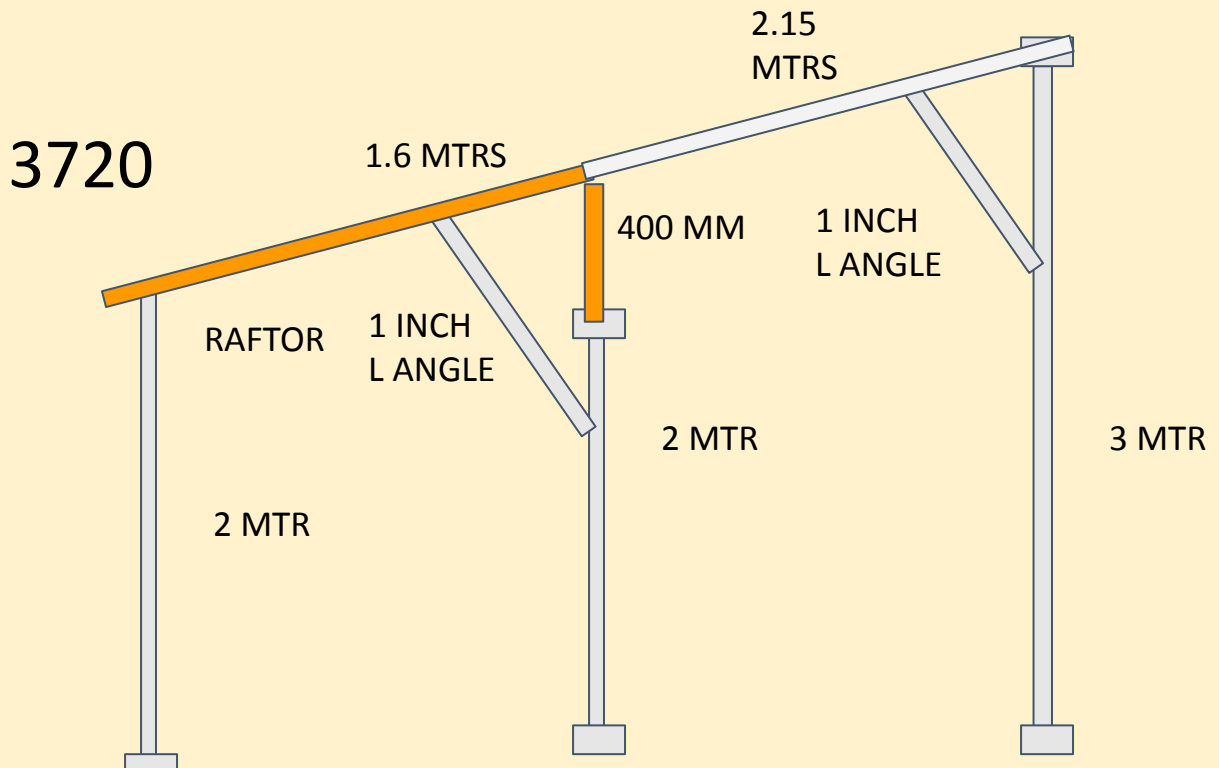
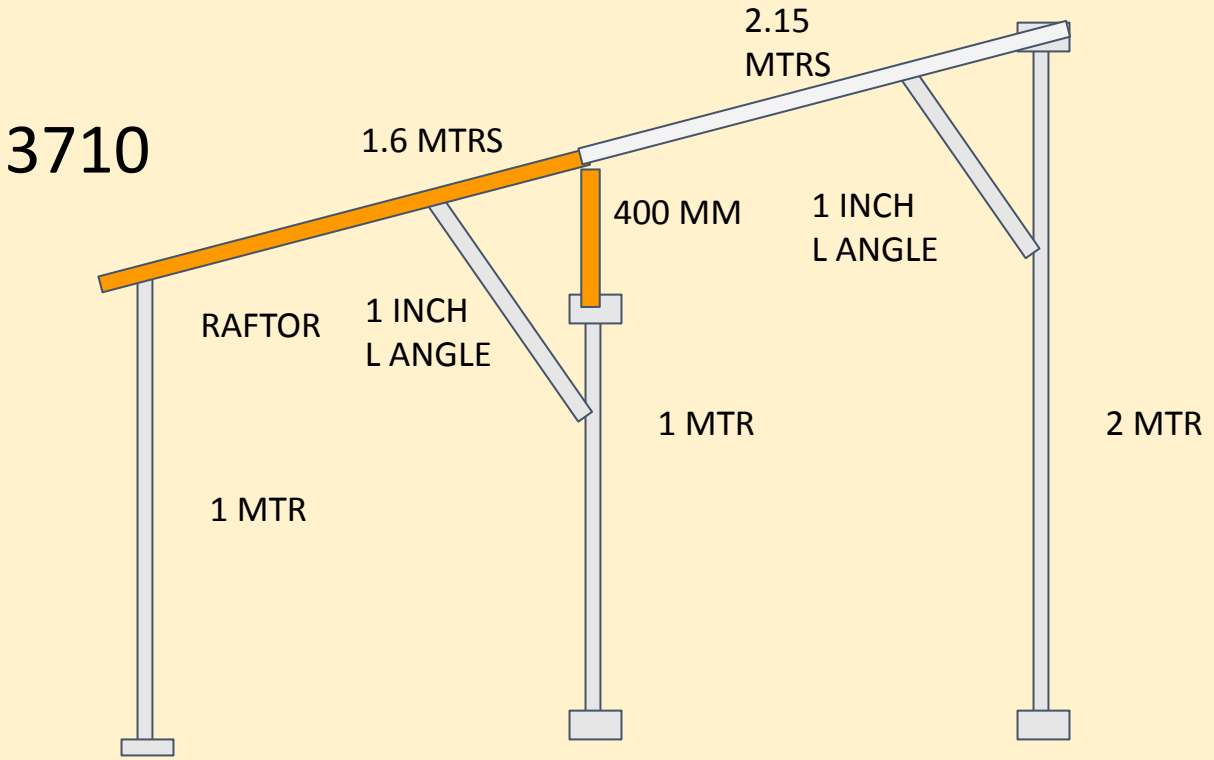
RCC LEG SETS

3.2 MTR RAFTOR



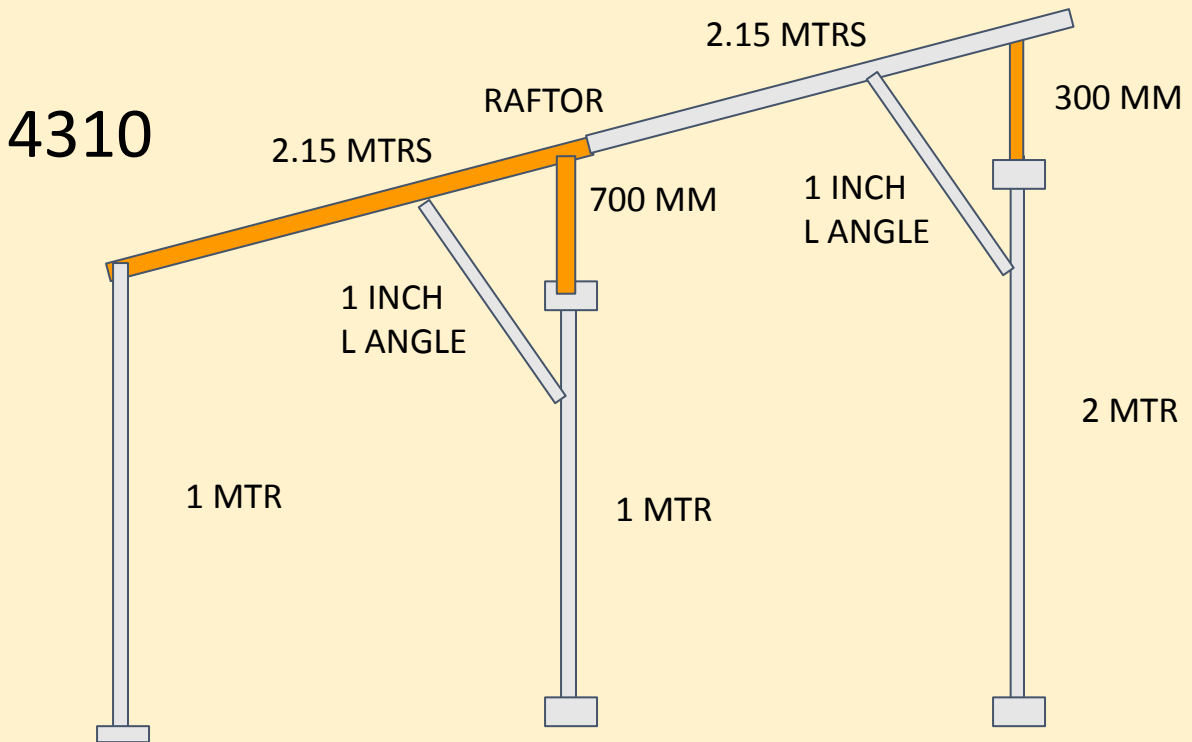
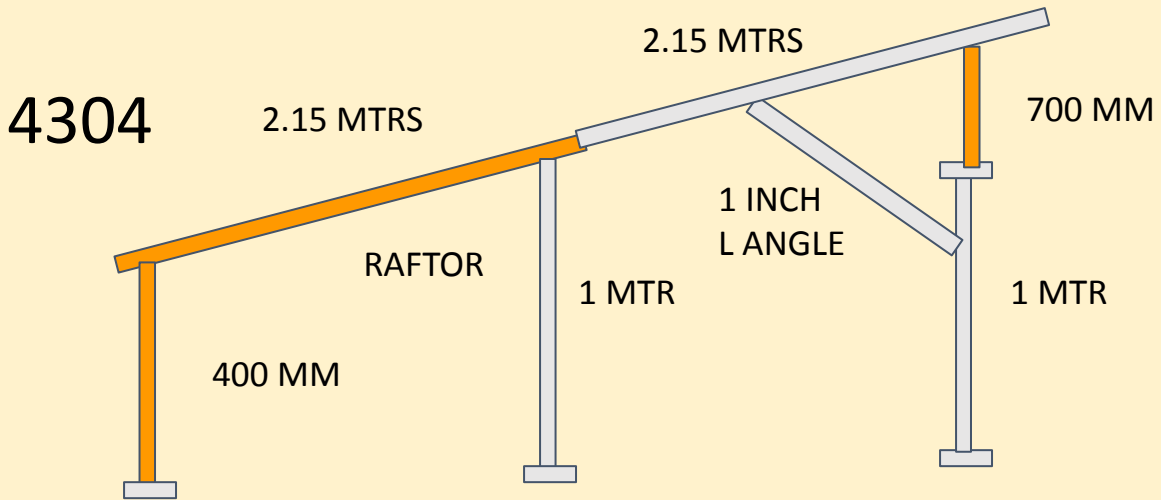
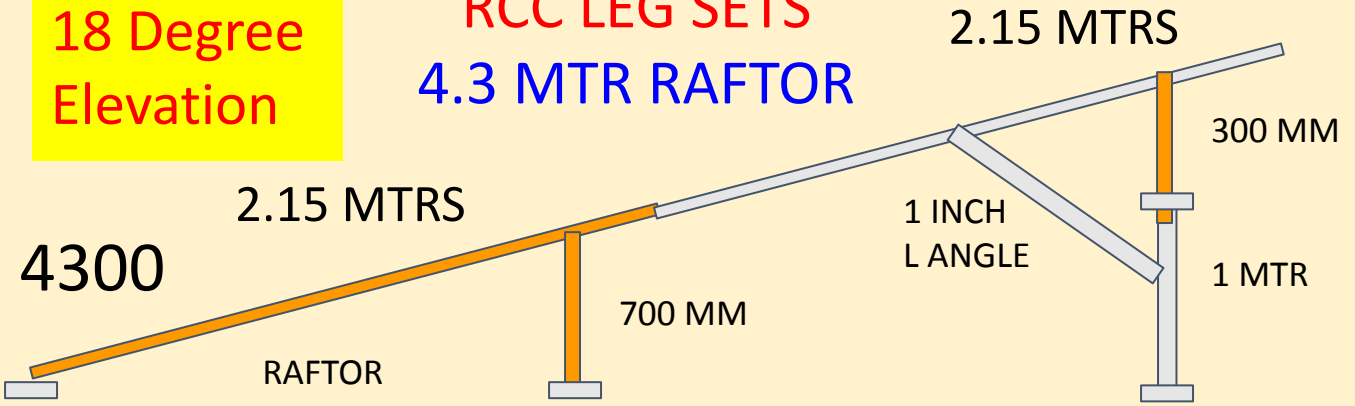
18 Degree
Elevation

RCC LEG SETS 3.75 MTR RAFTOR



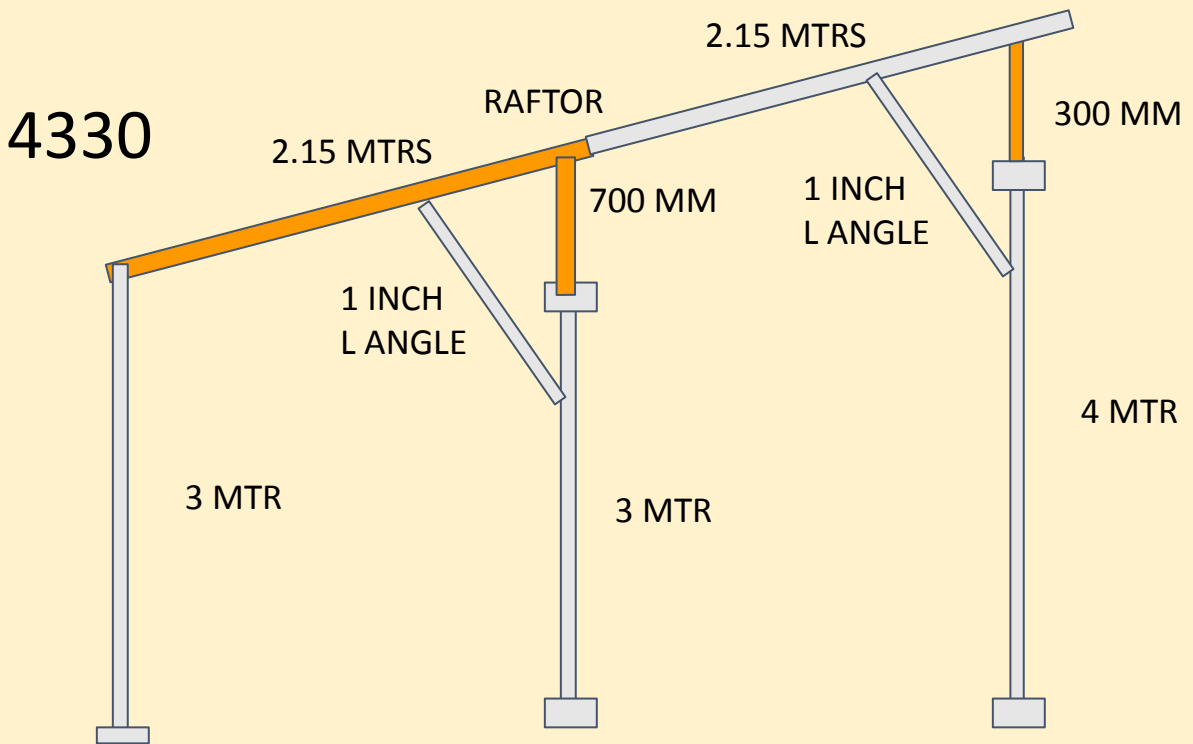
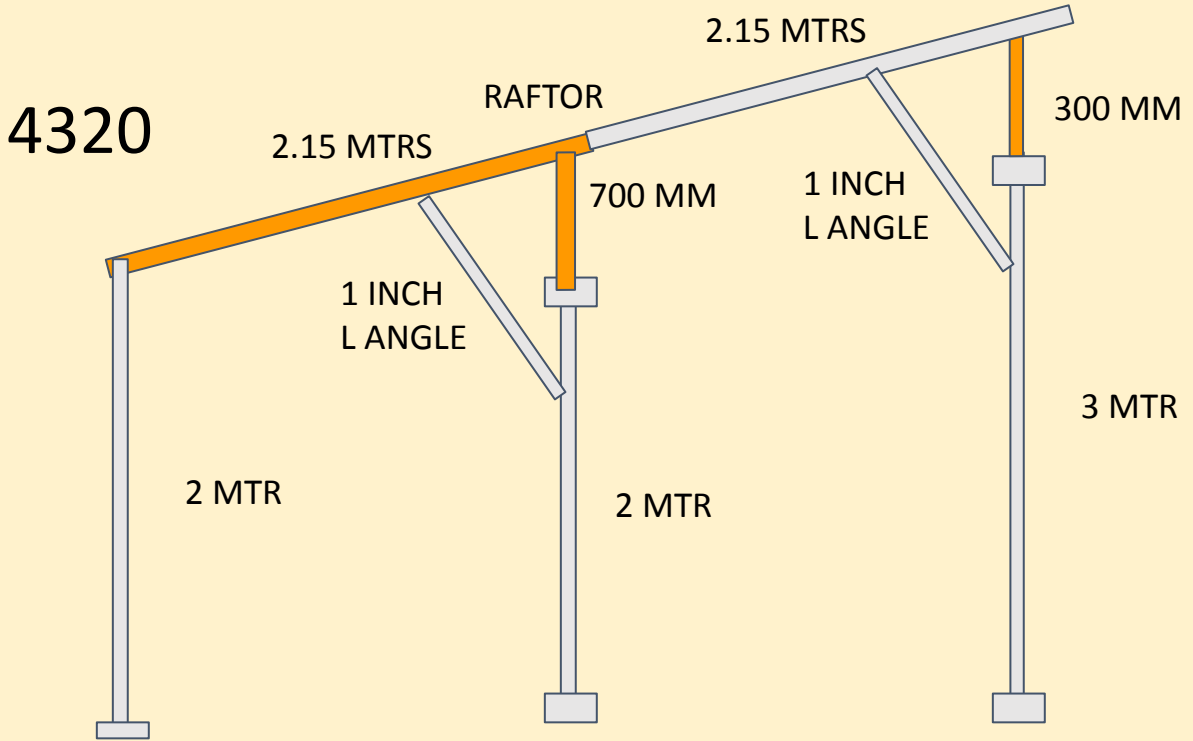
18 Degree
Elevation

RCC LEG SETS
4.3 MTR RAFTOR



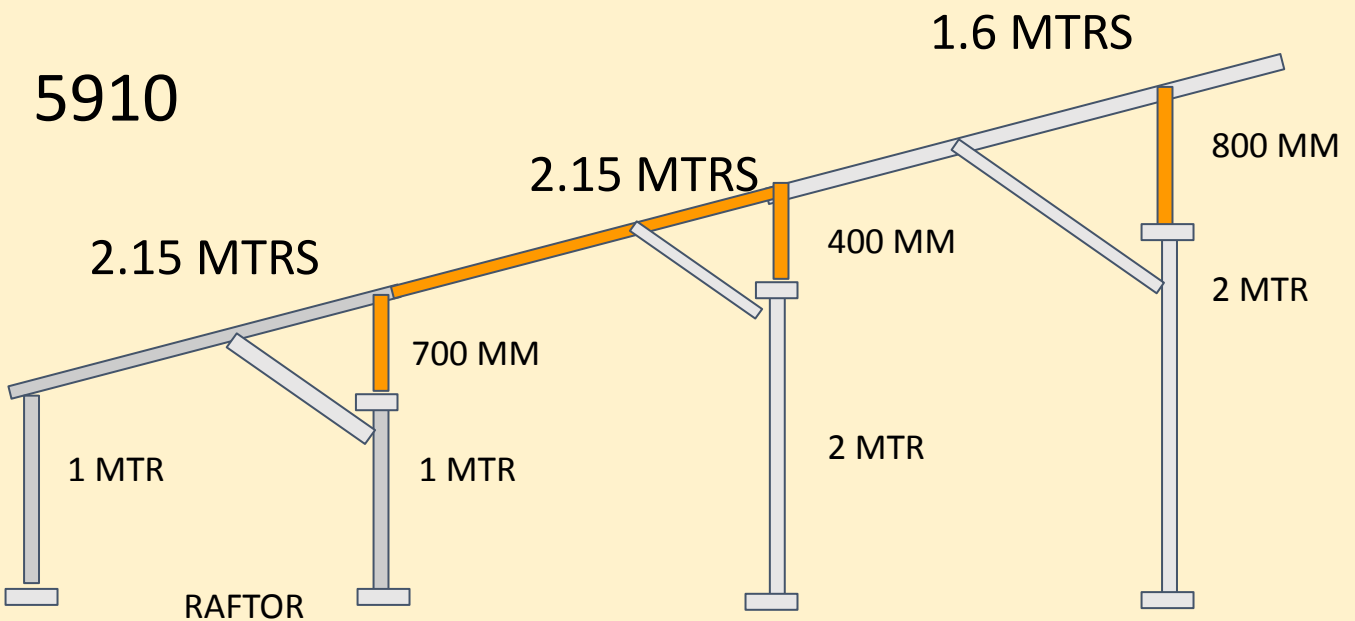
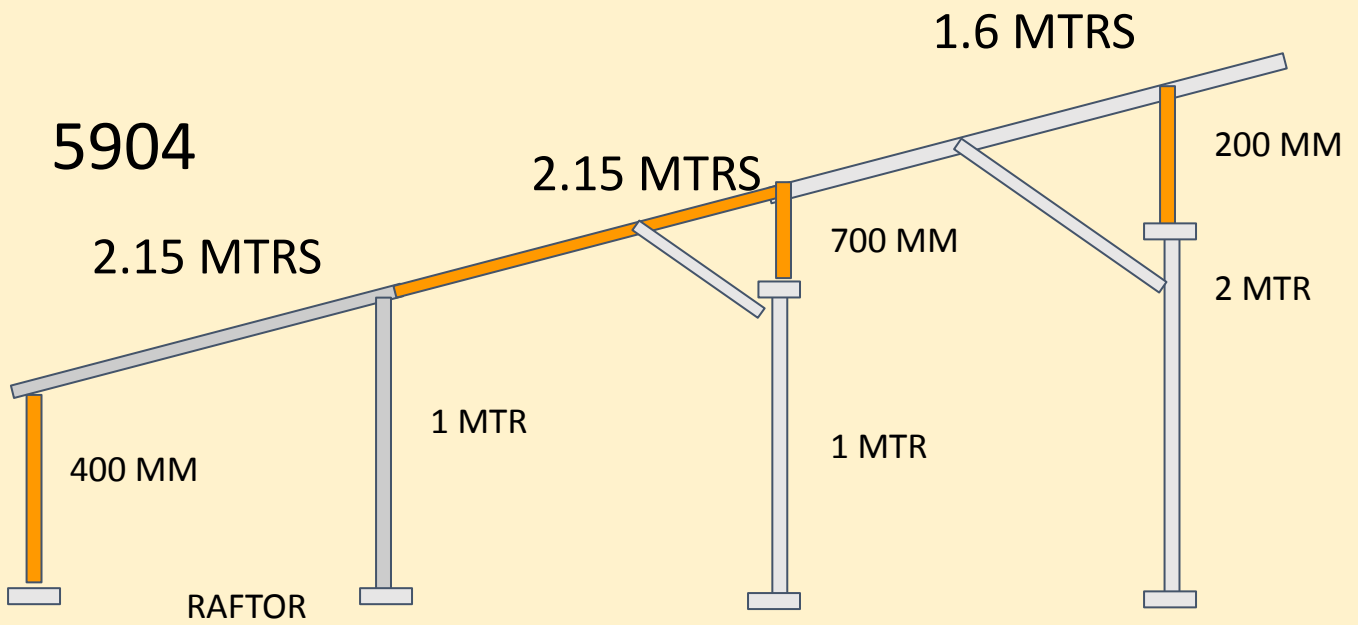
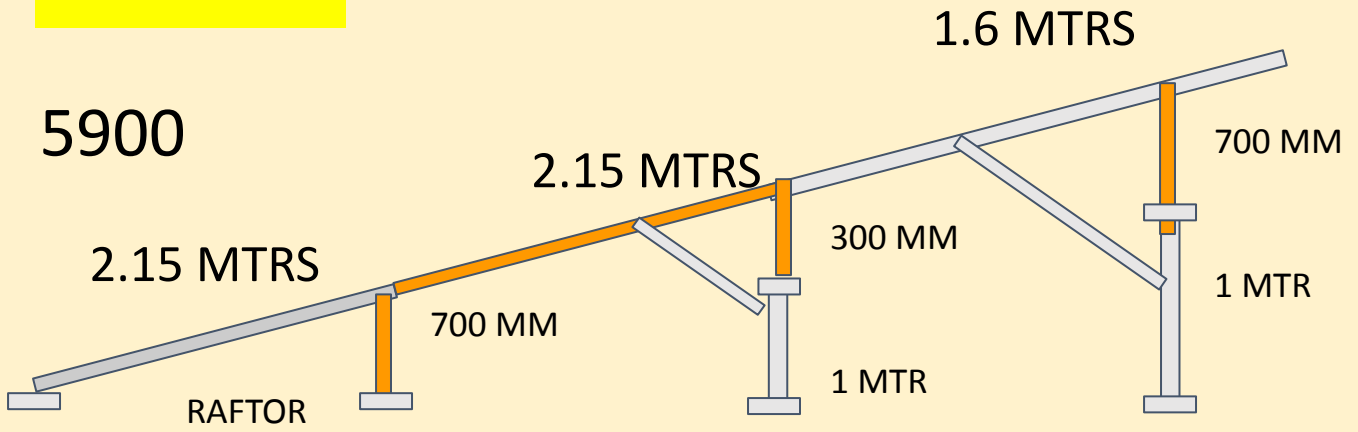
18 Degree
Elevation

RCC LEG SETS 4.3 MTR RAFTOR



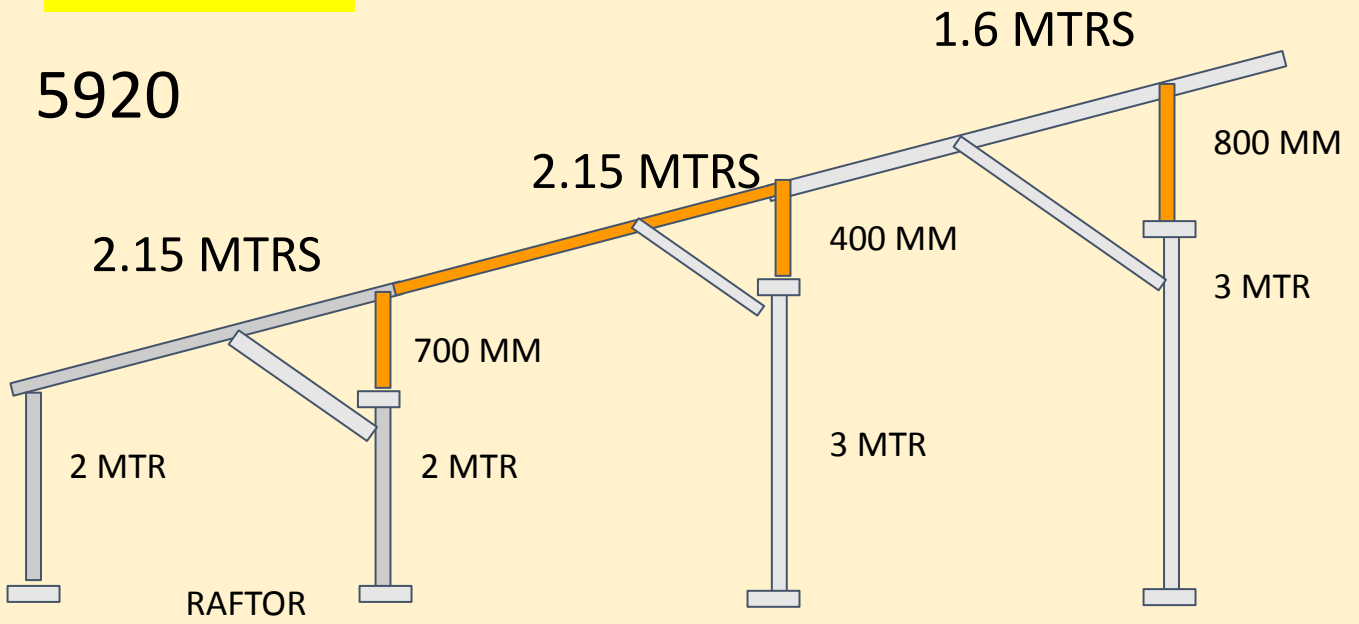
18 Degree
Elevation

RCC LEG SETS
5.9 MTR RAFTOR

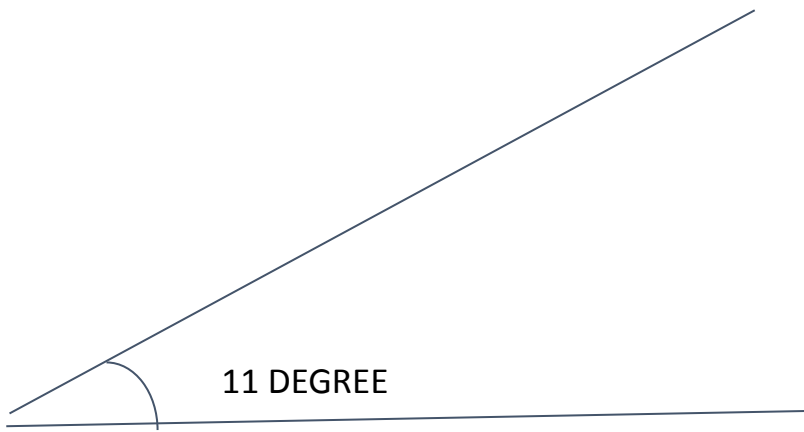


18 Degree
Elevation

RCC LEG SETS
5.9 MTR RAFTOR

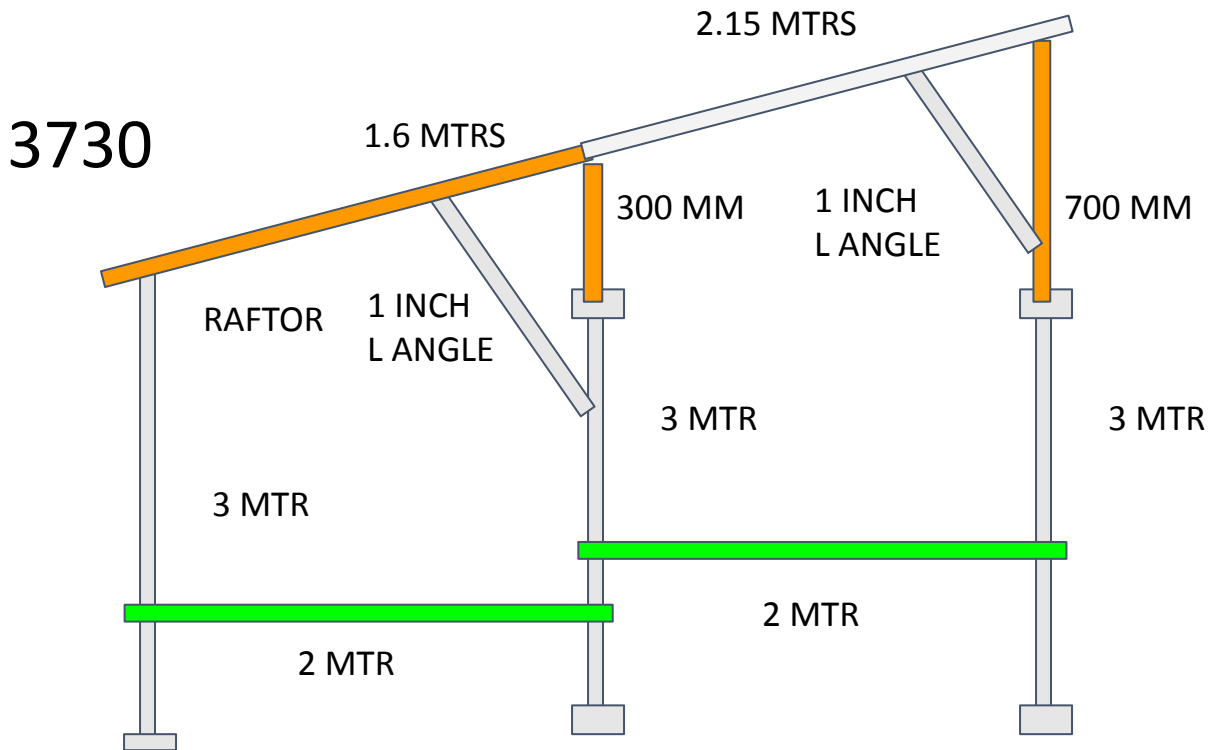
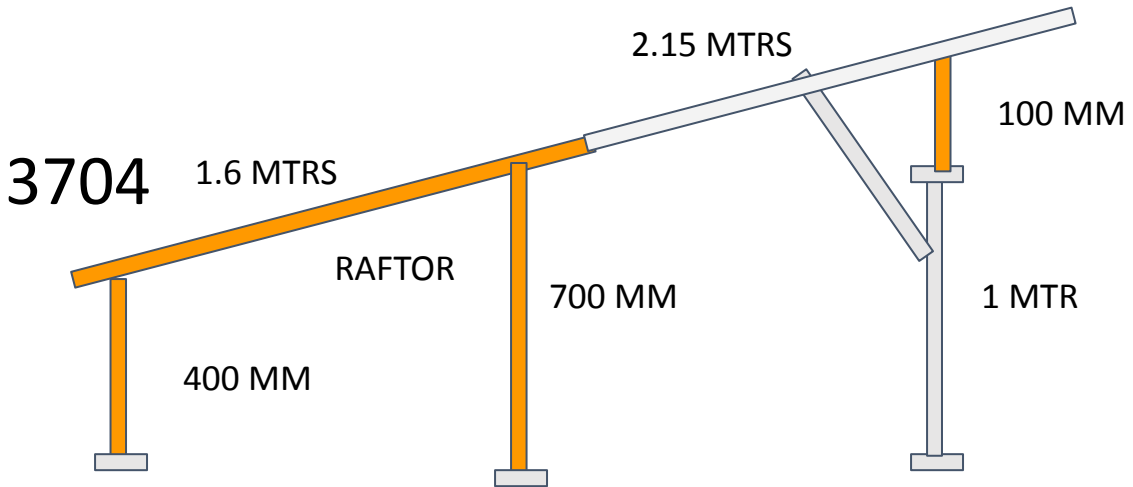
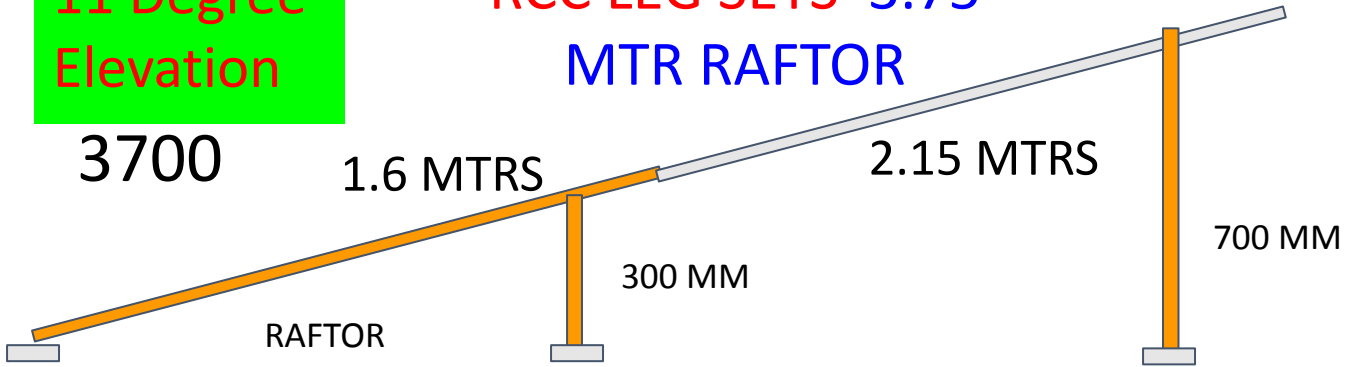


11 DEGREE ELEVATION



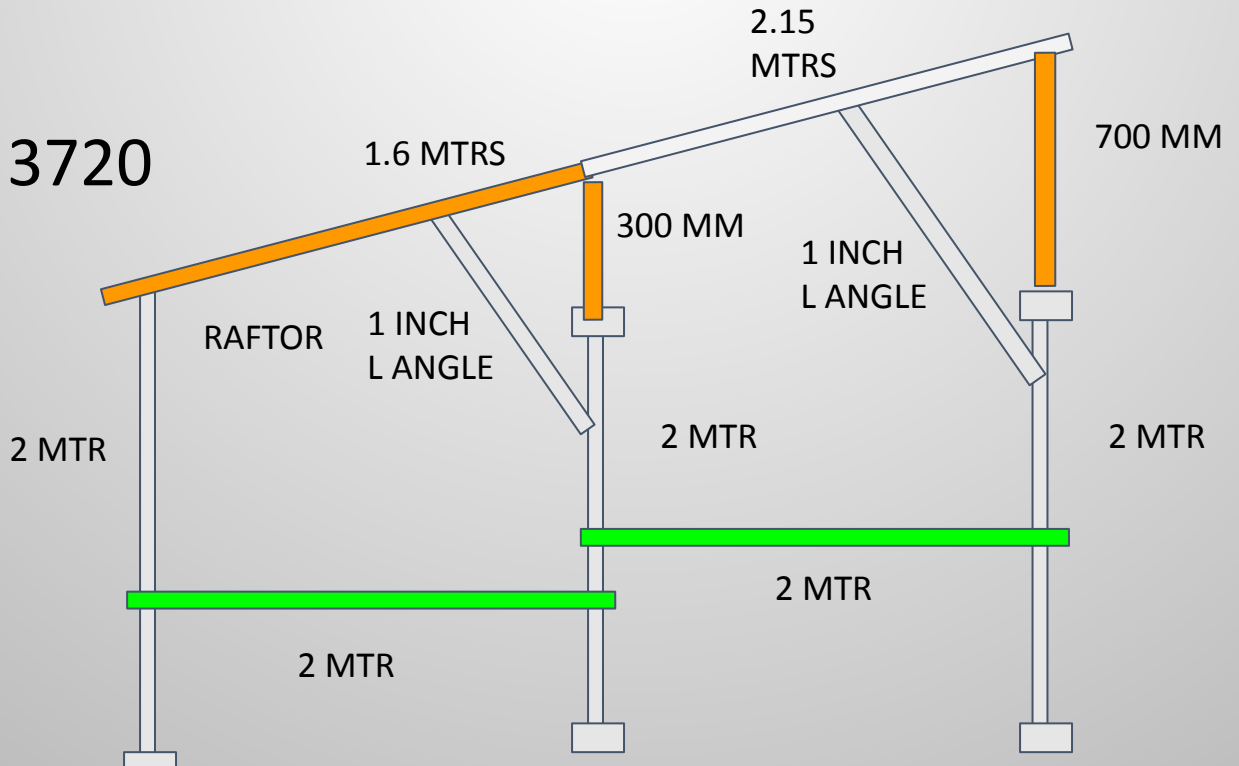
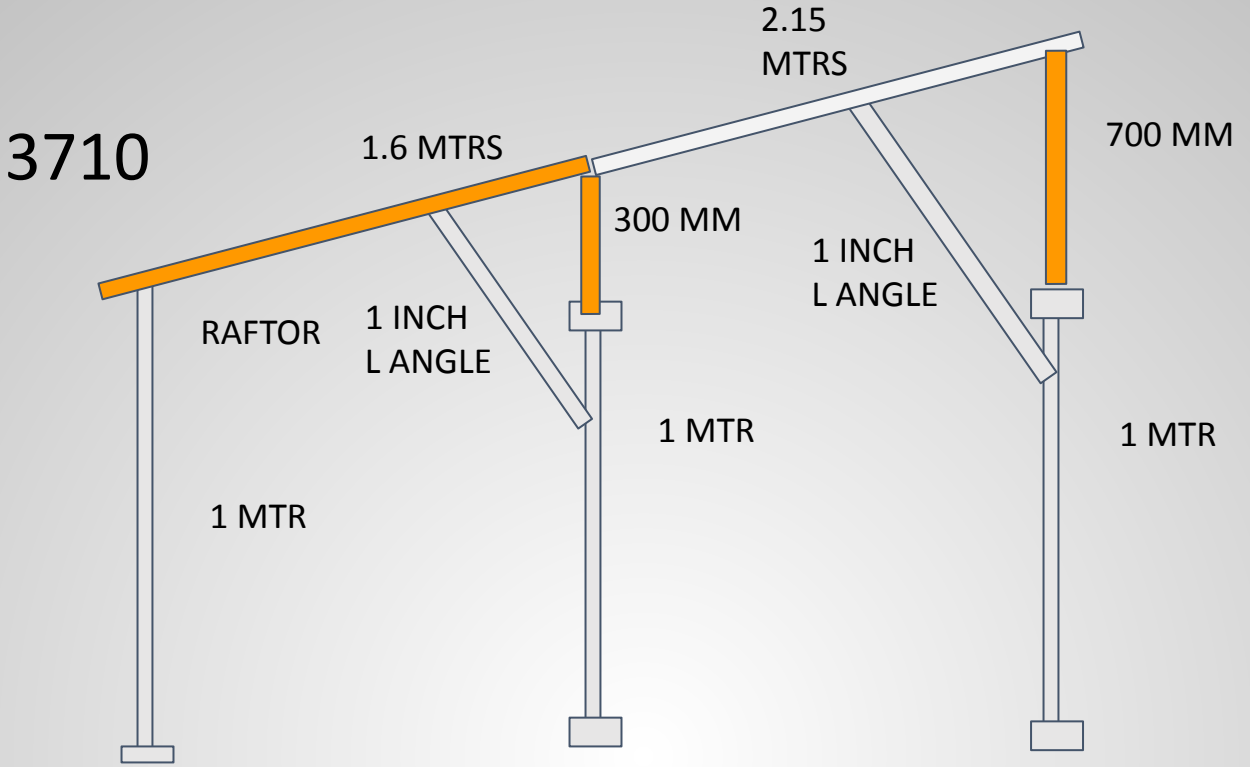
11 Degree
Elevation

RCC LEG SETS 3.75
MTR RAFTOR



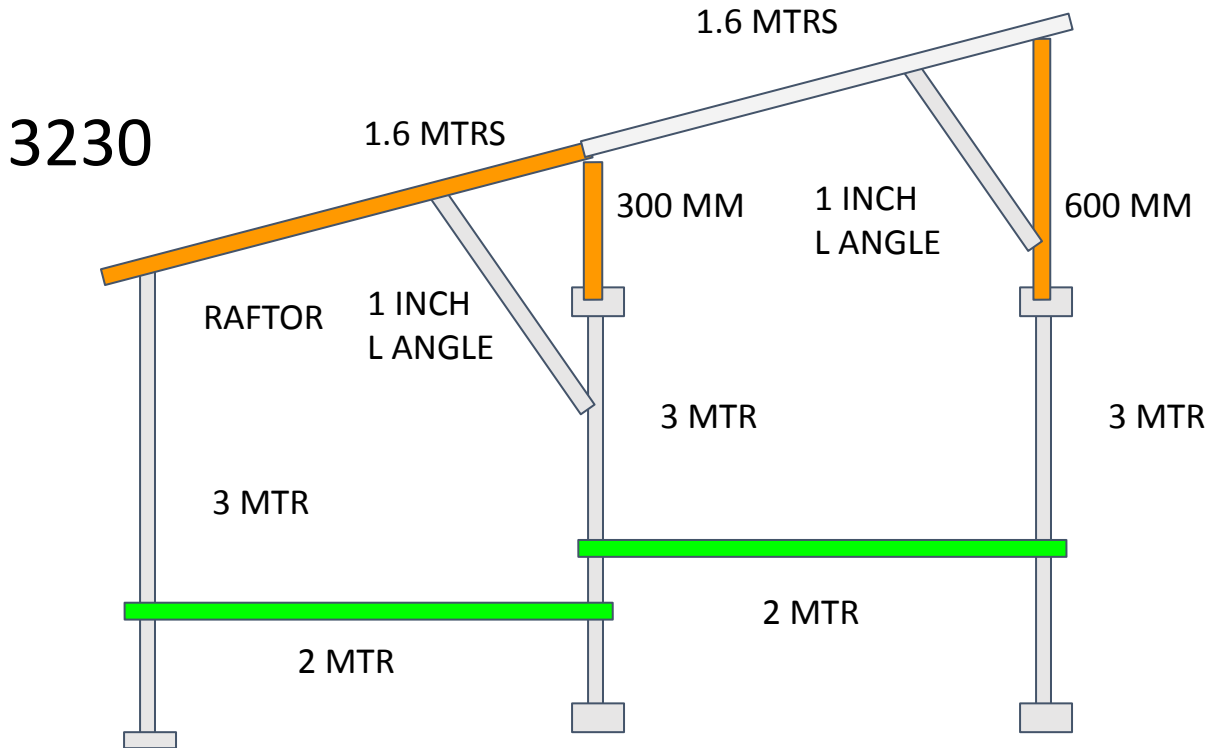
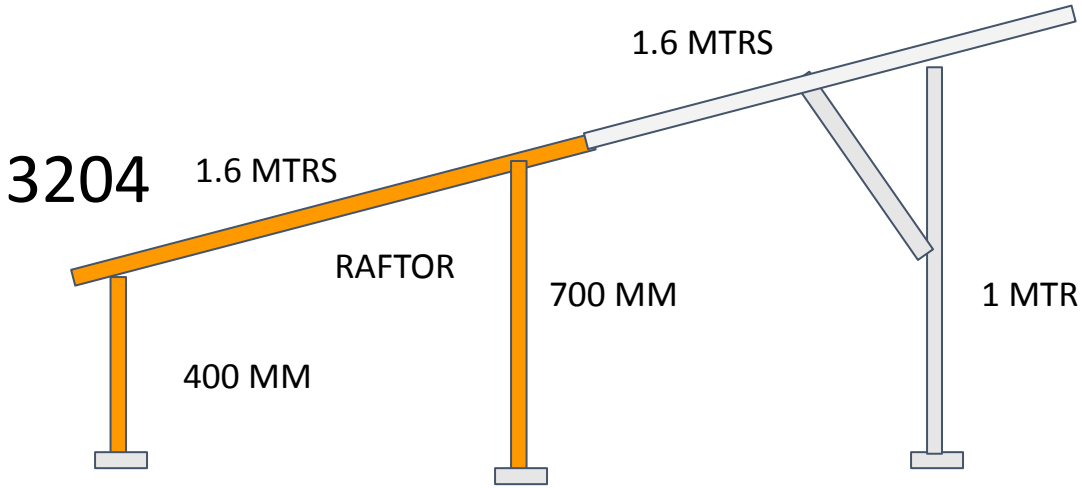
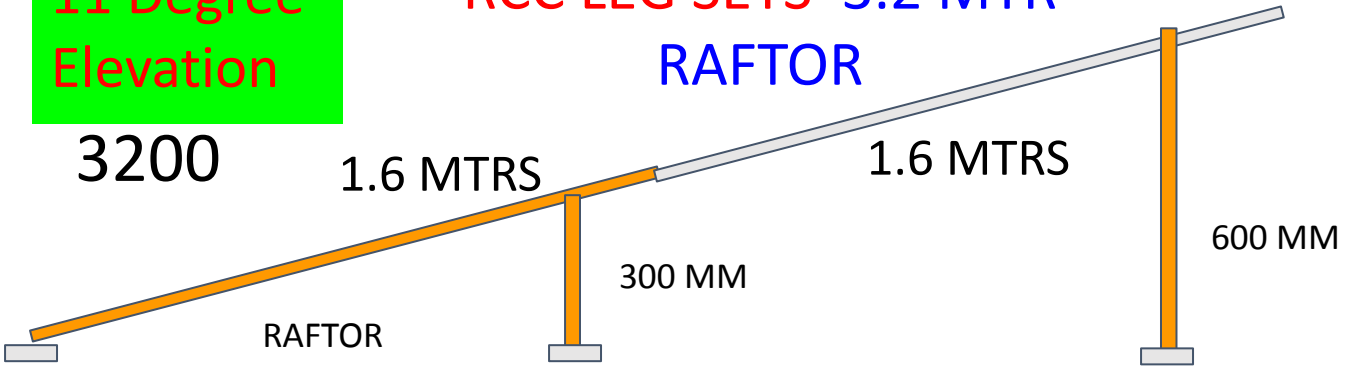
11 Degree
Elevation

RCC LEG SETS 3.75 MTR RAFTOR



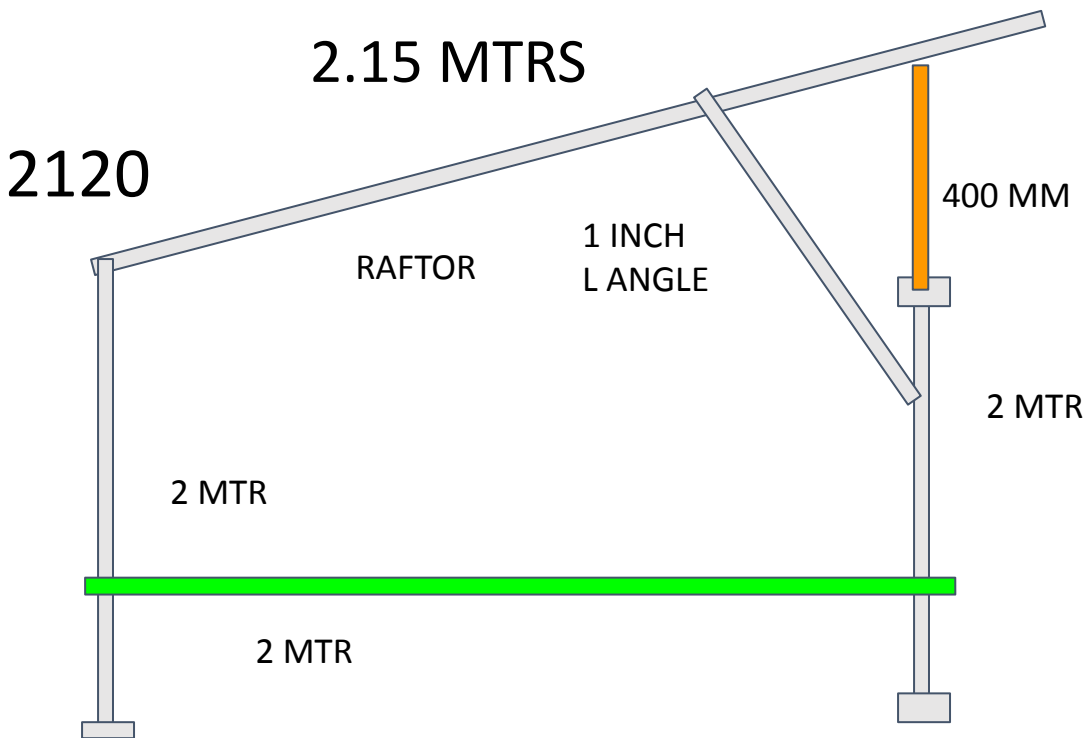
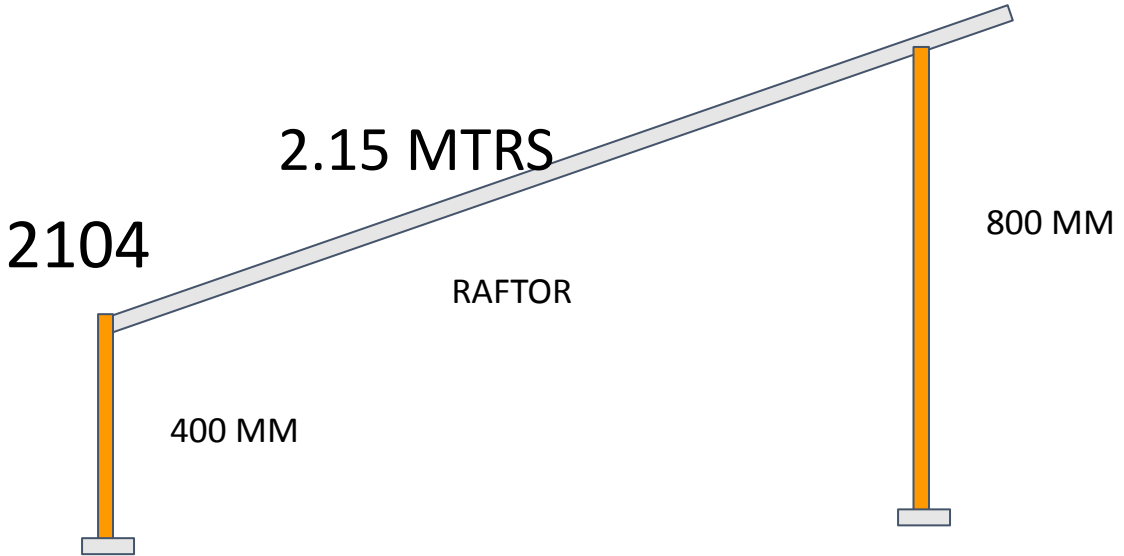
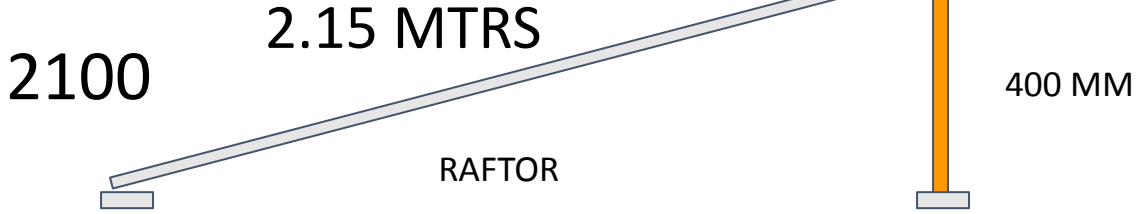
11 Degree
Elevation

RCC LEG SETS 3.2 MTR
RAFTOR



11 Degree
Elevation

RCC LEG SETS
2.15 MTR RAFTOR



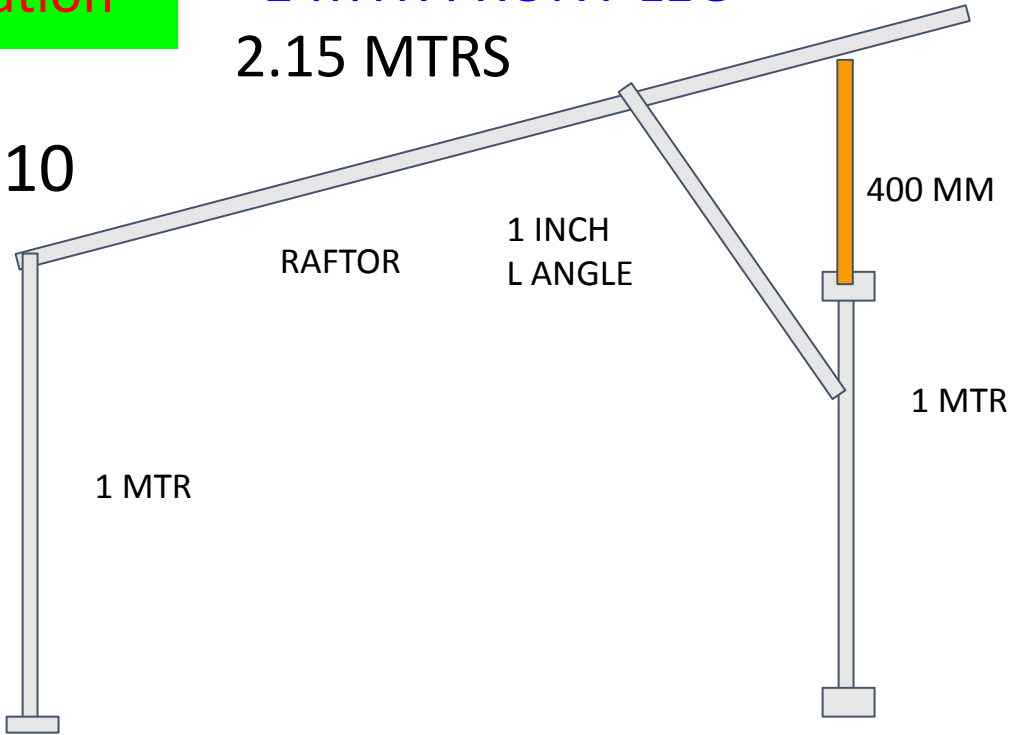
11 Degree
Elevation

RCC LEG SETS

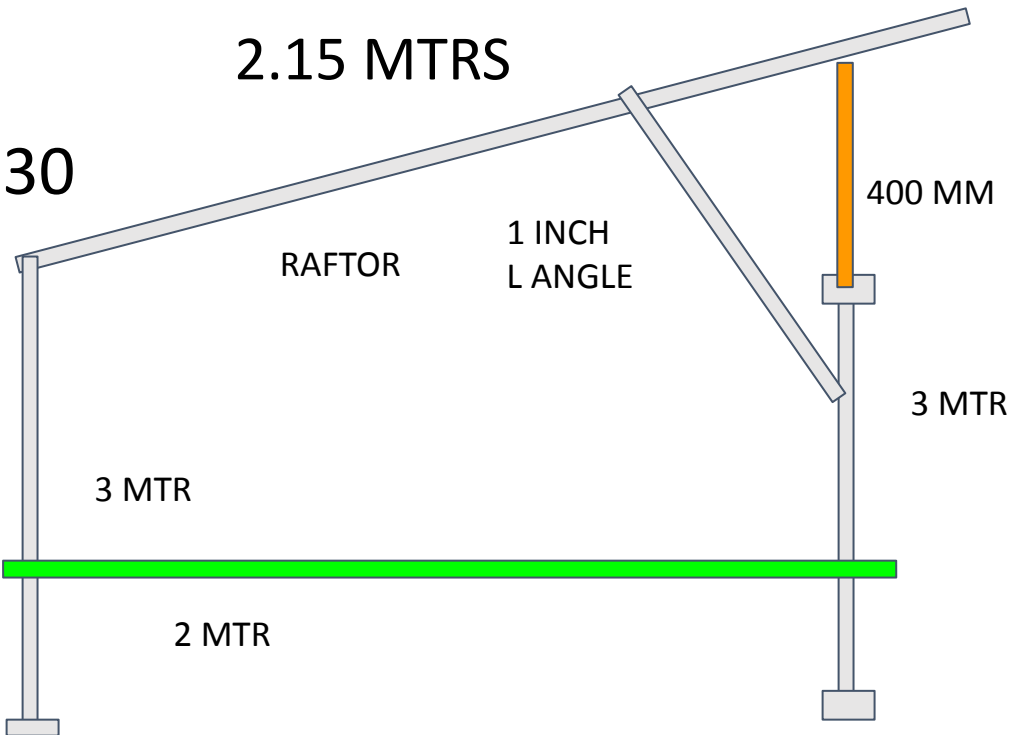
1 MTR FRONT LEG

2.15 MTRS

2110



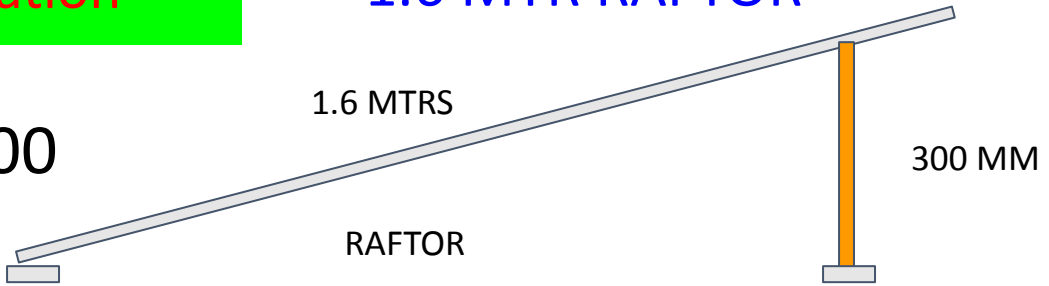
2130



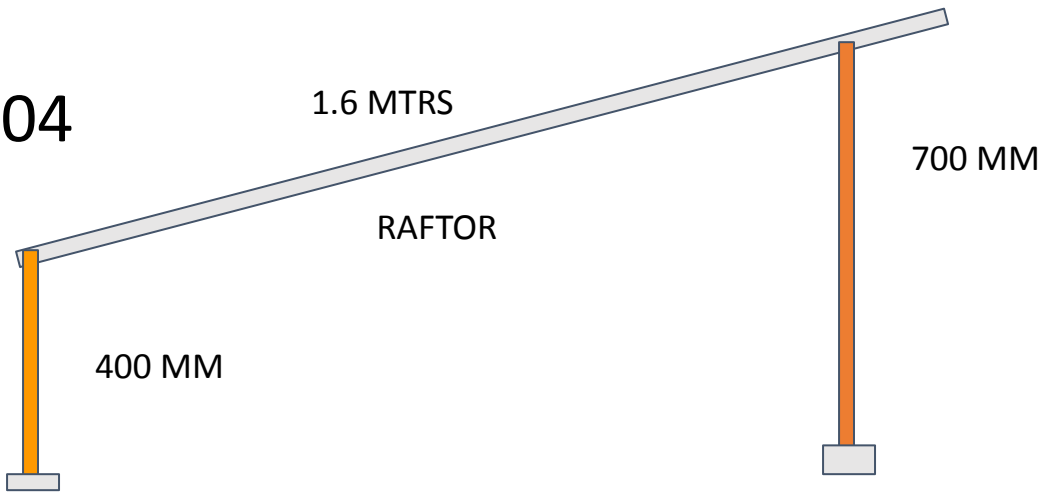
11 Degree
Elevation

RCC LEG SETS 1.6 MTR RAFTOR

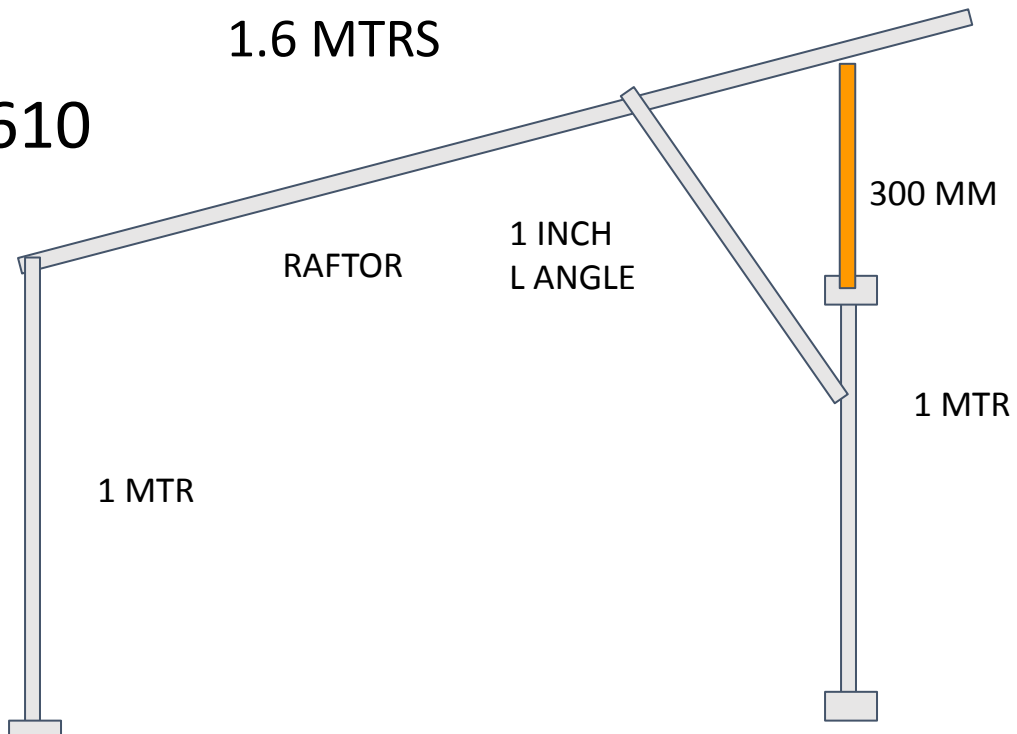
1600



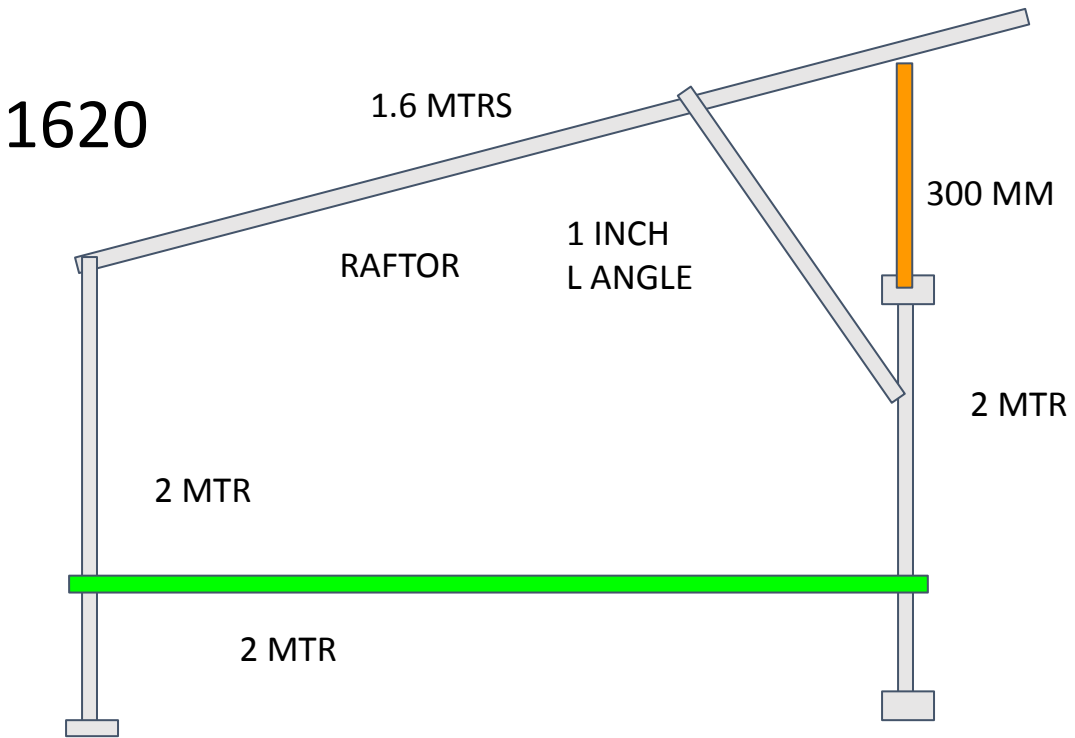
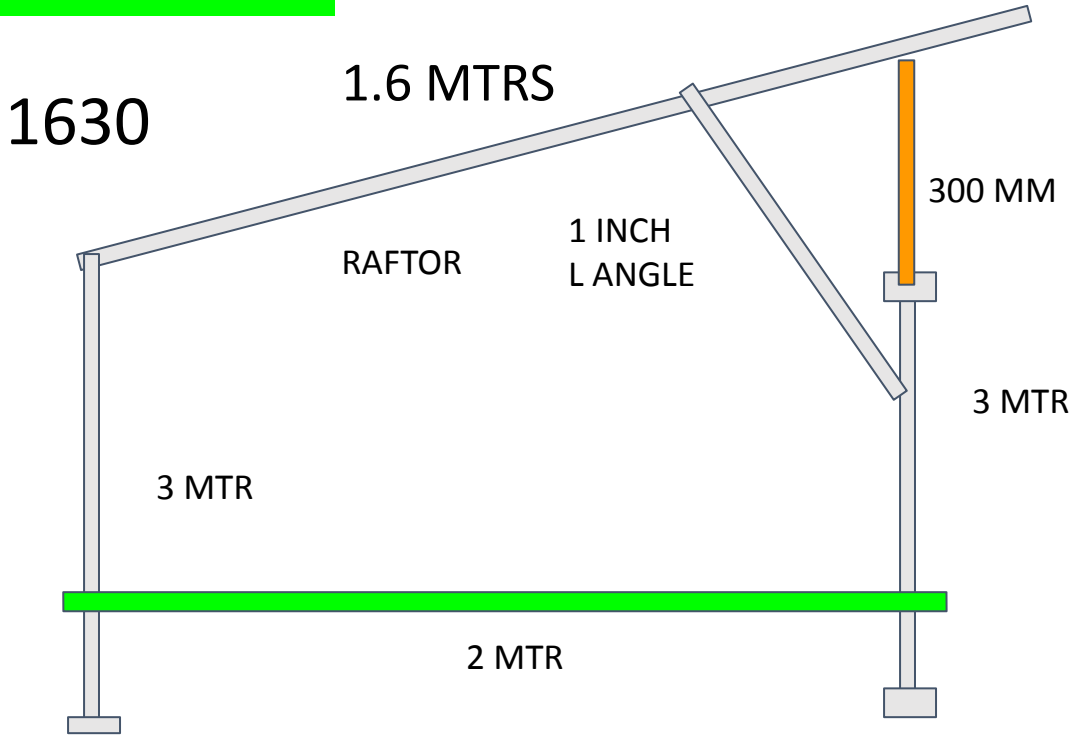
1604



1610

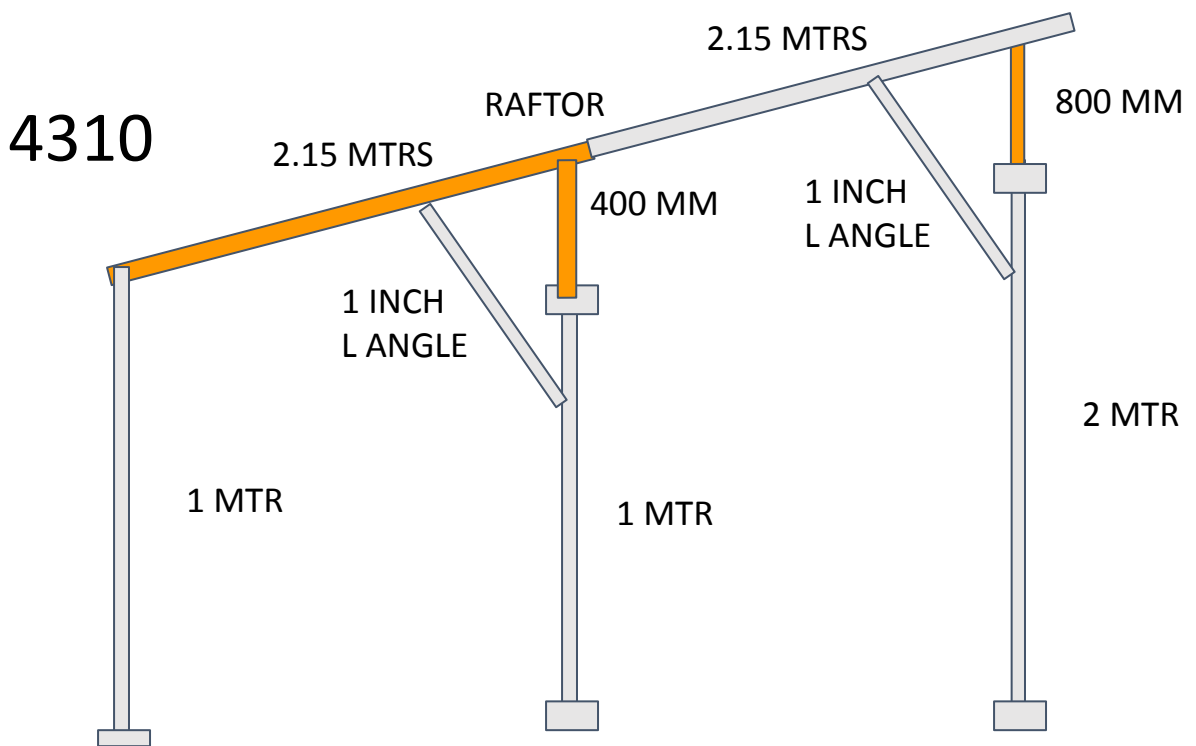
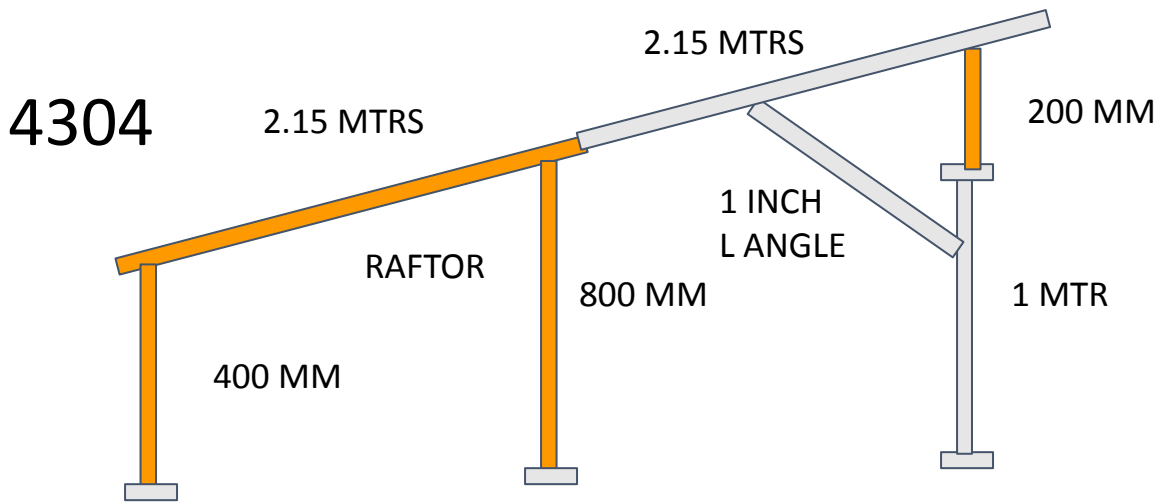
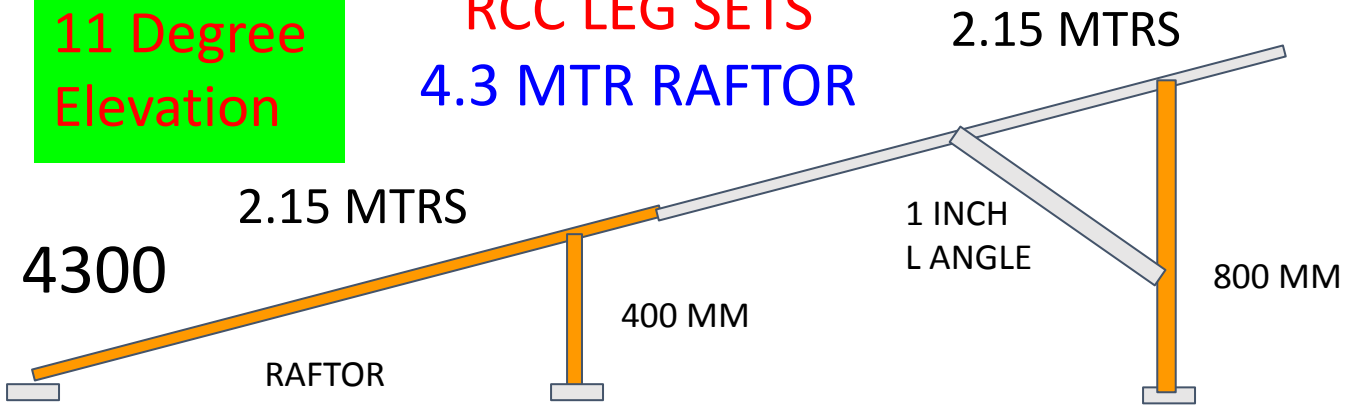


11 Degree Elevation



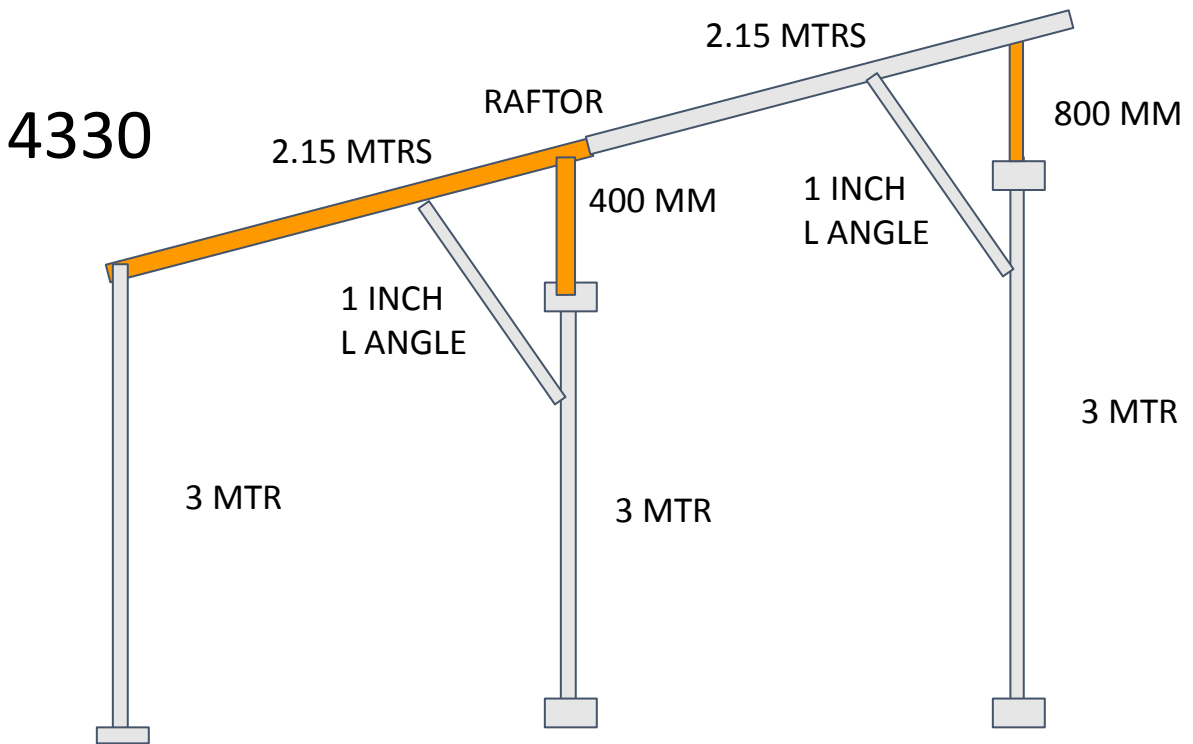
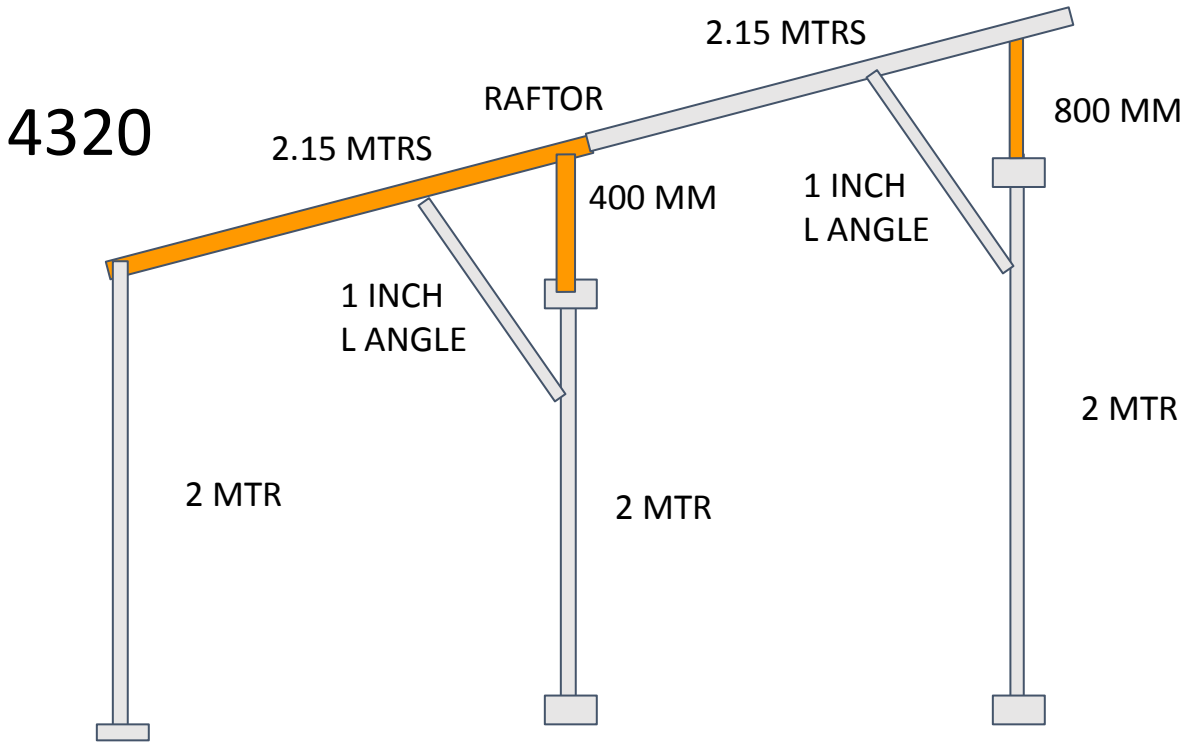
**11 Degree
Elevation**

**RCC LEG SETS
4.3 MTR RAFTOR**



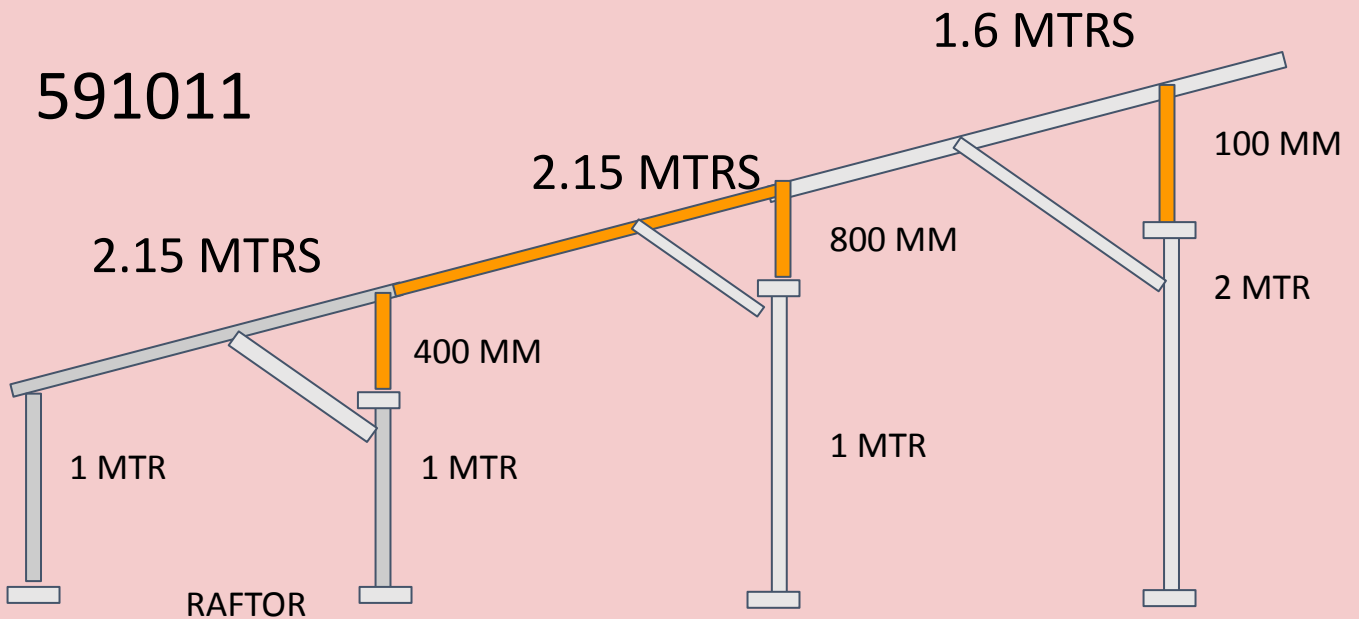
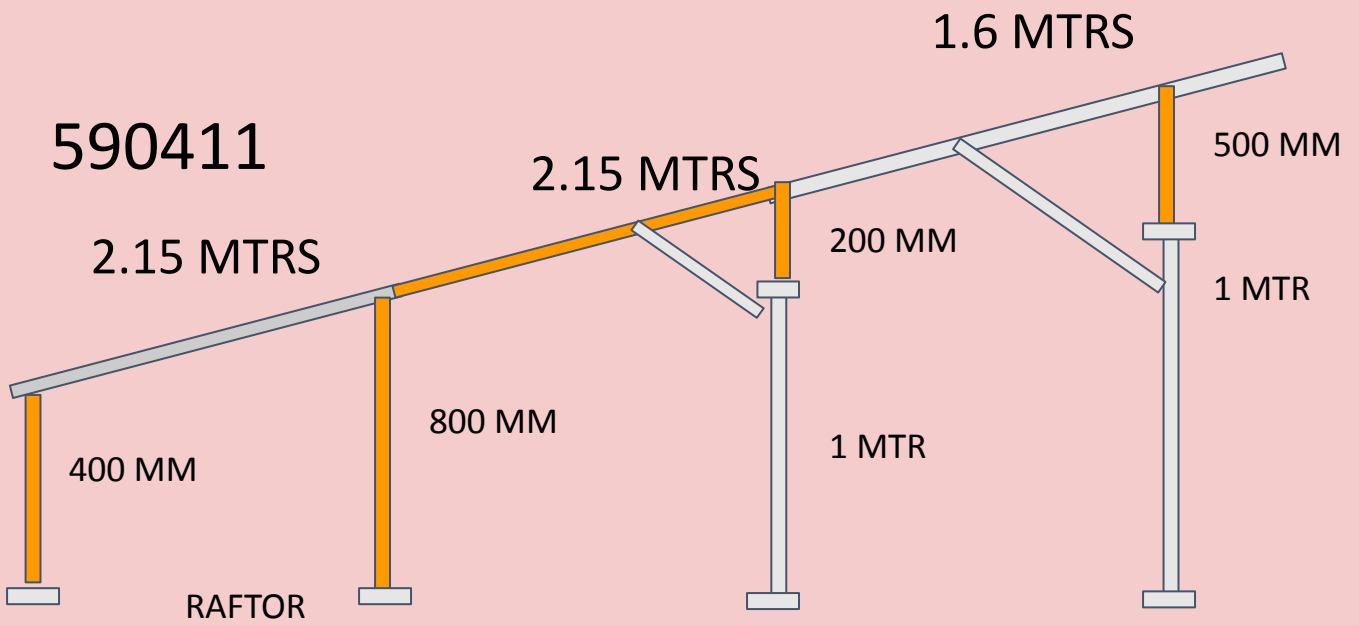
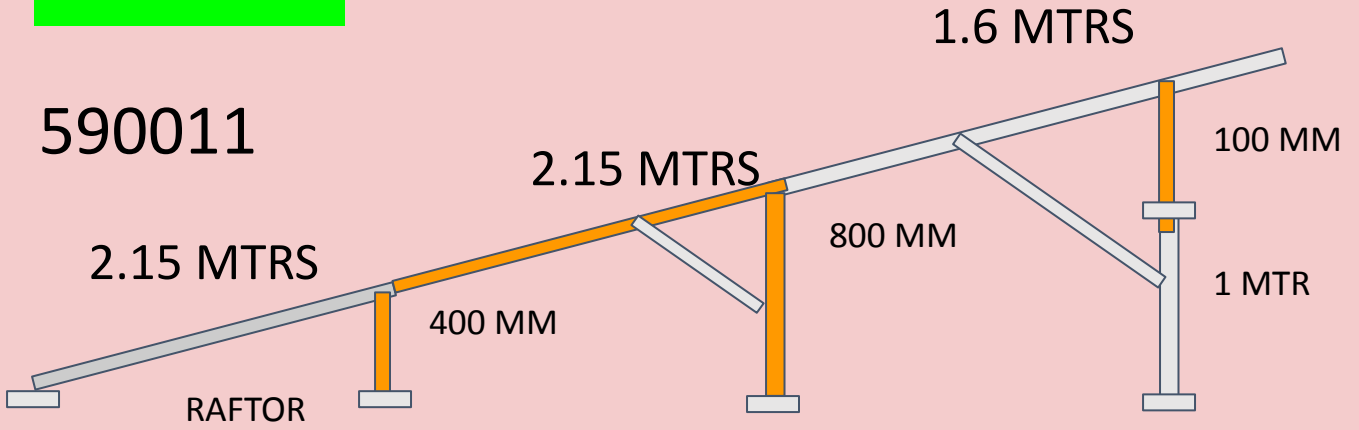
11 Degree
Elevation

RCC LEG SETS 4.3 MTR RAFTOR



11 Degree
Elevation

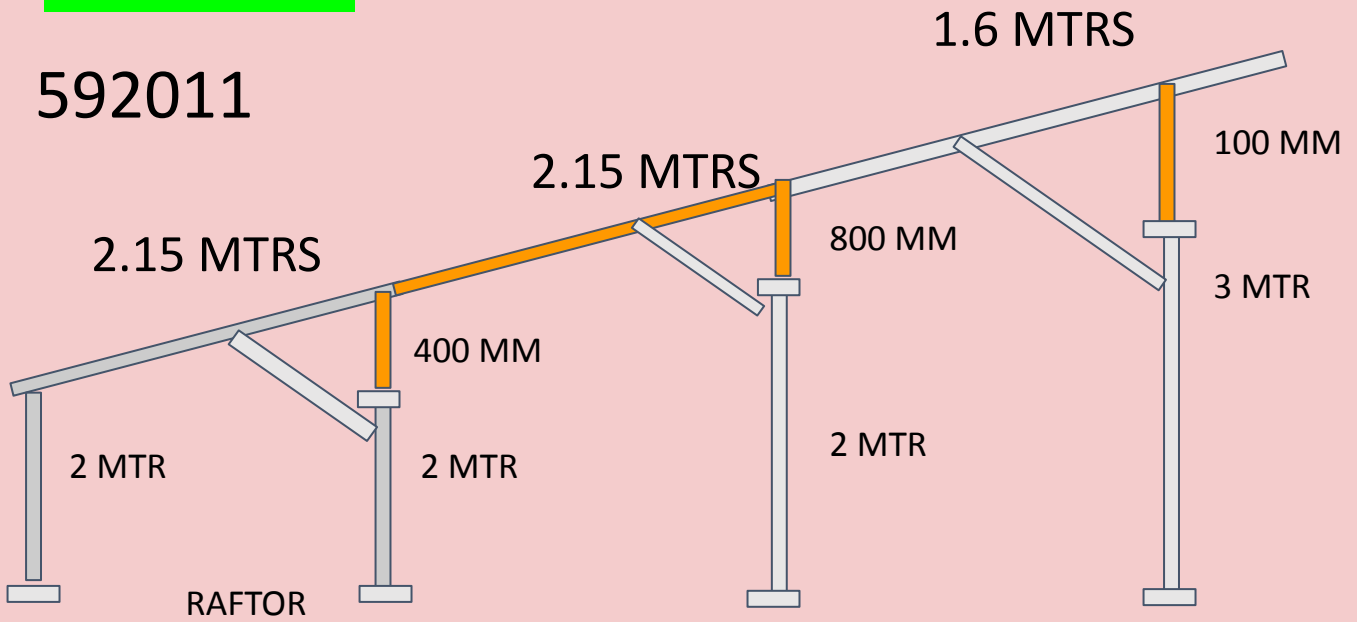
RCC LEG SETS
5.9 MTR RAFTOR



11 Degree Elevation

RCC LEG SETS
5.9 MTR RAFTOR

592011



11 Degree Elevation

RCC LEG SETS
5.9 MTR RAFTOR

593011

