

PIVOT-PRO FACE FRAME

H8 / E8 2 Cam Soft-close Face Frame Hinges with Built-in Damper



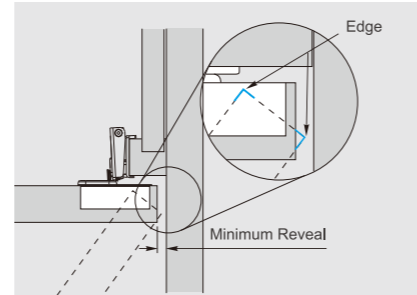
PRODUCT



DESCRIPTION

- 105° opening
- 11mm cup depth
- Partial overlay
- 2 cam, 6-way adjustable
- Soft-close damper integrated into the hinge cup
- Press-in hinges must be inserted with knock-in tool

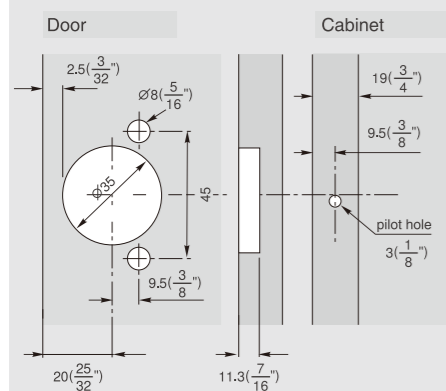
SPACE REQUIREMENT



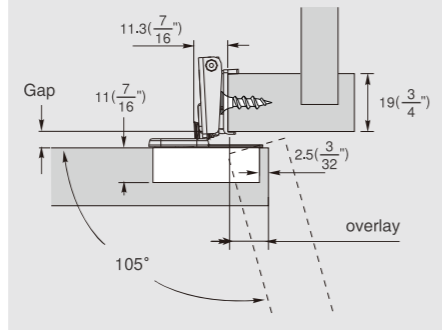
19mm(3/4)" door,
Min.reveal=7mm(9/32)"
Based on square edge doors

PLANNING

Drilling Dimensions

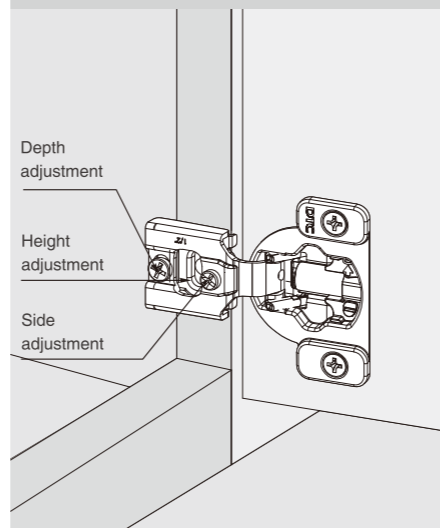


Installation Dimensions



Gap 5mm($\frac{3}{16}$), factory setting
Overlay 6.4-9.5mm($\frac{1}{4}$ - $\frac{3}{8}$), adjust+2.5mm($\frac{3}{32}$), -0mm
Overlay 11-25.4mm($\frac{7}{16}$ -1"), adjust+1.8mm($\frac{1}{16}$), -0.7mm($\frac{1}{32}$)

Adjustments



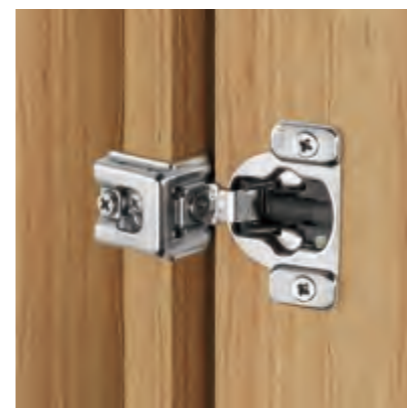
Soft-close Hinge Order Information

Overlay		Screw-on item No.	Press-in item No.	Pcs/ctn
1/4"	6.4mm	H8Q015H	H8Q015NH	300
5/16"	7.9mm	H8Q025H	H8Q025NH	300
3/8"	9.5mm	H8Q035H	H8Q035NH	300
7/16"	11.1mm	H8Q045H	H8Q045NH	300
1/2"	12.7mm	H8Q055H	H8Q055NH	300
9/16"	14.3mm	H8Q065H	H8Q065NH	300
5/8"	15.8mm	H8Q075H	H8Q075NH	300
3/4"	19mm	H8Q085H	H8Q085NH	300
7/8"	22.2mm	H8Q095H	H8Q095NH	300
1"	25.4mm	H8Q105H	H8Q105NH	300

Non-Soft-close Hinge Order Information

Overlay		Screw-on item No.	Press-in item No.	Pcs/ctn
1/4"	6.4mm	H8E015	H8E015N	300
5/16"	7.9mm	H8E025	H8E025N	300
3/8"	9.5mm	H8E035	H8E035N	300
7/16"	11.1mm	H8E045	H8E045N	300
1/2"	12.7mm	H8E055	H8E055N	300
9/16"	14.3mm	H8E065	H8E065N	300
5/8"	15.8mm	H8E075	H8E075N	300
3/4"	19mm	H8E085	H8E085N	300
7/8"	22.2mm	H8E095	H8E095N	300
1"	25.4mm	H8E105	H8E105N	300

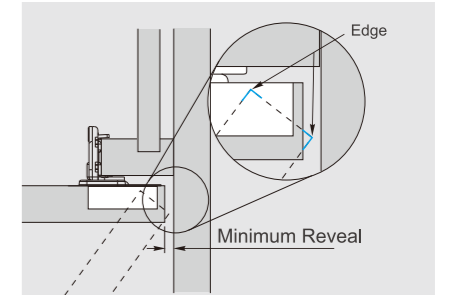
PRODUCT



DESCRIPTION

- 105° opening
- 11mm cup depth
- Full overlay
- 2 cam, 6-way adjustable
- Soft-close damper integrated into the hinge cup
- Press-in hinges must be inserted with knock-in tool

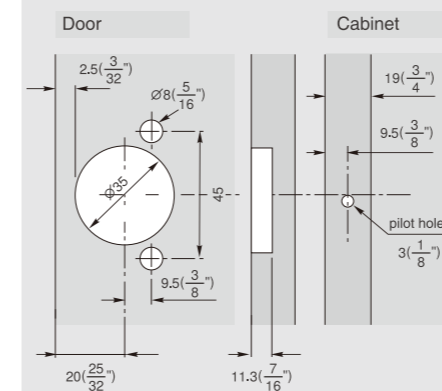
SPACE REQUIREMENT



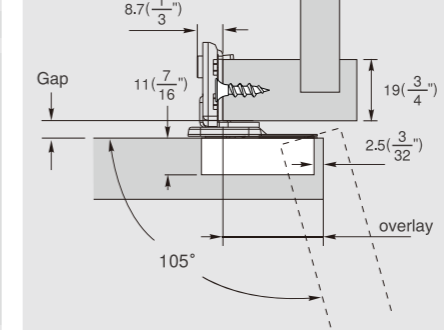
19mm(3/4)" door,
Min.reveal=7mm(9/32)"
Based on square edge doors

PLANNING

Drilling Dimensions

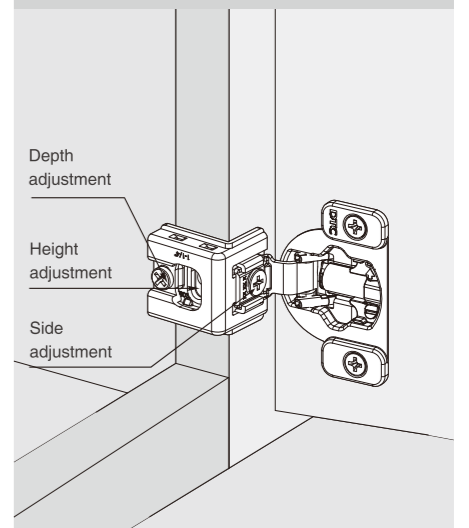


Installation Dimensions



Gap 5mm($\frac{3}{16}$), factory setting +2.5mm($\frac{3}{32}$), -0

Adjustments



Soft-close Hinge Order Information

Overlay		Screw-on item No.	Press-in item No.	Pcs/ctn
1 1/4"	31.8mm	E8Q115H	E8Q115NH	300
1 5/16"	33.3mm	E8Q125H	E8Q125NH	300
1 3/8"	34.9mm	E8Q135H	E8Q135NH	300
1 7/16"	36.5mm	E8Q145H	E8Q145NH	300
1 1/2"	38.1mm	E8Q155H	E8Q155NH	300
1 9/16"	39.7mm	E8Q165H	E8Q165NH	300

Non-Soft-close Hinge Order Information

Overlay		Screw-on item No.	Press-in item No.	Pcs/ctn
1 1/4"	31.8mm	E8E115	E8E115N	300
1 5/16"	33.3mm	E8E125	E8E125N	300
1 3/8"	34.9mm	E8E135	E8E135N	300
1 7/16"	36.5mm	E8E145	E8E145N	300
1 1/2"	38.1mm	E8E155	E8E155N	300
1 9/16"	39.7mm	E8E165	E8E165N	300