

Olio Drops to cycle between scenes. Need to build on site to figure out dimensions.

Floor is painted to look like a red oak wood floor. Each row is staggered with each plank being 3'-00" x 0'-06"

Rug has separate plate with more information.

NOTES:

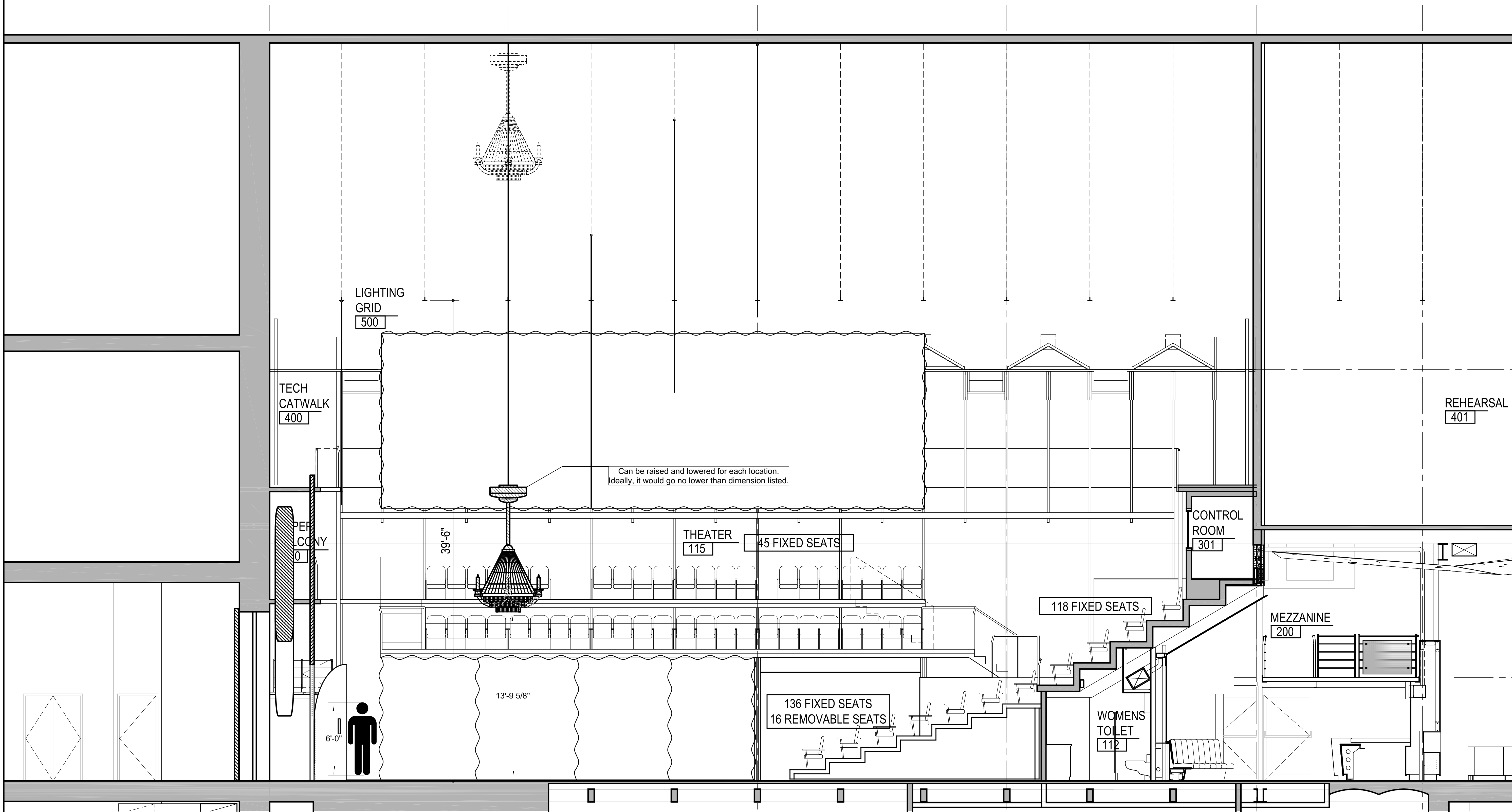
Project: **Les Liasons Danereuses by Christopher Hampton**
 Producer: UGA Department of Theatre and Film
 Purpose: **Ground Plan**

Date: 03/20/2023

Scale: 1/4" = 1' - 0"

Sheet: 01 OF 6

Drawn By: N. Tomlin
Revision Date:



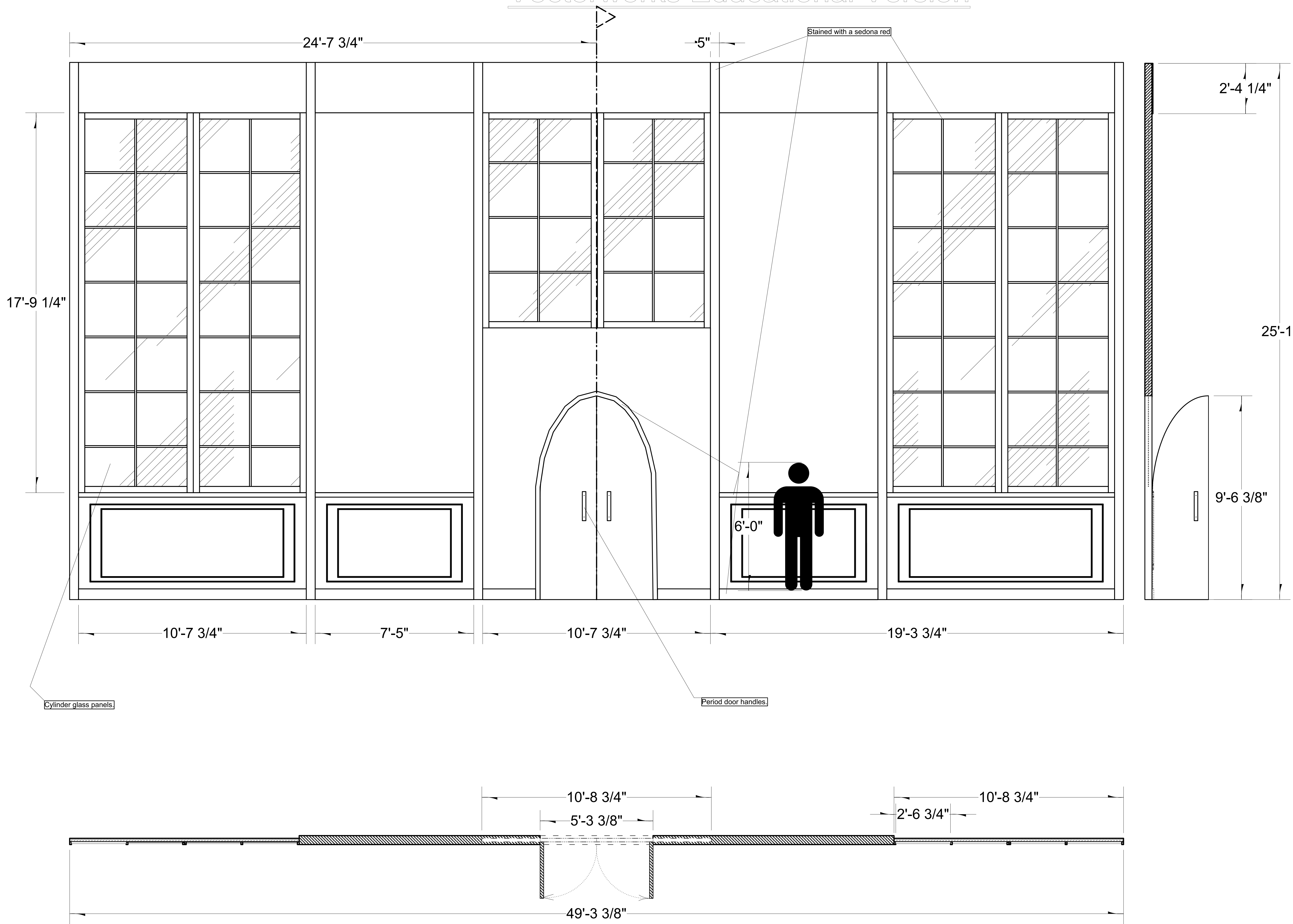
Drawn By:	N. Tomlin
Revision Date:	

NOTES:

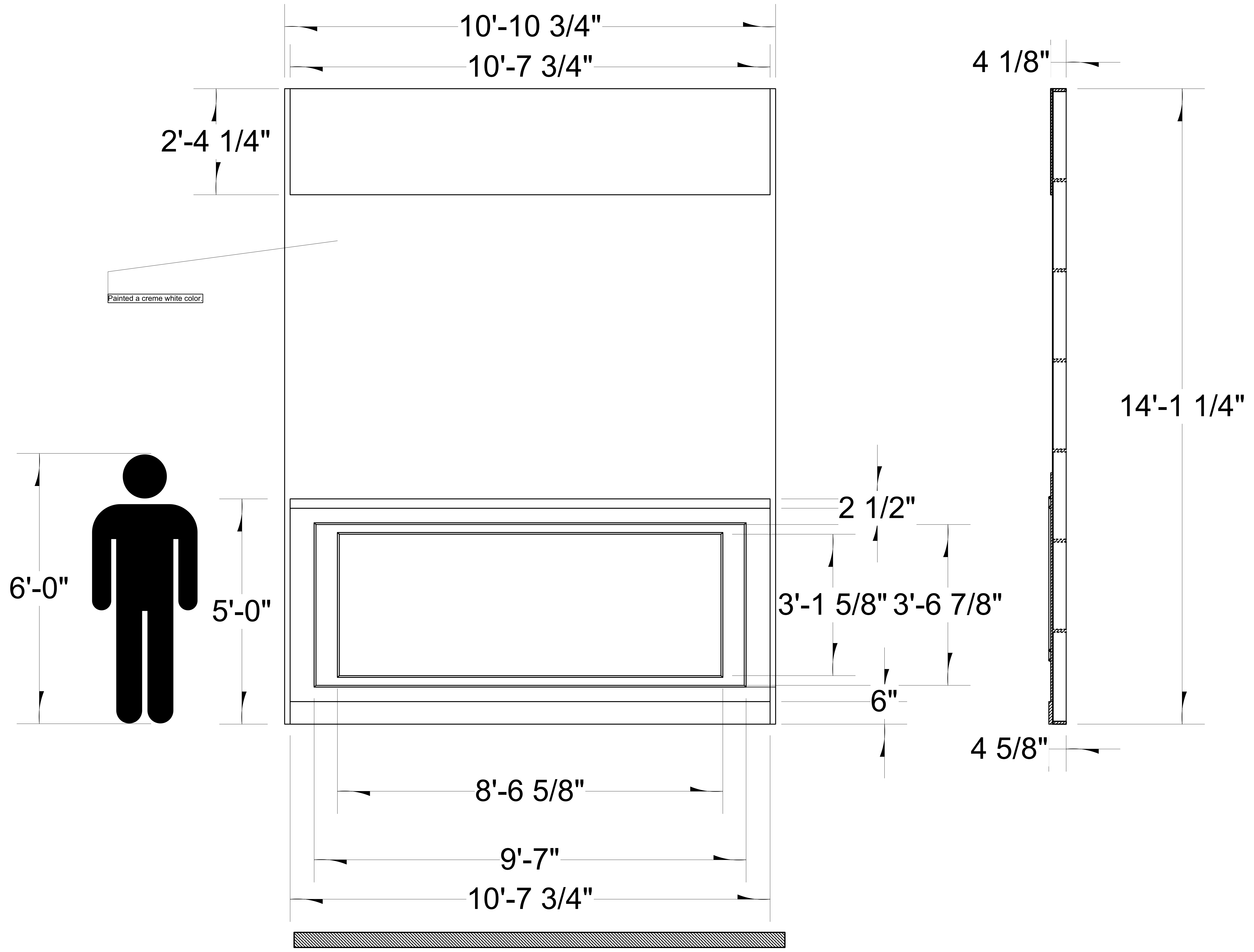
Project:
**Les Liaisons Danereuses
 by Christopher Hampton**
 Producer:
 Purpose:
Section View

Date:
 03/20/2023
 Scale:
 1/4" = 1' - 0"

Sheet:
 02
 OF
 6



Project: Les Liasons Danereuses by Christopher Hampton		Drawn By: N. Tomlin
Date: 03/20/2023		Revision Date:
Scale: 1/2" = 1' - 0"		Purpose: Wall Elevation A
Sheet: 03 OF 6		NOTES: More details on trim molding and panels on seperste plate



Painted a creme white color

NOTES:

More details on trim molding and panels on seperste plate

Project:

Les Liaisons Danereuses
by Christopher Hampton

Producer:

Elevation Wall B

Drawn By: N. Tomlin

Revision Date:

Date:

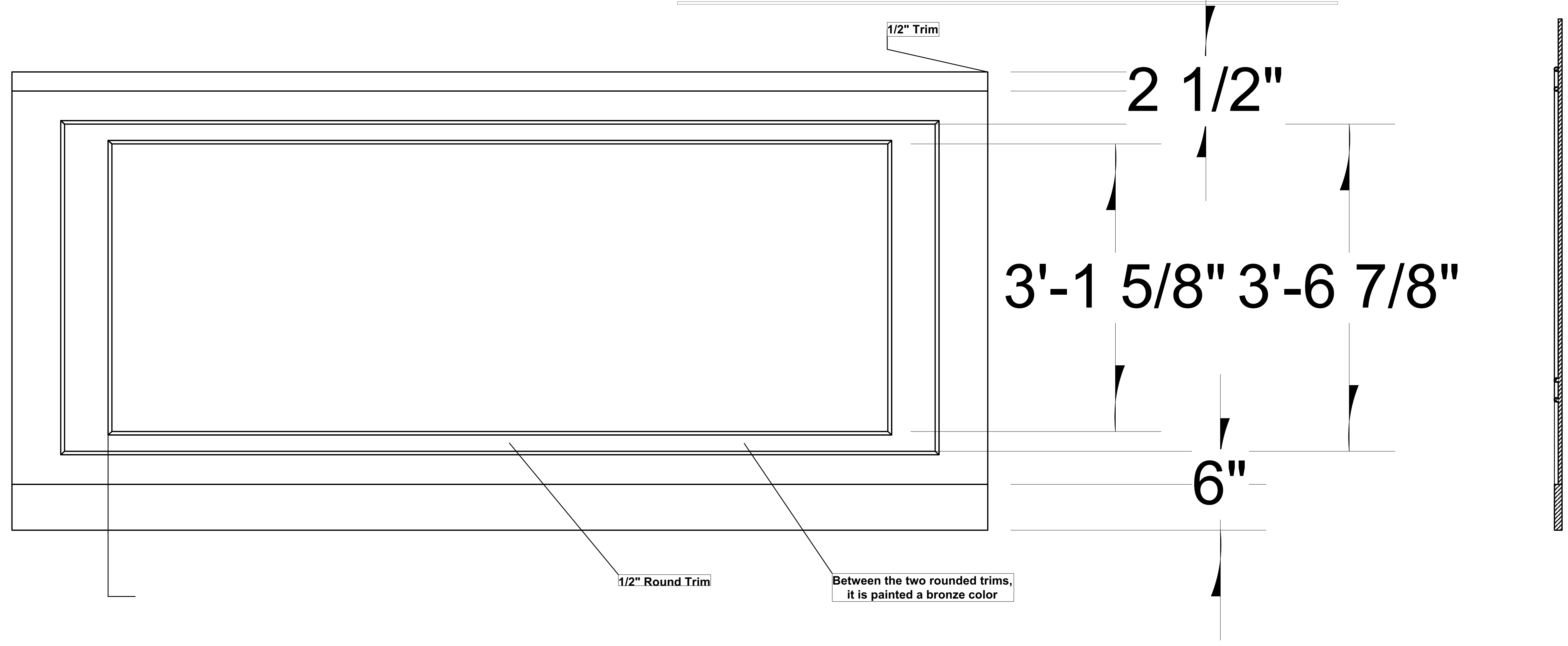
03/20/2023

Scale:

1" = 1' - 0"

Sheet:

04
OF
6



Lower Panels
1 1/2" = 1' 00"

NOTES:

All wall panels and trim share dimensions listed, aside from the width between wall sections. These are painted ana creme white, with a red stained trim.

Drawn By: N. Tomlin
Revision Date:

Upper Trim
2" = 1' 00"



2'-4 1/4"

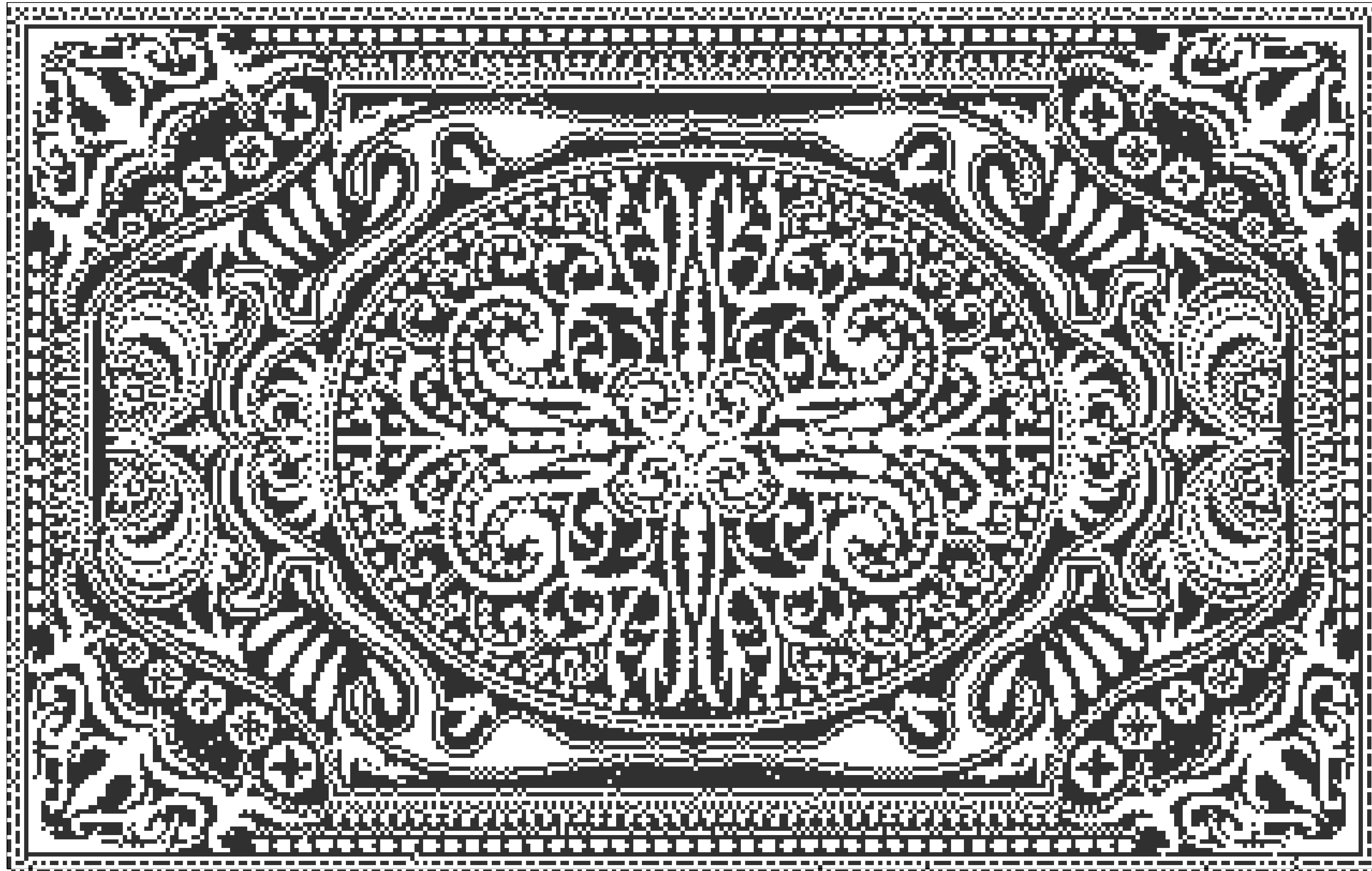
Project: Les Liasons Danereuses by Christopher Hampton
Producer:
Purpose: Trim & Panel Details

Date: 03/20/2023

Scale: As Noted

Sheet: 05 OF 6

22'-5 3/8"



35'-5 3/8"

NOTES:

Floor treatment is a wood floor, with a large black and white rug in a card pattern. Ideally it is a rug, but could be painted onto a large drop.

Project:
**Les Liasons Danereuses
by Crhistopher Hampton**

Producer:
Purpose:
Rug Detail

Date:
03/20/2023

Scale:
3/4" = 1' - 0"

Sheet:
06
OF
6

Drawn By: N. Tomlin
Revision Date: