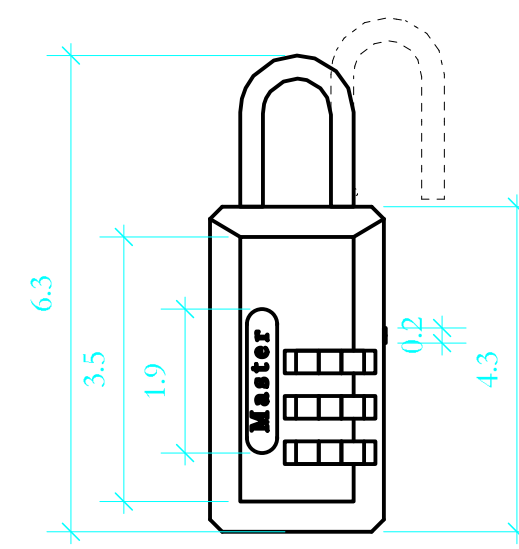
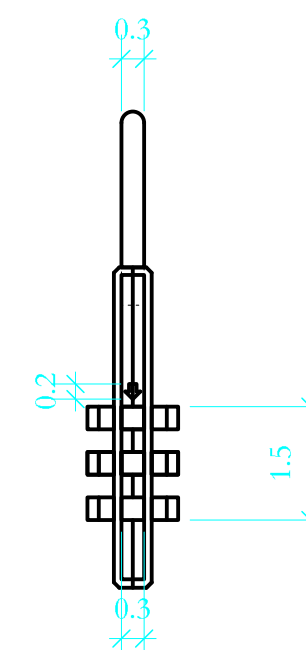


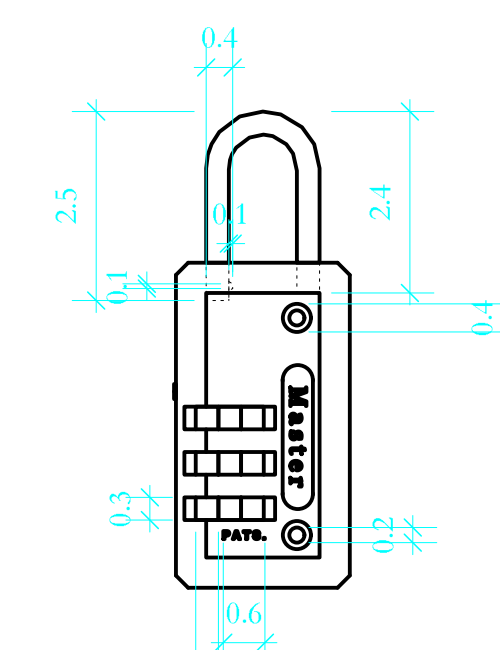
LEFT



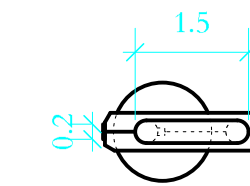
FRONT



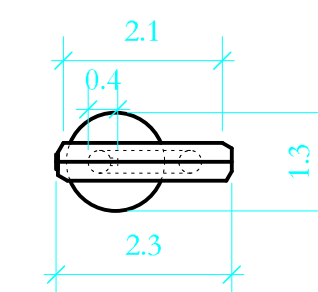
RIGHT



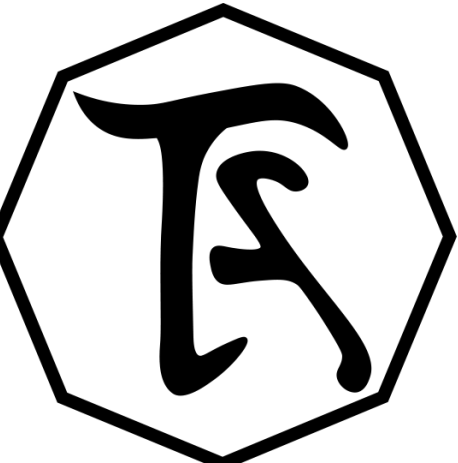
BACK



TOP



BOTTOM

DATE: NOV 4, 2022 SCALE: 1:1	University of Georgia: Department of Theatre & Film Studies <h2 style="margin: 0;">ASSIGNMENT V</h2> TOY PROJECT ORTHOGRAPHIC PROJECTIONS		<h3 style="margin: 0;">NO VENUE</h3>		
	INSTRUCTOR: CHRISTIAN DEANGLIS DESIGNER: MASTERLOCK® DRAWN BY: NICKY TOMLIN		SHEET NAME: FRONT, PLAN, & SIDE VIEWS	REVISION: 1 REVISION DATE: NOV 4, 2022	
	NOTES: USED METRIC SYSTEM FOR DIMENSIONS. EVERYTHING IS IN CENTIMETERS (cm)		SHEET: 1 OF 1		