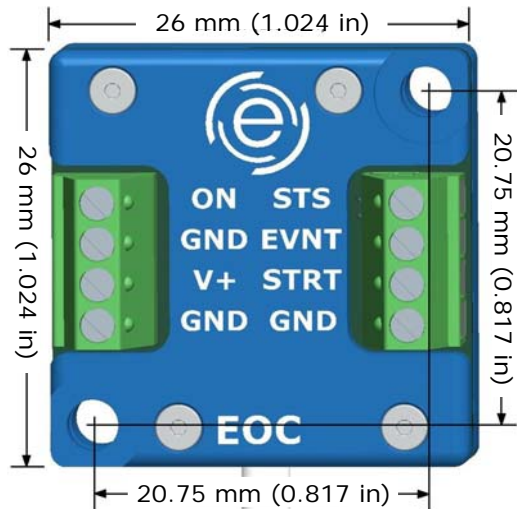




# SLICE End-of-Chain Terminal



support@dtsweb.com

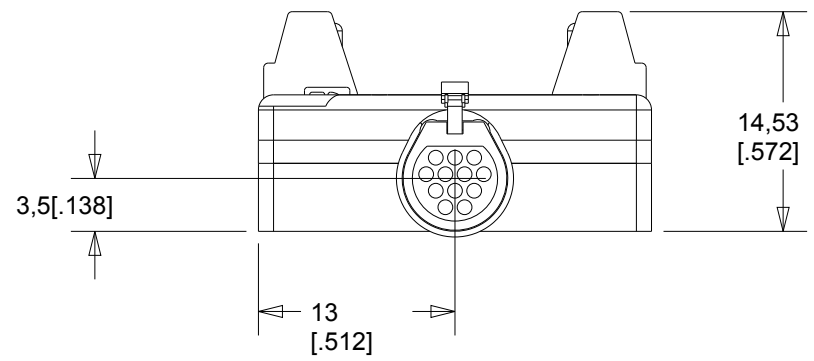
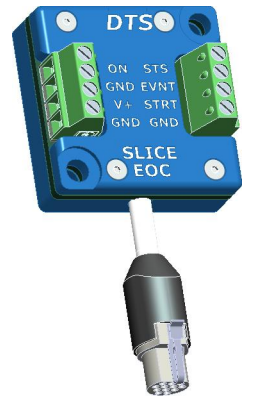
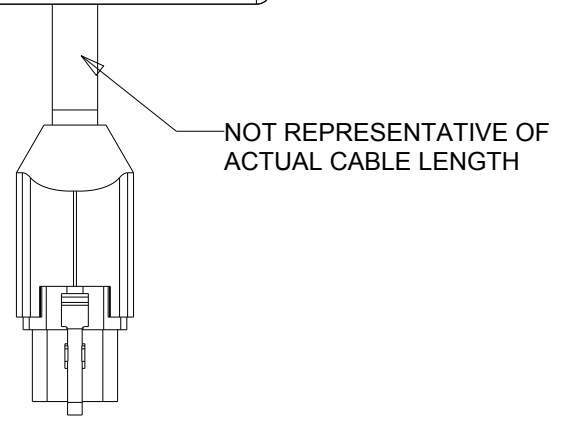
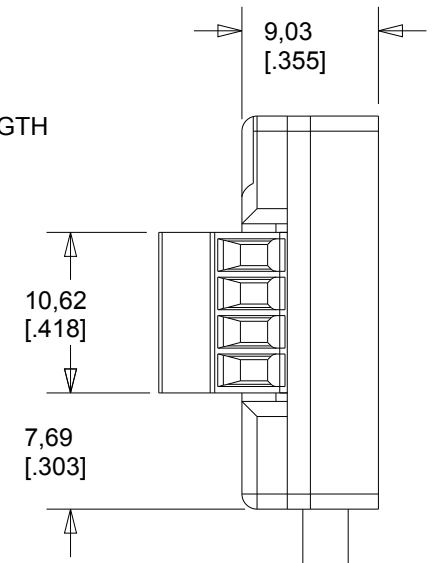
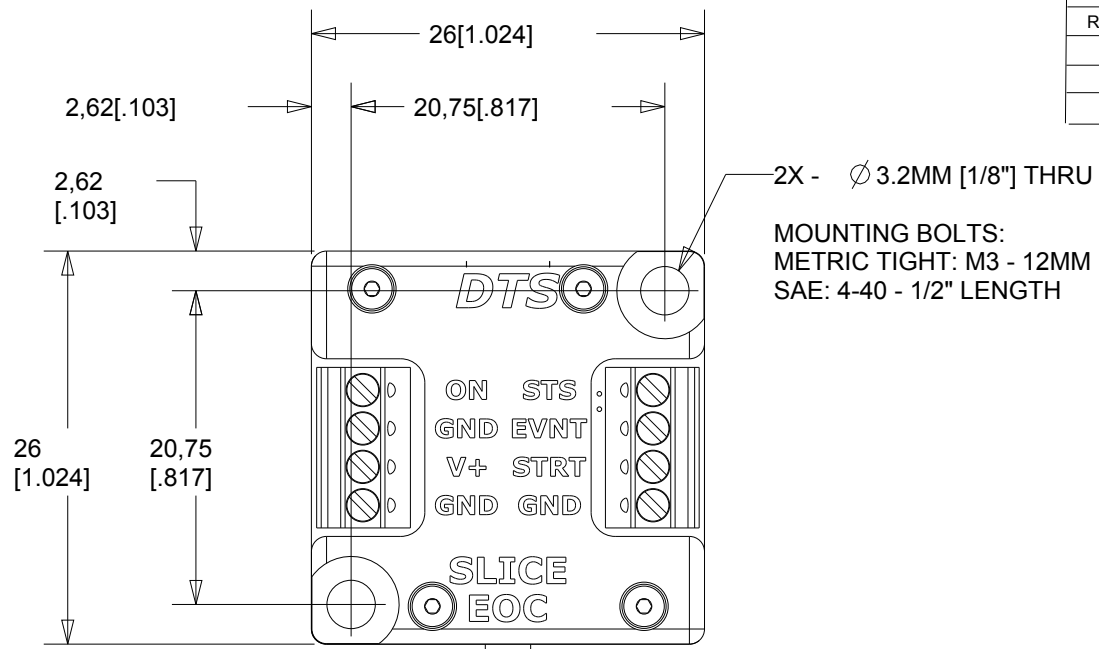


to DN port on  
SLICE MICRO or  
SLICE NANO Base

	Function	Connections
<b>ON</b>	Turns on SLICE	Contact closure = ON to GND (continuous) If ON signal is removed and the system is not armed, the system will turn off If ON signal is removed and the system is armed, the system will remain on and collect data (sufficient input power permitting)
<b>V+</b>	Power input	+V = input voltage (red) -V = GND (black)
<b>STS</b>	Status output	5 V logic-level output = STS to GND Conditioned status output; LED direct drive ( $\geq 20$ mA) LED is on only when SLICE is collecting data
<b>EVNT</b>	Event input	Contact closure = EVNT to GND (momentary) An EVNT signal can initiate data collection (circular buffer mode) or mark an event within the data collection window (recorder mode)
<b>STRT</b>	Start record input	Contact closure = STRT to GND (momentary) A STRT signal initiates data collection (recorder mode)

Weight: 12 grams (without cabling)  
28-20 AWG terminals.  
All GND terminations are common.  
Reverse polarity and overvoltage protection.

REVISIONS				
REV	DESCRIPTION	DATE	APPR	
B	MODIFIED ARTWORK	6-1-11	GN	



UNLESS OTHERWISE SPECIFIED  
DIMENSION ARE IN MM  
TOLERANCES ARE:  
DECIMALS: ANGLES:  
X ± .25 ± .5°  
.XX ± .1

**DTS** 909 ELECTRIC AVE, SUITE 206  
SEAL BEACH, CA 90740  
562-493-0158

NAME/DESC:  
**SLICE END OF CHAIN,  
MOUNTING DIMENSIONS**

DO NOT SCALE DRAWING

MATERIAL:	DRAWING NO: <b>SLICE-M2D-1374</b>	REV: <b>B</b>
DRAWN BY: <b>G NEWTON 2-17-09</b>	SIZE: <b>A</b>	SCALE <b>2:1</b>
		SHEET <b>1 OF 1</b>