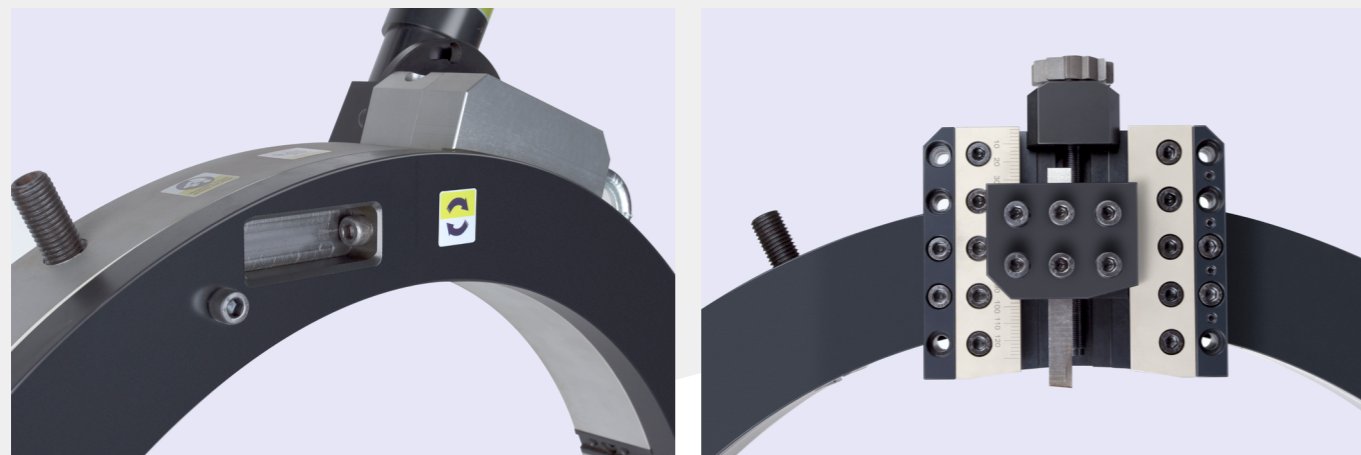
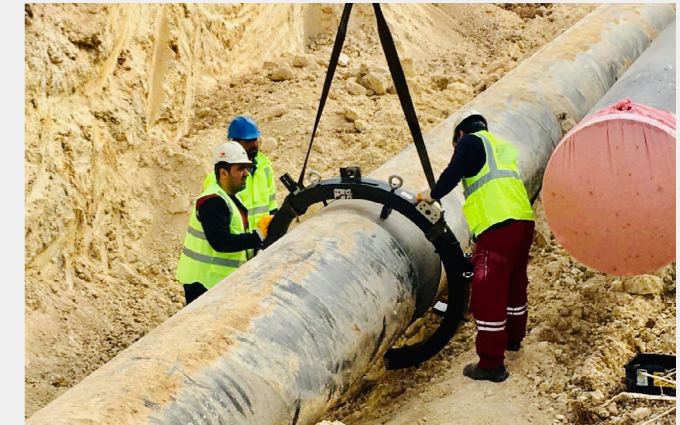
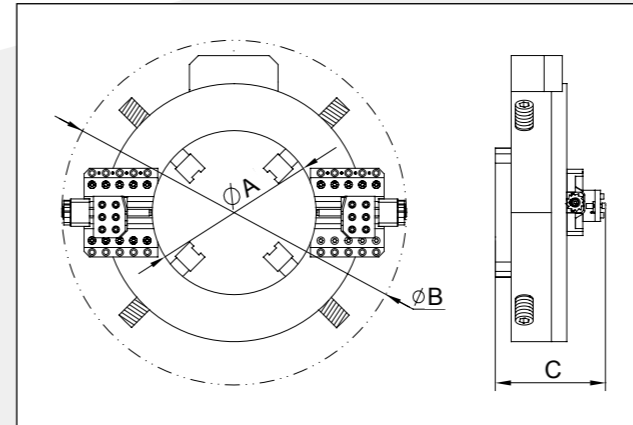




CS - CLAMSHELL

- 19 standard models from 2"-60" cutting range
- Split-Frame design for easy mounting
- Pneumatic, electric, and hydraulic drive options available
- Ideal for beveling, facing or counterboring pipe or tubing
- Wide range of accessories to meet most applications
- Larger and customizable sizes available

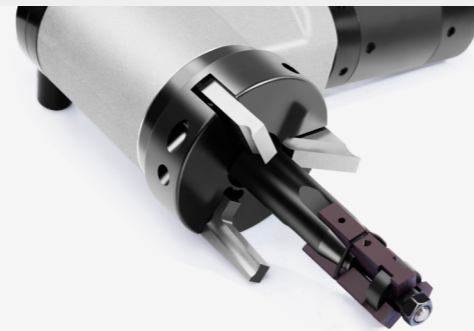
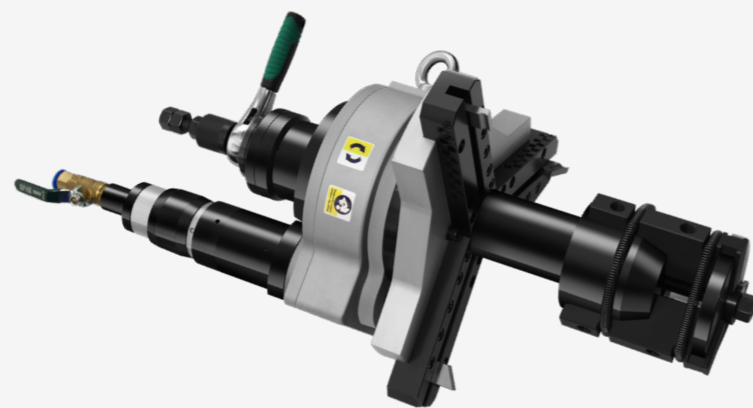


MODEL	Unit of Measure	Working Range	A	B	C	MACHINE WEIGHT	MACHINE WEIGHT	SHIPPING WEIGHT	PACKAGE SIZE
CS6	Std. - in.	2"-6"	7.3	20.2	7.6	41.5	41.5kg	67.5kg	28.3*25.2*11.4
	Metric - mm	50-168	185	512	192	91.3	91.3lbs	148.5lbs	720*640*290
CS8	Std. - in.	2"-8"	9.3	22.2	7.6	42.5	42.5kg	75.5kg	27.9*26.8*11.4
	Metric - mm	50-230	236	564	192	93.5	93.5lbs	166.1lbs	710*680*290
CS10	Std. - in.	4"-10"	11.1	24.1	7.6	44.5	44.5kg	79.5kg	27.9*26.9*11.1
	Metric - mm	114-275	283	612	192	97.9	97.9lbs	174.9lbs	710*685*280
CS12	Std. - in.	6"-12"	13.1	26.2	7.6	53	53kg	88kg	31.5*28.9*10.8
	Metric - mm	168-325	334	665	192	116.6	116.6lbs	193.6lbs	800*735*275
CS14	Std. - in.	8"-14"	15.2	28.3	7.6	56	56kg	94kg	33.1*11.1*11.2
	Metric - mm	219-377	386	719	192	123.2	123.2lbs	206.8lbs	840*280*285
CS16	Std. - in.	10"-16"	17.2	30.6	7.7	60	60kg	100kg	35.1*28.1*10.8
	Metric - mm	273-426	438	776	195	132	132lbs	220lbs	890*715*275
CS18	Std. - in.	12"-18"	18.5	31.8	7.7	65.5	65.5kg	106.5kg	34.6*29.1*11.4
	Metric - mm	300-457	469	807	195	144.1	144.1lbs	234.3lbs	880*740*290
CS20	Std. - in.	14"-20"	20.4	33.9	7.7	77	77kg	122kg	38.9*32.3*12.6
	Metric - mm	355-508	519	862	195	169.4	169.4lbs	268.4lbs	990*820*320
CS22	Std. - in.	16"-22"	22.4	35.8	7.7	79	79kg	127kg	38.9*36.2*13.4
	Metric - mm	400-560	570	910	195	173.8	172.8lbs	279.4lbs	990*920*340
CS24	Std. - in.	18"-24"	24.3	37.8	7.7	85	85kg	134kg	42.5*35.4*13.8
	Metric - mm	457-610	618	960	195	187	187lbs	294.8lbs	1080*900*350
CS26	Std. - in.	20"-26"	26.4	40.2	7.7	96	96kg	150kg	38.9*33.9*13.4
	Metric - mm	508-660	670	1020	195	211.2	211.2lbs	330lbs	990*990*340
CS28	Std. - in.	22"-28"	28.3	42.7	7.8	114	114kg	169kg	40.5*40.5*13.4
	Metric - mm	550-715	719	1084	198	250.8	250.8lbs	371.8lbs	1030*1030*340
CS30	Std. - in.	24"-30"	30.3	44.6	7.8	116	116kg	172kg	42.9*42.9*13.4
	Metric - mm	600-762	770	1134	198	255.2	255.2lbs	378.4lbs	1090*1090*340
CS32	Std. - in.	26"-32"	32.7	47.0	8.1	120.5	120.5kg	181.5kg	44.8*44.8*13.4
	Metric - mm	660-813	830	1194	207	265.1	265.1lbs	399.3lbs	1140*1140*340
CS36	Std. - in.	30"-36"	36.4	51.0	8.4	144.5	144.5kg	209.5kg	49.2*49.2*14.9
	Metric - mm	762-914	924	1296	214	317.9	317.9lbs	460.9lbs	1250*1250*380
CS42	Std. - in.	36"-42"	42.4	57.8	8.5	197.5	197.5kg	281.5kg	56.3*31.9*14.9 *2
	Metric - mm	914-1066	1077	1468	216	434.5	434.5lbs	619.3lbs	1430*810*380 *2
CS48	Std. - in.	42"-48"	49.1	64.8	8.5	244	244kg	347kg	64.5*35.8*14.9 *2
	Metric - mm	1066-1230	1248	1646	216	536.8	536.8lbs	763.4lbs	1640*910*380 *2



BT SERIES - ID BEVELING TOOL

- 5 standard models from 0.6"-14"
- Pneumatic or electric drive options available
- 3 leg wedge system self-centers in the pipe for accurate machining
- Ideal for beveling, facing or counterboring pipe or tubing
- Create a perfect weld prep in just minutes



MODEL	BT1	BT3	BT6	BT8	BT14
Machine Performance Ranges					
Working Range Inside Diameter To Outside Diameter	16-33.4mm 0.62-1.3"	25-88.9mm 1-3.5"	60-168.2mm 2.3-6.5"	65-219.0mm 2.5-8.6"	145-355.6mm 5.7-14"
Wall Thickness	≤8mm	≤15mm	≤20mm	≤20mm	≤20mm
	≤0.3"	≤0.6"	≤0.78"	≤0.78"	≤0.78"
Rotation Speed Pneumatic	0-66RPM	0-66RPM	0-61RPM	0-50RPM	0-18RPM
Rotation Speed Electric	0-65RPM	0-65RPM	0-65RPM	0-24RPM	0-20RPM
Rotational Drive System					
Pneumatic Motor					
Recommended Air Pressure	90PSI	90PSI	90PSI	90PSI	90PSI
	6.2BAR	6.2BAR	6.2BAR	6.2BAR	6.2BAR
Recommended Volume	30CFM	30CFM	30CFM	41CFM	41CFM
	0.9m3/Min	0.9m3/Min	0.9m3/Min	1.2m3/Min	1.2m3/Min
Electric Motor					
Electric Motor	BOSH, 1.38HP(1.05kw), 50/60HZ,220-240V			1.6HP(1.2kw)50/60HZ	2HP(1.5kw)50/60HZ
Measure					
Machine Weight					
Pneumatic, Complete Machine	15.4lbs	18.7lbs	35.2lbs	57.2lbs	101.2lbs
	7kgs	8.5kgs	16kgs	26kg	46kgs
Electric, Complete Machine	17.6lbs	19.8lbs	37.4lbs	61.6lbs	105.6lbs
	8kgs	9kgs	17kgs	28kg	48kg
Shipping Weight					
Pneumatic	14kg(30.8lbs)	15kgs(33lbs)	29kgs(63.8lbs)	41kg(90.2lbs)	68kgs(149.6lbs)
Electric	16kg(35.2lbs)	16kgs(35.2lbs)	31kgs(68.2lbs)	44kg(96.8lbs)	70kgs(154lbs)
Dimensions					
Length (L x W x H)	21*16*6.7"	21*16*6.7"	22*21.6*10"	22*11*10"	32.6*17*16"
	540*410*170mm	540*410*170mm	560*550*250mm	650*280*250mm	830*430*410mm