



17 Lafayette Ave.
Staten Island, NY 10301
718.873.6256

GENERAL NOTES - Unless otherwise noted
 1. All dimensions and field conditions to be verified in field.
 2. All plumbing & electric work to be performed by general contractor.
 3. All appliances provided and installed by others.
 4. Ventilation metal grilles provided by others.

Finish Notes - Unless otherwise noted

WD-01 T.B.D.
 WD-02 T.B.D.
 MF-01 1" x 1" Aluminum, Finish T.B. S.

Hardware - Unless otherwise noted

HD-01 Lift System: Blum Aventos HK.

Note:
 1. Knobs & lock sets by others

Equipment:

Abbreviations & Symbols

UM : Under mounted.
 Adj. : Adjustable.
 FP : Fixed Panel.

↔ : Grain Direction

▨ : Mirror

◻ : Stone

▧ : Backsplash

◻ : Gypsum Board

Signature: _____

Approved _____

Stamp

FOR APPROVAL
 10/11/20

Architect

General Contractor

REVISIONS

Date	By	Description
10/11/20	SER	1st Submittal For Approval

Project Name

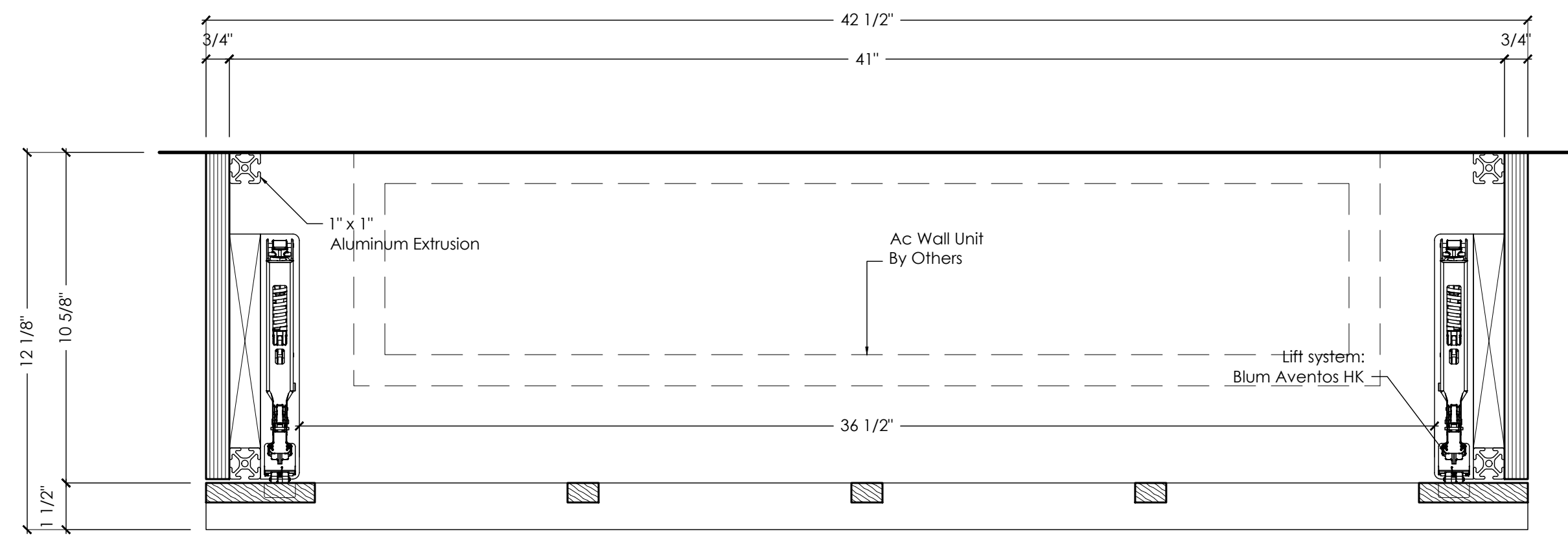
Drawing Title

AC Cover
Standard Size
 Floor Plans, Elevations
 & Sections

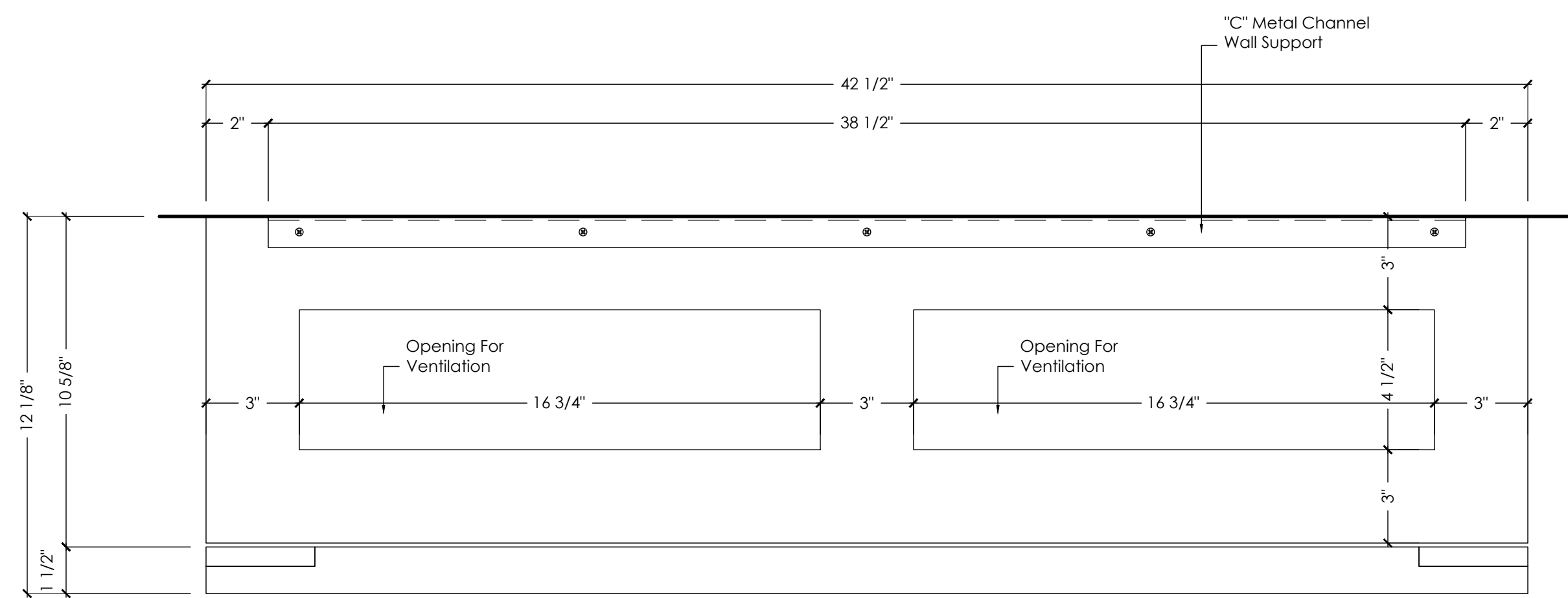
Date	09/24/20	Scale	As Noted
------	----------	-------	----------

Drawing by	SER	Drawing No.	
------------	-----	-------------	--

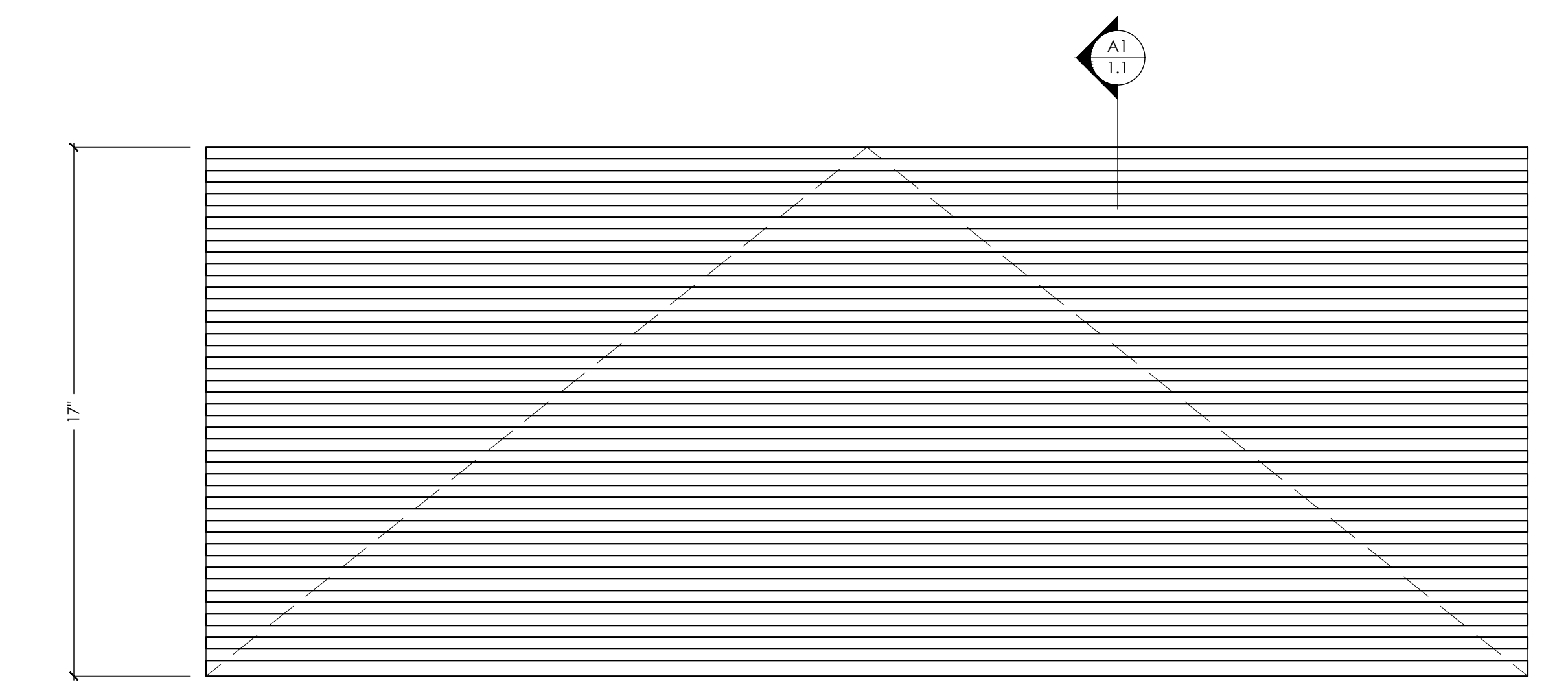
Project No.	20-16		
-------------	-------	--	--



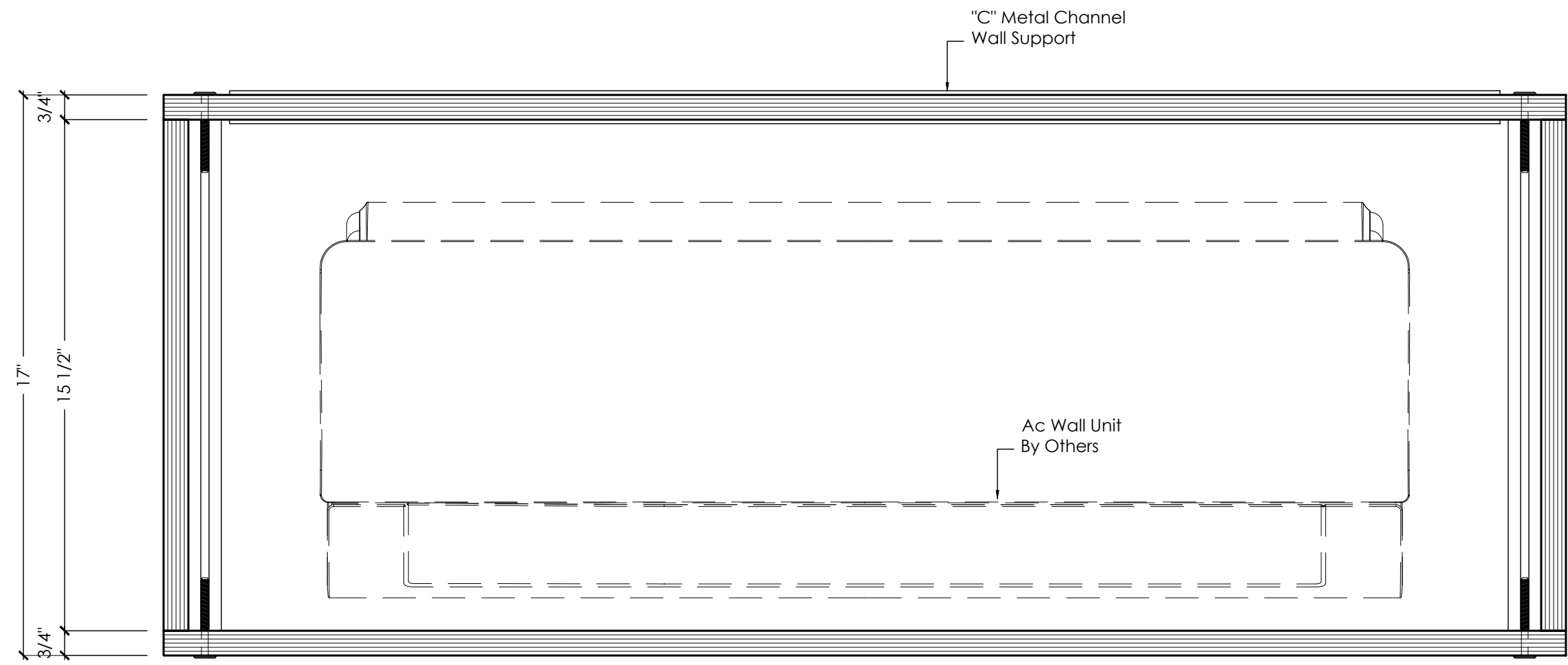
1 Floor Plan
 Scale: 3" = 1' - 0"



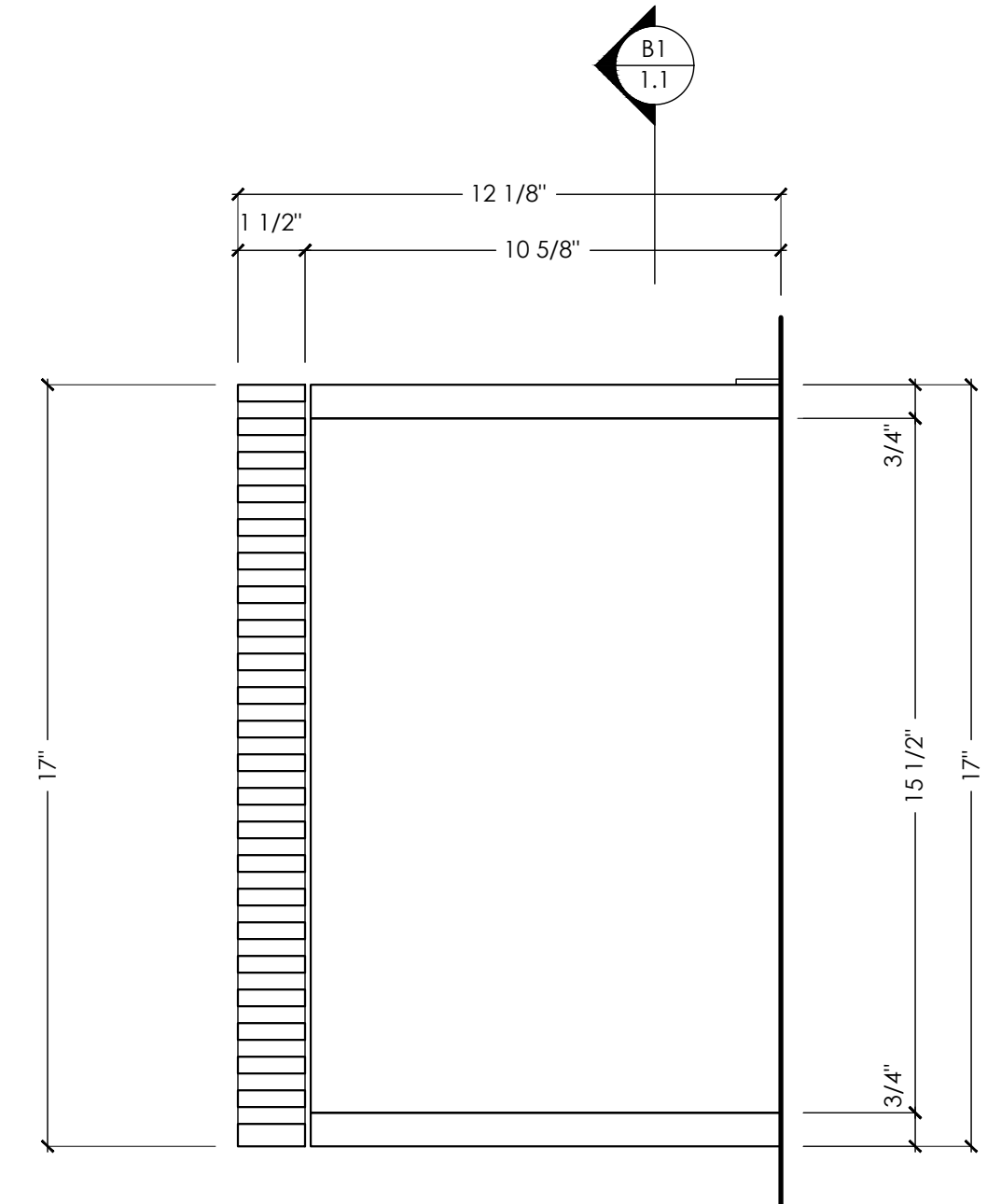
2 Floor Plan
 Scale: 3" = 1' - 0"



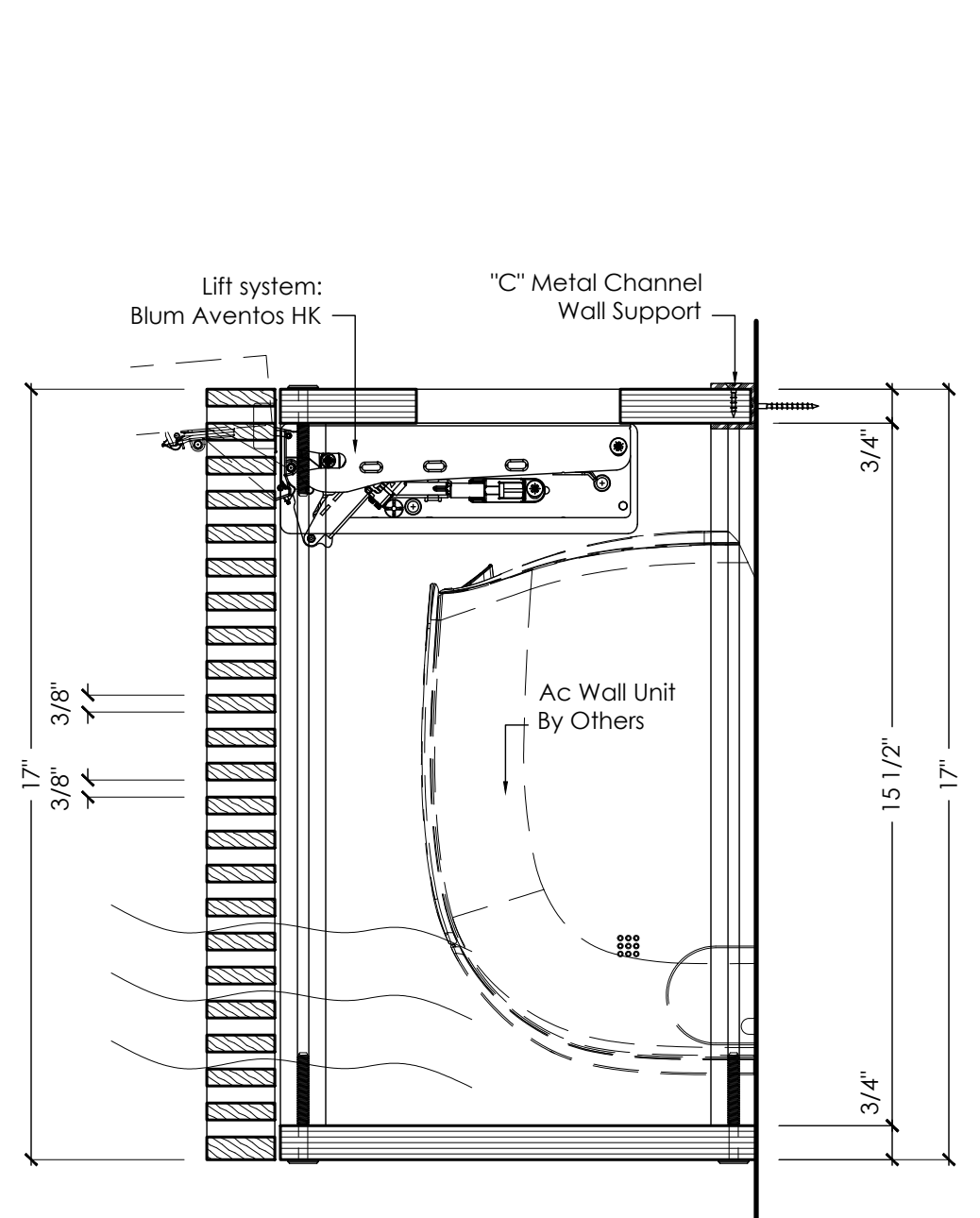
A Elevation
 Scale: 3" = 1' - 0"



B1 Section
 Scale: 3" = 1' - 0"



B Elevation
 Scale: 3" = 1' - 0"



A1 Section
 Scale: 3" = 1' - 0"