

LESSON SNAPSHOT

BOTTOM LINE:

Give your fears to God.

OBJECTIVE:

Kids will think of one real fear and give it to God in prayer.

KEY PASSAGE:

Matthew 6:25-34, Do Not Worry

MEMORY VERSE:

“Turn all your worries over to him. He cares about you.” 1 Peter 5:7 (NIV)

SUMMARY:

There are a lot of things that can make us afraid: moving to a new place, parents fighting, bullies, and sickness are all scary things. But God tells us that no matter how scary something is, we can pray to him and he will be with us and help us during the scary times. Then we don't have to worry and we don't have to be afraid.

SIMPLE PRAYER:

Dear God,

Take our fears, and let us know you are with us!

In Jesus' name,

Amen

MEMORY VERSE

“Cast all your anxiety on him because he cares for you.” 1 Peter 5:7 (NIV)

“Turn all your worries over to him. He cares about you.” 1 Peter 5:7 (NIRV)

LARGE GROUP:

Divide the room into girls and boys. Have the boys read the verse aloud, and then have the girls read it aloud. Who can read the loudest?

SMALL GROUP:

Look at the verses surrounding this passage, or read the whole chapter so you can hear this verse in context. What was happening? How do the verses before and after the memory verse help you understand its meaning?

SKIT

NOTHING TO FEAR HERE

ITEMS NEEDED:

A bed, two not-so-scary monster costumes

CHARACTER BREAKDOWN:

1F

2M

CHARACTERS:

Sara

Green Monster

Blue Monster

Sara is sleeping in bed. The green monster enters.

SARA: Oh no! It's the green monster! Have you come to eat me?

GREEN MONSTER: No.

SARA: No? But you're the green monster! Don't you eat little girls?

GREEN MONSTER: Of course not.

SARA: Why not?

GREEN MONSTER: Because I'm not really real. I'm a fake. Completely imaginary.

SARA: You mean...you mean you were just make believe?

GREEN MONSTER: That's right, Sara. I'm not for real.

Blue Monster enters.

SARA: Oh no! It's the blue monster!

SKIT

BLUE MONSTER: Yes, it is me.

SARA: Have you come to bite me?

BLUE MONSTER: Of course not! I can't bite you. I'm not real.

SARA: You mean you're not real either?

BLUE MONSTER: Nope.

SARA: I can't believe it!

BLUE MONSTER: Oh come on, you really think big blue monsters like me are real?

SARA: Are you kidding? I worry about it all the time.

BLUE MONSTER: That's so silly. You don't need to worry about me.

GREEN MONSTER: Or me.

SARA: Why not?

BLUE MONSTER: Because someone more powerful than us is real, and he can protect you from anything that scares you - even things that go bump in the night.

GREEN MONSTER: October is a time when we might all see some scary or not so scary costumes at the store or on the streets. Some people use these scary things for fun, but it's not so fun when the scares are real.

BLUE MONSTER: That's why we want to remind you that you do not have to be afraid of things that go bump in the night - real or imaginary.

GREEN MONSTER: God is looking out for you. He knows what you need. He knows what concerns you. He knows what scares you.

BLUE MONSTER: When you feel afraid, don't run and hide. Get on your knees and pray.

GREEN MONSTER: God knows what's on your mind and in your heart, even before you tell him.

SKIT

GREEN MONSTER: He will take away your fears and worries.

BLUE MONSTER: So you need not be afraid of pretend monsters like us!

GREEN MONSTER: That's right, and you don't have to be afraid of real things that are scary either. Remember that whenever you feel afraid, just pray, and God will always be there to keep your fear away!

OBJECT LESSON OR KIDS SERMON

ITEMS NEEDED:

A (not too spooky) Halloween mask

If you went out on Halloween night, and you saw someone your size walking down the street with this face, what would you do?

If you went out on Halloween and saw this face on someone adult-sized, what would you do?

This mask may look a little scary, but anyone with this face on October 31 is not out to get you. They're out to get candy. In other words, it's nothing to fear. Just another kid - maybe a big kid, but still a kid - with a bag full of miniature fun size bars.

There are things in this world that are truly scary. There are things that keep kids up at night and things that keep adults up at night. But we don't have to let fear control us. We can give our fears to Jesus. Jesus will take our worries, our doubts, and our fears, and he will give us peace.

Jesus will always be with us, in good times, in bad times, and even scary ones. We don't have to be afraid. We can trust him to work it out for our good.

LARGE GROUP GAME

FACE OFF

ITEMS NEEDED:

Two costume masks

INSTRUCTIONS:

Choose two players for this game. Put the masks on the kids backwards. When you say go, the kids will race to get their mask turned around on their head - without using their hands. The first person to completely turn theirs around is the winner.

VARIATION:

An alternate game would be to give the kids some facepaint and have them decorate their face or cheek as a pumpkin - without the use of a mirror to guide them.

WHAT'S THE POINT?

We have nothing to fear if we know Jesus.

LARGE GROUP LESSON

BOTTOM LINE:

Give your fears to God.

OBJECTIVE:

Kids will think of one real fear and give it to God in prayer.

KEY PASSAGE:

Matthew 6:25-34, Do Not Worry

INTRO:

Every fall, for one night only, all our worst nightmares come off the TV screen and step foot into the real world. For one night every scary face, every evil name takes to the streets of our neighborhoods, roaming from house to house. We see classic monsters like zombies, vampires, wolfmen, and ghosts. We see modern horrors with innocent sounding names like Michael, Freddy, and Jason. We even see terror from outer space, from little green men to Sith Lords, moving through the dark night on a single minded mission.

We see everything from Count Dracula to Freddy Fazbear on our street. We pass them without the slightest hint of fear, without even thinking about running away. Why? Because we know underneath that creepy, monstrous face is another kid just like us. That's not an evil mechanical bear. That's no vampire. That's not really Darth Vader. That's just another trick-or-treater searching for candy.

In spite of all the spooky music, the ghostly decorations, and frightening masks, Halloween might be the least scary night of the year! It's the night we face our imaginary fear and laugh, knowing that it's all in good fun. When you see an evil clown walking down the street, you know that's not really an evil clown. It's someone else in costume having a good time and laughing at his own worst fears.

The monsters we see on Halloween are not real - and thank goodness! Life has enough worries without those classic movie monsters coming to life. Real worries can be even scarier than ghosts and goblins. Real life brings us fears like - How will I do on my test? How will I make friends at a new school? What will the results of my grandmother's medical tests be? What will happen if my Dad loses his job?

There's no shrugging off these fears. They are real, and they are scary.

LARGE GROUP LESSON

But with some help from above, we can face those fears and find something better. We can find peace.

READ MATTHEW 6:25-34

MAIN POINT:

Jesus is speaking to some very real fears in this passage. He doesn't minimize them, because these are real issues. We all want security. We all want to know we will have a place to sleep, food to eat, and clothes to wear. But Jesus tells us we need to give all of our fears to Him. God does not want us to live in fear. He wants us to live in faith.

God points to the flowers and the birds. You never see flowers worrying about the sun or the rain. You won't hear a patch of daisies saying, "If it doesn't rain, we're all going to die!" God gives them what they need so they can grow and thrive. God gives the birds everything they need as well, even without asking. They trust the Lord, and so can we.

God wants us to trust him. He wants us to acknowledge our fears and give them to him. God will provide. He will give us our daily bread, and one thing more. He will give us peace because we know he is in control!

DRIVE IT HOME:

If we did a poll in here and asked people what scares you, some of you would probably name the creeps and monsters we talked about earlier. Some of you would add other typical childhood fears like snakes and spiders, or riding your bike, or just being in the dark. Some of you might be experiencing fears like Jesus mentioned. Maybe you have a loved one suffering from a long-term illness. Maybe you're wondering when your Mom and Dad will stop fighting. Maybe you're dealing with a bully at school who will not go away. Maybe you're wondering where you will be living next month.

It's a helpless feeling knowing there's nothing you can do to control these things, but we don't have to face them alone. We give those fears to God. We can face them knowing God is with us and he knows our problems. We can claim the promises of the Bible. God knows us. He loves us. He knows our needs. He works things out for our good. And one day, he's going to take us to a better place, a place free of worry and fear, where we will live forever with Him!

Imaginary fears can be fun. On Halloween we can enjoy spooky movies, spooky Halloween costumes, and do the Thriller dance with a smile. Real fears aren't so fun. But even in scary times, we can smile and dance, knowing that God is in control.

Give God your worries. Let God know you trust him. God will grow your faith, and he will give you peace in scary times.

LARGE GROUP LESSON

CLOSE WITH A SIMPLE PRAYER:

Dear God,

Take our fears, and let us know you are with us!

In Jesus' name,

Amen

SMALL GROUP DISCUSSION (K-2ND)

ICEBREAKER:

What bug are you most afraid of?

MEMORY VERSE ACTIVITY:

1 Peter 5:7

Look at the verses surrounding this passage, or read the whole chapter so you can hear this verse in context. What was happening? How do the verses before and after the memory verse help you understand its meaning?

SMALL GROUP GAME/ACTIVITY:

Have all the kids put a paper plate on top of their head and hold it. Give them all a crayon, and have them draw a jack-o-lantern on the plate on their head. Compare and see who does the best blind drawing.

DISCUSSION QUESTIONS:

Read Matthew 6:25-34

What do flowers and birds worry about?

Why don't they worry about these things?

What does God want us to do with our fears?

What are some real fears kids have?

What is one fear you want to give to God today?

SIMPLE PRAYER:

Dear God,

Be with us so we do not have to be afraid!

In Jesus' name,

Amen

SMALL GROUP DISCUSSION (3-5TH)

ICEBREAKER:

What bug are you most afraid of?

MEMORY VERSE ACTIVITY:

1 Peter 5:7

Look at the verses surrounding this passage, or read the whole chapter so you can hear this verse in context. What was happening? How do the verses before and after the memory verse help you understand its meaning?

SMALL GROUP GAME/ACTIVITY:

Have all the kids put a paper plate on top of their head and hold it. Give them all a crayon, and have them draw a jack-o-lantern on the plate on their head. Compare and see who does the best blind drawing.

DISCUSSION QUESTIONS:

Read Matthew 6:25-34

Why does Jesus tell us not to worry?

How does God care for flowers and birds?

What are some real fears kids have?

What can God do for us when we are afraid?

What is one fear you want to give to God today?

SIMPLE PRAYER:

Dear God,

Be with us so we do not have to be afraid!

In Jesus' name,

Amen

POWERPOINT REVIEW GAME

FILL IN THE BLANKS

Therefore I tell you, do not _____ about your life, what you will eat or drink; or about your body, what you will wear.

WORRY

Look at the _____ of the air; they do not sow or reap or store away in barns, and yet your heavenly Father feeds them. Are you not much more valuable than they?

BIRDS

And why do you worry about _____? See how the flowers of the field grow. They do not labor or spin. Yet I tell you that not even Solomon in all his splendor was dressed like one of these.

CLOTHES

_____ first his kingdom and his righteousness, and all these things will be given to you as well.

SEEK

Do not worry about _____. Each day has enough trouble of its own.

TOMORROW



MAKE IT STICK

5 Simple Ways You Can Make This Lesson Stick With your Kids

Fear Not Lesson

THIS WEEK'S LESSON: FEAR NOT



IN THE CAR:

Ask your child what they learned about this week on the drive home:

There are a lot of things that can make us afraid: moving to a new place, parents fighting, bullies, and sickness are all scary things. But God tells us that no matter how scary something is, we can pray to him and he will be with us and help us during the scary times. Then we don't have to worry and we don't have to be afraid. Matthew 6:25-34, Do Not Worry



HANGING OUT:

Make this week's lesson real:

Ask your kids why they don't worry about the scary costumes they pass while trick-or-treating. Then ask them how God can take away their other fears.



AT DINNER:

Here are some great discussion starters:

- How does God take care of the flowers and birds?
- How can God take care of our fears?
- What do we need to do to give our fears to God?



AT BEDTIME:

Quiz your child on this week's memory verse:

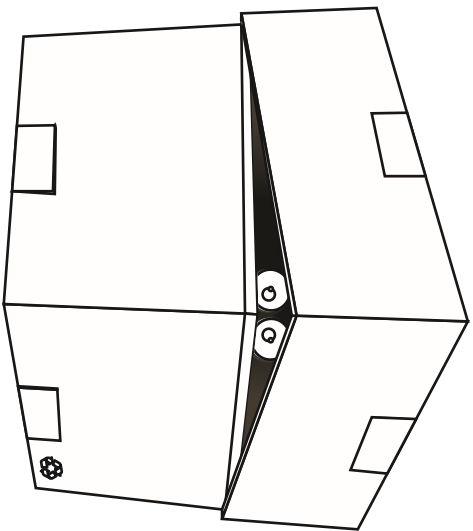
"Therefore, if anyone is in Christ, the new creation has come: The old has gone, the new is here!" 2 Corinthians 5:17 (NIV)



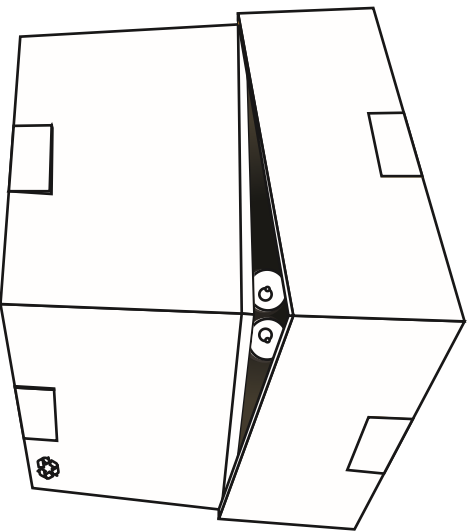
PARENT TIME:

What you need to know:

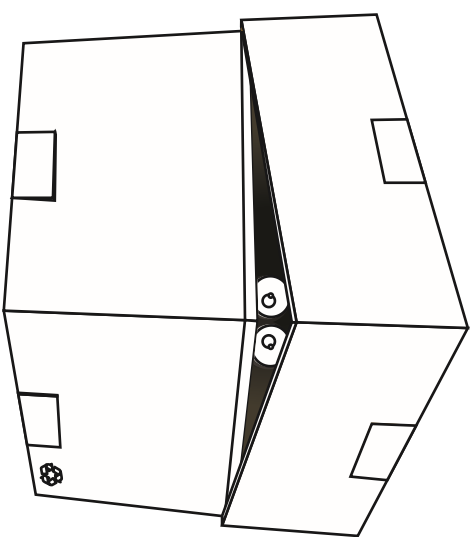
Life has fears that are scarier than any monster you'll see at Halloween. We can give these fears and worries to God. He will give us peace, and he will work things out for our good. Talk to your kids about things they are afraid of, and pray with them that God will give them comfort.



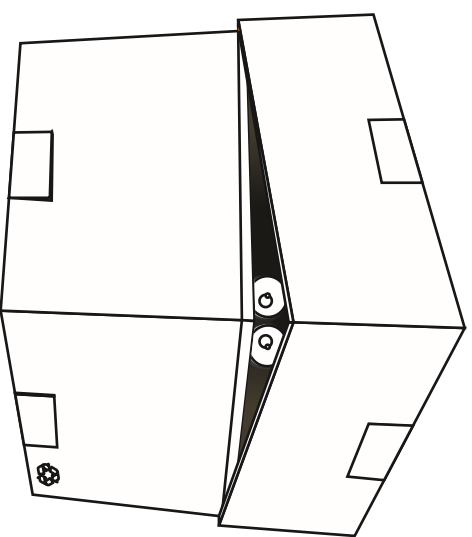
“Turn all your worries over to him. He cares about you.”
- 1 Peter 5:7 (NIRV)



“Turn all your worries over to him. He cares about you.”
- 1 Peter 5:7 (NIRV)



“Turn all your worries over to him. He cares about you.”
- 1 Peter 5:7 (NIRV)



“Turn all your worries over to him. He cares about you.”
- 1 Peter 5:7 (NIRV)

CRAFT ACTIVITY

Have the kids decorate trick-or-treat bags. Put the memory verse on the bag as a reminder that we can give our real fears to God!