

SuperTow Hydraulic Payout Winch Schematic

2002@TowMeUp.com all rights reserved

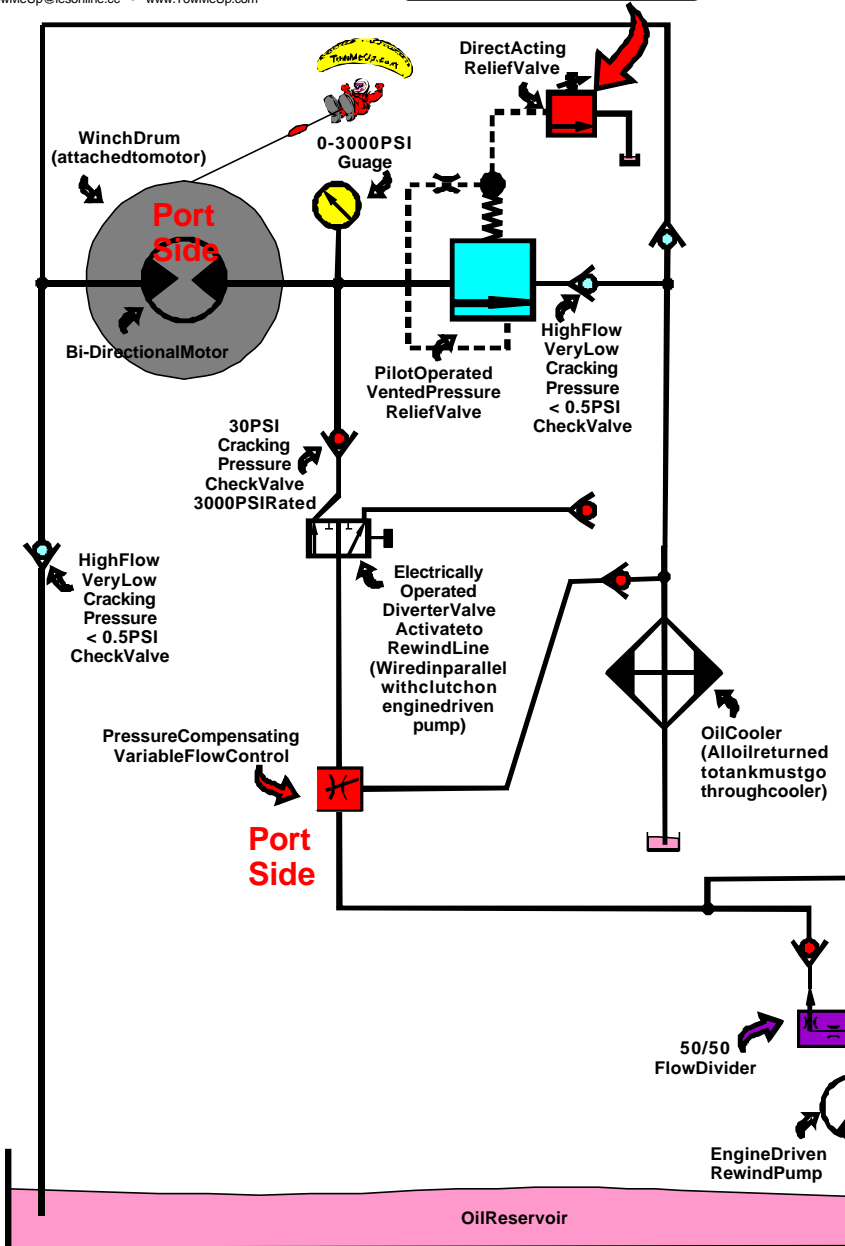
TowMeUp.com

23102NE3rd Avenue, Ridgefield, WA, USA 98642
 (360)887-0702 Voice • (360)887-1930 Fax
 TowMeUp@iesonline.cc • www.TowMeUp.com



WARNING!

This circuit shows the use of a specially modified fast adjusting 3000PSI relief valve available **ONLY** from TowMeUp.com. **DONOT** substitute a standard 0-3000 PSI 5 turn relief valve for this component, or the winch will be dangerously unsafe!



SuperTow Hydraulic Payout Winch Schematic

2002@TowMeUp.com all rights reserved

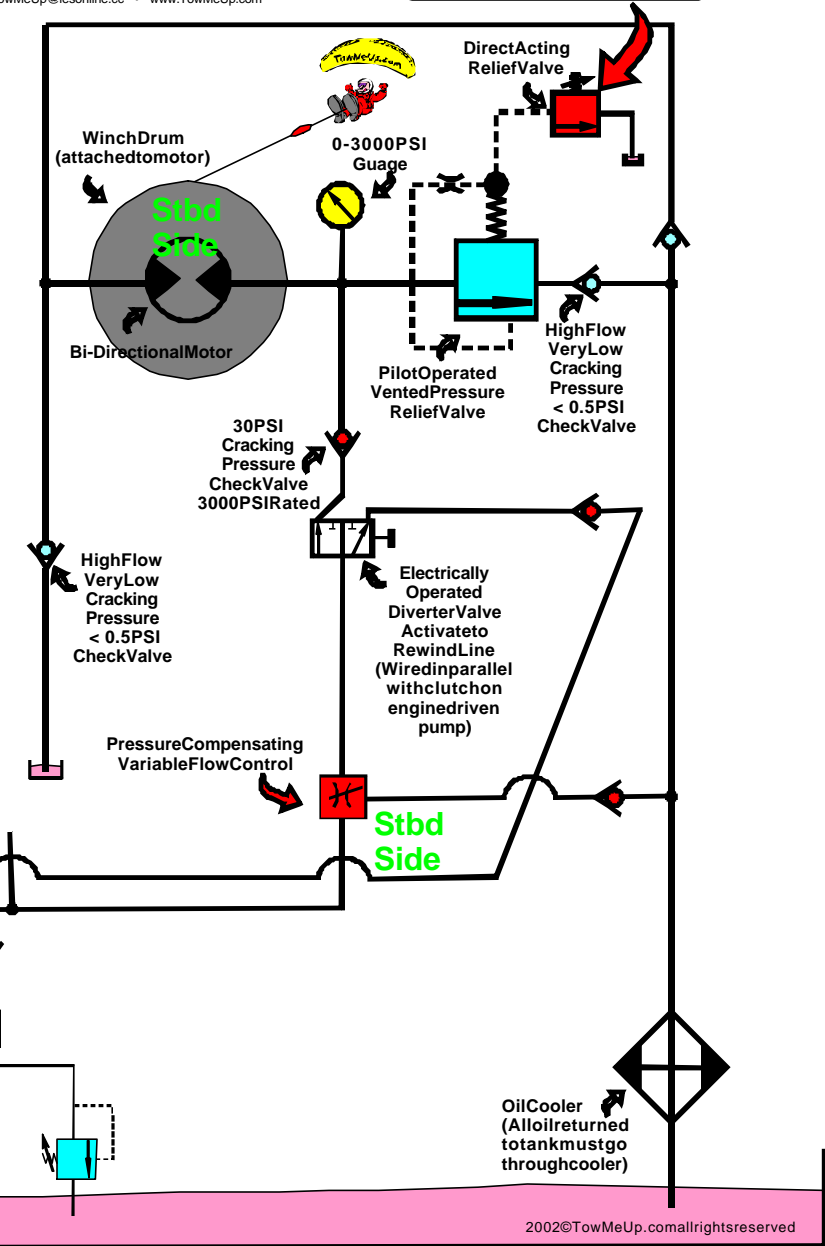
TowMeUp.com

23102NE3rd Avenue, Ridgefield, WA, USA 98642
 (360)887-0702 Voice • (360)887-1930 Fax
 TowMeUp@iesonline.cc • www.TowMeUp.com



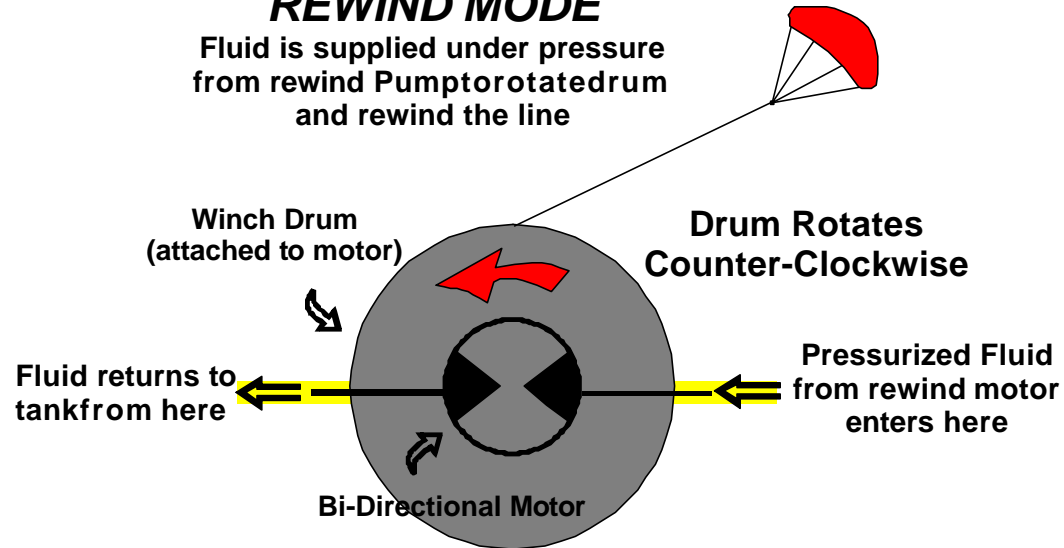
WARNING!

This circuit shows the use of a specially modified fast adjusting 3000PSI relief valve available **ONLY** from TowMeUp.com. **DONOT** substitute a standard 0-3000 PSI 5 turn relief valve for this component, or the winch will be dangerously unsafe!



WINCH OPERATING IN REWIND MODE

Fluid is supplied under pressure from rewind Pump or rotated drum and rewind the line



WINCH OPERATING IN PAYOUT MODE

Drag From Pilot causes drum to rotate Clockwise

