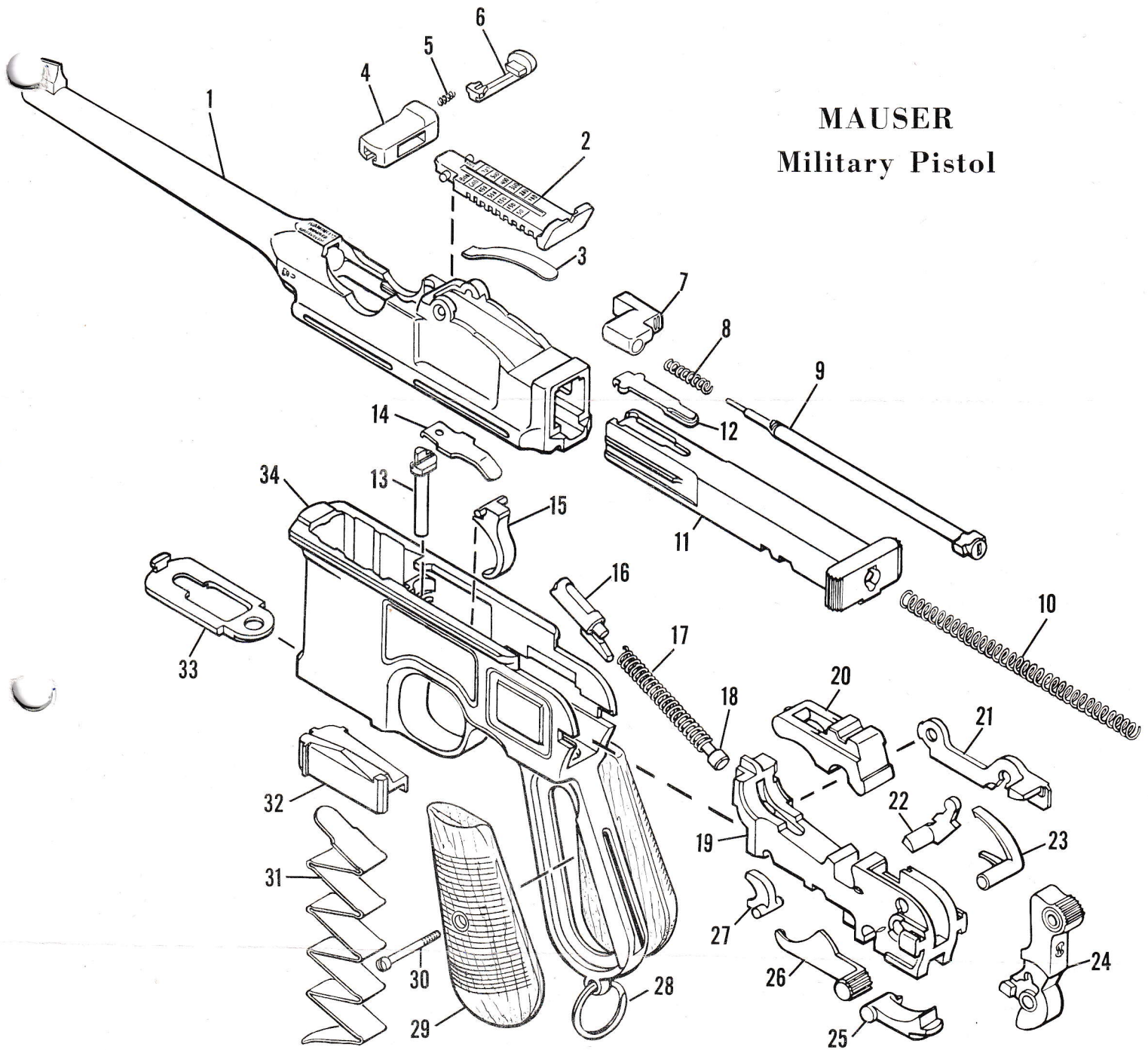


MAUSER Military Pistol



(PARTS DESCRIPTIONS AND PRICES ON ATTACHED PAGE)

PLEASE NOTE: The above drawing was produced for the exclusive use of Harold C. Bruffett, and may not be reproduced in whole or part, in any manner. Copyright pending.

P. O. BOX 3667

HAROLD C. BRUFFETT

HIGHLAND PARK 3, MICHIGAN

MAUSER MILITARY PISTOL REPAIR PARTS, ACCESSORIES

NOTE: All parts are original and come from Mauser pistols in NRA GOOD or better condition. Since the parts come from used pistols, some wear must be expected, but we screen our parts carefully and ANY part showing excessive wear is thrown out, NOT sold to you. It is perfectly legal to order and receive repair parts through the mails, EXCEPT frames (receivers) which we can ONLY ship to a Federally licensed dealer. Please use our stock number and description of the part you are ordering. This will speed up your order and prevent us sending you the wrong part. No C.O.D. shipments. Send check or money order with your order. We are sorry, but we cannot discount our parts to dealers. Too hard to come by.

PART NUMBER	DESCRIPTION OF PART	PRICE
M-1.	Barrel and extension. (write us on availability of these)	\$ 15.00
* M-2.	Rear Sight Bar 1000 meters ONLY	6.50
M-3.	Rear Sight Bar Spring (fits under sight bar)	3.50
M-4.	Rear sight slide	4.50
M-5.	Rear sight slide spring	3.00
* M-6.	Rear sight slide lock, 1000 meter only	5.00
M-6A.	Rear sight complete, less sight bar spring	15.00
M-7.	Bolt stop	8.50
M-8-9.	Firing Pin with spring, NEW, German made, superior to originals	12.00
M-10.	Recoil spring	3.00
M-11.	Bolt, stripped	8.00
M-12.	Extractor, later model, short and broad	7.50
* M-12A.	Extractor, Old Model, long and slender	9.00
M-13.	Magazine plunger	3.50
M-14.	Trigger spring	4.00
M-15.	Trigger	5.00
M-16.	Rocker plunger	3.50
M-17.	Main spring	3.00
M-18.	Main spring plunger	3.00
M-19.	Lock mechanism frame	7.50
M-20.	Bolt locking block	4.75
M-21.	Sear arm	6.50
M-22.	Sear	5.50
M-23.	Sear spring and hammer pivot	7.50
M-24.	Hammer	6.00
M-25.	Lock frame stop	3.50
M-26.	Safety lever	5.00
M-27.	Rocker coupling	4.00
* M-28.	Lanyard ring, 2 for	1.00
* M-29.	Grips, good, will show considerable usage	6.50 pr.
* M-29A.	Grips, NEW, of Franzite composition, black checkered, target style	7.50
M-30.	Grip screw	1.50
M-31.	Follower spring	6.50
M-32.	Follower	8.50
M-33.	Magazine floor plate	8.00
M-34.	Frame, stripped, Federal licensed dealers ONLY	8.50
M-35.	Loading clip, minimum order of 2, you MUST order not less than 2, each	1.50
M-38	Shoulder stock-holster (write us on these before ordering. \$ 35 to \$ 50 each, depending on condition) (CONTINUED ON OTHER SIDE).	

Explanation on items marked (*) on other side. Please read.

M-2. These rear sights are in the 1000 meter range ONLY. We do not have the 500 meter rear sights (for the 9mm Mauser.

M-6. These sight locks will NOT fit the 500 meter sights.

M-12A. These long, slender Old Model extractors are hard to find but we usually have some on hand.

M-28. Lanyard rings. The originals are usually so brittle, they break up when you try to remove them. These I have are exact replicas of the originals.

M-29A. These Franzite grips are ideal for target shooting as they enable you to get a good grip on the handle. Of black composition, checkered, they completely cover the metal handle and are quite attractive. Especially desirable for a man with large hands (like me) you can get a firm grip on the pistol.

We have a few parts for the stock-holster, such as hinges, metal attaching irons, etc. Write your needs and we will quote a price.

We also have parts for the 1910 Pocket Mauser, in both the .25 and .32 caliber model. Tell us what you need and we will quote a price. If you don't know the name of the part, send us .25¢ and we will send a drawing of the entire parts of these pistols. This will enable you to supply us with the name of the part needed.

We also sell parts for the Luger and military P-38 pistols. Just send us .25¢ and tell us which list you want, or if you want both, send .50¢. Each list is completely illustrated, showing and naming each part and pricing same.

PLEASE, send .50¢ with each order for postage. If you don't send the postage, it will only delay your order.

ON SPECIAL ITEMS, LIKE STOCK-HOLSTERS, LEATHER HOLSTERS, "HARNESS" FOR THE STOCK HOLSTER, PLEASE WRITE US AND INQUIRE. THESE ARE HARD THINGS TO FIND AND THERE IS MUCH DEMAND FOR THEM.

PLEASE SEND YOUR CHECK OR MONEY ORDER WITH EACH PURCHASE. WE DO NOT SHIP C.O.D. NOR DO WE SHIP ON "OPEN ACCOUNT". NO CREDIT. WE HAVE SEVERAL DEALERS OWING US NOW AND DON'T EXPECT TO BE ABLE TO EVER COLLECT FROM THEM. BE SURE TO INCLUDE POSTAGE.

IN ORDERING, PLEASE PRINT YOUR NAME AND ADDRESS. SOMETIMES IT IS IMPOSSIBLE TO READ HANDWRITING THAT IS POOR OR HURRIED. SO PLEASE PRINT. IT HELPS US GIVE YOU BETTER SERVICE. DON'T FORGET TO GIVE US YOUR ZIP CODE. THE POSTOFFICE REQUIRES IT ON ALL PARCEL POST SHIPMENTS.

WE WILL BE HAPPY TO ANSWER ANY INQUIRY YOU MAY HAVE ABOUT OUR PARTS, ONLY BE SURE TO SEND ALONG A STAMPED, SELF ADDRESSED ENVELOPE IF YOU WISH A REPLY. THIS IS COMMON COURTESY.

P. O. BOX 3667

HAROLD C. BRUFFETT ~~XXXXXXXXXXXXXXXXXXXX~~ HIGHLAND PARK, MICHIGAN 48203

P.S. A bit of advice: DON'T dry fire the Military Mauser. This causes more broken firing pins than any other reason. HCB