

# Mitchell's Mausers

## Owners Manual

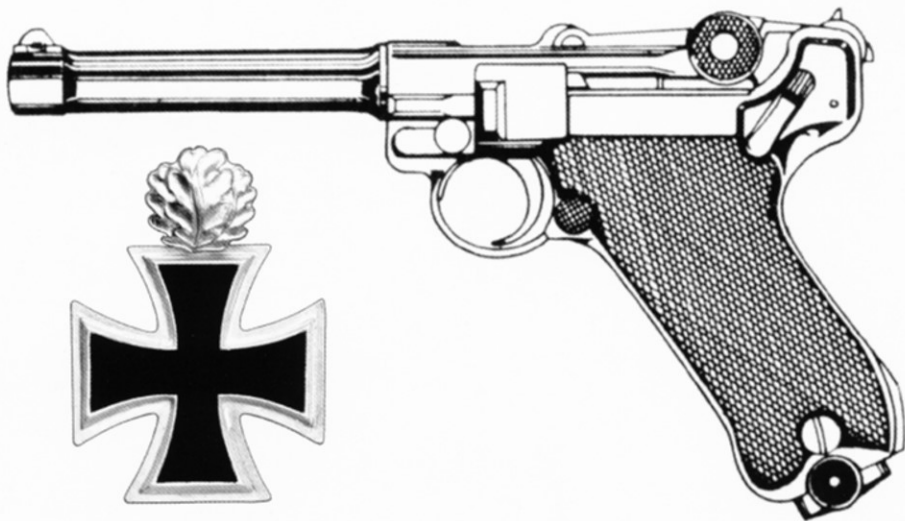
for the

Care and Use

of

*Georg Luger's legendary*

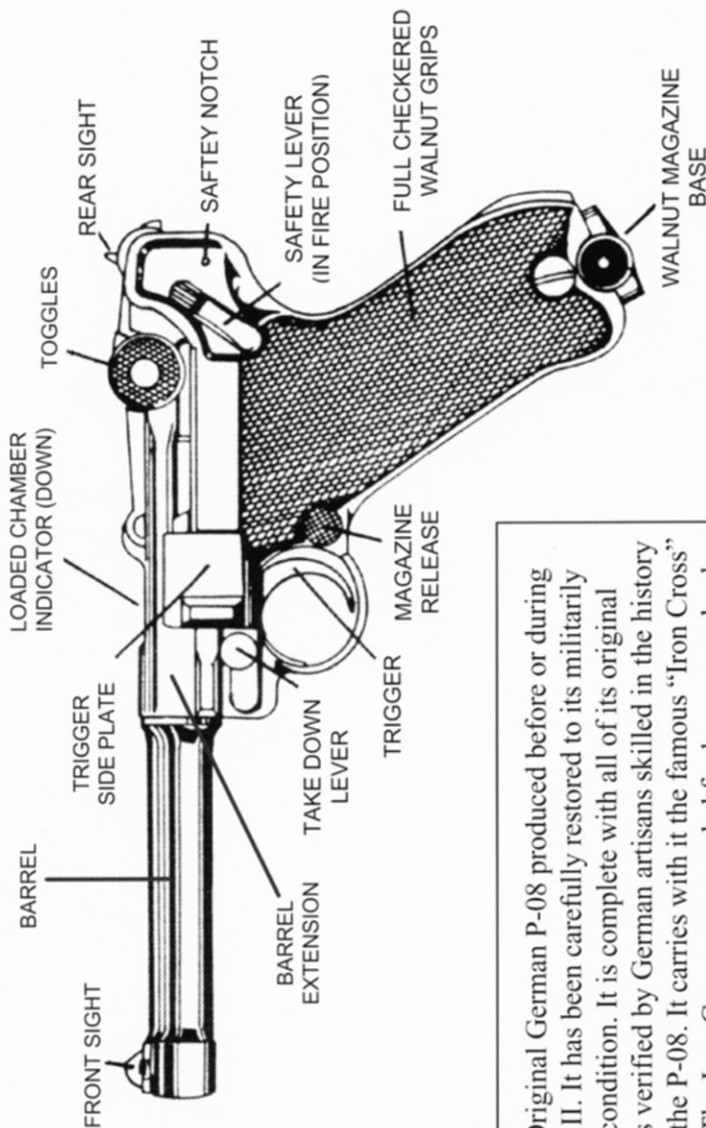
## **Pistol Parabellum P-08**



Manufacturer: \_\_\_\_\_ Serial Number: \_\_\_\_\_

This Instruction Manual should always accompany the pistol and be transferred with it upon change of ownership. Become knowledgeable with the instructions contained here and review the entire booklet each time you intend to use your pistol.

## Feature diagram of the P-08



This is an Original German P-08 produced before or during World War II. It has been carefully restored to its militarily acceptable condition. It is complete with all of its original proof marks verified by German artisans skilled in the history and lore of the P-08. It carries with it the famous "Iron Cross" medallion. The Iron Cross was awarded for bravery and valor in combat in the air or on the ground.

## *Congratulations . . .*

on your purchase of one of the most contemporary designs in the fascinating world of firearms. Few other products, of any type, have a silhouette as recognizable as the famous Pistol Parabellum P-08.



---

### CONTENTS

Feature Diagram of the P-08.....	2
Introduction.....	4
Background.....	4
General Features.....	5
Safety Features.....	6
Sights.....	6
Magazine.....	7
Loading and Shooting Your P-08.....	7
Care and Cleaning.....	12
Spare Parts and Accessories.....	13
Warranty Service.....	13

## Pistol Parabellum P-08

### **Introduction:**

As a responsible firearms owner, you must read this owner's manual thoroughly and become completely comfortable with it before you handle your pistol.

Then examine your pistol carefully after you've read this manual and make sure you understand all of the basics associated with it. Your pistol is one of the best designs ever made. It led the world into auto-loading pistols. It will give you a lifetime of reliable service, security and pride of ownership. You, the owner, must use it intelligently, keep it clean and call us with any questions.

The Pistol Parabellum P-08 traces its roots right back to the U.S.A., even though it is generally better known by its German background. In its background are such famous names as Winchester, Hugo Borchardt and, of course, Georg Luger, after whom the Pistol Parabellum is best known.

### **A Brief Model Background:**

The P-08's ancestry goes to its original source which was designer/engineer Hugo Borchardt who worked for Winchester in the late 1800's. He created the well-known Borchardt pistol which was a true, but ungainly looking, self-loading pistol.

History, becoming somewhat clouded with time, suggests that Mr. Borchardt's design eventually evolved into the Pistol Parabellum P-08 by none other than a German designer named Georg Luger.

The P-08 was ultimately produced in a 4" barrel version and is known as the Army Model. In its 6" barrel version it is known as the Navy Model and in an 8" barrel version it is known as the Artillery Model. In addition, there is the famous Luger Carbine, albeit rare.

The various styles were defined by the military which adopted the models for their several service branches.

And the rest, as they say, is history!

Your P-08 is now an extremely valuable collector's pistol. It has, among other things, matching numbers on all of the main parts.

It comes in a Presentation Grade walnut case that is serially numbered to match the P-08. The medallion in the inside lid is serially numbered to match the P-08 and it has the correct neck-ribbon appropriate to the medallion as awarded at the time. Be careful not to lose any serially numbered component because in doing so you stand to seriously affect its collector value.

### **General Features:**

The Pistol Parabellum P-08 is a magazine-fed, recoil operated, closed-bolt, striker-fired, semi-automatic pistol. It rests naturally in the hand by virtue of its distinctive shape and thus becomes natural to point and is very accurate.

While the P-08, in any of its models, has many assets and features, perhaps its most endearing attribute is its enduring reliability and classic performance.

Your pistol, like its contemporary, the Colt 1911, proved itself on the battlefield.

It is now a real Presentation Grade prize. While the P-08 may be used in any normal manner for sport shooting, its real value now lies in its history and collector value.

Your Presentation Grade P-08 may well show some early battle damage, depending on the year it was produced, which we have chosen not to remove. Your P-08 is not new in the classic sense. It has been restored to military-new, serviceable condition by skilled artisans from the factory. If it had to, it could "go to war" right now!

You may shoot your pistol as much as you like. Doing so, however, exposes your P-08 to normal wear and tear and will affect its collector value if you are not extremely careful. New nicks and scratches, beyond any battle damage, will affect the value of your P-08, so be careful.

# Mitchells Mousers

---

## Safety Features:

The P-08 has a striker fired mechanism and as such has unique and reliable safety features. *It will not fire unless you intend to fire it.*

It has a safety lever on the left rear side of the frame which moves forward and rearward in an arc. (See the drawing on the inside front cover.) In its forward position it is in the 'fire' position. In the forward position the sear block is retracted into the frame and not visible.

In the rear position, the sear block is raised in view and the P-08 cannot fire.

When the sear block is raised, the sear itself is actually blocked, but do not stress the trigger mechanism by pulling the trigger with the safety on; you can break it if you are strong enough.

A highlight of the safety features of the P-08 is the "loaded chamber indicator"! It is actually the extractor itself. When the chamber is loaded, the extractor is forced forward while it is hooked onto a round in the chamber. As such, it is visible and can be felt because it protrudes above the surface of the smooth breech bolt. Regardless of the location of the safety lever, the loaded chamber indicator will tell you whether or not there is a round in the chamber. It will not tell you whether the pistol is safe; it will only tell you if there is a round in the chamber. The safety lever will tell you if the pistol is on 'safe' or 'fire', but it will not tell you if there is a round in the chamber. Utilized together, the safety lever and the loaded chamber indicator make the P-08 one of the safest pistols in the world.

## Sights:

The P-08 is equipped with sturdy combat sights making the P-08 amazingly accurate. The rear sight is a fixed Vee-type notch and is built into the rear toggle link. The front sight is an *inverted* Vee-type notch and is drift adjustable. The correct sight picture is when the front inverted Vee is aligned within and level with the rear Vee notch. You should learn just which sight picture is correct for you. It is affected by your particular grip style as well as such factors such as bullet weight and type. You will learn which is best for you by trying several different bullet types. Always try to keep the same grip

pressure each time you shoot. Do not 'dry fire' the P-08 for practice, but do store your pistol in the 'fired' position.

### Magazine:

Your P-08 has a box magazine which can hold 8 rounds of 9mm Luger ammunition. You must use factory new ammunition only; no re-loads. Your gun is designed to function best with any new 9mm Luger Full-Metal-Jacket ammunition. This ammunition is also called Military Ball, Ball, or Hardball. Any of the above will result in the most trouble-free operation. The magazine requires no particular servicing. It is equipped with a metal follower and a solid walnut base. You must keep it clean and lightly oiled all over. The magazine is latched in place by the magazine catch plunger located at the upper front grip panel immediately to the rear of the trigger on the left side. The magazine has a follower-button protruding through the right side of the magazine body and it serves two functions:

1. It is the activating device for the last-round-stop also known as the bolt-hold-open.
2. It serves to relieve pressure on the spring in the magazine by hooking onto the follower button as you load cartridges into the magazine by pulling it down with your thumb. You can use a magazine loading tool to make loading much easier.

Make sure the follower button is in place and freely moves up and down its track in the magazine body. It is a vital part of your pistol!

### Loading and Shooting Your P-08:

Keep all ammunition away from the pistol until you are completely familiar with this manual and the pistol itself. Make sure the pistol is clean and complete. Check for visible damage or missing parts. If anything is missing, damaged, or out of place, **Don't load or fire the pistol. Call us for advice first.** Your pistol carries a one year warranty but even if the year is exceeded, call us anyway!

First check to see that your pistol is empty. It's easy to do! Look at the loaded chamber indicator. If it protrudes above the breech block, **it is loaded!** If it does not protrude, the chamber is empty, **but there**

## Mitchell's Mausers

---

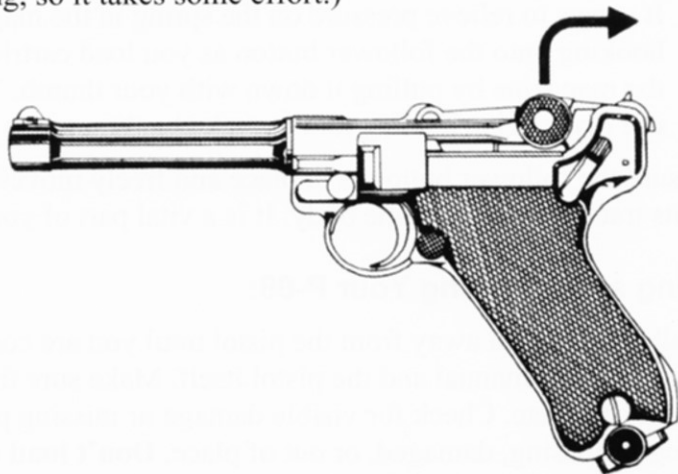
could still be a round in the magazine. Always check both the chamber and the magazine.

Remove the magazine by pushing in the magazine release and at the same time grasp the wooden base at the bottom of the grip and pull it out. Check to see that it is empty. You can now verify that the magazine and the pistol are both empty **and** clean. You must clean and oil your pistol before doing **any** shooting.

Check to see that the barrel is **clean** and has no **obstructions** of any kind. Excessive grease or oil should be removed. Do not think you can "shoot it out" because you can't. What you can do is ruin a perfectly good barrel (and that's expensive).

After you have determined that the pistol is clean, complete, and oiled, you may proceed. The basic functions must be understood as follows:

To arm the pistol make sure an empty magazine is in place. It is necessary to grasp the knurled toggles and smartly draw them up and back, fully to the rear. (In doing so, you are compressing a strong recoil spring, so it takes some effort.)

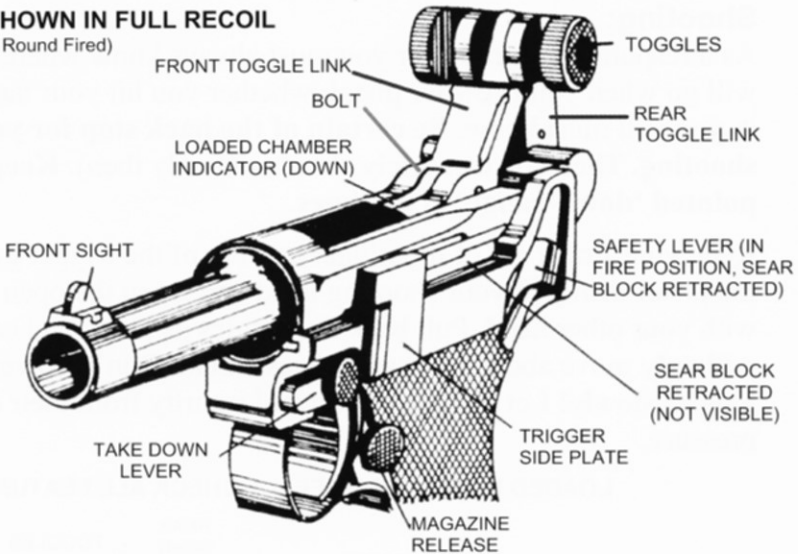


The magazine follower button will activate the last round stop and the action will stay open. (If it doesn't, something is wrong.) You can then remove the magazine and the action will stay open as shown here. Make sure the safety lever is on 'Safe'.



## ACTION SHOWN IN FULL RECOIL

(After Last Round Fired)



Loading the magazine...remove the magazine from the pistol. With your thumb on the follower button you can pull down and retract the follower. You can also use the loading tool to make it easier. Load cartridges from the front toward the rear of the magazine under the magazine lips (not from the top). Original German loading tools are available.

LOAD  
FROM THE FRONT  
TOWARD THE REAR



You may now load the magazine into the pistol by inserting it into the grip frame and pushing upward until the magazine catch snaps into the magazine. You can feel it happen and also hear it. Never slam it home. Leave that to Hollywood actors where they use fake pistols...yours is valuable and real!

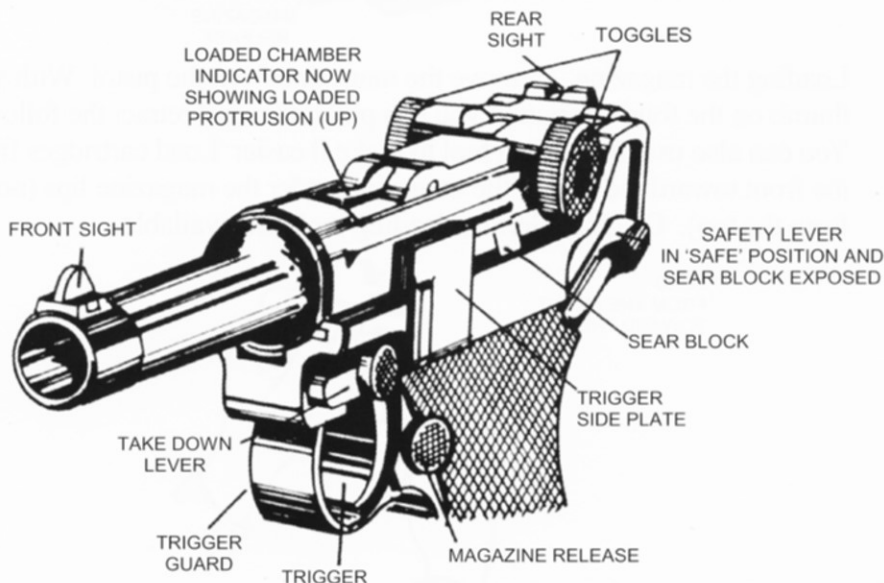
Your pistol is now loaded with the action open, safety on and loaded magazine in place.

## Shooting:

As a responsible gun owner you must always know where the bullet will go when you fire your pistol; whether you hit your target or miss it, you still must know. **Be certain of the back stop for your shooting.** Then you can safely shoot (and only then). **Keep the pistol pointed 'down-range' at all times.**

Keep your finger off of the trigger and out of the trigger guard. Hold the pistol firmly in your shooting hand and grasp the open toggles with your other hand. Pull back the toggles as far as you can (they will only move about 1/8") and release them. Don't "lower" the toggles slowly! Let them snap forward smartly from their own spring pressure.

### LOADED PISTOL ON 'SAFE' . . . CHECK ALL FEATURES



In doing so, the toggle assembly will snap forward, strip the top cartridge out of the magazine and load it into the chamber. You are now holding a loaded pistol with the safety "ON" and a round in the chamber! Take note of the loaded chamber indicator and see how it protrudes above the surface of the breech bolt. **Keep the pistol pointed 'Down-Range' at all times.**

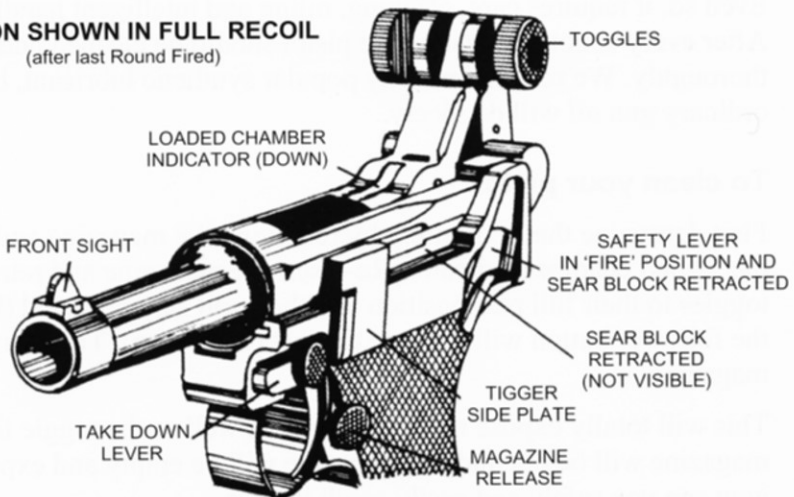
Put the safety in the “fire” position, full forward. Align the sights with the target and then put your finger on the trigger.

The P-08 has a military “two-stage” trigger which means you must slowly take up the initial slack of the trigger’s travel until you feel it tighten up.

In the second stage the trigger will ‘break’ cleanly and crisply and the P-08 will fire. The P-08 will automatically re-cycle itself and be ready for the next round instantly. It will fire the bullet, eject the empty case, reload the chamber and cock the firing pin in the blink of an eye. It will continue to do so for as long as you keep pulling the trigger or until the magazine is empty.

When the last round in the magazine is fired, the follower button on the magazine will automatically activate the bolt-hold-open device. The toggle assembly will automatically stay retracted in its full recoil position, the target and the sights on the pistol will be completely blocked from view. You can then withdraw the magazine to re-load it (follow the instructions given earlier) and the toggle assembly will still stay retracted.

### ACTION SHOWN IN FULL RECOIL (after last Round Fired)



If you change your mind and don't want to shoot, be aware that you have a loaded gun, ready to fire. DO the following:

1. Put the safety lever in the Safe position fully rearward.
2. Remove the magazine. Empty the magazine.

## **Mitchell's Mausers**

---

3. Grasp the toggles of the gun and draw them rearward smartly and the loaded round will be extracted and ejected from the gun.
4. Replace the empty magazine into the P-08
5. Retract the toggles again to the full rear position and they will stay open.

When you choose to stop shooting, simply keep the magazine out of the pistol and lower the toggles. Do so by grasping the toggles, retract them to the full back position (only about 1/8" rearward) and let go. This will allow them to snap full forward and closed. Then take note of the loaded-chamber-indicator and be certain it is not protruding! Return the empty magazine into its place in the grip frame and make sure it snaps into position.

Verify that the loaded chamber indicator is full down (not protruding) and swing the safety lever to the 'safe' position.

### **Care and Cleaning:**

Your P-08 was made of high grade steel and will easily last a lifetime. Even so, it requires care, cleaning, oiling and intelligent handling. After every shooting session, the pistol should be cleaned and oiled thoroughly. We recommend any popular synthetic lubricant, but ordinary gun oil will do nicely.

### **To clean your pistol**

First determine that it is empty by removing the magazine and checking the loaded chamber indicator. Re-insert the magazine and retract the toggles to their full rear position and they will stay retracted (because the follower button will activate the last round stop). Then remove the magazine.

This will totally expose the bore to you as well as the toggle links. The magazine will be out and the magazine will be empty and exposed. Only now can you safely and easily scrub it clean.

Use a good bore cleaner and a 9mm brass bristle brush for the bore. An old tooth brush will do nicely for the face of the breech bolt and the magazine well. Scrub everything clean. Then use a clean white cloth to wipe clean and remove the bore cleaner/solvent (an old worn out t-shirt works very well).

Then oil lightly the entire gun, inside and out, making sure the oil penetrates the bore all over. Make sure you oil the rails on which the breech bolt rides and oil all of the toggle link joints. The whole pistol should be lightly oiled and the whole process will take no more than 20 minutes of your time. It's well worth it to protect your valuable P-08!

Now lower the toggles by pulling them full back (about 1/8") and let go allowing them to snap forward. Verify that the loaded chamber indicator is indicating 'empty' as stated earlier. Check the magazine to see it is empty and restore it in the grip frame. No further disassembly is required for normal cleaning.

Your pistol is now empty, clean and secure. **Keep your pistol out of the hands of children.** It is designed for adult use only. Remember, never use re-loaded ammunition, no matter who loaded it. Use factory new ammunition only!

Take good care of it and it will last a lifetime.

### Spare Parts and Accessories:

*Accessories available for your P-08 include:*

- Spare Magazine
- Loading Tool
- Original leather holster with original markings
- Reproduction model leather holster with markings duplicated.

### *Spare Parts*

Spare parts are available and are fully identified in the exploded view drawing.

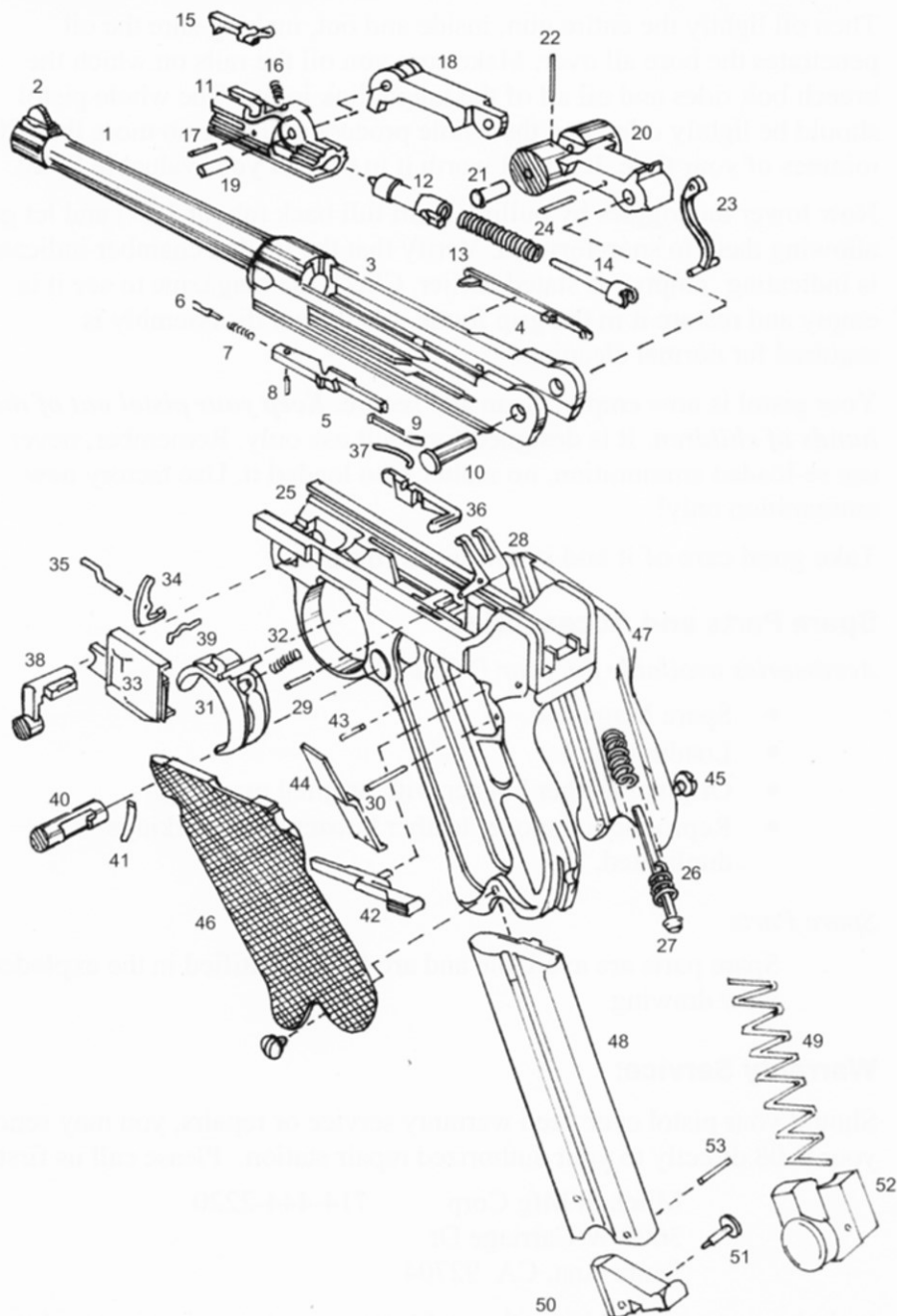
### Warranty Service:

Should your pistol ever need warranty service or repairs, you may send your P-08 directly to your authorized repair station. Please call us first.

Mitchell Mfg Corp      714-444-2220  
3600 W Carriage Dr  
Santa Ana, CA 92704

Include your return address; the problem you are experiencing; and a daytime telephone number. Always include **all** of your magazines as well.

# Mitchells Mousers



**Exploded view drawing / part list Pistol Parabellum P-08**

- |                              |                              |
|------------------------------|------------------------------|
| 1. Barrel                    | 28. Recoil Spring Lever      |
| 2. Front Sight               | 29. Recoil Spring Lever Pin  |
| 3. Barrel Extension          | 30. Recoil Lever Pin         |
| 4. Ejector                   | 31. Trigger                  |
| 5. Sear Bar                  | 32. Trigger Spring           |
| 6. Sear Bar Plunger          | 33. Trigger Side Plate       |
| 7. Sear Bar Plunger Spring   | 34. Trigger Lever            |
| 8. Sear Bar Plunger Pin      | 35. Trigger Lever Pin        |
| 9. Sear Bar Spring           | 36. Hold Open Latch          |
| 10. Rear Toggle Link Pin     | 37. Hole Open Latch Spring   |
| 11. Breechblock              | 38. Locking Bolt             |
| 12. Firing Pin               | 39. Locking Bolt Spring      |
| 13. Firing Pin Spring        | 40. Magazine Release         |
| 14. Firing Pin Spring Guide  | 41. Magazine Release Spring  |
| 15. Extractor                | 42. Safety Lever             |
| 16. Extractor Spring         | 43. Safety Lever Pin         |
| 17. Extractor Pin            | 44. Safety Bar               |
| 18. Front Toggle Link        | 45. Grip Screws (2)          |
| 19. Front Toggle Pin         | 46. Left Grip                |
| 20. Rear Toggle Link         | 47. Right Grip               |
| 21. Rear Toggle Pin          | 48. Magazine Body            |
| 22. Rear Toggle Pin Retainer | 49. Magazine Spring          |
| 23. Coupling Link            | 50. Magazine Follower        |
| 24. Coupling Link Pin        | 51. Magazine Follower Button |
| 25. Frame (Not Sold)         | 52. Magazine Bottom (Walnut) |
| 26. Recoil Spring            | 53. Magazine Bottom Pin      |
| 27. Recoil Spring Guide      |                              |

You may write or call for parts and service:

Mitchell Mfg Corp  
3600 W Carriage Dr  
Santa Ana, CA 92704  
Phone 714-444-2220 FAX 714-444-2226

Mitchell Mfg Corp offers many other products which are in keeping with collections based on military style, a few of which are shown on the following page.

# Mitchell's Mausers

## NEW\*

^Yes, and it's  
over 50 years old!

A Mauser 98K, Model M48  
is the Strongest and Best of  
bolt-action Rifles. Made on  
WWII German Tooling.

**Military-New** condition  
with clean, **Bright Bores**,  
and **Teakwood stocks**,  
with an American Owner's  
Manual covering history,  
operation, and safety.

**Military-New** means  
it is ready for you;  
cleaned and tested to  
assure safety and  
your satisfaction.

Maintained **Combat-Ready**  
for over 50 years, and  
now it can be yours.

**Original Factory**  
matching serial numbers  
on all rifle parts.

Preserved by an accident of  
history, supply is limited.

All original accessories  
as issued at the time and  
shown here are included.

This Mauser is ideal for  
collecting, target shooting,  
hunting, or customizing.

**We guarantee it!**

This Collector Grade Rifle  
is  
**Yours for Only  
\$395.**

The Rifle without  
Accessories is \$295.  
Add \$12 for S & I in  
Continental US

**Mitchell's  
Mausers**

P.O. Box 9295  
Fountain Valley, CA  
92728-9295  
FAX 714-444-2226  
714-444-2220

**800-274-4124**

**As seen on**



The History  
Channel  
tape is  
available  
now.

www.MitchellSales.com

## WAR TROPHY

WWII NAZI-made  
Walther P-38.

### Presentation Grade Walther P-38

with matching serial  
numbers on P-38,  
Knight's Cross,  
Presentation Case  
and Owner's  
Manual.

Preserved for 60  
years! Original in  
every respect.



Made in WWII Germany  
by Mauser and Walther

Limited  
Availability,  
While they last.

\$1,995.00  
Complete



## Mitchell's Mausers

P.O. Box 9295, Fountain Valley, CA 92728-9295  
714-444-2220 www.MitchellSales.com  
FAX 714-444-2226 800-274-4124

## Two Bright New Calibers

### 8MM Mauser

### .50 BMG



#### Four Bullet Types

- Hollow Point 175gr
- Pointed Soft Point 175gr
- SWAT 198gr Target
- FMJ 198gr

- 700gr, Homogenized Lead Core, FMJ
- 2910fps, Stays Supersonic beyond 2,000yds.
- New Rifle Ammunition (Not Machine Gun Ammo)

Both Calibers are Brand New Production, Boxer Primed, Reloadable and Available Now.

**Call 1-800-274-4124**



## Mitchell's Mausers

P.O. Box 9295, Fountain Valley, CA 92728-9295  
www.MitchellSales.com 714-444-2220 FAX 714-444-2226

**Mitchell's Mausers**  
Mitchell Manufacturing, Inc.  
P.O. Box 9295  
Fountain Valley, CA 92728

(714) 444-2220  
fax (714) 444-2226  
www.MitchellSales.com  
CustServ@MitchellSales.com