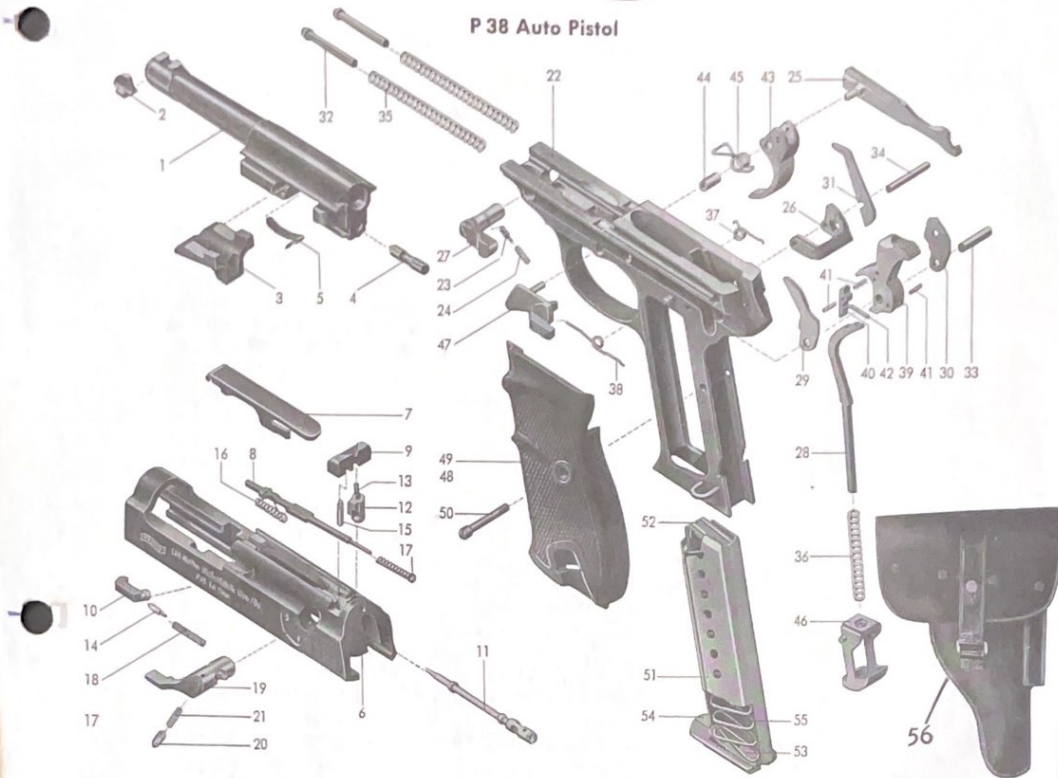




### P 38 Auto Pistol



Parts description and prices on attached page.



### Auto Pistol Model P 38 Cal. 9 mm Parabellum

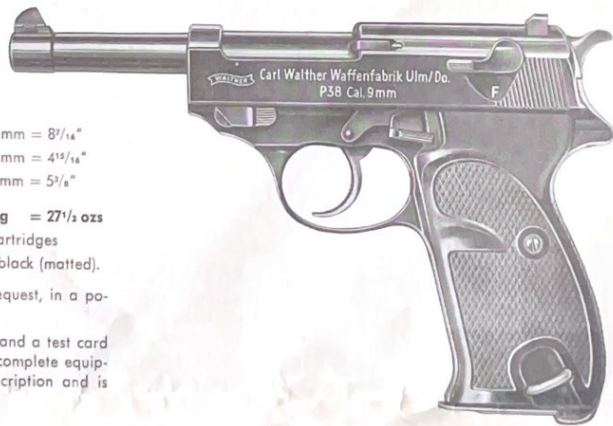
#### General Data:

Overall Length . . . . . 214 mm = 8<sup>7</sup>/<sub>16</sub>"  
 Length of Barrel . . . . . 125 mm = 4<sup>13</sup>/<sub>16</sub>"  
 Height of Pistol . . . . . 136 mm = 5<sup>1</sup>/<sub>8</sub>"

Total Weight . . . . . 780 g = 27<sup>1</sup>/<sub>2</sub> ozs  
 Magazine capacity . . . . . 8 Cartridges  
 Standard Finish . . . . . set black (matted).

The pistol can be supplied, upon request, in a polished and blued finish.

A spare magazine, a cleaning rod, and a test card are supplied with every pistol. The complete equipment also includes a technical description and is delivered in a stout carton.



HAROLD C. BRUFFETT - 1 CHURCH STREET - CROSWELL, MICHIGAN 48422

\*\*\*\*\*

HAROLD C. BRUFFETT  
AUTOMATIC PISTOL PARTS

1 CHURCH STREET  
CROSWELL, MICHIGAN 48422

MILITARY P-38 PISTOL PARTS

Please order all parts by stock number and name.  
Those parts marked (\*) see other side for further explanation

STOCK NO.	DESCRIPTION OF PART	PRICE
* P-1.	Barrel, NEW, currently made by Walther, matte finish .....	\$ 27.50
* P-1A.	Barrel, used. Not always in stock. Write us on availability .....	15.00
P-2.	Front Sight .....	4.00
P-3.	Locking Piece .....	6.50
P-4.	Locking Piece Plunger .....	3.00
P-5.	Locking Piece "V" Spring .....	2.50
P-6.	Slide Body, stripped .....	8.00
P-7.	Slide Cover .....	5.00
P-8.	Signal Pin .....	4.00
P-9.	Rear Sight .....	5.00
P-10.	Extractor .....	5.00
* P-11.	Firing Pin .....	5.00
P-12.	Firing Pin Lock .....	4.50
P-13.	Firing Pin Lock Spring .....	2.00
P-14.	Extractor Plunger .....	3.00
P-15.	Limit Pin .....	3.50
P-16.	Firing Pin Spring .....	3.50
P-17.	Signal Pin Spring .....	2.50
P-18.	Extractor Spring .....	3.00
P-19.	Thumb Safety Complete .....	7.00
P-22.	Frame (receiver) MAY ONLY BE SOLD TO FEDERAL LICENSED DEALERS .....	9.00
P-23.	Barrel Lock Lever Plunger .....	3.00
P-24.	Spring for Barrel Lock Lever Plunger .....	2.50
P-25.	Trigger Bar .....	5.00
P-26.	Sear (cocking piece) .....	6.50
P-27.	Barrel Lock Lever .....	6.00
P-28.	Hammer Strut .....	4.00
P-29.	Uncocking Piece .....	3.50
P-30.	Firing Pin Release Lever .....	3.00
P-31.	Ejector .....	3.00
P-32.	Recoil Spring Guide (2 needed) each .....	1.50
P-33.	Hammer Pivot Pin .....	2.00
P-34.	Sear Pin .....	2.00
P-35.	Recoil Spring ( 2 needed) each .....	1.50
P-36.	Magazine Catch Spring (fits over hammer strut) .....	3.00
P-37.	Trigger Bar Spring .....	2.50
P-38.	Sear Spring .....	3.00
P-39.	Hammer, complete with trap and spring .....	8.00
P-43.	Trigger complete with bushing .....	4.00
P-45.	Trigger Spring .....	4.50
P-46.	Magazine Catch .....	4.50
P-47.	Slide Catch Lever .....	4.50
P-48.	Original grips (when we have them) per pair .....	10.00
* P-48A.	Grips, NEW, black checkered composition .....	7.50 pr.
* P-48B.	Grips, NEW, checkered Walnut, fine wood grain, made in Germany ...	12.00 pr.
P-50.	Grip Screw .....	2.50
P-51.	Magazine, original military issue .....	5.00
* P-56.	Holster, original Wehrmacht (Army) hard shell .....	8.50
* P-56A.	Holster, original Luftwaffe (Air Force) quick draw type .....	5.00
	Both holsters contain a pocket for an extra magazine.	

PLEASE INCLUDE .50¢ WITH EACH ORDER FOR POSTAGE AND INSURANCE.  
POSTAGE FOR P-56 HOLSTER IS \$ 1.00

IT ISN'T AGAINST THE LAW. The new Federal Firearms Act of 1968 does NOT forbid the sales of firearms parts. ONLY frames and receivers are covered by the Act. You are NOT required to have a license or permit of ANY kind to order parts. Frames and/or receivers may ONLY be sold to a dealer with a Federal Firearms license. All other parts are legal to be bought or sold, so order with complete confidence. SORRY, NO C.O.D. OR OPEN ACCOUNT ORDERS ACCEPTED. REMITTANCE MUST ACCOMPANY YOUR ORDER. DO DISCOUNT TO DEALERS. THESE PARTS ARE TOO HARD TO COME BY. PLEASE PRINT YOUR NAME AND ADDRESS WHEN ORDERING AND GIVE YOUR ZIP CODE.

(CONTINUED ON OTHER SIDE)

FURTHER INFORMATION ON THOSE ITEMS MARKED (\*) ON OTHER SIDE OF THIS PAGE

- \* P-1. These new barrels are made by Walther and are the current production. They fit a little tighter than the military model which makes for greater accuracy. The finish is a dull matte blue to overcome light reflection one gets on a polished barrel. Brand new, they come complete with front sight and locking piece plunger.
- \* P-1A. These used barrels, when we have them, usually have a certain amount of pitting in the bores but are original military issue barrels. They include the front sight and locking piece plunger. Very rarely we get in a barrel with an excellent bore. When we have these, they sell for \$ 20.00.
- \*P-11 Our parts illustration is of the currently made Walther P-38 and shows a ROUND firing pin, which they now make. The firing pins we sell are the flat military firing pins, Neither pin will fit the other model. Many parts in the NEW P-38 will NOT fit the military model and vice-versa.
- \* P-48A. These new black grips, made by Franzite are almost exactly like the grips that were made for the early made HP model P-38 and are a distinct asset to the P-38 since the checkering enables you to get a better grip on the pistol as opposed to the corrugations on the military issue that become slippery when handled with sweaty hands.
- \* P-48B. These fine looking walnut grips have excellent checkering, a fine wood grain, and are very similar to the walnut grips made for the early Armees P-38 model. Made in Germany, they will really dress up a pistol.
- \* P-56. This is the original Army (Wehrmacht) holster and is the "hard" type, similar to the Luger holster, i.e. moulded into shape, Contains a pocket for extra magazine. These holsters were used in combat in W.W. II and show rub marks, minor small scratches and may have replaced belt loops. A little black shoe dye works wonders with these holsters and one can make a really fine looking holster of them.
- \* P-56A. This is the "soft" type holster, issued to the German Luftwaffe (Air Force) during W.I. II. Commonly called the "quick Draw" type, the pistol may easily be drawn from the holster, even in a sitting position. Like the holsters above, they have been used in combat and show evidence of wear and usage. Again, just a little black shoe dye will really improve their appearance.

ARE YOU LOOKING FOR PISTOLS ??? We don't sell pistols, but if you are looking for one, like a P-38 or other Walther, Luger, Mauser or other automatic pistols, write to Gil Hoffman, 3102 Grange Street, Trenton, Michigan 48183 or to Ralph Shattuck, 6661 Castle Drive, Birmingham, Michigan 48010. Each publishes a list of pistols and each charges .25¢ for their lists. They usually have a wide range of choice in collectors pistols.

WE INVITE YOUR INQUIRIES, BUT WILL NOT REPLY TO THEM UNLESS YOU ENCLOSE A STAMPED SELF ADDRESSED ENVELOPE WITH YOUR LETTER. OUR PARTS COME FROM ORIGINAL P-38 PISTOLS IN NRA GOOD OR BETTER CONDITION. WE DO NOT GET OUR PARTS FROM "JUNKER" PISTOLS AS DO SOME OF THE OTHER PARTS DEALERS. WE BUY INCOMPLETE PISTOLS OR PARTS FOR THEM. WE WILL ALSO TRADE PARTS IF THE OFFER IS ATTRACTIVE. WE DON'T HANDLE RIFLE OR SHOTGUN PARTS.

WE ALSO HANDLE PARTS FOR THE LUGER, BROOMHANDLE MAUSER AND THE 1910 MAUSER POCKET PISTOLS IN .25 AND .32 CALIBERS. OUR PARTS LISTS ON THEM ARE FULLY ILLUSTRATED, SHOWING, NAMING AND PRICING EACH PART. EACH PARTS LIST COSTS .25¢ BE SURE TO SPECIFY WHICH LIST YOU WANT.

WE SUGGEST YOU LOOK OVER THE "FLYER" THAT ACCOMPANIED THIS LIST. OF SPECIAL INTEREST IS THE BOOK "WALTHER PISTOLS AND RIFLES", OUR MAGAZINE OFFER AND THE PP AND PK MAGS.

WE OFFER LUGER MANUALS AT \$ 1.00 PER COPY POSTPAID. MANUALS ON THE 1910 MAUSER PISTOL ARE \$ 1.50 EACH, POSTPAID. BOTH ARE REPRINTS OF THE ORIGINAL MANUALS.

JUST ONE MORE REMINDER, INCLUDE .50¢ POSTAGE WITH EACH ORDER FOR PARTS AND PLEASE PRINT YOUR NAME AND ADDRESS AND GIVE YOUR ZIP CODE. ALLOW \$ 1.00 FOR P-56 HOLSTER, FOR POSTAGE AND INSURANCE.

HAROLD C. BRUFFETT 1 CHURCH STREET CROSWELL, MICHIGAN 48422