

Tokamak™

RS485

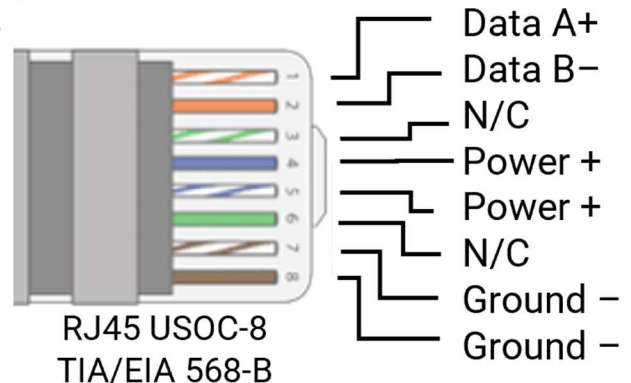
Tokamak™ Is a low-voltage power and RS485 bus distribution device for use with ReaKtor™ PDU's . Connect up to eight ReaKtors with shielded UTP cable supporting large projects of up to 176 AC (when used with Triton™) and DC motors @448 Nm of energy and up to forty-eight 485 device nodes.



Technical specifications:

- Bus Input: (1) 485 Data only
- Bus Output: (1) 485 Data only
- ReaKtor™ Outputs(8) RJ45 48VDC (AI negotiated)
- IEC C13 AC Input 90-240VAC (50-60Hz)
- Material: Powder coated steel enclosure (Plenum)
- Dimensions: 8.5" (W) x 1.75" (H) x 10" (D)
- Maximum Wiring Distance to ReaKtors:
- Up to 50m per RJ45 port w/shielded UTP.
- Operating Temperature Range: Ambient temp.
- Shipping Weight: 4.3 lbs.
- Indoor use only

Cable pinouts:



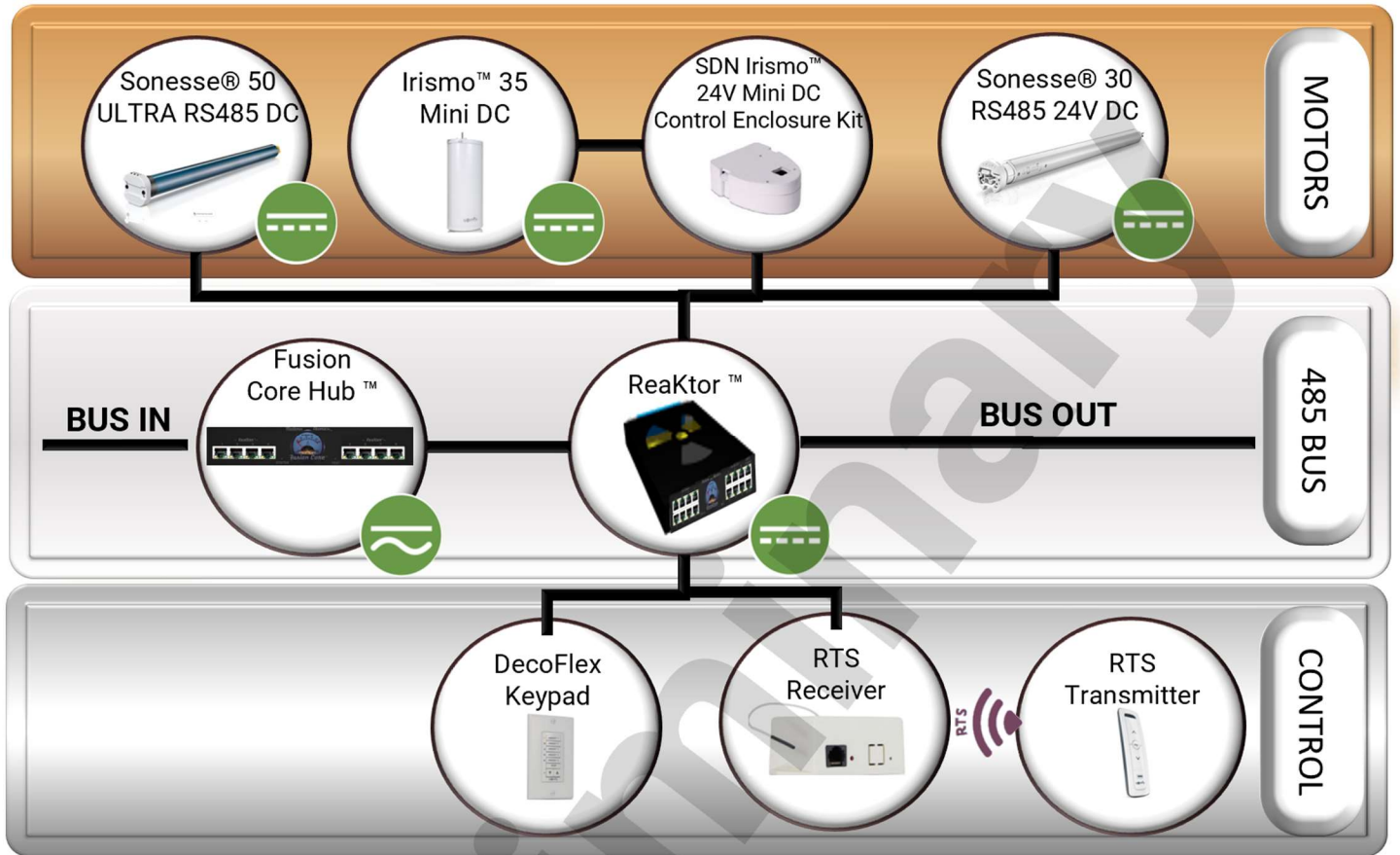
Features summary:

- Auto AI Negotiation with ReaKtors
- Plug and Play no software or hardware dip switches
- Status LEDs for: Power, Communication, & error conditions
- Analog output Voltage Gauge
- Half rack, full rack, on-wall, in-wall and din-rail mounting options

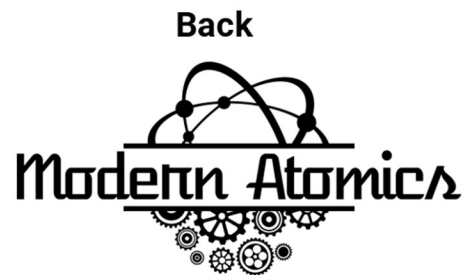
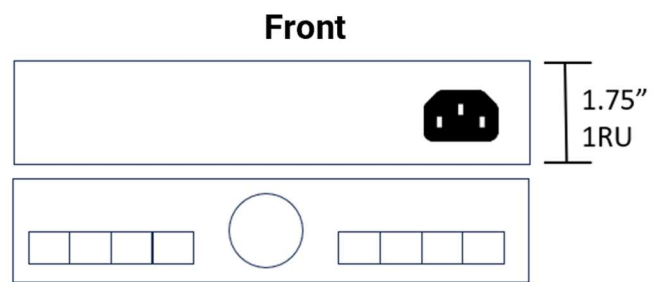
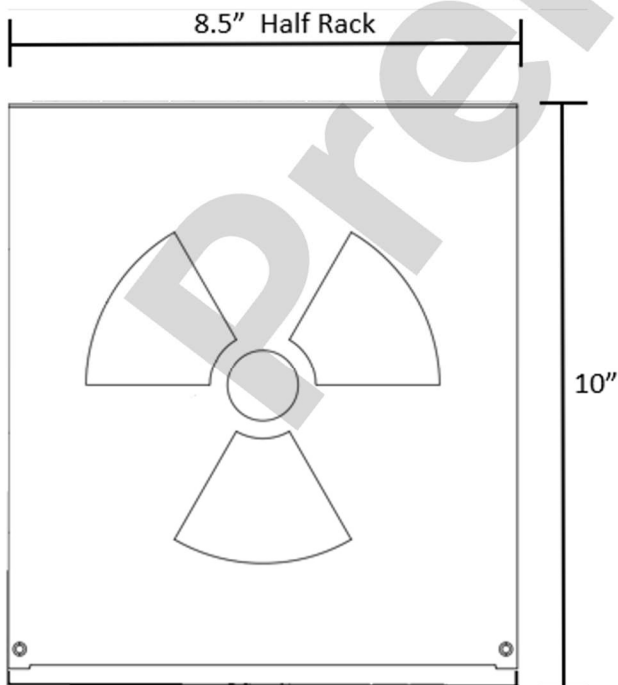


Tokamak™

RS485



Dimensions:



Somfy, RTS, SDN, Sonesse, & Irismo are registered Trademarks of Somfy System, Inc and are used here for identification purposes only.

www.ModernAtomics.com