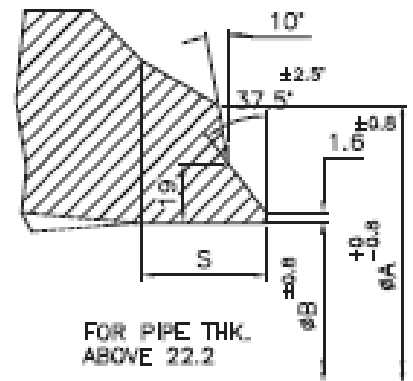
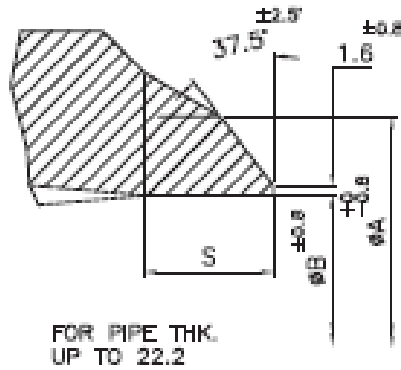
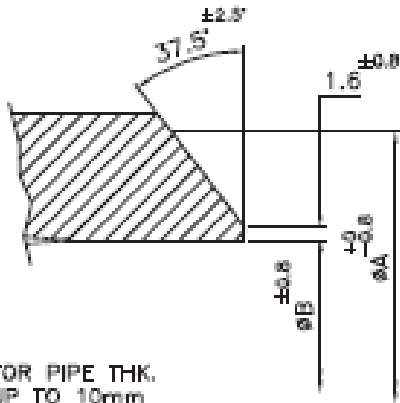


BUTT WELD END DIMENSION'S ASME B 16.25



PIPE SIZE	SCH.	PIPE O.D.	ØA	ØB	S	PIPE SIZE	SCH.	PIPE O.D.	ØA	ØB	S
1"	40	33.4	35	26.59	5.1	2.5"	40	73.0	75	62.6	7.8
	60						60				
	80			24.4	6.75		80			59	10.5
	100						100				
	120						120				
	140						140				
	160			20.7	9.52		160			54	14.25
	XXS			15.2	13.65		XXS			45	21
1.25"	40	42.4	44	35.0	5.4	3"	40	88.9	91.2	77.93	8.23
	60						60				
	80			32.4	7.35		80			73.66	11.43
	100						100				
	120						120				
	140						140				
	160			29.5	9.52		160			66.65	16.68
	XXS			22.78	14.55		XXS			58.42	22.86
1.5"	40	48.3	50	40.9	5.55	4"	40	114.3	117.4	102.26	9.03
	60						60				
	80			38.1	7.65		80			97.18	12.84
	100						100				
	120						120			92.05	16.68
	140						140				
	160			34.0	10.72		160			87.33	20.23
	XXS			27.9	15.3		XXS			80.06	25.68
2"	40	60.3	62	52.5	5.85	5"	40	141.2	144.5	128.19	10
	60						60				
	80			49.3	8.25		80			122.25	14.2
	100						100				
	120						120			115.9	19
	140						140				
	160			42.9	13.05		160			109.55	23.81
	XXS			38.1	16.65		XXS			103.2	28.57