



# #102 CONVEYORS

## Food Processing Systems and Equipment

### FEATURES:

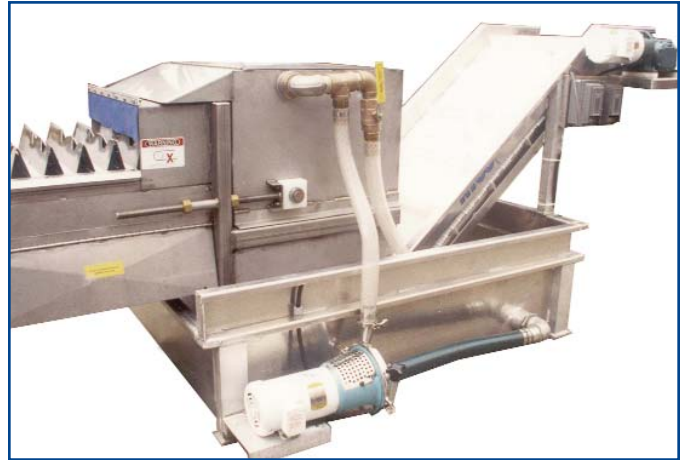
- Stainless Steel or Aluminum Construction
- Intralox, KVP, Scanbelt, Unichain or other plastic segment belt
- Stainless flatwire or woven belt.
- Clipper laced or endless pvc or rubber belt

### OPTIONS:

1. Any width, length, height
2. Electric, Hydraulic drives
3. Variable frequency drive
4. Variable gear drive

### RYCO ADVANTAGES:

- More efficient use of Labor
- Reduced Injury Claims
- Local manufacture
- Clean straight forward design
- Easy to Maintain
- Easy to Clean
- Legendary RYCO reliability and toughness
- Dedicated Service and Response



**INCLINE WASH CONVEYOR**  
With stainless sanitary circulation pump



**POULTRY PACKAGE CONVEYORS**



**Active Trim Conveyor**  
With work stands



**BOX CONVEYORS**

SPECIFICATIONS MAY CHANGE. CONTACT RYCO FOR SPECIFIC APPLICATIONS.

OVERLEAF: D4100-A1

**RYCO** 6810-220th Street SW  
Mountlake Terrace, Wa 98043

Phone: 425-744-0444  
Fax: 425-673-2666

Email: sales@rycomachine.com  
www.rycomachine.com

Reliability World Wide

# RYCO #102 CONVEYORS 2/2

## Food Processing Systems and Equipment



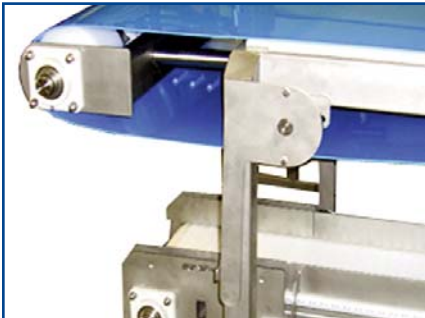
**Active Trim Conveyor**  
Workstands not shown



**Incline Conveyor**



**Spiral Conveyor**  
Chicken packing



**Active Trim Conveyor Tail**  
In operating position



**Incline Conveyor**  
Belt Turn



**Typical Conveyors**  
Modular belt



**Active Trim Conveyor Tail**  
In cleaning position



**Incline Conveyor**  
Drive



**Drive Cam**

SPECIFICATIONS MAY CHANGE. CONTACT RYCO FOR SPECIFIC APPLICATIONS.

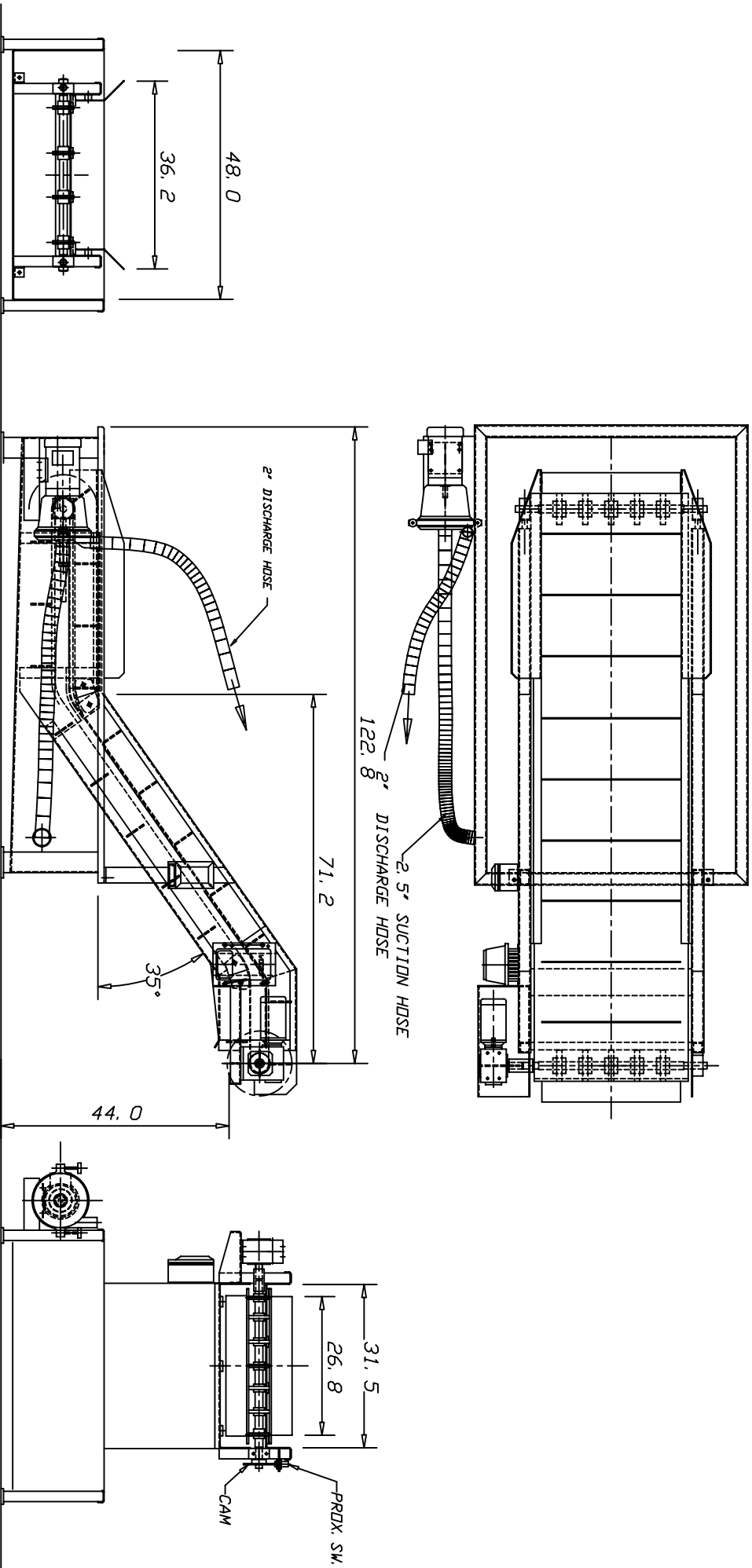
OVERLEAF: D4100-A1

**RYCO** 6810-220th Street SW  
Mountlake Terrace, Wa 98043

Phone: 425-744-0444  
Fax: 425-673-2666

Email: [sales@rycomachine.com](mailto:sales@rycomachine.com)  
[www.rycomachine.com](http://www.rycomachine.com)

Reliability World Wide



**RYCO EQUIPMENT**  
SEATTLE WASHINGTON

ARRANGEMENT  
30" W BELT W/CIRCULATION TANK  
INCLINE CONVEYOR

D4100-A1 090316

NOTE:

1. BELT SPEED 25FPM.
2. WET WEIGHT=2500 LBS APPRX.

10.0