



**RYCO AUTOMATIC WATERFALL GLAZER: COMPACT,
HIGH SPEED & VERSATILE**

The RYCO #140 Waterfall Glazer totally immerses frozen product in a glaze solution. This is the ONLY glazer available which efficiently glazes both Single Fish and Blocks.

Unlike dip glazers, this machine does not require flights for individual fish. Since the belt is flat, the machine is much smaller, more reliable, has less belt wear, and has no flight damage.

In a variety of Alaskan installations, ashore and afloat over the last 3 years, this design has glazed tens of millions pounds of fish and fish blocks.

Automatic water makeup chambers controls glaze level, and makeup valve automatically controls chemical addition.

The #140 puts it all together in one automatic, rugged, and industrial machine.

FEATURES:

- Electric drive
- Safe operation with conveyor feed
- Rates over 20,00 lbs/hr.
- Product weights 1 to 70 pounds
- Product sizes up to 24"x48"
- Installed dry weight 855 lbs.

OPTIONS:

- Stainless or Aluminum frame
- Refrigerant coils in sump

UTILITIES:

- Electric 4KW

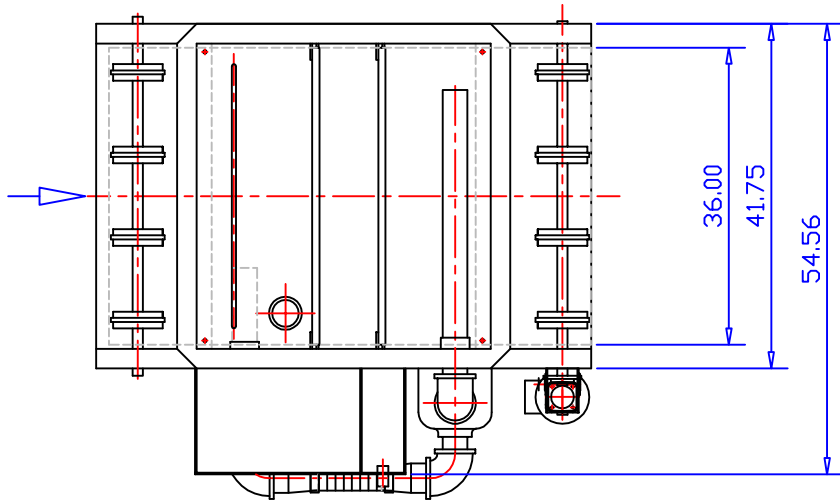
SPECIFICATIONS MAY CHANGE, CONTACT RYCO FOR SPECIFIC APPLICATIONS

OVERLEAF:D4768A01

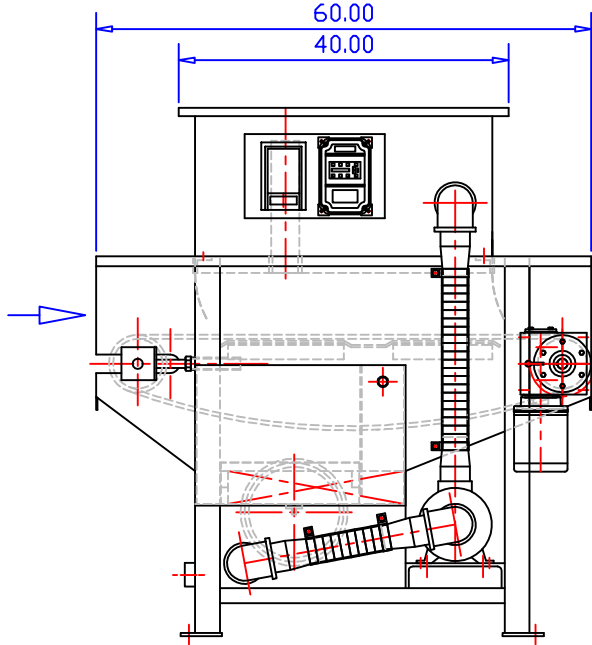
Address: 6810 220th St. SW
Mountlake Terrace, WA 98043
USA

Phone: 425-744-0444
Fax: 425-673-2666

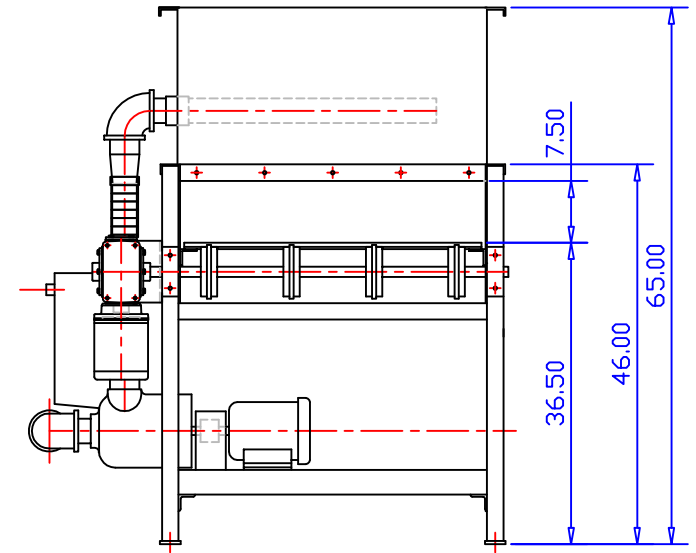
Web: rycous.com
E-mail: sales@rycous.com



PLAN VIEW



SIDE ELEVATION



REAR ELEVATION