



TAIL CUTTER MOUNTS ON RYCO #225 AND #226 INFEED

DESCRIPTION:

Some customers need to remove the tail before filleting. The most efficient place to do this is on the header infeed.

The Ryco Tail Cutter is a flat knife mounted on an air cylinder. An internal gate sets the thickness of the tail cut, and actuates the knife.

Tails are cut off quickly, with a perpendicular, smooth cut, with a consistent thickness for minimum recovery loss



REV20160325: new/rr

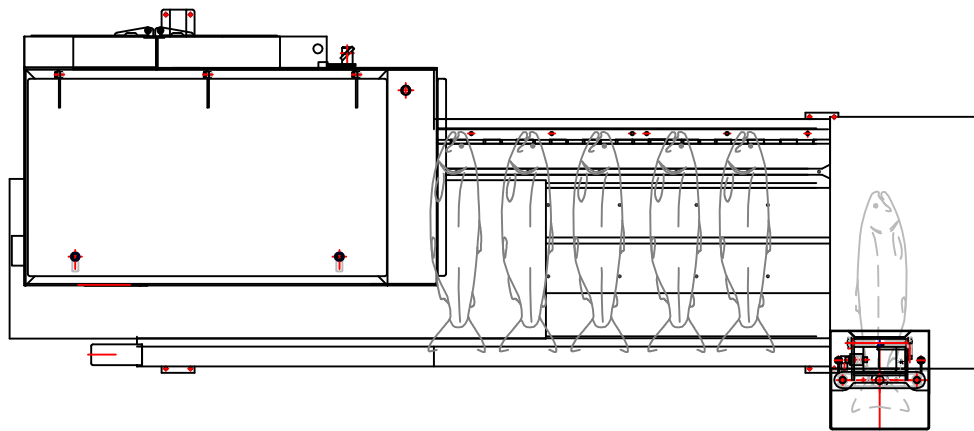
SPECIFICATIONS MAY CHANGE, CONTACT RYCO FOR SPECIFIC APPLICATIONS

overleaf: D5070-A1

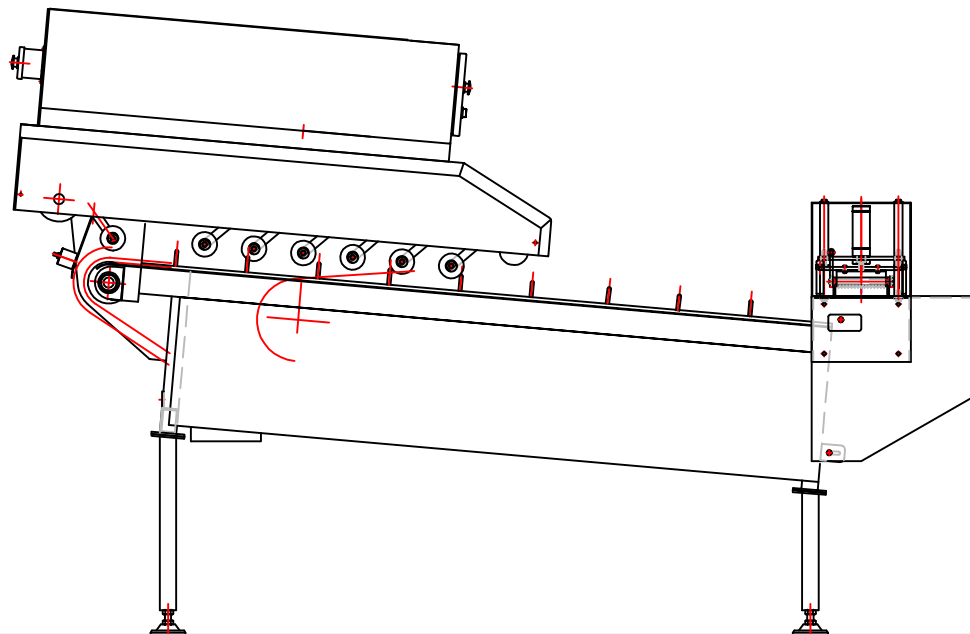
Address: 6810 220th St. SW
Mountlake Terrace, WA 98043
USA

Phone: 425-744-0444
Fax: 425-673-2666

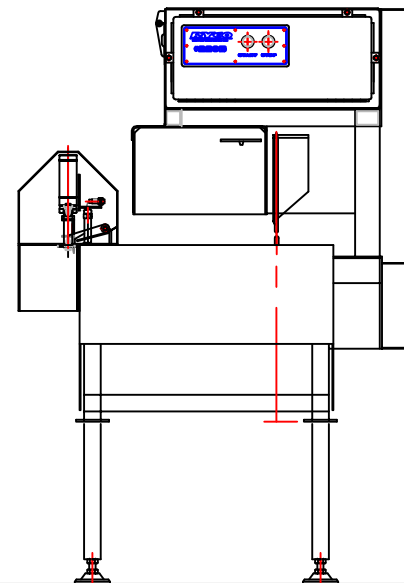
Web: rycous.com
E-mail: sales@rycous.com



PLAN VIEW



SIDE ELEVATION



INFEED ELEVATION

REV20141220: COPY D4803-A1/RR

8.0

RYCO

#213 TAIL CUTTER MOUNTED ON #226 HEADER