

### THE NEXT GENERATION SALMON FILLETER

#### FEATURES:

- Consistent cutting
- In production operation
- Production recovery higher than machines with dorsal blades.
- Salmon from 3-24 pounds
- Wild Salmon and aquaculture
- Automatic frame separation
- Efficient blade honing without removal
- Accurate blade control prevents blade damage
- Automatic fish pressure control
- Tails and fins can be left on fish
- Easy and simple adjustments
- Self contained
- Safety conscious
- No external electrical controls
- Easily moved with forklift or pallet jack
- Heavy stainless construction
- Built for shore or shipboard
- Electrical, air, and water are plug-in
- Variable speed drives
- Industrial IP67 Components

#### UTILITIES:

- Electric: 220vac, 3ph, 2KW
- Air: Clean, Dry, 90-100 psig minutes
- Water: Filtered, 1-2gpm, 50 psig

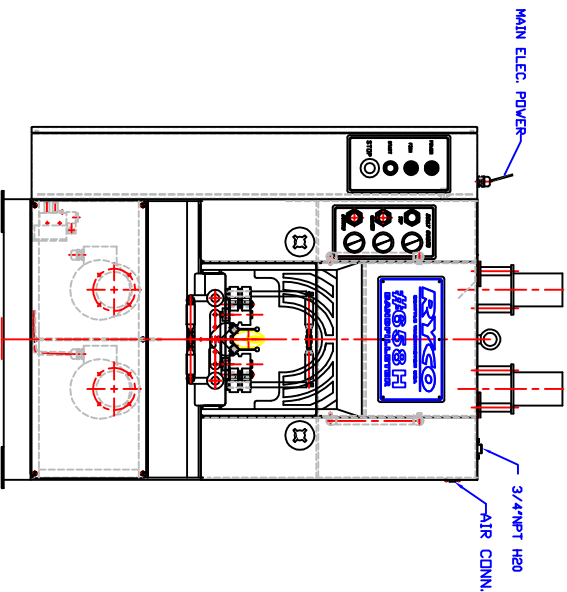
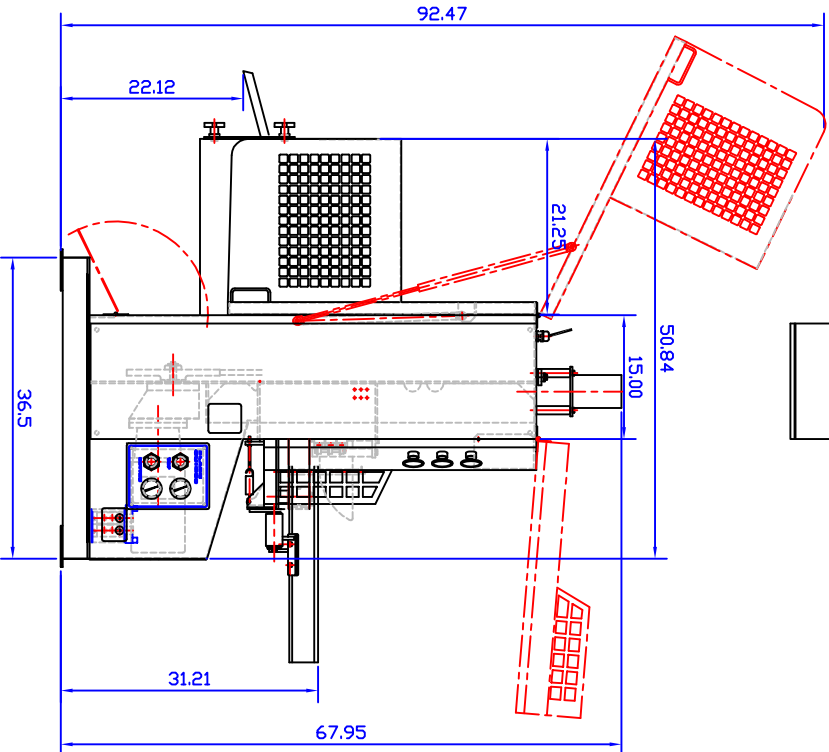
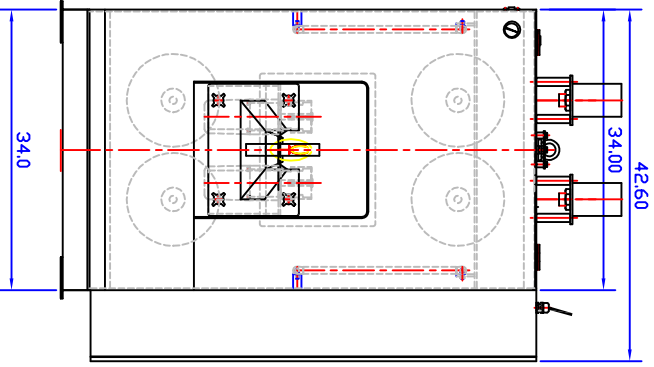
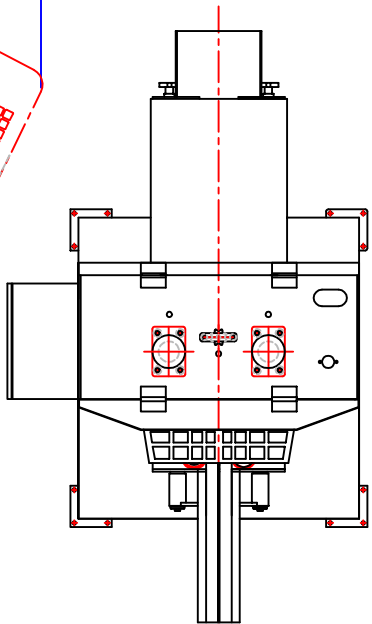
SPECIFICATIONS MAY CHANGE – CONTACT RYCO FOR SPECIFIC APPLICATIONS

OVERLEAF: D4705-A1

Address: 6810 220<sup>th</sup> Street SW  
Mountlake Terrace, WA 98043 – USA

Phone #: 425-744-0444  
Fax #: 425-673-2666

Web: [rycous.com](http://rycous.com)  
E-mail: [sales@rycous.com](mailto:sales@rycous.com)



REV20150817: ADD BLADE GUIDE DECAL, ADDED TOP CYLINDER MOUNT PLATE/RR  
 REV20150622: COPY D4705-01/HB

D5045-01 150828

8.00



#658H BAND FILLETER: ASSEMBLY