



# POT&HOOK MAGNET BROCHURE

Magnetize The World Together

 **Ningbo China-Base Group Co., Ltd**  
No. 666, Tiantong South Rd., Ningbo, Zhejiang  
+86 (0)574 8742 5656

 **Ningbo Bright-Mag Magnetics Co., Ltd**  
57 Lujiacao, Guangshen Town, Ningbo, Zhejiang  
+86 (0)152 5743 9736





...  
**MAGNETIZE  
THE WORLD  
TOGETHER.**

# CONTENT

Pot Magnet

**P03**



Hook Magnet

**P14**



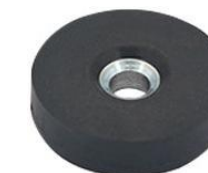
Fishing Magnet

**P19**



Rubber Coated Magnet

**P26**



Handling Magnet

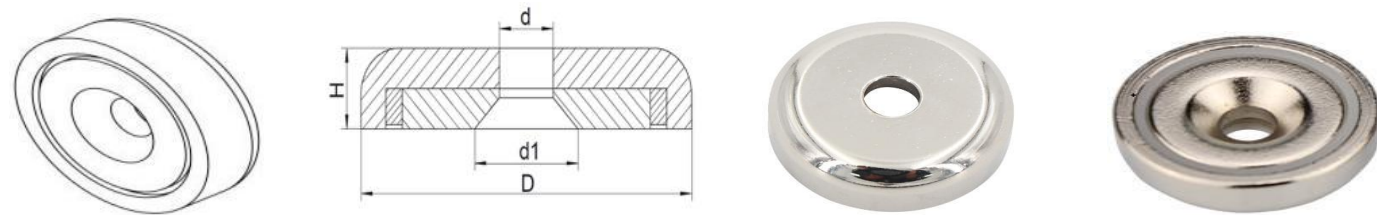
**P31**

# Pot Magnet

## ● Neodymium Pot Magnet

With Counter Bore, Nickel Coating

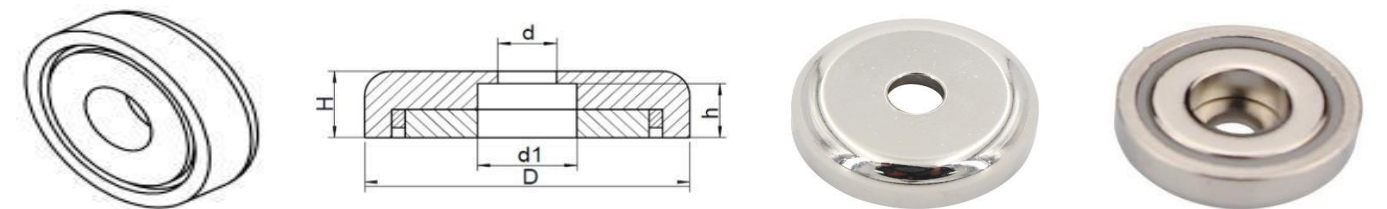
Model	D (mm)	d (mm)	d1 (mm)	H (mm)	Weight(g)	Breakaway(kg)
SNA12	12	3.5	6.5	4.5	4	2.5
SNA16	16	3.5	6.5	5	7	6
SNA20	20	4.5	8.6	7	14	11
SNA25	25	5.5	10.6	8	25	20
SNA32	32	5.5	10.6	8	42	32
SNA36	36	6.5	11.3	8	54	43
SNA42	42	6.5	11.3	8.6	78	65
LNA48	48	8.5	15.5	11	138	75
LNA55	55	8.5	14.5	12	205	95
LNA60	60	8.5	14.5	15	305	160
LNA70	70	10.5	16.5	17	485	210
LNA75	75	10.5	16.5	18	560	250
LNA80	80	10.5	16.5	18	668	280
LNA90	90	10.5	16.5	18	850	380
LNA120	120	12.5	22.5	18	1520	480



## ● Neodymium Pot Magnet

With Bore, Nickel Coating

Model	D (mm)	d (mm)	d1 (mm)	H (mm)	Weight(g)	Breakaway(kg)
SNB12	12	3.5	6.5	4.5	4	2
SNB16	16	3.5	6.5	5	7	5
SNB20	20	4.5	8	7	13	10
SNB25	25	5.5	9	8	19	18
SNB32	32	5.5	9	8	38	30
SNB36	36	6.5	11	8	48	40
SNB42	42	6.5	11	8.6	70	60
LNB48	48	8.5	15	11	115	70
LNB60	60	8.5	15	15	240	150
LNB75	75	10.5	18	18	515	220



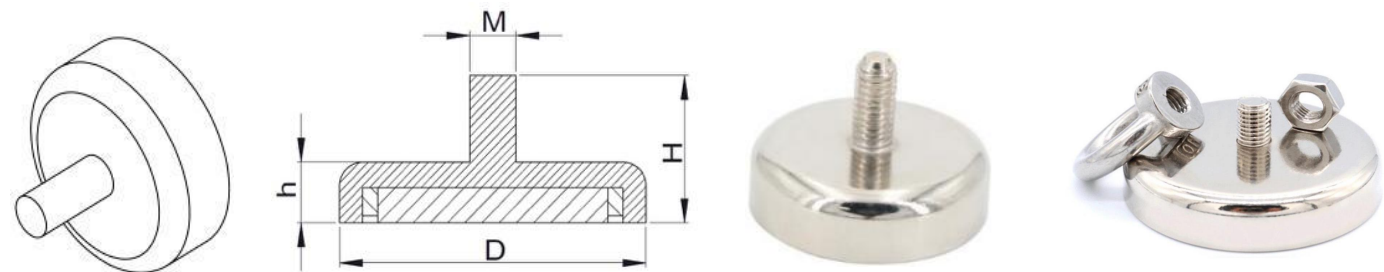
**The breakaway force** of the product is measured by pulling it off at a constant speed of 80mm/min on 10mm polished steel plate at room temperature. In special cases, there may be a maximum deviation of 10% from the specified value, generally it exceeds specified value. The assembling and actual temperature etc. of the product can all affect magnetic force.

# Pot Magnet

## ● Neodymium Pot Magnet

With External Thread, Nickel Coating

Model	D (mm)	H (mm)	h (mm)	M (mm)	Weight(g)	Breakaway(kg)
SNC10	10	14	5	M3	4	2
SNC12	12	14	5	M3	5	4
SNC16	16	13.2	5	M4	8	8
SNC20	20	16	7	M4	17	12
SNC25	25	17	8	M5	30	23
SNC32	32	18.5	8	M6	50	34
SNC36	36	18	8	M6	62	50
SNC42	42	18	8.6	M6	89	72
LNC48	48	24	11	M8	152	81
LNC60	60	28	15	M8	325	160
LNC75	75	35	18	M10	620	250

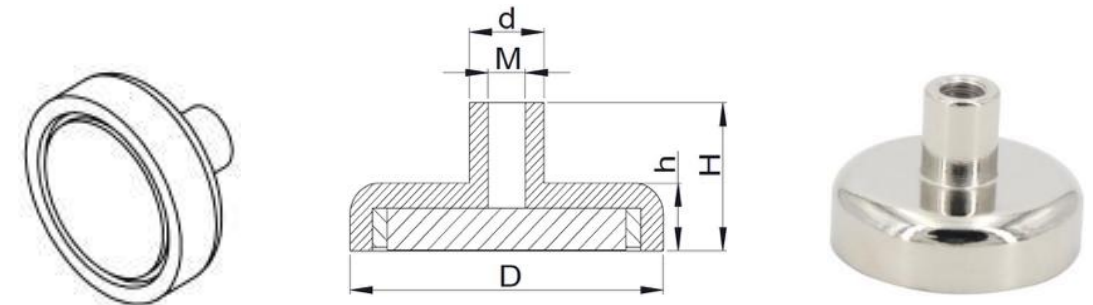


Freely work with other threads

## ● Neodymium Pot Magnet

With Screwed Bush, Nickel Coating

Model	D (mm)	d (mm)	H (mm)	h (mm)	M (mm)	Weight(g)	Breakaway(kg)
SND16	16	6.5	12.6	5	M4	9	8
SND20	20	6.5	14	7	M4	17	12
SND25	25	7.5	17	8	M5	31	23
SND32	32	10	18	8	M6	52	34
SND36	36	10	18	8	M6	60	50
SND42	42	10	18	8.6	M6	95	72
LND48	48	12	24	11	M8	160	81
LND60	60	12	28	15	M8	340	160
LND75	75	17	35	18	M10	635	250

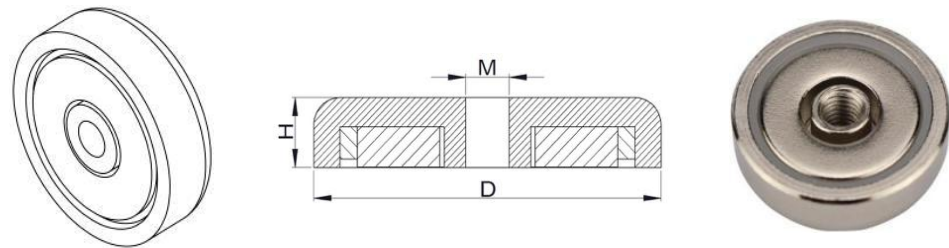


# Pot Magnet

## ● Neodymium Pot Magnet

With Flat Metric Thread, Nickel Coating

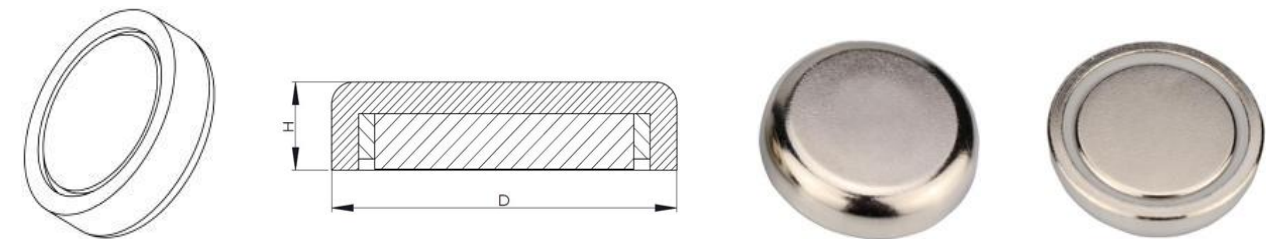
Model	D (mm)	H (mm)	M (mm)	Weight(g)	Breakaway(kg)
SNH16	16	5	M3	7	4
SNH20	20	7	M4	14	8
SNH25	25	7.7	M5	25	17
SNH32	32	7.7	M5	44	27
SNH36	36	7.5	M6	55	36
SNH42	42	8.6	M6	86	50
SNH48	48	10.6	M8	132	70
LNH60	60	12	M8	229	140
LNH75	75	15	M10	464	220



## ● Neodymium Pot Magnet

With Flat Metric Thread, Nickel Coating

Model	D (mm)	H (mm)	Weight(g)	Breakaway(kg)
SNO10	10	5	4	2
SNO12	12	5	5	4
SNO16	16	5	8	8
SNO20	20	7	16	12
SNO25	25	8	25	23
SNO32	32	8	40	34
SNO36	36	8	51	50
SNO42	42	8.6	78	72
LNO48	48	11	121	81
LNO60	60	15	256	160
LNO75	75	18	510	270



Full magnetization, strong magnetic force, copper sleeve protection, hard-wearing quality

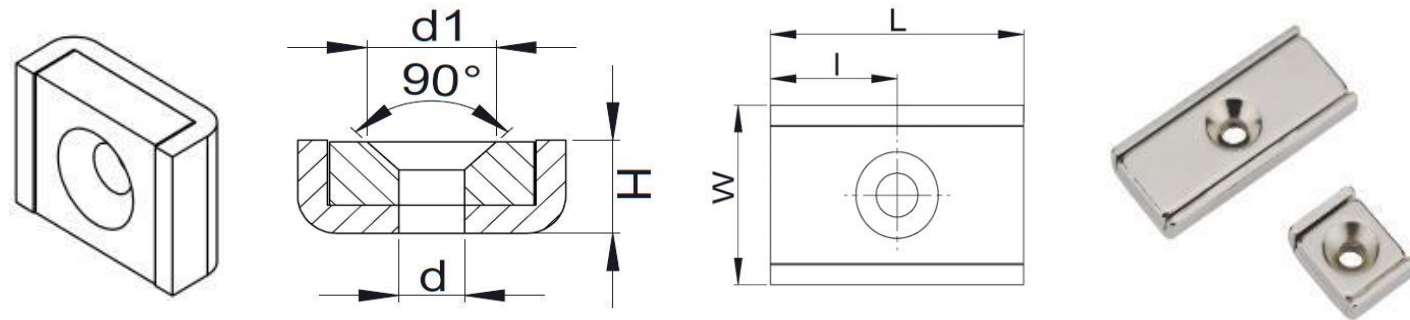
...

# Pot Magnet

## ● Rectangular Neodymium Pot Magnet

With Counter Bore, Nickel Coating

Model	L (mm)	l (mm)	W (mm)	H (mm)	d (mm)	d1 (mm)	Weight(g)	Breakaway(kg)
SNI10	10	5	13.5	5	3.3	6.5	4.5	4
SNI15	15	7.5	13.5	5	3.3	6.5	7	7
SNI20	20	10	13.5	5	3.3	6.5	10	8
SNI30	30	15	13.5	5	3.3	6.5	15	16



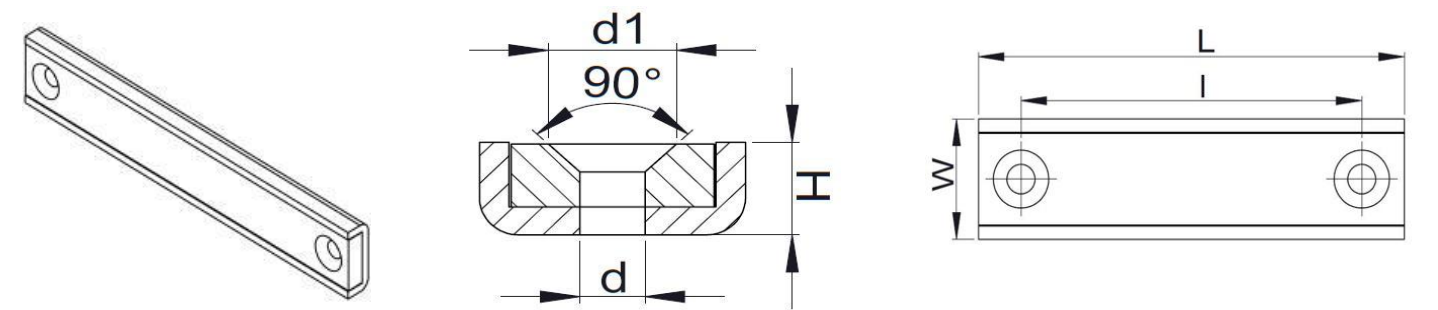
...

The iron shell is processed by numerical control and stamping. Uniform surface cutting, accurate dimension, smooth surface after coating.

## ● Rectangular Neodymium Pot Magnet

With Counter Bore, Nickel Coating

Model	L (mm)	l (mm)	W (mm)	H (mm)	d (mm)	d1 (mm)	Weight(g)	Breakaway(kg)
SNI40	40	30	13.5	5	3.3	6.5	19	16
SNI50	50	40	13.5	5	3.3	6.5	24	27
SNI60	60	50	13.5	5	3.3	6.5	30	30
SNI80	80	70	13.5	5	3.3	6.5	38	33
SNI100	100	90	13.5	5	3.3	6.5	48	36
SNI120	120	110	13.5	5	3.3	6.5	58	40

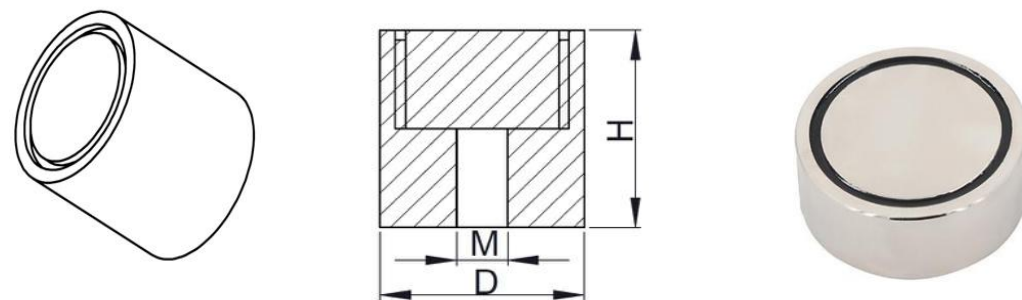


# Pot Magnet

## ● Neodymium Pot Magnet

With Flat Metric Thread, Nickel Coating

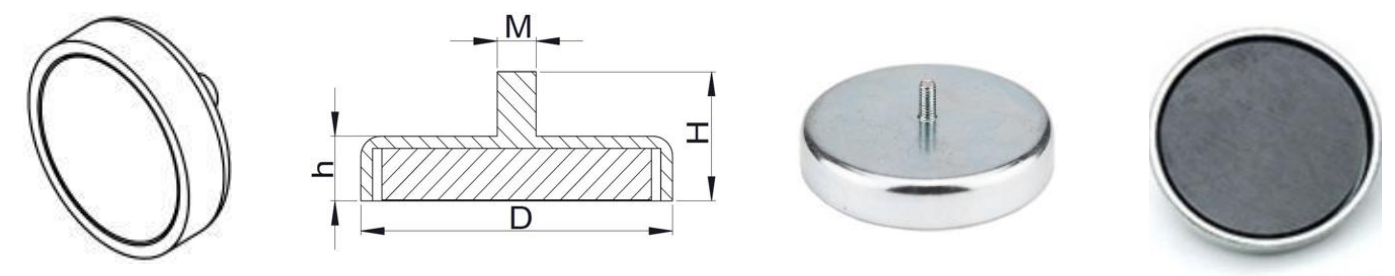
Model	D (mm)	H (mm)	M (mm)	Weight(g)	Breakaway(kg)
LNP10	10	8	M3	5	2
LNP12	12	8	M3	7	4
LNP16	16	8	M4	12	8
LNP20	20	10	M4	24	12
LNP25	25	10	M5	37	23
LNP32	32	10	M6	61	34
LNP36	36	10	M6	77	50
LNP42	42	15	M6	158	72
LNP48	48	15	M8	206	81
LNP60	60	15	M8	322	160
LNP75	75	20	M10	672	270



## ● Ferrite Pot Magnet

With External Thread, Zinc Coating

Model	D (mm)	H (mm)	h (mm)	M (mm)	Weight(g)	Breakaway(kg)
SFC25	25	16.1	7.4	M4	21	4.5
SFC32	32	15.6	6.9	M4	30	8.5
SFC36	36	16.6	7.9	M4	43	11
SFC40	40	18.4	7.9	M5	52	13
SFC47	47	19	9	M5	82	18
SFC50	50	19.9	9.9	M5	103	23
SFC57	57	20.4	10.4	M5	141	29
SFC63	63	26	14	M6	211	36
SFC80	80	29	18	M8	417	62

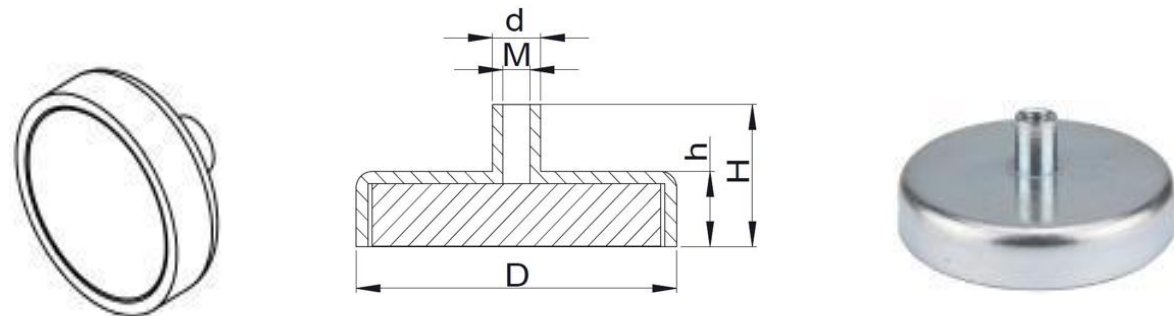


# Pot Magnet

## ● Ferrite Pot Magnet

With Screwed Bush, Zinc Coating

Model	D (mm)	d (mm)	H (mm)	h (mm)	M (mm)	Weight(g)	Breakaway(kg)
SFD25	25	6.5	15.5	7.4	M4	22	4.5
SFD32	32	6.5	15	6.9	M4	31	8.5
SFD36	36	6.5	16	7.9	M4	45	11
SFD40	40	7.5	17.9	7.9	M5	55	13
SFD47	47	7.5	18.5	9	M5	84	18
SFD50	50	7.5	19.4	9.9	M5	105	23
SFD57	57	7.5	19.9	10.4	M5	144	29
SFD63	63	10	25.5	14	M6	215	36
SFD80	80	10	31.2	18	M8	421	62



# Hook Magnet

## ● Neodymium Hook Magnet

With Hook, Nickel Coating

Model	D (mm)	d (mm)	h (mm)	h1 (mm)	H (mm)	M (mm)	Weight(g)	Breakaway(kg)
SNE10	10	6	5	12.5	33	M3	6	2
SNE12	12	6	5	12.5	33	M3	7	4
SNE16	16	6.5	5	12.6	35	M4	12	8
SNE20	20	6.5	7	14	36	M4	21	12
SNE25	25	7.5	8	17	45	M5	37	23
SNE32	32	10	8	18	48	M6	61	34
SNE36	36	10	8	18	48	M6	69	50
SNE42	42	10	8.6	18	48	M6	101	72
LNE48	48	12	11	24	61	M8	182	81
LNE60	60	12	15	28	64.5	M8	362	160
LNE75	75	17	18	35	81	M10	681	270



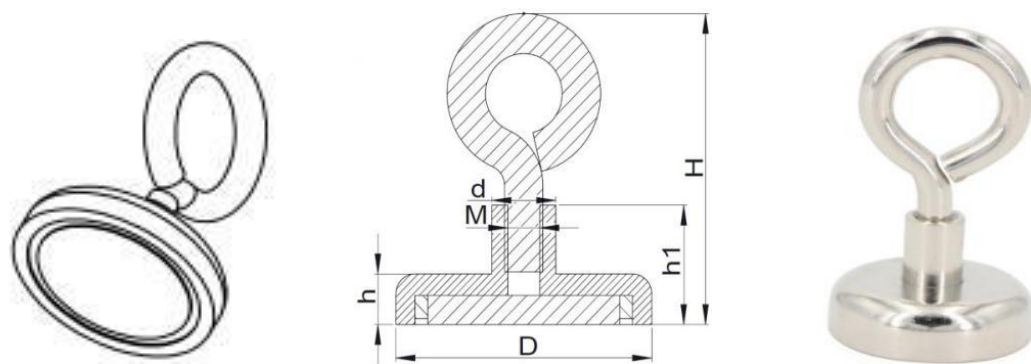
Q235 stainless steel hook, bolt, cover

# Hook Magnet

## ● Neodymium Hook Magnet

With Eyelet Hook, Nickel Coating

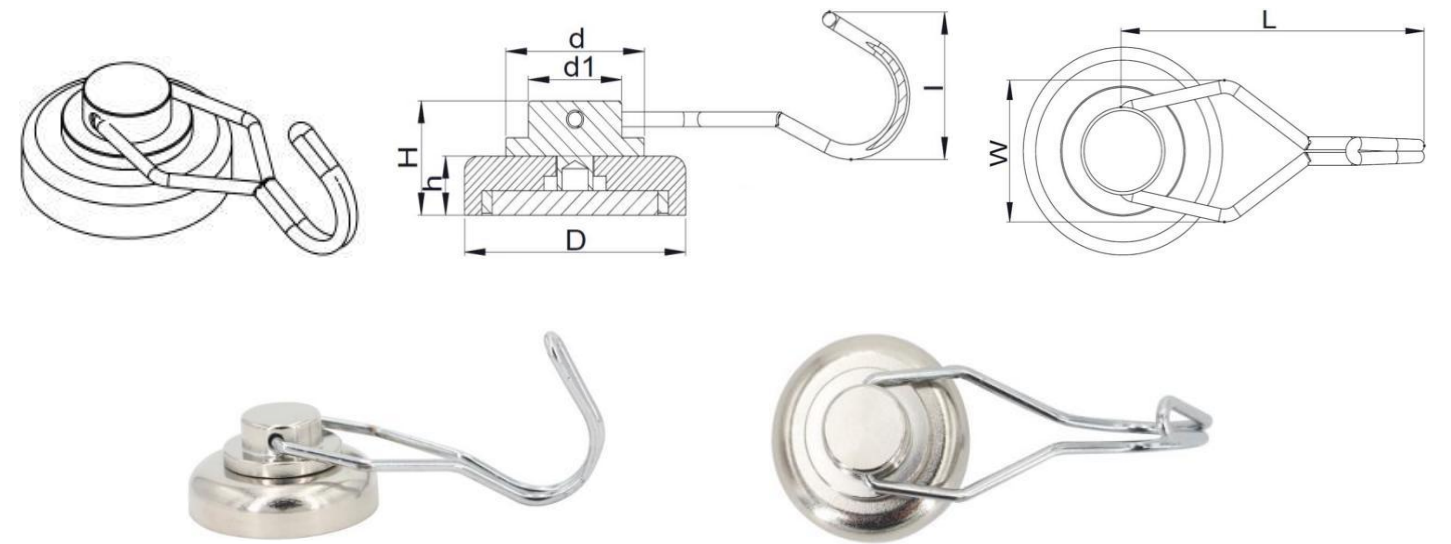
Model	D (mm)	d (mm)	h (mm)	h1 (mm)	H (mm)	M (mm)	Weight(g)	Breakaway(kg)
SNF10	10	6	5	12.5	33	M3	7	2
SNF12	12	6	5	12.5	33	M3	8	4
SNF16	16	6.5	5	12.6	34.6	M4	12	8
SNF20	20	6.5	7	14	36	M4	21	12
SNF25	25	7.5	8	17	44.5	M5	38	23
SNF32	32	10	8	18	47.5	M6	63	34
SNF36	36	10	8	18	47.5	M6	71	50
SNF42	42	10	8.6	18	47.5	M6	106	72
LNF48	48	12	11	24	60.5	M8	187	81
LNF60	60	12	15	28	64.5	M8	367	160
LNF75	75	17	18	35	91	M10	697	270



## ● Neodymium Hook Magnet

With Swivel Hook, Nickel Coating

Model	D (mm)	d (mm)	d1 (mm)	h (mm)	H (mm)	W (mm)	L (mm)	自重 Weight(g)	Vertical Breakaway(kg)	Side Breakaway(kg)
SNG25	25	20	13.5	8	15.5	53.5	23	24	38	17
SNG32	32	20	13.5	8	15.5	53.5	23	24	52	30
SNG36	36	20	13.5	8	15.5	53.5	23	24	65	40
SNG42	42	20	13.5	8.6	16.1	53.5	23	24	92	60



Hook can be disassembled and replaced with other types of accessories

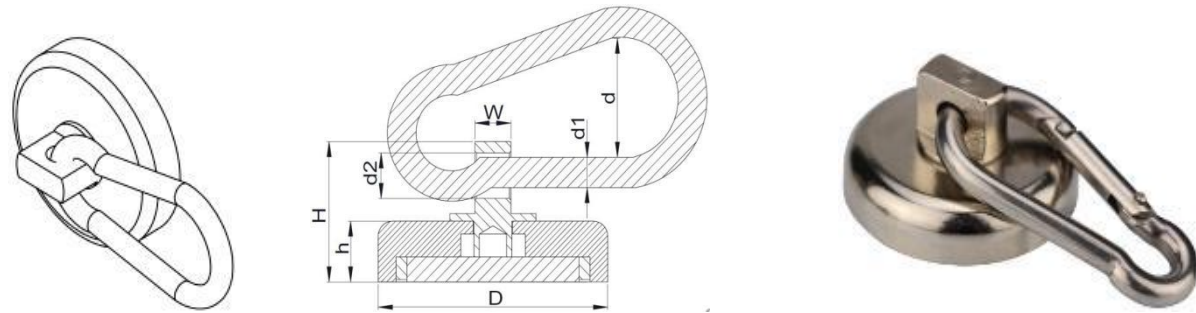
...

# Hook Magnet

## ● Neodymium Hook Magnet

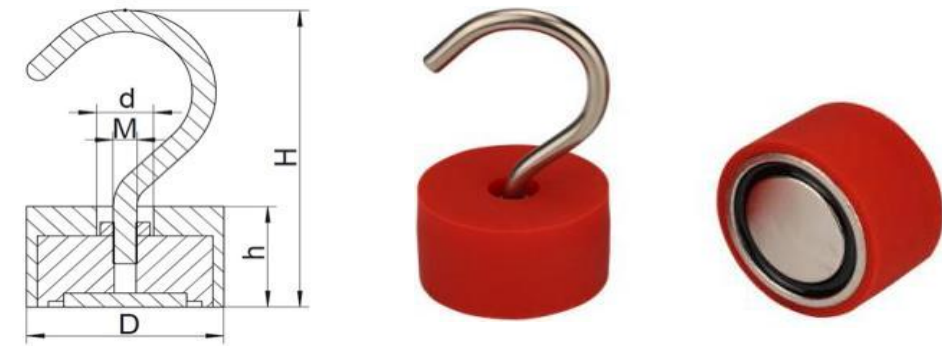
With Carabiner-rotation, Nickel Coating

Model	D (mm)	d (mm)	d1 (mm)	d2 (mm)	W (mm)	H (mm)	h (mm)	Weight(g)	Breakaway(kg)
LNL25	25	12	4	6.5	5	18.5	8	30	17
LNL32	32	12	4	6.5	5	18.5	8	47	28
LNL36	36	15	5	6.5	5	18.5	8	59	35



## ● Neodymium Rubber Coated Hook Magnet

Model	D (mm)	d (mm)	h (mm)	H (mm)	M (mm)	Weight(g)	Breakaway(kg)
SE45	45	13	25.5	75	M6	206	50



...

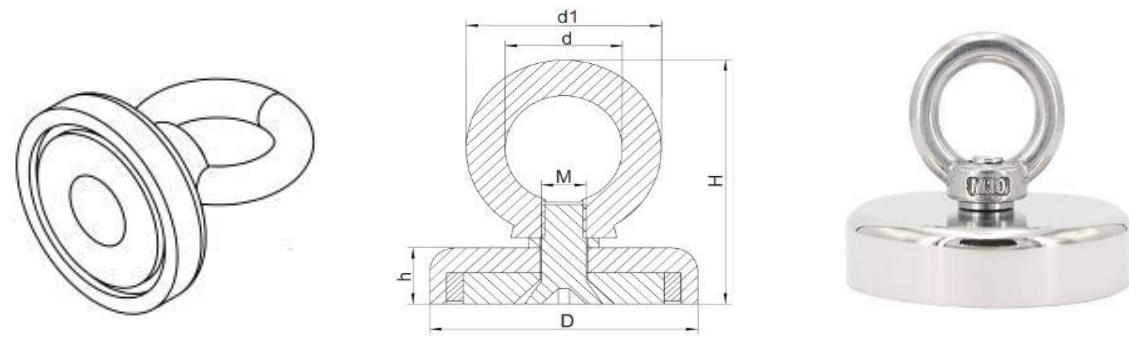
**Magnetic hook** has small size and high magnetic force. When it is vertically adsorbing to material surface, it can achieve maximal magnetic force. It is not only decided by the internal magnet and the external iron shell, also depends on the material, thickness, flatness, and friction force of the surface being adsorbed.

# Fishing Magnet

## ● Neodymium Fishing Magnet

With Stainless Steel Hook, Nickel Coating

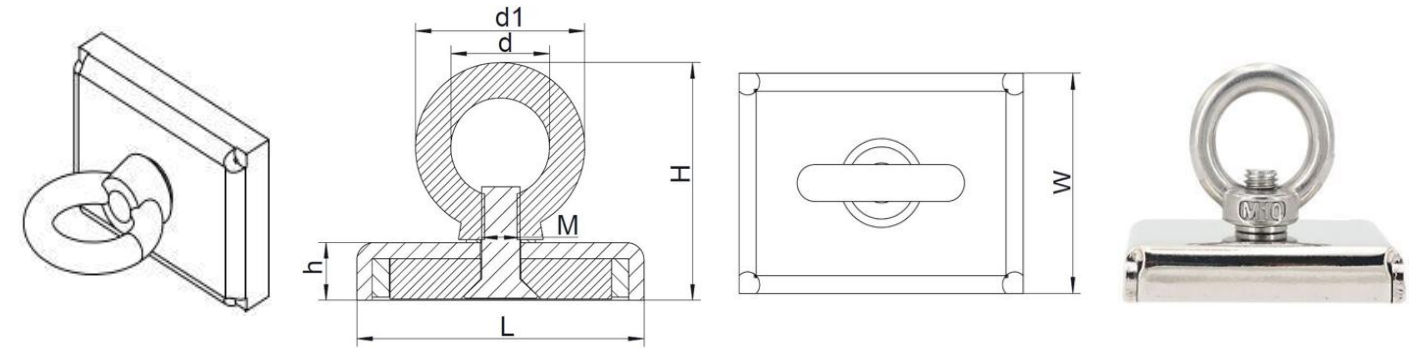
Model	D (mm)	d (mm)	d1 (mm)	H (mm)	h (mm)	M (mm)	Weight(g)	Breakaway(kg)
SNJ20	20	10	19	27	7	M4	27	11kg/25lb
SNJ25	25	12	22.5	32	8	M5	44	20kg/45lb
SNJ32	32	12	22.5	32	8	M5	59	32kg/70lb
SNJ36	36	15.5	27	38.5	8	M6	71	43kg/90lb
SNJ42	42	15.5	27	39.1	8.6	M6	98	65kg/140lb
LNJ48	48	19.5	34.5	47	11	M8	197	75kg/160lb
LNJ55	55	19.5	34.5	48	12	M8	278	95kg/200lb
LNJ60	60	19.5	34.5	51	15	M8	330	160kg/350lb
LNJ70	70	24.5	41	60.5	17	M10	608	210kg/450lb
LNJ75	75	24.5	41	61.5	18	M10	632	250kg/550lb
LNJ80	80	24.5	41	61.5	18	M10	821	280kg/600lb
LNJ90	90	24.5	41	61.5	18	M10	899	380kg/800lb
LNJ120	120	27.5	50	68.5	18	M12	1510	480kg/1000lb



## ● Neodymium Fishing Magnet

With Stainless Steel Hook, Nickel Coating

Model	L (mm)	W (mm)	h (mm)	H (mm)	d (mm)	d1 (mm)	M (mm)	Weight(g)	Breakaway(kg)
SNN75	75	55	25	59.5	24.5	41	M10	369	160kg/350lb



...

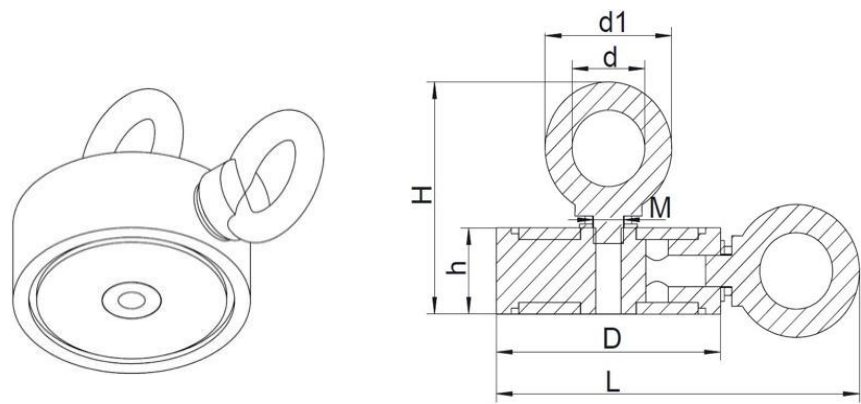
**Fishing magnet** consists two parts, the base and ring are fixed by their threads. Both can be disassembled and replaced with other products for use.

# Fishing Magnet

## ● Neodymium Fishing Magnet

With Stainless Steel Hook, Nickel Coating

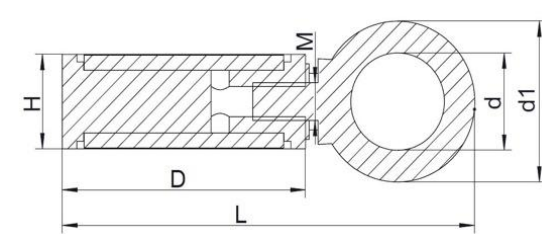
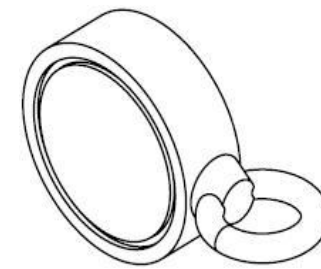
Model	D (mm)	h (mm)	H (mm)	L (mm)	d (mm)	d1 (mm)	M1 M2 (mm)	Weight(g)	Breakaway(kg)
LN48-2	48	18	58	83	19.5	34.5	M8	211	70kg/160lb
LN60-2	60	22	66	95	19.5	34.5	M8	551	135kg/300lb
LN67-2	67	25	75	102	25	41.5	M10	795	170kg/380lb
LN75-2	75	25	77	110	25	41.5	M10	945	220kg/500lb
LN94-2	94	28	85	129	25	41.5	M10	1600	300kg/650lb
LN116-2	116	32	92	160	29	47	M12	2745	450kg/1000lb
LN136-2	136	34	92	190	29	47	M12	3580	600kg/1350lb



## ● Neodymium Fishing Magnet

With Stainless Steel Hook, Nickel Coating

Model	D (mm)	H (mm)	L (mm)	d (mm)	d1 (mm)	M (mm)	Weight(g)	Breakaway(kg)
LN48-3	48	18	86	20	35	M8	280	80kg/175lb
LN60-3	60	22	98	20	35	M8	420	135kg/300lb
LN67-3	67	25	111	25	42	M10	720	170kg/380lb
LN75-3	75	25	119	25	42	M10	885	220kg/500lb
LN94-3	94	28	138	25	42	M10	1540	300kg/650lb
LN116-3	116	32	167	29	47	M12	2435	450kg/1000lb
LN136-3	136	34	187	29	47	M12	3355	600kg/1350lb

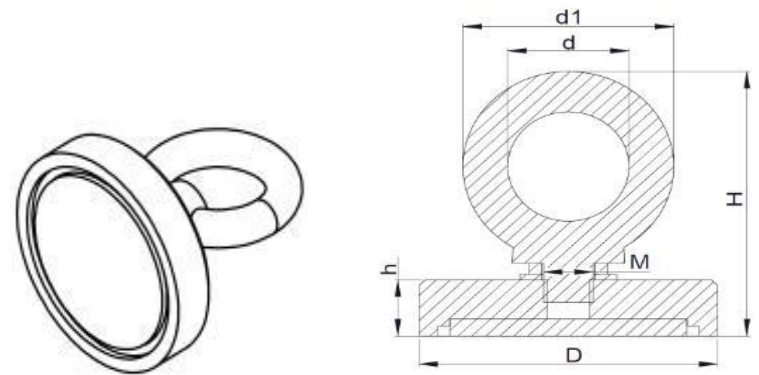


# Fishing Magnet

## ● Neodymium Fishing Magnet

With Stainless Steel Hook, Nickel Coating

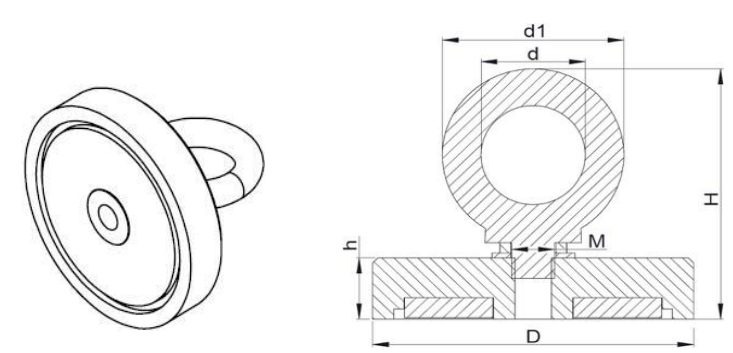
Model	D (mm)	h (mm)	H (mm)	d (mm)	d1 (mm)	M (mm)	Weight(g)	Breakaway(kg)
LNM48	48	10	53	19.5	34.5	M8	180	80kg/175lb
LNM60	60	12	55	19.5	34.5	M8	301	135kg/300lb
LNM67	67	12	69	25	41.5	M10	395	80kg/175lb
LNM75	75	15	69	25	41.5	M10	575	80kg/175lb
LNM94	94	18	69	25	41.5	M10	1022	80kg/175lb
LNM116	116	20	78	29	47	M12	1710	80kg/175lb
LNM136	136	23	78	29	47	M12	2655	80kg/175lb
LNM160	160	32	118	40	70	M20	5394	80kg/175lb
LNM200	200	37	144	50	88	M24	8867	80kg/175lb
LNM250	250	40	169	60	105	M30	16481	80kg/175lb
LNM320	320	50	219	70	120	M36	32460	80kg/175lb



## ● Neodymium Fishing Magnet

With Stainless Steel Hook, Nickel Coating

Model	D (mm)	h (mm)	H (mm)	d (mm)	d1 (mm)	M (mm)	Weight(g)	Breakaway(kg)
LNM48-1	48	10	48	19.5	34.5	M8	175	70kg/160lb
LNM60-1	60	12	50	19.5	34.5	M8	295	135kg/300lb
LNM67-1	67	12	60	25	41.5	M10	385	170kg/380lb
LNM75-1	75	15	62	25	41.5	M10	567	220kg/500lb
LNM94-1	94	18	67	25	41.5	M10	1012	300kg/650lb
LNM116-1	116	20	70	29	47	M12	1640	450kg/1000lb
LNM136-1	136	23	75	29	47	M12	2675	600kg/1350lb
LNM160-1	160	32	110	40	70	M20	5214	1000kg/2200lb
LNM200-1	200	37	135	50	88	M24	8889	1500kg/3300lb
LNM250-1	250	40	157	60	105	M30	16871	2000kg/4400lb
LNM320-1	320	50	198	70	120	M36	32633	3000kg/6600lb

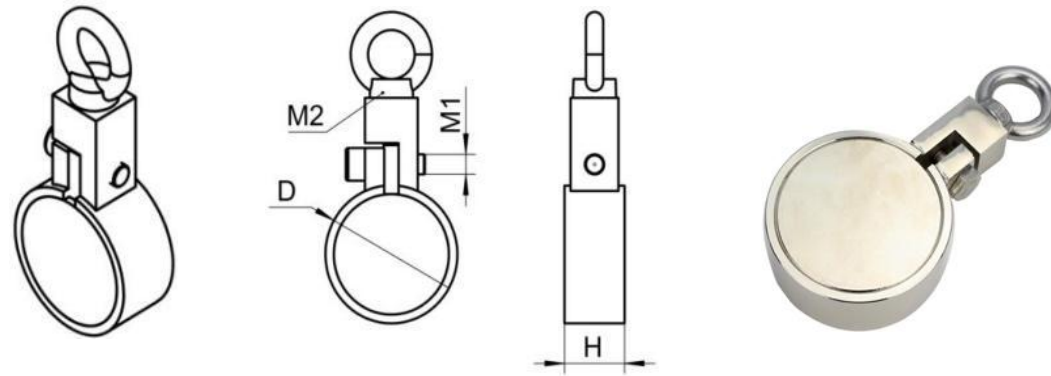


# Fishing Magnet

## ● Neodymium Fishing Magnet

With Stainless Steel Hook, Nickel Coating

Model	D (mm)	H (mm)	M1 (mm)	M2 (mm)	Weight(g)	Breakaway(kg)
LNT55	55	25	M8	M8	570	120kg/250lb
LNT67	67	25	M8	M8	810	170kg/380lb
LNT78	78	25	M8	M10	1070	220kg/500lb
LNT100	100	25	M8	M10	1660	320kg/700lb

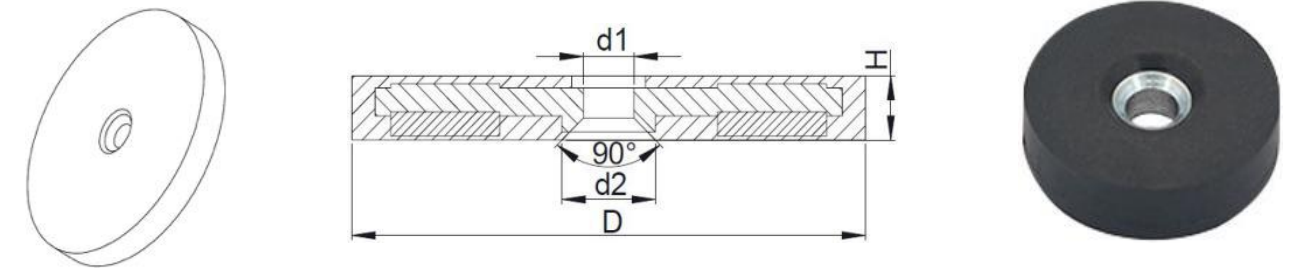


# Rubber Coated Magnet

## ● Neodymium Rubber Coated Magnet

With Counter Bore

Model	D (mm)	d1 (mm)	d2 (mm)	H (mm)	Weight(g)	Breakaway(kg)
STA22	22	4.5	8.6	6	8	2
STA34	34	4.5	8.6	8	20	6
STA43	43	4.5	8.6	6	27	9
STA57	57	5.5	10.6	8	77	18
STA66	66	6.5	12	8	100	20
STA88	88	8.5	19	8.5	182	42

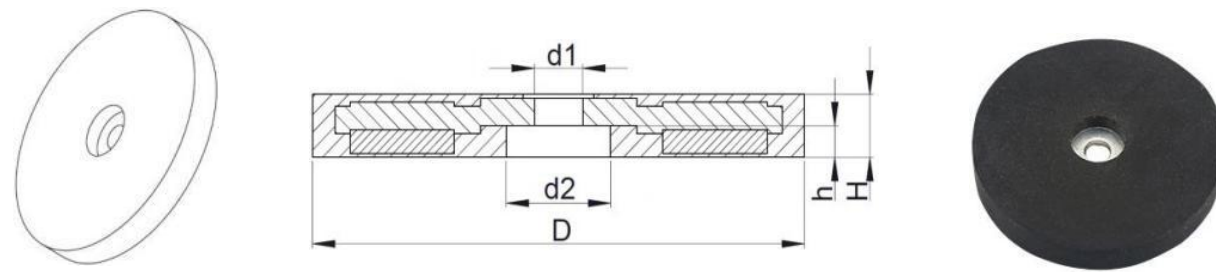


# Rubber Coated Magnet

## ● Neodymium Rubber Coated Magnet

With Bore

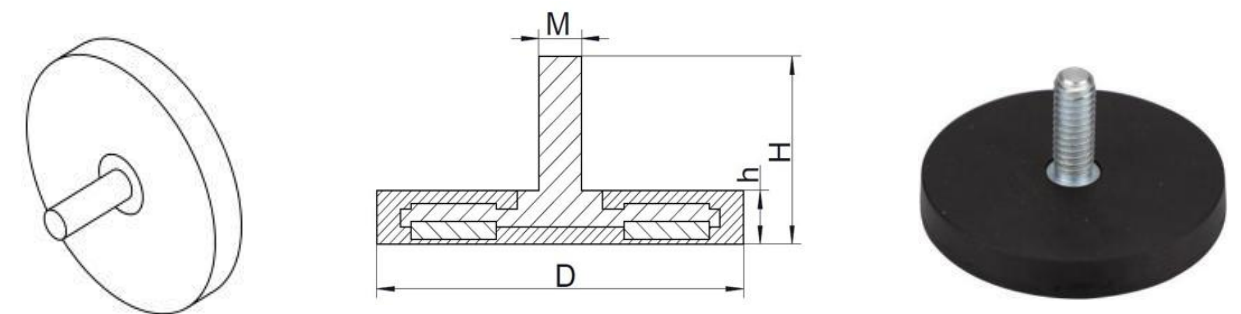
Model	D (mm)	d1 (mm)	d2 (mm)	H (mm)	Weight(g)	Breakaway(kg)
STB22	22	4.5	8.6	3	6	8
STB34	34	4.5	9.5	4	8	20
STB43	43	4.5	9.5	3	6	27
STB57	57	5.5	12	4	8	77
STB66	66	6.5	14	4	8	100
STB88	88	8.5	18	4	8.5	182



## ● Neodymium Rubber Coated Magnet

With External Thread

Model	D (mm)	H (mm)	M (mm)	Weight(g)	Breakaway(kg)
STC22	22	6	12.5	M4	14
STC34	34	6	16.5	M4	25
STC43	43	6	21	M6	32
STC66	66	8	23	M8	107
STC88	88	8.5	24.5	M8	193

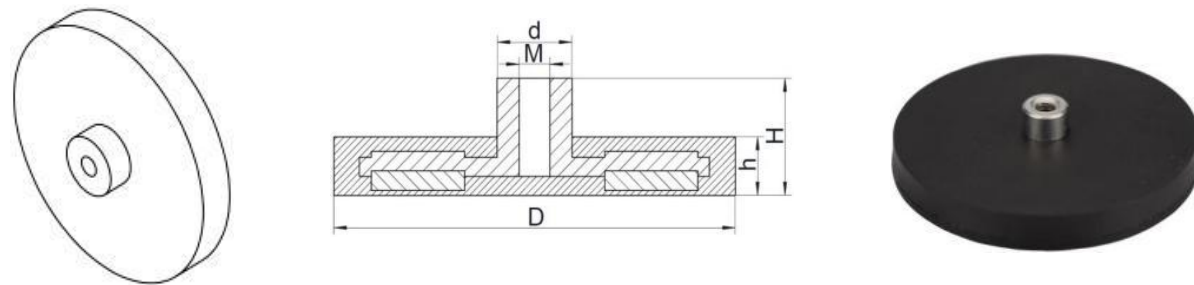


# Rubber Coated Magnet

## ● Neodymium Rubber Coated Magnet

With Screwed Bush

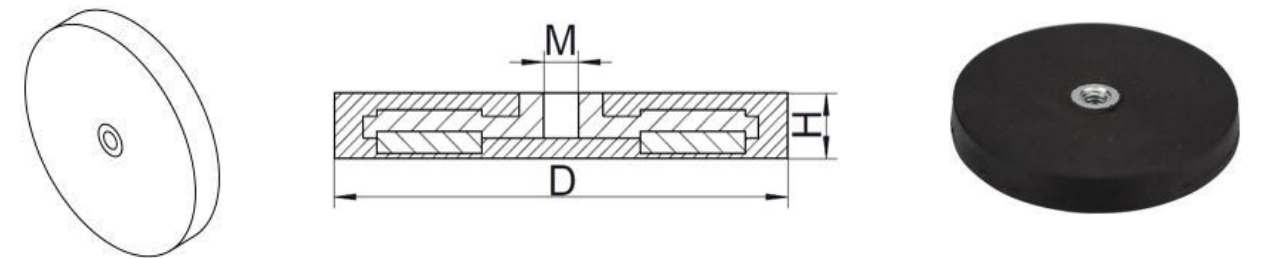
Model	D (mm)	H (mm)	M (mm)	Weight(g)	Breakaway(kg)
STD22	22	8	6	11.5	M4
STD34	34	8	6	14	M4
STD43	43	8	6	12	M4
STD66	66	12	8	14.2	M5
STD88	88	12	8.5	15.8	M8



## ● Neodymium Rubber Coated Magnet

With Flat Thread

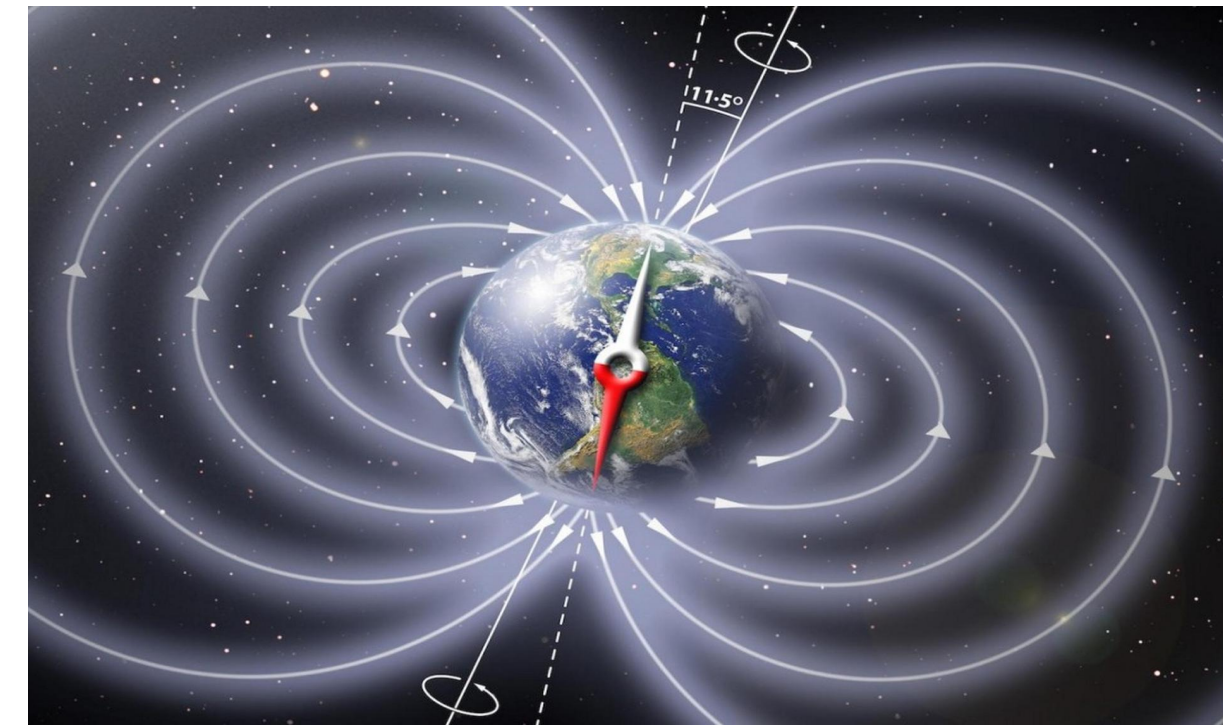
Model	D (mm)	H (mm)	M (mm)	Weight(g)	Breakaway(kg)
STP22	22	6	M4	11	4
STP34	34	6	M4	20	6
STP43	43	6	M4	29	8
STP66	66	8	M6	100	20
STP88	88	8.5	M8	186	42



# Handling Magnet

- **Processing of Magnet**

The magnet's attracting and repelling forces represent a potential safety hazard. Magnets can attract and repel even at great distances - thus representing a risk of injury. Sintered magnets are hard, brittle and, when they collide, break apart into sharp-edged pieces. Any type of collision should be avoided at all times. The powerful attractive forces of the magnet can crush one's skin, so work only when wearing suitable protective clothing!



- **Application of Magnet**

Magnets may not be installed in potentially explosive environments because it could cause sparking. Strong magnetic fields may affect the electrical or electronic devices. This is also true of pacemakers. We are not aware of any adverse affects to the human body as a result of exposure to magnetic fields.

- **Shipping of Magnet**

Magnets are not classified as hazardous goods when shipped by road or sea. For air shipments, pls refer to the packaging regulations for hazardous goods No. 953 of the IATA. When shipping via parcel services, magnets can lead to problems if not packaged properly. For example, this could affect goods (electronic devices, chip cards) in other parcels or the sorting equipment of the parcel service. The parcel could also become attached to metallic objects during transport.