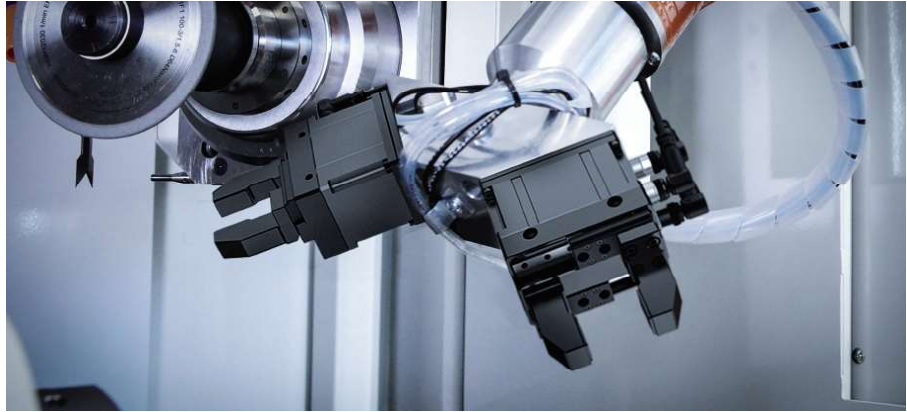




PGI Series

Industrial Parallel Grippers

Applications



Machine Tending



Pick & Place



Assembly



Quality Inspection



Packaging



Precision Machining

Features-PGI Series

Fieldbus communication integrated

flexible installation

Self-locking for safe grip

High IP rating

Gripping feedbacks with drop detection

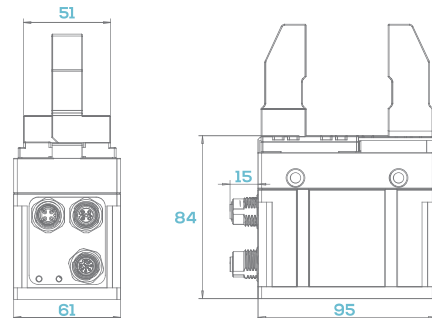
Easy commissioning with various industrial robots

PGI Series

Industrial parallel grippers

PGI-140

- Easy commissioning
- Everything integrated inside
- Gripping feedbacks with drop detection
- Self-locking
- Mounting holes on 3 sides, flexible installation
- Designed for harsh environment



(Unit: mm)

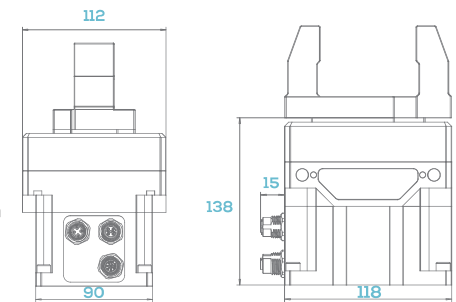
Max payload	2.5 kg*
Opening stroke	0–80 mm
Gripping force	40–140 N
Weight	1.2 kg
Power supply	24 V DC \pm 10%
Position repeatability	\pm 0.03 mm
Full-stroke closing time	0.7 s
Ingress protection rating	IP 54
Communication protocols	I/O CAN/PROFINET/ Modbus RTU(RS 485)/ EtherCAT(Optional)



*Related to the shape of object and friction between object and fingertips.
The offset of centre of gravity may also influence the payload.
Contact DH-Robotics for support if uncertainty remains

PGI-800

- Easy commissioning
- Everything integrated inside
- Gripping feedbacks with drop detection
- Self-locking
- Mounting holes on 3 sides, flexible installation
- Designed for harsh environment



(Unit: mm)

Max payload	8 kg*
Opening stroke	0–100 mm
Gripping force	200–800 N
Weight	3.5 kg
Power supply	24 V DC \pm 10%
Position repeatability	\pm 0.03 mm
Full-stroke closing time	0.8 s
Ingress protection rating	IP 67
Communication protocols	I/O CAN/PROFINET/ Modbus RTU(RS 485)/ EtherCAT(Optional)



*Related to the shape of object and friction between object and fingertips.
The offset of centre of gravity may also influence the payload.
Contact DH-Robotics for support if uncertainty remains