

**ICIL**

**IP67**

# INTEGRAL CABLE AND INTERCONNECT LLP

## CT SERIES TWIST LOCK COMBO CONNECTOR FOR ELECTRICAL VEHICLE

- ❖ Heavy duty, robust and strong
- ❖ Polarization provided by insulator to avoid wrong mating.
- ❖ High mating cycles
- ❖ Integrated combo design 2 power+4 data signal
- ❖ Solder type terminal make easier onsite installation.
- ❖ Customized options available as per customer requirement.
- ❖ Current rating up to 60 amp for power and 3 amp for data signal.
- ❖ Twist locking provided with spring back to sustain vibration conditions.
- ❖ Stylish look over molded male and Female connector.
- ❖ IP 67 water ingress protection
- ❖ RoHS compliance available on request



**Catalog Rev. 0**



Female connector 2 power + 4 signal with dust cap for Battery



Male 2 power + 4 signal Right angle Cable over molded connector



Female connector 2 power + 4 signal straight over molded



Male connector 2 power + 4 signal straight over molded

*Highest Quality Standard connector With Innovative Contact Design For Highest mating cycles Performance at Affordable Price.*

*Manufacturer of IP68, Circular, Rectangular, power, signal & combo connectors.*

[www.integralconnect.in](http://www.integralconnect.in)

▪ **Materials and Finishes**

Insulator: Nylon, Glass filled, UL 94 V0 Black , Contacts : Precision Machined Copper alloy gold plating.

Rubber Parts: Silicon, (RoHS compliant available on request)

▪ **Mechanical Characteristics**

1] Polarization provided by Insulator. 2] Mating cycles: 2000 cycles

3] Contact style: fixed solder type

▪ **Electrical Characteristics**

Contact Current Ratings: Signal contact- 3-amp, Power contact – upto 60amp (chose cable accordingly)

Contact Resistance – 10 mΩ ; Insulation Resistance : >500 M Ohm

Working Voltage: Signal contact = 250 V r.m.s, Power contacts: 500V r.m.s ; AC/DC

Dielectrics withstand Voltage: 1000 V r.m.s

▪ **Climatic Characteristic**

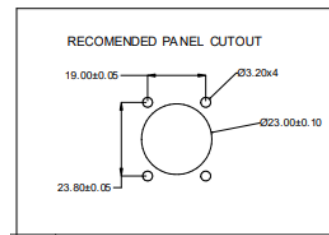
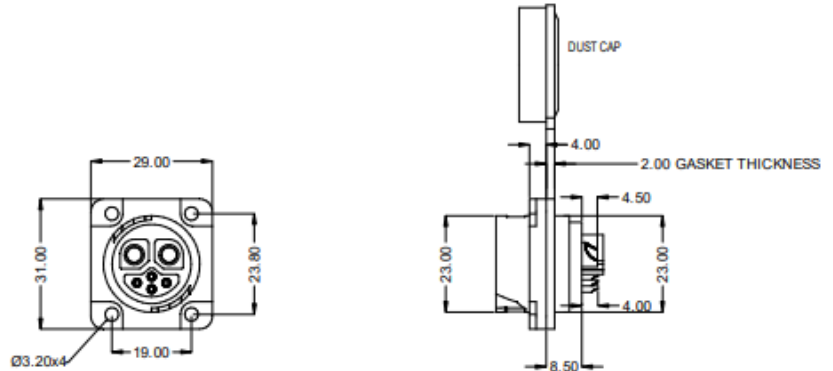
**Working temperature**: -45°C to +105 °C , # **Water ingress protection** : IP67 per IS/IEC 60529:2001

RoHS Complaint: RoHS Compliance available on request.

## CT series Female combo connector with dust cap 2 power + 4



**CT4W2SG0G0**

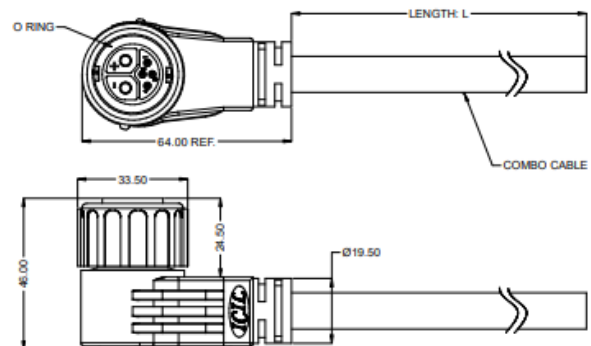


Customized pin and cable configuration available: for example, only 2 powers, 2 power + 1 to 4 any signal configuration.

## CT series 2+4 Male combo Right angle connector over molded



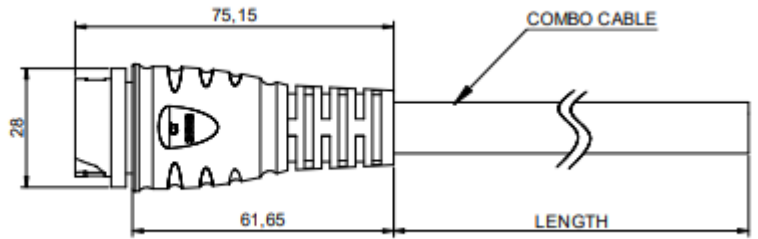
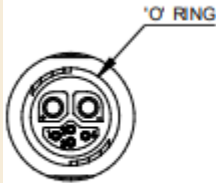
**CT4W2PR1BG0-LXX**



Customized pin and cable configuration available: for example only 2 power, 2 power + 1 to 4 any signal configuration. Cable size and length customer specified.



### CT series 2+4 Female combo connector straight over molded

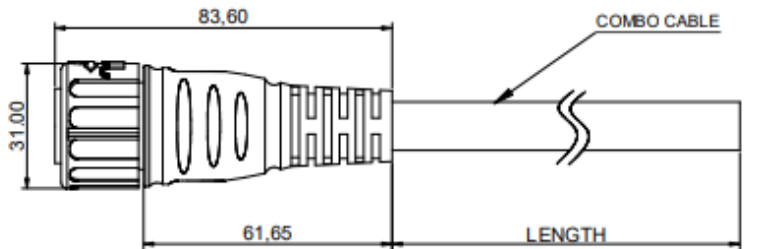


**CT4W2SD1AG0-LXX**

Customized pin and cable configuration available: for example only 2 power, 2 power + 1 to 4 any signal configuration. Cable size and length customer specific.

only basic dimensions are shown here. Full dimensional detail is available in the respective product drawings.

### CT series 2+4 Female combo connector straight over molded



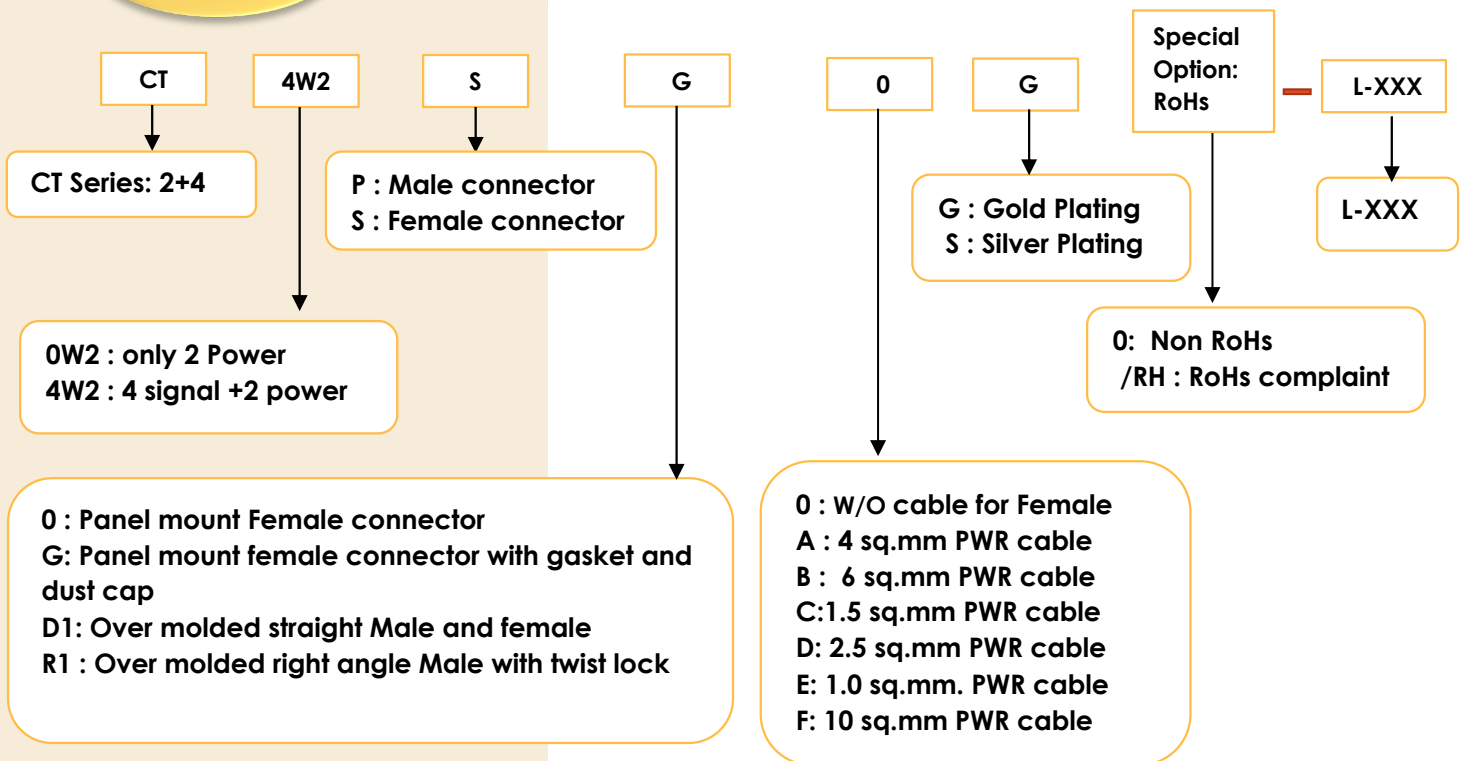
**CT4W2PD1AG/RH-LXX**

Customized pin and cable configuration available: for example, only 2 power, 2 powers + 1 to 4 any signal configuration. Cable size and length customer specific.

only basic dimensions are shown here. Full dimensional detail is available in the respective product drawings.



**CT Series connector Ordering Part selection Chart**  
Specify complete connector Part no. by following step 1 through step 7.



**Contact US : Integral cable and Interconnect LLP.**

Factory Address: S.no. 44/5, Narhe Industrial association lane no.1, Narhe , Pune-411041, India

Contact Person: Roshan Ballamwar  
Contact No. : +91 9030038247  
Email ID: [roshan@integralconnect.in](mailto:roshan@integralconnect.in)

Contact Person: Pavankumar Potluri  
Contact No.: +91 7659806789  
Email ID: [pavan@integralconnect.in](mailto:pavan@integralconnect.in)

Contact Person: Pravin Raghuvanshi  
Contact No. : +91 9284232699  
Email ID: [r.pravin@integralconnect.in](mailto:r.pravin@integralconnect.in)

Sales Office: Pune, Hyderabad Distributor location: Pune, Mumbai, Bangalore, Delhi  
[www.integralconnect.in](http://www.integralconnect.in)