

ICIL

INTEGRAL CABLE AND INTERCONNECT LLP

Miniature IP 67, 68 Circular Connectors IC series

- Rugged Miniature design
- Custom pin configuration Available.
- 3A,5A,10A, 15A,20 AMP Current Carrying capacity/Pin.
- Gold/Nickel plated Solid Machine contacts
- Waterproof- IP67/68
- Flammability rating UL94V-0 Material
- Positive locating keyways - cannot be mis-mated
- Metal body Male connector available

IP68



IC series Over molded IP68 connectors



IC Series Panel Mount connector



IC series Hood type connectors



IC series Panel Mount with Jam Nut

Highest Quality Standard connector With Innovative Contact Design For Highest mating cycles Performance at Affordable Price.

Manufacturer of IP68, Circular, Rectangular, power, signal & combo connectors.

www.integralconnect.in

ICIL

IC12 Series Connector Versions



2 Pin



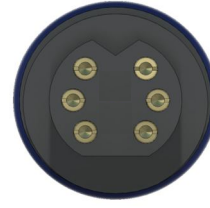
3 Pin



4 Pin



5 Pin



6 Pin



8 Pin

IC Power series connector available with 2,3, 4 Pin with same options

Technical Details

❖ Materials and Finishes

Insulator: Glass-filled nylon, UL 94V-0.

Contacts: Precision machined copper alloy with A)gold over nickel plate.

B) Nickel over copper plate.

'O' Ring/Rubber parts : Silicon, Hi Nitrile

❖ Mechanical Characteristics

Polarization: Provided by insulator to avoid mis-mating.

Fixed Contacts: Size 20 female contacts feature "Open Entry" 500 Mating cycles.

Contact Retention in Insulator: Signal Contacts: 27 N Min.

Power contacts : 57 N Min.

Locking System: Threaded Lock coupling.

❖ Electrical Characteristics

❖ Contact Current Ratings

Signal Contacts: 3 amperes nominal with Nickel plating.5Amp with gold plating

Power contacts : 10Amp with Nickel Plating, 20amp with Gold plating

Initial Contact Resistance : 0.005 ohms, max. per IEC 512-2, Test 2b.

Insulator Resistance per IEC 512-2, Test 3a. Insulator: 5 G ohms, minimum.

❖ Proof Voltage

Signal Contacts: 1000 V r.m.s.

Power contacts : 1500 V r.m.s

❖ Working Voltage

Signal Contacts: 250V r.m.s., Power contact 500V r.m.s

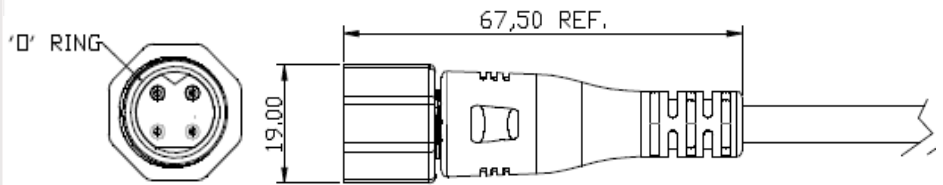
❖ Climatic Characteristics

Working temperature: -55°C to +105°C

Dust and Water Ingress: IP67 / IP68 with over mold cable Assemblies
per IS/IEC 60529:2001

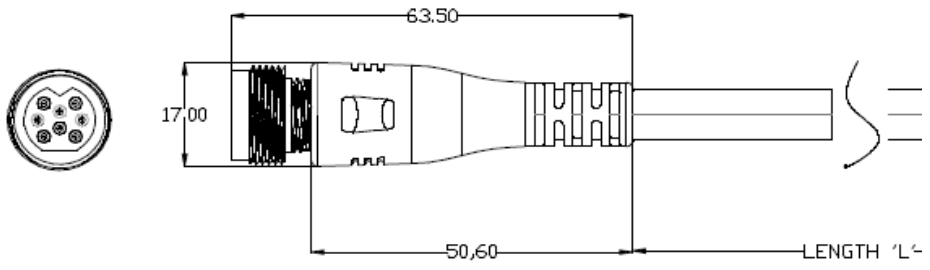
ICIL

IC series Male /Female connector (With Threaded lock)



Cable Dia.: up to 8 mm , cable Length customer Spec.

IC series Male and Female connector with Over mold



Cable Dia.: up to 8 mm ,cable Length customer spec.

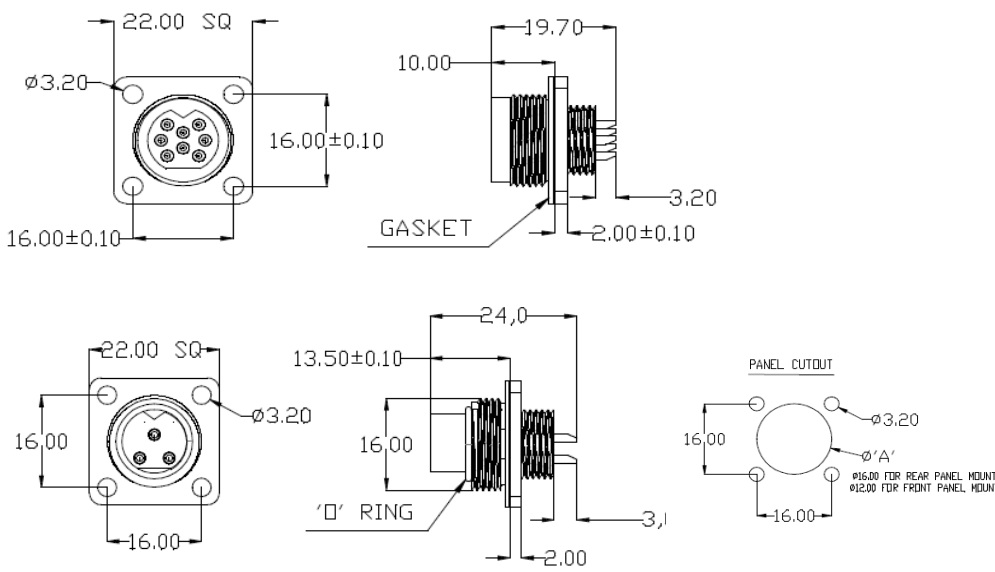
IC series Male/Female Panel mount connector with SQ.



Part No.: IC12P8F00G



Part No.: IC12S8F00G



ICIL

IC series M/F Panel Mount connector with Jam Nut M12 M16 -Plastic and Metal (IP 67/68)



Part No. : IC12P4A00N



IC12S8B00G



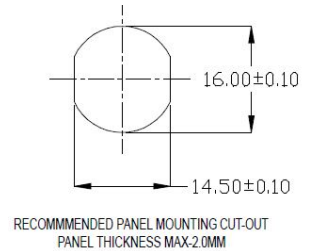
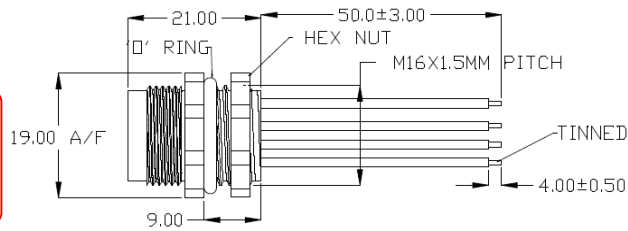
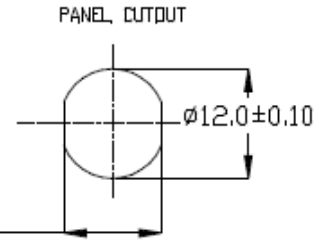
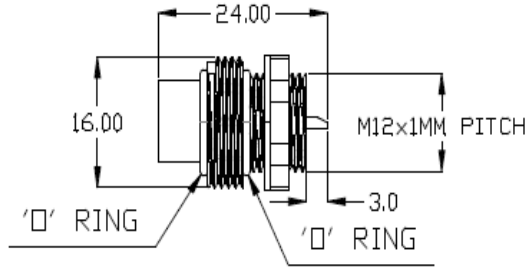
Part No. : IC12P5H00G



Part No. : IC12P4M00G



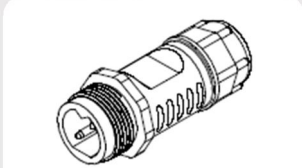
Threaded **IP Dust cap** with Rope Available With Panel Mount Connector



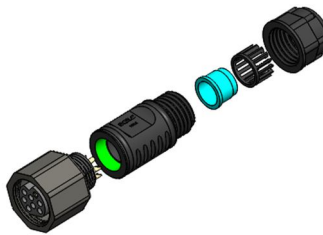
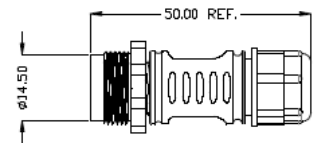
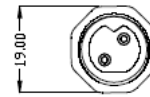
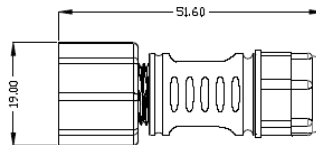
IC series Male and Female Connector with Hood (IP 67)



Part No. : IC12S8D10N



Part No. : IC12P2E00N

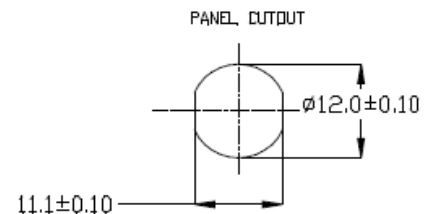
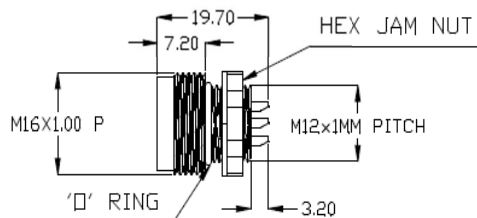


Choose Option **D** for -Cable Dia. 4-6 mm
Option **E** for - Cable Dia. 6-8 mm in part selection

IC series Power Male and Female Panel Mount Connector (IP 67)



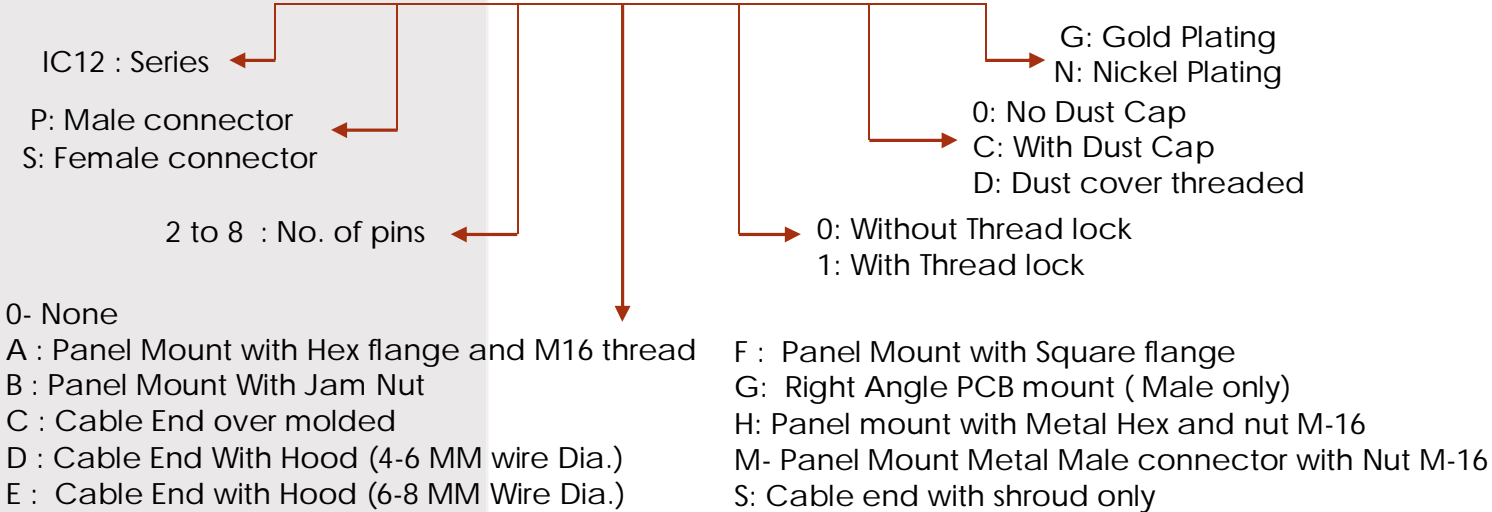
Part No. : ICP12P3B00N



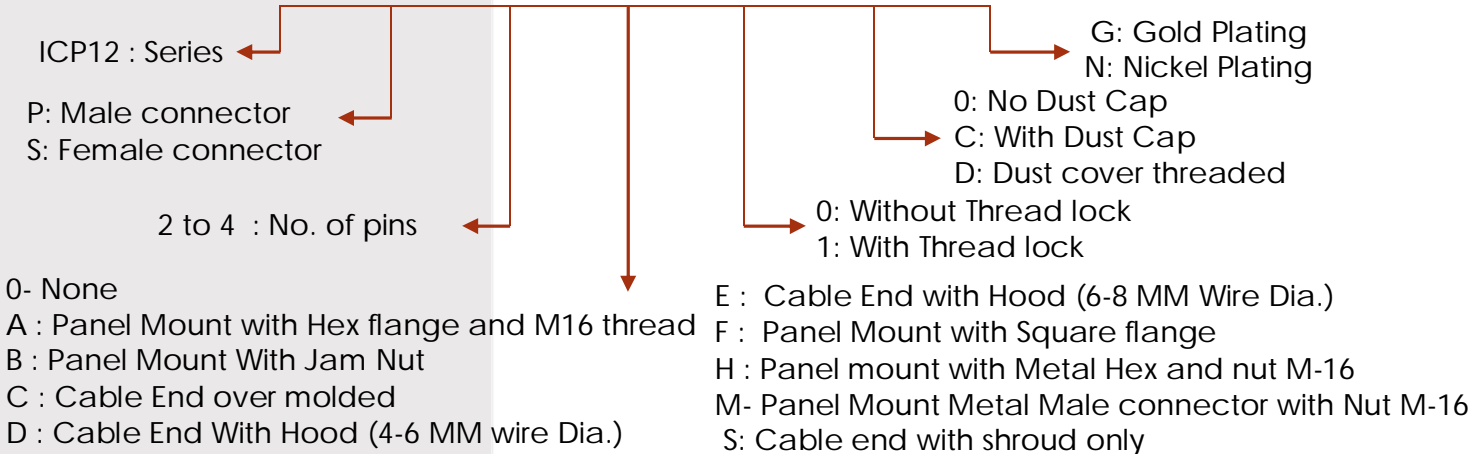
IC Power series connectors available with 2,3,4 pins with all mounting option same as signal connector as above (for example panel mount, hood, over molded.)



IC Series connector Ordering Part selection Chart
Specify complete connector Part no.by following step 1 through step 7.



IC Power Series connector Ordering Part selection Chart
Specify complete connector Part no.by following step 1 through step 7.



Contact US : Integral cable and Interconnect LLP.
Factory Address : Sr. No. 13/2 B -606 orchid Plaza near JSPM college, Narhe, Pune 411041,India

Contact Person: Roshan Ballamwar Contact Person: Ajit Kshirsagar
Contact No. : +91 9030038247 Contact No. +91 9822495243, +91 8793007075
Email ID: roshan@integralconnect.in Email ID: ajit@integralconnect.in
Sales Office : Pune ,Hyderabad Distributor location: Pune, Mumbai,Bangalore,Delhi
www.integralconnect.in