

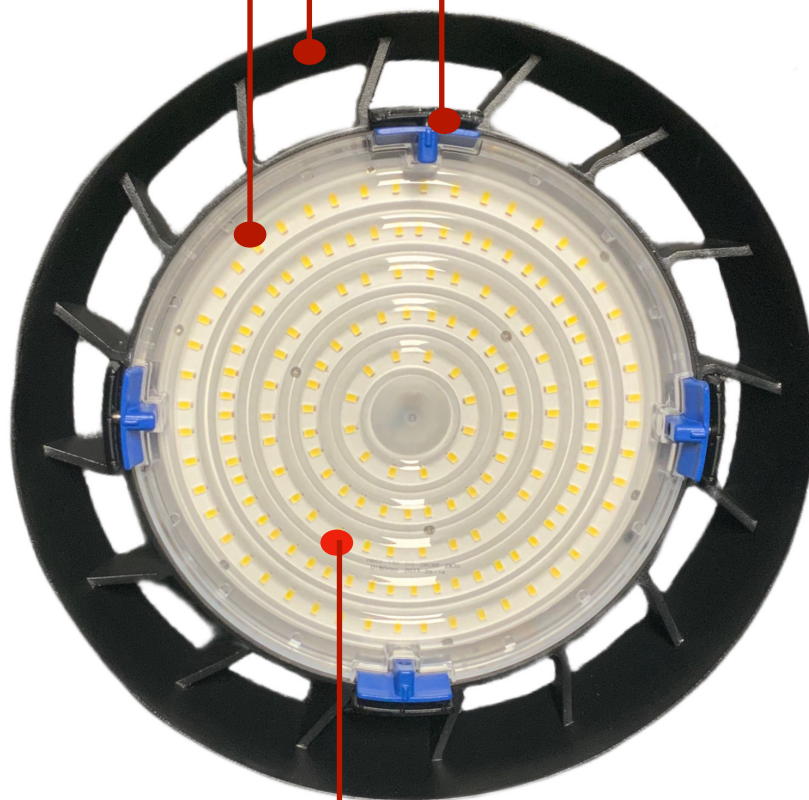
Adjustable Beam Angle LED Highbay

Aluminium Heatsink

Lens Adjustment: 60° 90° 105°

High Lumen 3030 LED

Constant Current LED Control gear



Diffusion Lens

Power Selection Switch: Low
Medium
High

LED - HIGHBAY LIGHT

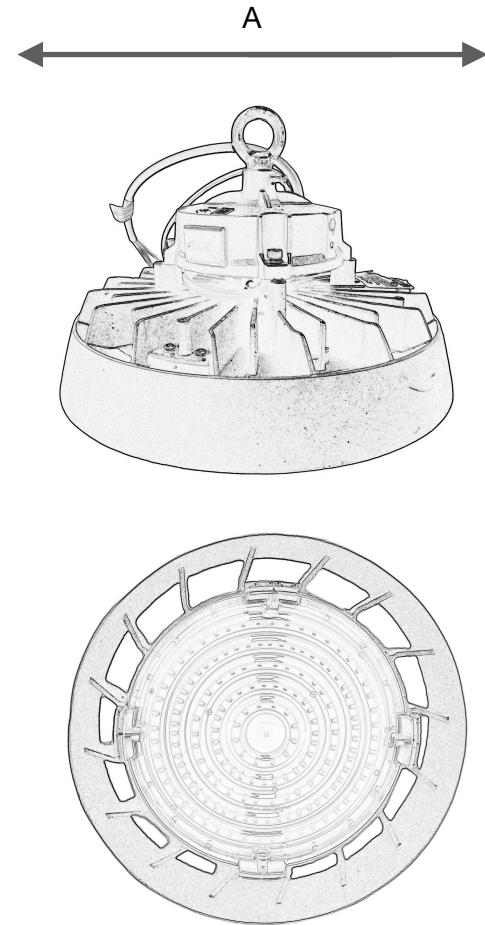


Model	Power	Luminous Efficacy	Luminous Flux	IP Rating	Impact Rating	Dimming
ELHB150	150W	155lm/w*	23250lm	IP65	IK08	1-10V

Electrical Data		Photometric Data	
Operating Voltage	100 - 277V	Luminous Flux	155lm/w
Frequency	50/60Hz	Colour Rendering Index	<80
Power Factor	0.95	Colour T°K	5000K
Efficiency	92%	SDCM	3
Start-up Time	0.1S	Light Distribution Angle	60° 90° 105°
THD	15%	Unified Glare Rating	22

Standards		Temperature & Operating Conditions	
Compliance	SANS (IEC) 60598 IEC 60529 CE RoHS	Operating Temperature	20 ~ + 50°C
		Ambient Temperature	-40 ~ +65°C
		LED Life Span	50 000hrs (L80 B10) @ 25°C
IP Rating	IP65	Warranty	5 Years
IK Rating	8	Surge Protection	6kV (10kV optional)

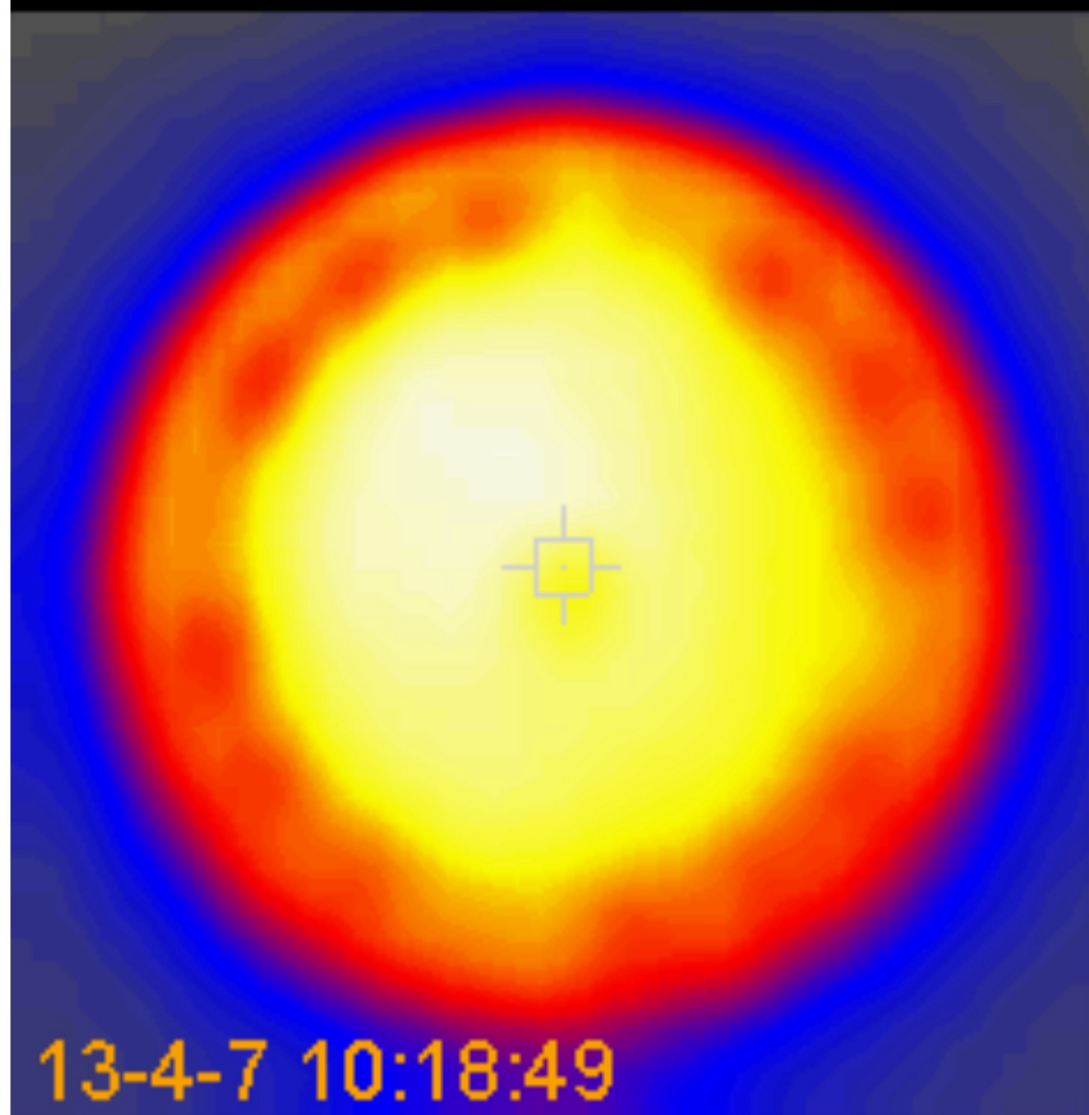
Electronic Control Gear			
Brand Model	Sossen	Lifetime	50 000 hours@ 70°C
Iout	2.8A max	Surge Protection	6kV (10kV/20kV optional)
SELV	17- 54V DC		



Dimensions	
A - Diameter \varnothing	271mm
B - Height	150mm
C - Outer Diameter \varnothing	271mm
Weight	2.5Kg

52.5°C

e=0.95



13-4-7 10:18:49

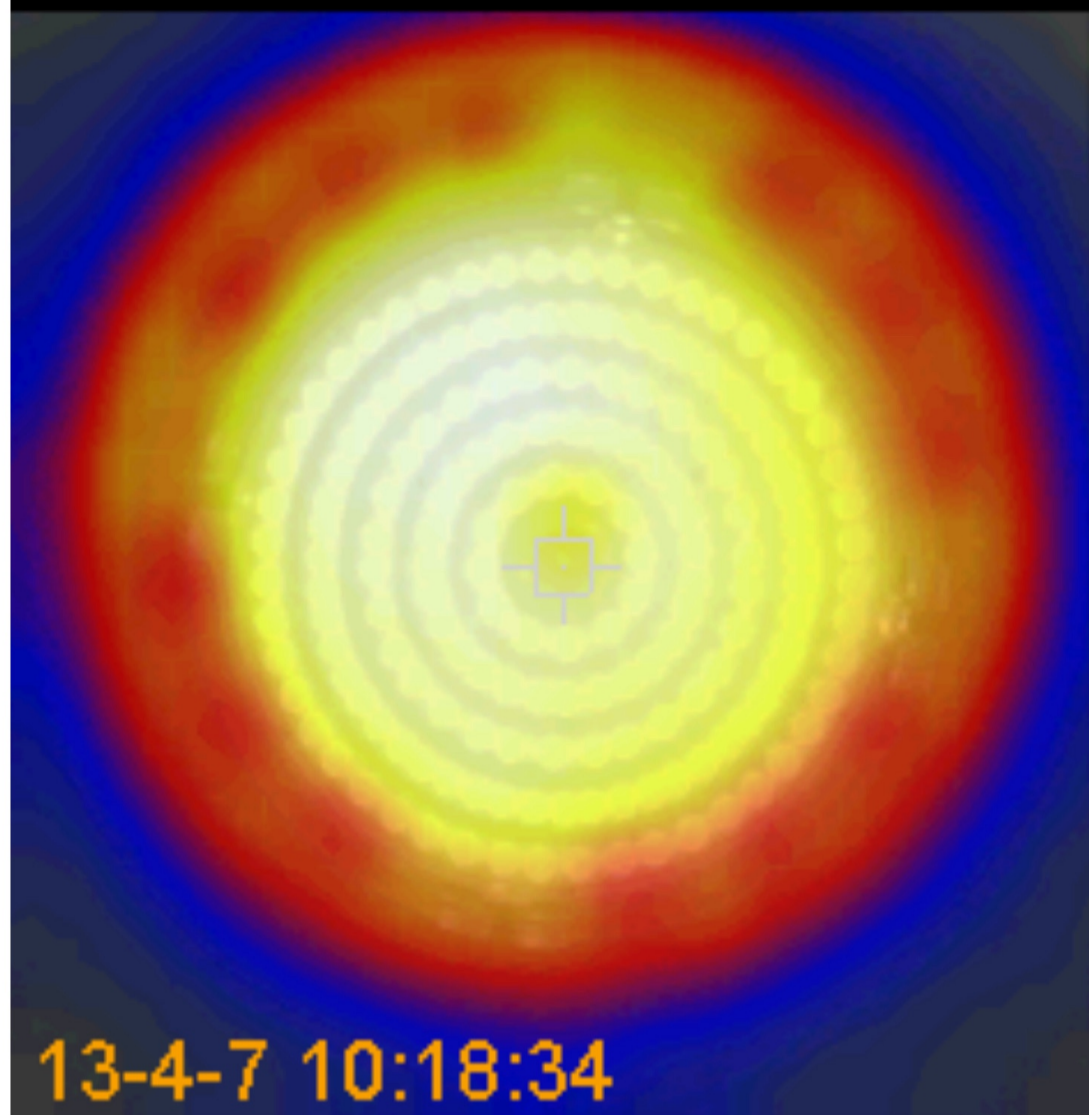
MIN:10.8°C
MAX:58.3°C

10:18



55.4°C

e=0.95



13-4-7 10:18:34

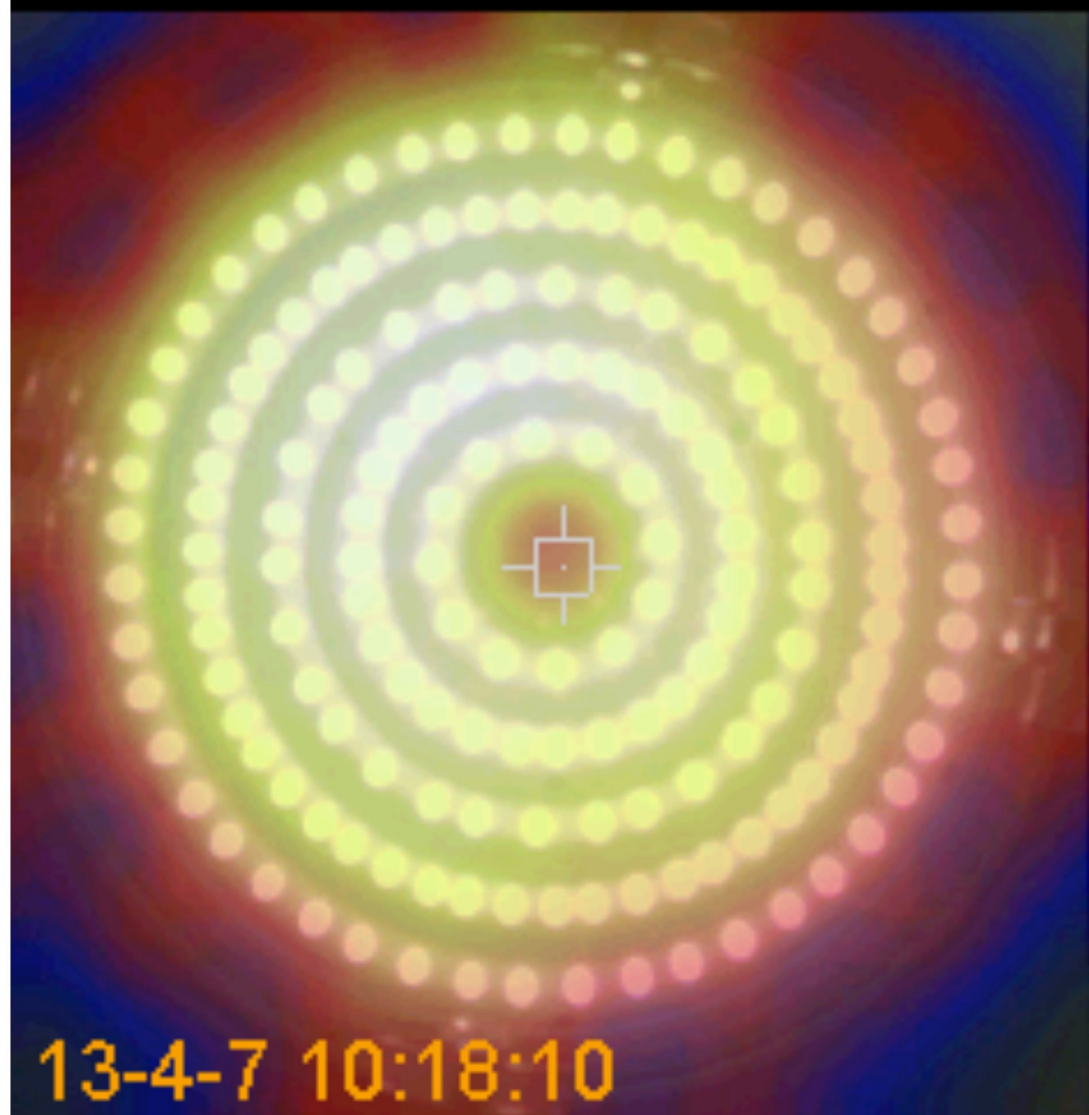
MIN:19.2°C
MAX:58.6°C

10:18



47.9°C

e=0.95



13-4-7 10:18:10

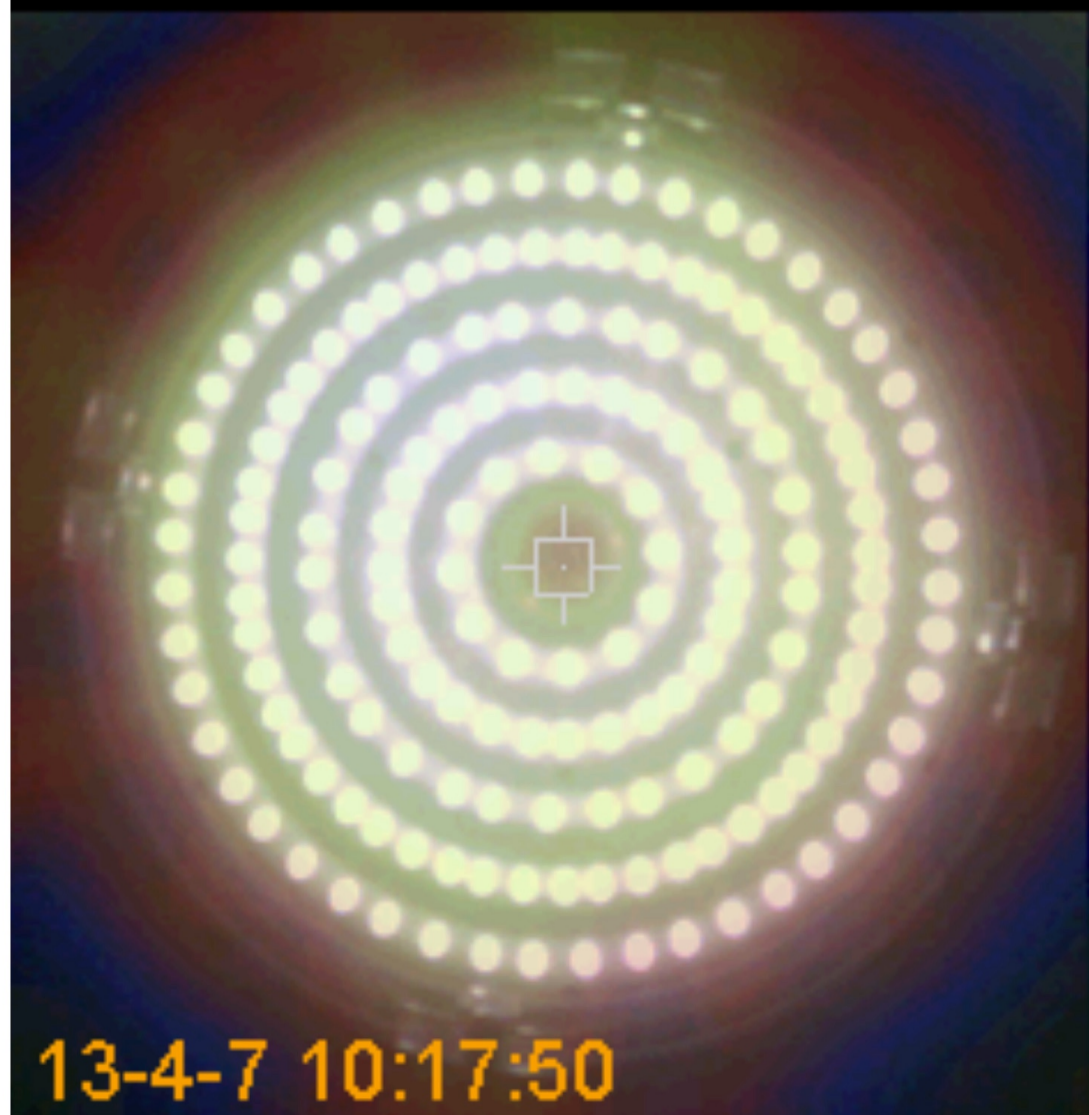
MIN:47.9°C
MAX:59.6°C

10:18



47.4°C

e=0.95



13-4-7 10:17:50

MIN:31.4°C
MAX:57.3°C

10:17





eLighting

www.elighting.co.za info@elighting.co.za Tel: +27 11 454 3964
Unit B4 Growthpoint Industrial Estate. 1 Bell Street, Meadowdale,
Germiston.1609