

---

# SCHÜCO ADS 75 HD.HI

ALUMINUM ENTRANCE DOOR SYSTEM



SCHÜCO

# SCHÜCO ADS 75 HD.HI



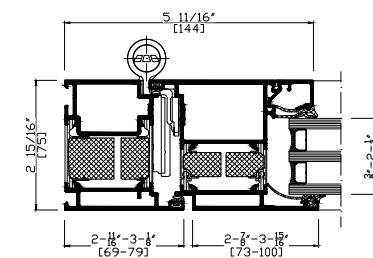
Excellent insulation properties combined with high stability –the Schüco ADS 75 HD.HI door system with a basic depth of 2-15/16" (75 mm) offers high functional reliability for all requirements in luxury residential and commercial buildings.

With its construction principle and modular gasket system, the systems offers high standards in thermal insulation, weather tightness, loadbearing capacity and durability for aluminum door systems.

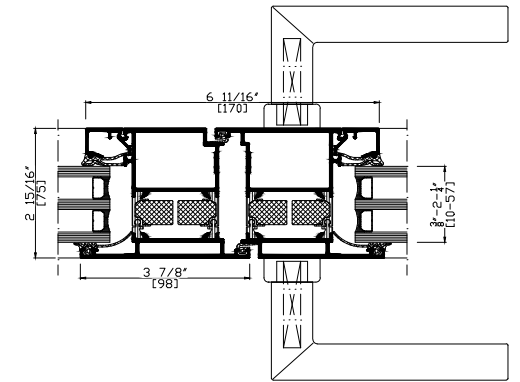
With a broad portfolio of fittings and design options, the Schüco ADS 75 HD.HI allows stylish door solutions which meet every requirements for all areas of life and work.

## PRODUCT BENEFITS

- Opening width up to 9'-2" (2800 mm) for double door and up to 4'-7" (1400 mm) for single door leaf
- Generous clearance height of up to 10' (3048 mm)
- Max. leaf weight 440 lb. (200 kg)
- Barrel hinge with reinforced design
- Choice of continuous sill profile or ADA 10" bottom rail
- Easy-access (ADA) threshold options
- Concealed hinges
- Adjustable sill allows for on-site modifications
- Continuous door threshold option using t-cleats



Inward Opening ADS 75 HD.HI



ADS 75 HD.HI Double Door Meeting Stile

## TECHNICAL DATA

Variants



Max. leaf size	Single Leaf: 4'-7" x 10' (1400 mm x 3048 mm) Double Leaf: 9'-2" x 10' (2800 mm x 3048 mm)
Max vent weights	330 lbs. (150 kg) for door leaf widths greater than 4' (1219 mm) 440 lbs. (200 kg) for door leaf widths less than 4' (1219 mm)
IGU Thickness	3/8" – 2-1/4" (10 mm – 57 mm)
Hardware	Three part barrel hinges
Water Tightness	Single Leaf, Inward Opening: 2.92 psf (140 Pa), 4.59 psf (220 Pa) with drip bar
Thermal Example	0.36 Btu/hr-ft2-°F* 0.28 Btu/hr-ft2-°F**

\*Information based on NFRC standard test size, IGU U-Value 0.29 with TGI-M spacer

\*\*Information based on NFRC standard test size, IGU U-Value 0.16 with TGI-M spacer

Are you planning a building project using Schüco systems or would like to in the future? **Contact us.**

Schüco develops and sells system solutions for windows, sliding doors and facades. In addition to innovative products for residential and commercial buildings, the building envelope specialist offers consultation and digital solutions for all phases of a building project – from the conceptual idea through final design onto fabrication and installation. Machinery for fabrication and a 360° cycle of sustainability complement the range of products and services.

With more than 5,400 employees worldwide, Schüco strives to be the industry leader in terms of technology and service today and in the future. To this end, the company is always developing and testing new products and services for the entire building envelope, taking into account current market trends and standards. 12,000 architects, investors, developer, fabricators and glazing contractors around the world work together with Schüco. The company is active in more than 80 countries and achieved a turnover of 2.08 billion USD in 2019.

**Schüco USA LLLP**

240 Pane Road  
Newington, CT 06111  
Email: [info@schuco-usa.com](mailto:info@schuco-usa.com)  
Phone: +1 860.666.0505

[www.schuco-usa.com](http://www.schuco-usa.com)

