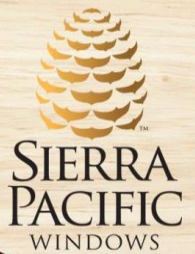


TimberLITE™ 2.0



Make a dramatic statement to a home or building using our custom-designed TimberLITE™ 2.0 system with all-wood interiors and structural integrity. These unique wall systems feature a thick veneer over LVL beams allowing for **narrow sight lines**, creating walls of glass that can be designed into your residential or commercial projects. The TimberLITE™ 2.0 wall system is fabricated and prepped at the factory to allow for **easier installation** in the field. Enjoy maximum unobstructed views or compliment your design with our operable doors and windows for ventilation and functionality.

Product Features:

- Narrow sight lines – Larger daylight openings
- Veneer up to 16' for min. splices
- Snap together assembly with shear blocks
- No exposed fasteners
- Pin anchors allow for uniform reveal
- Pressure-equalized glazing system
- Operable windows & doors work in system

Product Parameters:

- 2-1/8" LVL beams up to 20'
- C & Better Grade 1/4" VG doug fir veneer
- CoreGuard Plus™ treated beams
- 4-1/4" min. horizontal mullions
- 4-3/4" min. vertical mullions (punched openings)
- 5-1/2" min. vertical mullions (GroundLINE)
- Glass 1" – 2" OA @ 1/4" increments



Featuring NEW GroundLINE Option



Interior

Performance Data:

TESTED WALL CONFIGURATION: 126" X 102"*

AIR INFILTRATION.....0.03 @ 6.24 PSF
 WATER..... NO LEAKAGE @ 10.5 PSF
 STRUCTURAL..... +70/-70 (DP 70)

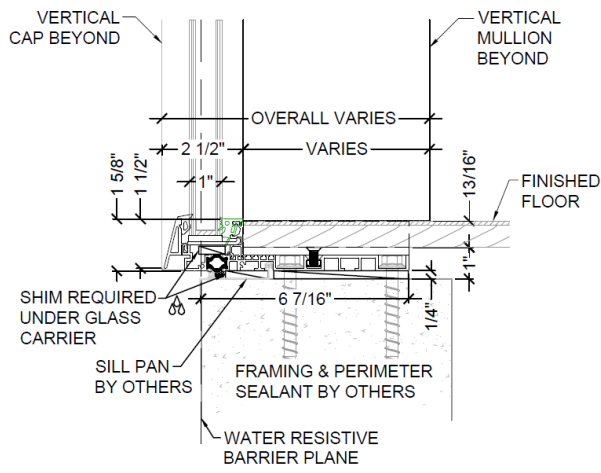
*The stated values for air, water, and structural windload are a base representation of a test specimen measuring 126" (3200mm) wide by 102" (2590mm) high. Configurations and sizes will vary per project therefore engineering must be consulted to determine the

Thermal Performance (NFRC):

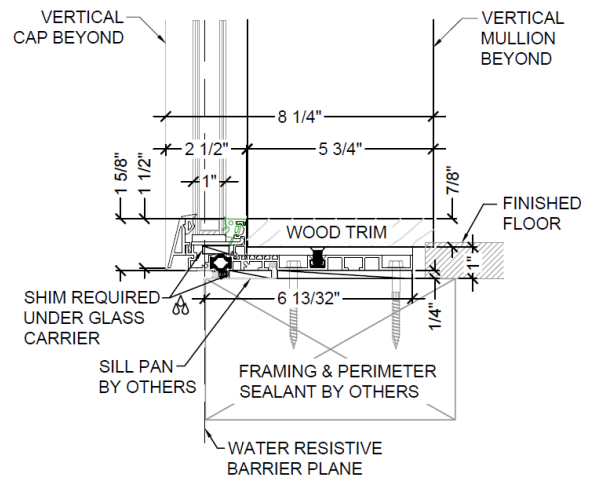
Air Filled			Argon Filled		
Low-E 272 Clear	Low-E 366 Clear	Triple IG (LE272/LE180/Clear)	Low-E 272 Clear	Low-E 366 Clear	Triple IG (LE272/LE180/Clear)
U-FACTOR.....0.33	U-FACTOR.....0.32	U-FACTOR.....0.20	U-FACTOR.....0.29	U-FACTOR.....0.28	U-FACTOR.....0.17
SHGC.....0.37	SHGC.....0.26	SHGC.....0.32	SHGC.....0.37	SHGC.....0.25	SHGC.....0.32
VT.....0.64	VT.....0.58	VT.....0.56	VT.....0.64	VT.....0.58	VT.....0.56
CR......49	CR......49	CR......64	CR......52	CR......52	CR......66

All values represent insulated glass units using Cardinal spacer. Additional glazing options available.

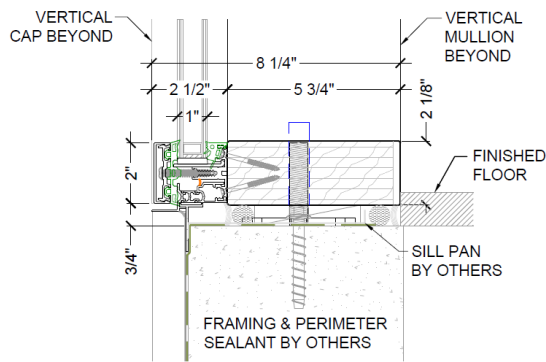
2/22/2024



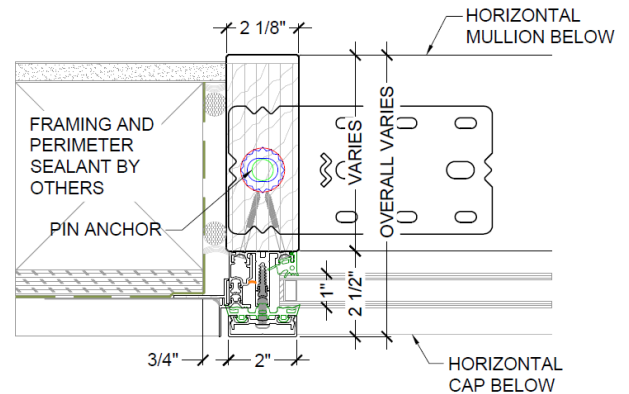
GroundLINE Sill



Wood Trim Sill



Punched Opening Detail



Horizontal Perimeter

Additional product details are coming soon to our website www.sierrapacificwindows.com/ProfessionalResources/TechnicalLibrary



Every TimberLITE 2.0 wall system is custom designed to meet a project's performance requirements and uniqueness. Contact your Sierra Pacific Windows Architectural Consultant to discuss the limitless design potential our wall systems can provide.

TimberLITE™ Wall System Additional Options

- White Oak Glulam Beams
- Exterior Wood Cap
- Oversized Glass
- All wood system for interior applications



Please visit our website for additional details or to contact your nearest Sierra Pacific Architectural Consultant.