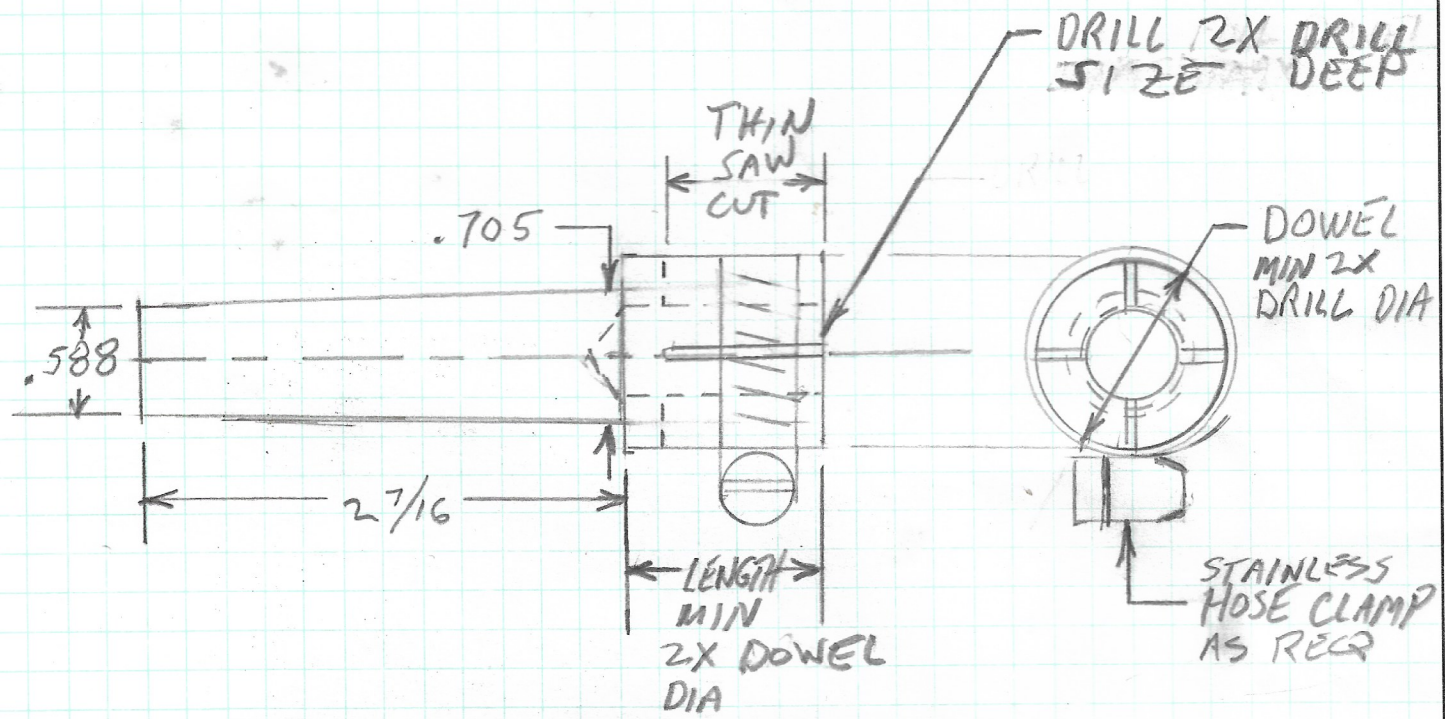


MODEL		TITLE	BY	
FILE		COLLET PLAN	DATE	
JOB			PAGE	OF



MATERIAL CUT LIST TABLE

COLLET CLAMPING SIZE NEEDED	DOWEL MIN	LENGTH MIN	SAW CUT LENGTH
UP TO 3/8"	3/4"	1 1/2"	1/2"
UP TO 1/2"	1"	2"	3/4"
1/2" TO 3/4"	1 1/2"	3"	1"

NOTES

1. HARDWOOD REQUIRE FOR REPEAT USES