

CUT LIST

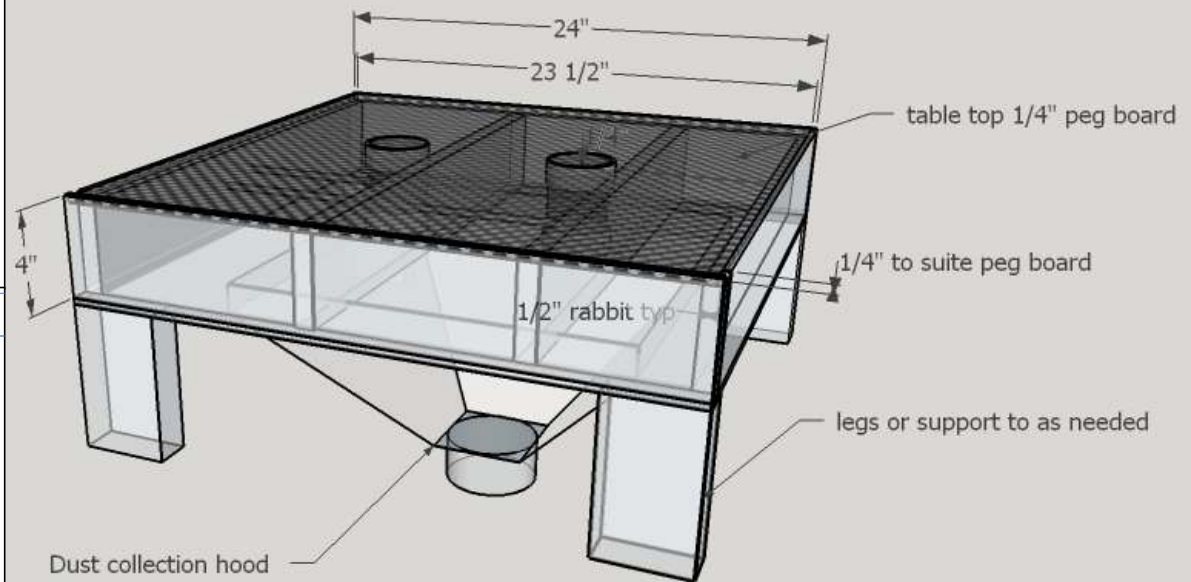
Qty	Desc	Material
1	Top	¼" Peg board 23 ½" sq
2	Front/Back	¾" pine or ply 4" X 24"
2	Left/Right	¾" pine to ply 4" X 22 ½"
1	Bottom	1/8" hardboard 24" sq
4	Legs	2X4 for lumber X 30" or as req
2	Support	¾" pine to ply 4" X 22 ½"
2	Vacuum	2" PVC X 3 ½"
1	Cap	2" PVC cap
2	Seal	2" Drain waste coupling halved
2	Clamp	¾" metal strapping cut to fit

Parts List

Qty	Desc	Material
24	Frame screws	2"-#8 wood screws
4	Leg brackets	3" L bracket
12	Top/Bottom screws	¾"-#8 wood screws
1	Caulk	Silicone
1	Dust hood	Plastic
3'	Tubing	¼" ID plastic tube cut to fit
2	Fitting	¼" male npt X ¼" barb
1	Cement	PVC cement and primer

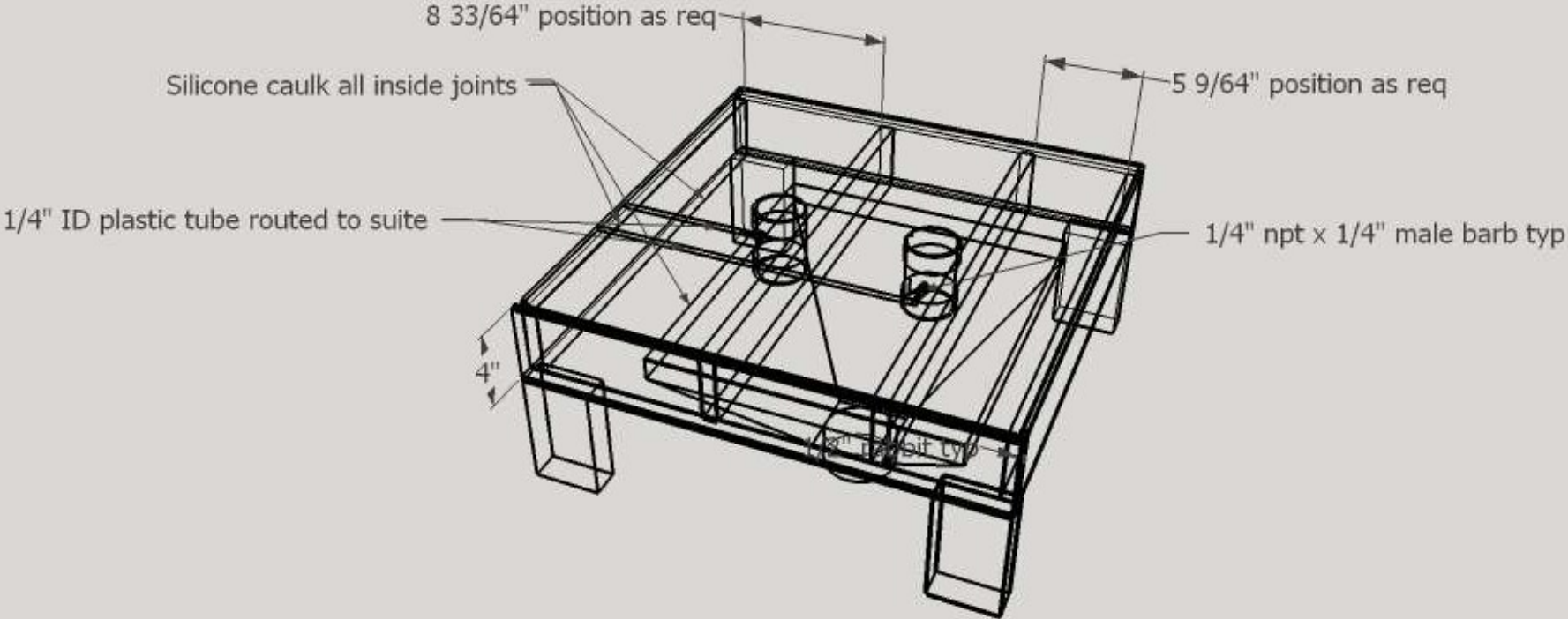
Notes:

1. Be careful to countersink all screw heads completely on the top
2. All internal joints should be caulked
3. Dimensions are for 24" X 24" table, you should size as req
4. 4" dust hookup shown you may require an adapter





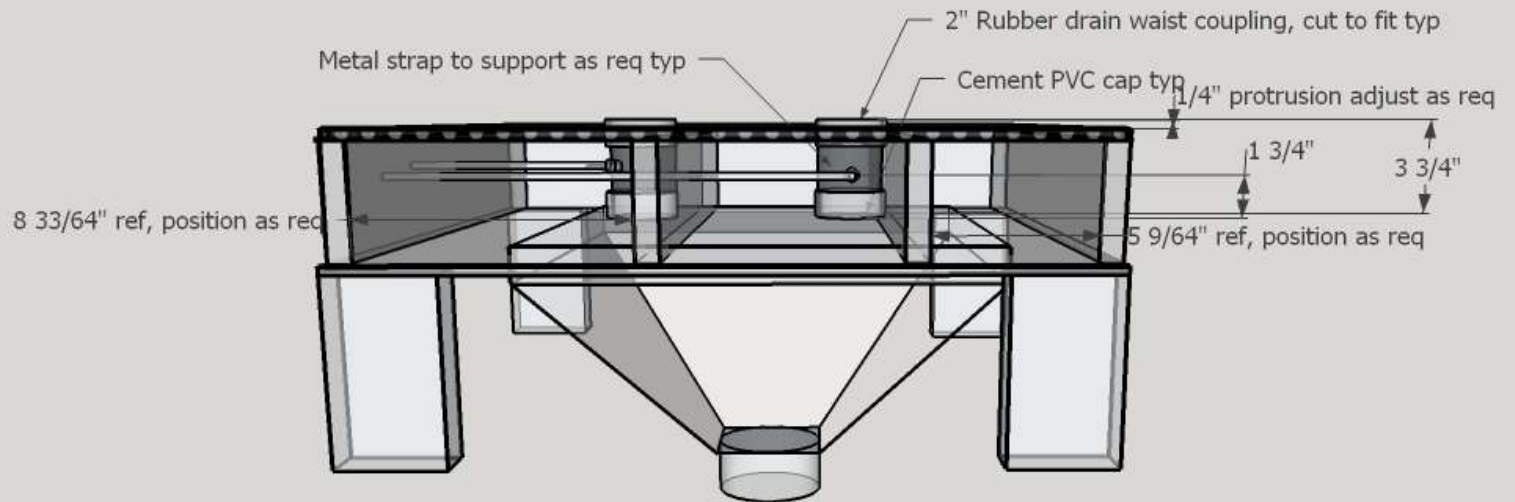
Project Plan
 Vacuum Hold Sanding Table
www.woodcraftingplace.com
 Copyright 2019



	<p>Project Plan Vacuum Hold Sanding Table www.woodcraftingplace.com Copyright 2019</p>
---	---

Notes:

- 1, Verify lumber width to determine final rail placement



Face board removed for clarity



Project Plan
Vacuum Hold Sanding Table
www.woodcraftingplace.com
Copyright 2019

Notes:

- 1. Teflon tape all threaded joints
- 2. Support valve with bracket after installation
- 3. 2.5 cfm vacuum pump or greater recommend

