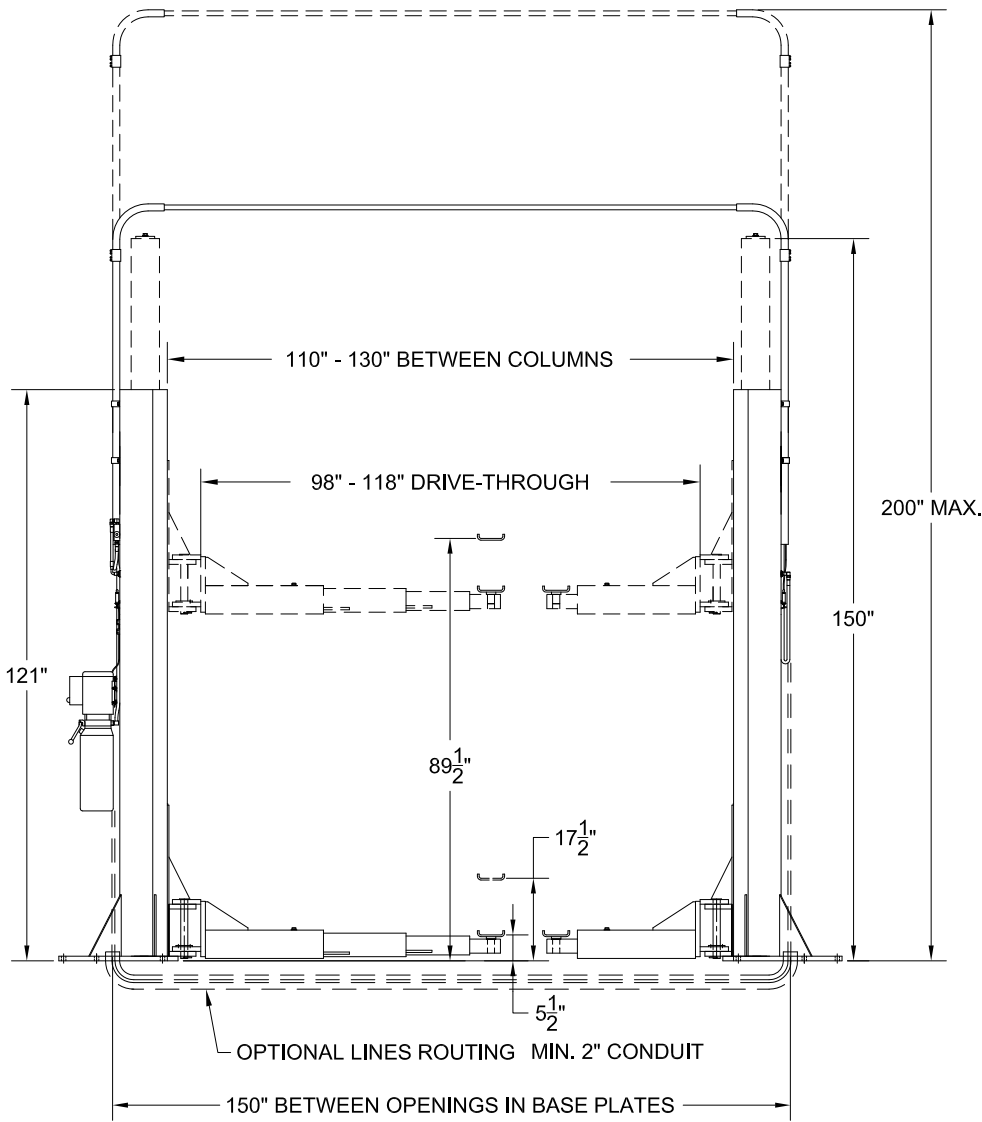


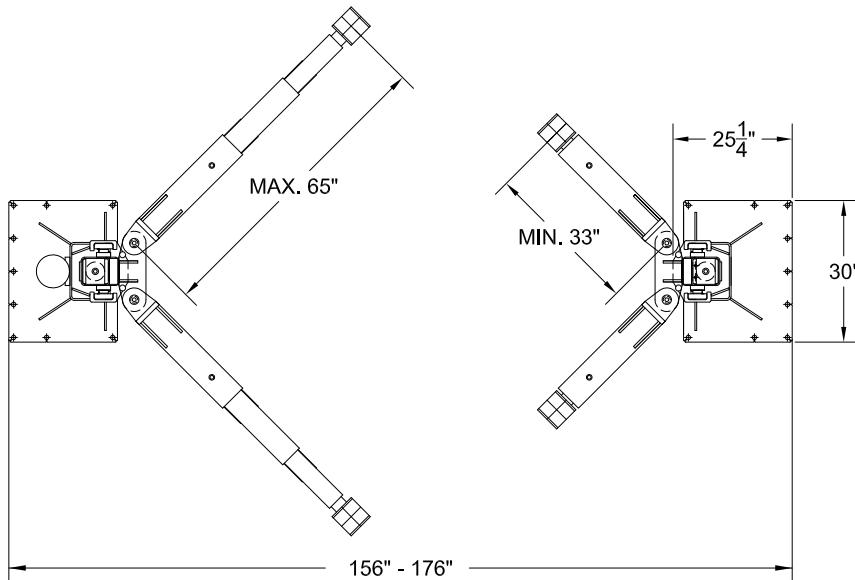
# TWO-POST LIFT MODEL: PK16



CAPACITY:.....16,000 LBS  
 RISE:.....89 - 1/2"  
 MINIMUM CEILING HEIGHT REQ'D:.... 160"  
 MOTOR:.....3 HP  
 VOLTAGE OPTION 1:..... 208-230V/1PH  
 VOLTAGE OPTION 2:..... 230-460V/3PH  
 VOLTAGE OPTION 3:..... 575V/3PH

## FEATURES:

1. AIR/HYDRAULIC CONTROL
2. CLEAR FLOOR
3. NO OVERHEAD BEAM
4. NO EQUALIZING CABLES
5. LOW PROFILE ARMS
6. GEARED ARM RESTRAIN WITH SINGLE POINT LOCK AND RELEASE.
7. COMES WITH A SET OF HEIGHT ADAPTERS (3", 6" AND 9")



DWN.  
JK  
APPR.  
KK

**PKS**

DATE

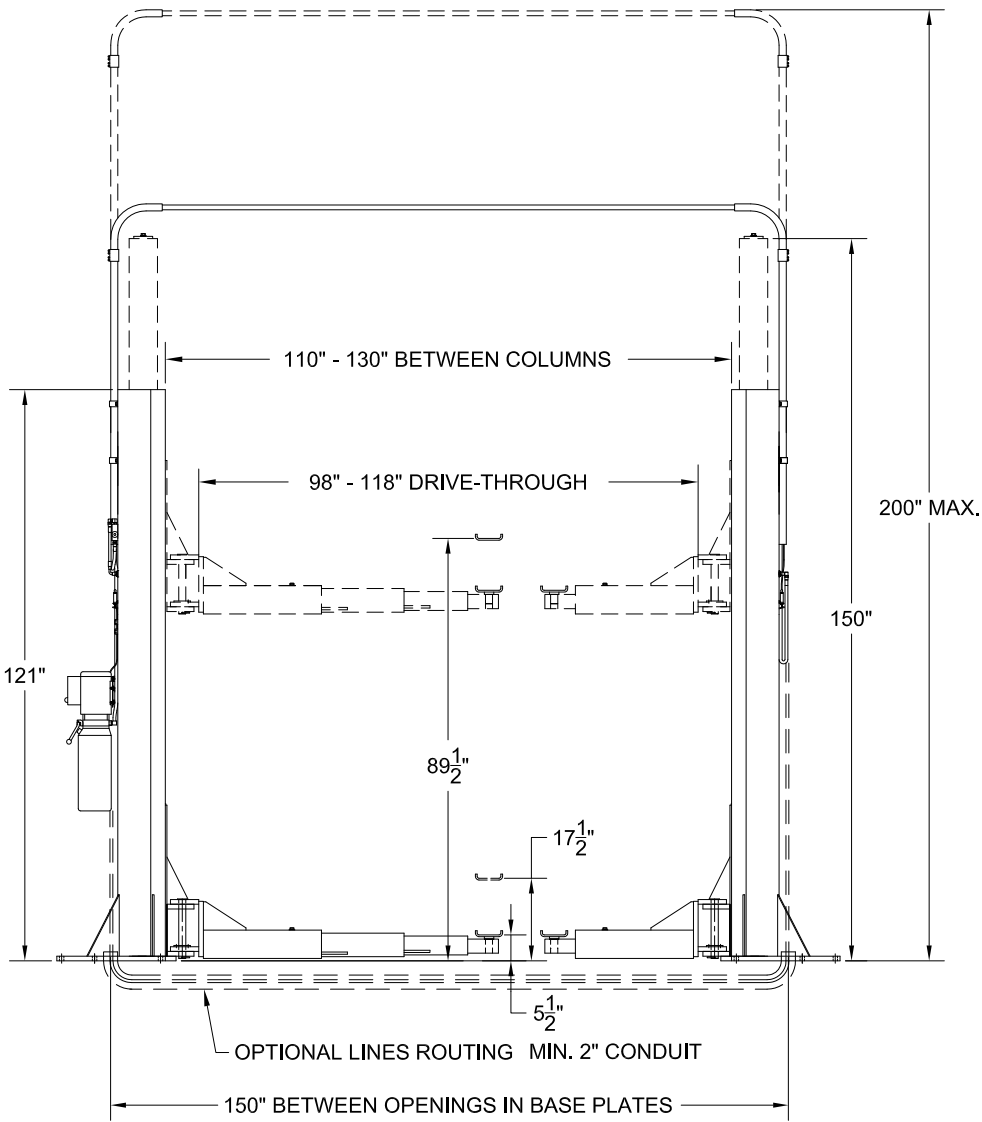
MAY 01/2017

DWG

**PK16-SPEC-1**

**A**

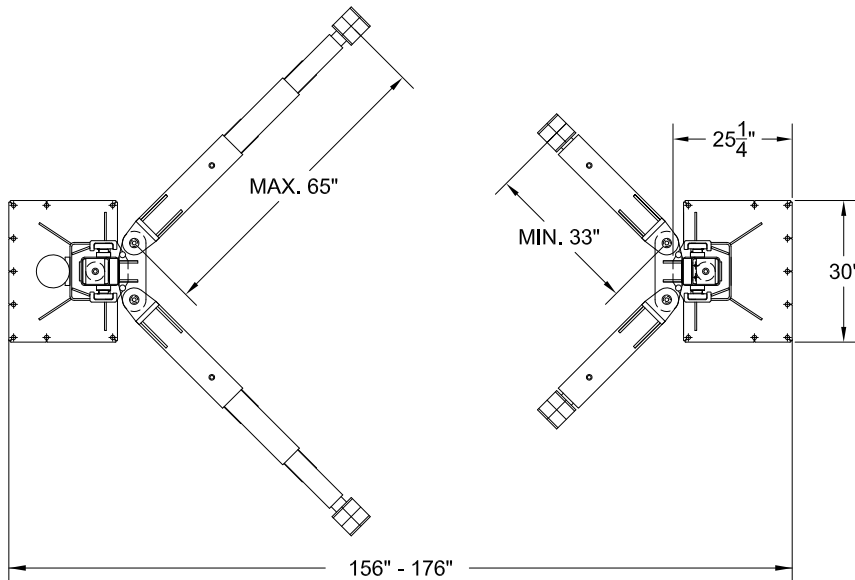
# TWO-POST LIFT MODEL: PK18



CAPACITY:.....18,000 LBS  
 RISE:.....89 - 1/2"  
 MINIMUM CEILING HEIGHT REQ'D:.... 160"  
 MOTOR:.....3 HP  
 VOLTAGE OPTION 1:..... 208-230V/1PH  
 VOLTAGE OPTION 2:..... 230-460V/3PH  
 VOLTAGE OPTION 3:..... 575V/3PH

## FEATURES:

1. AIR/HYDRAULIC CONTROL
2. CLEAR FLOOR
3. NO OVERHEAD BEAM
4. NO EQUALIZING CABLES
5. LOW PROFILE ARMS
6. GEARED ARM RESTRAIN WITH SINGLE POINT LOCK AND RELEASE.
7. COMES WITH A SET OF HEIGHT ADAPTERS (3", 6" AND 9")



DWN.  
JK  
APPR.  
KK

**PKS**

DATE

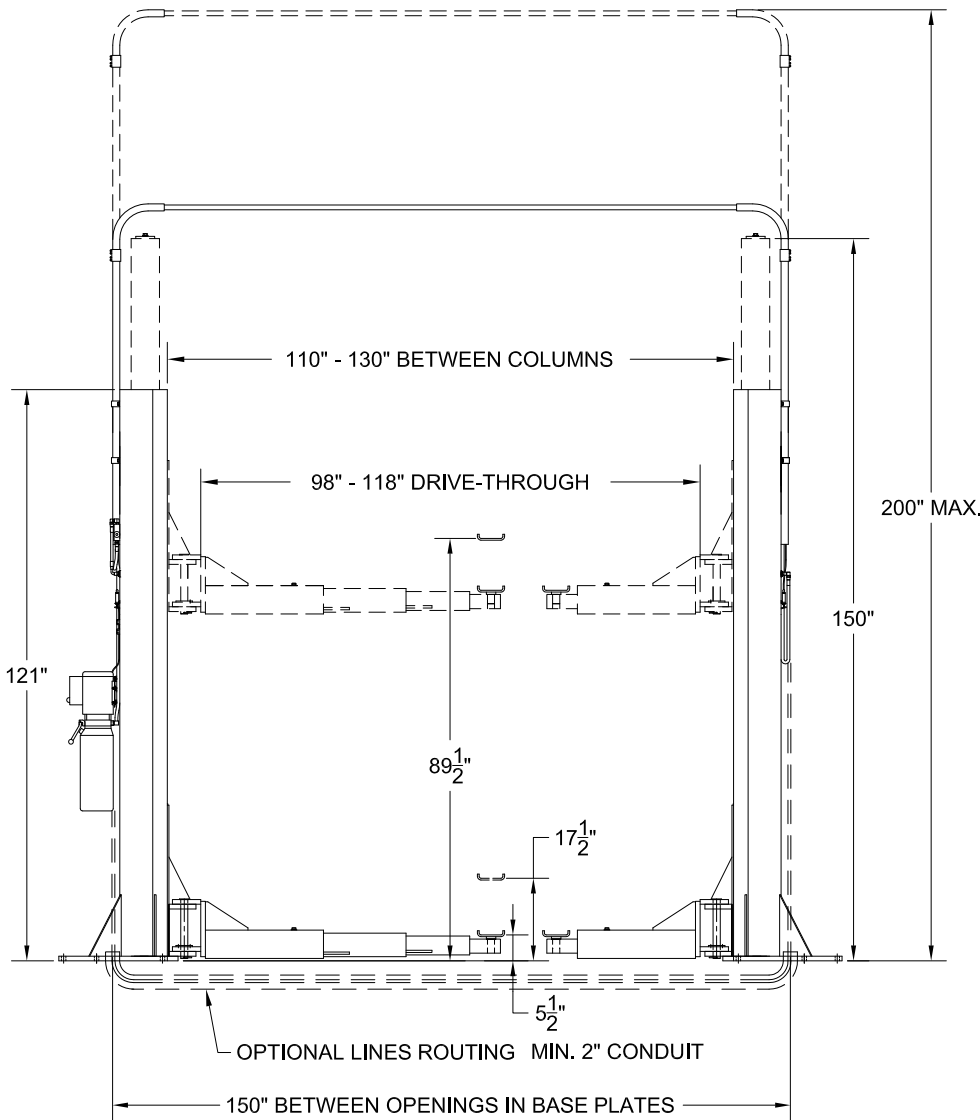
MAY 01/2017

DWG

**PK18-SPEC-1**

**A**

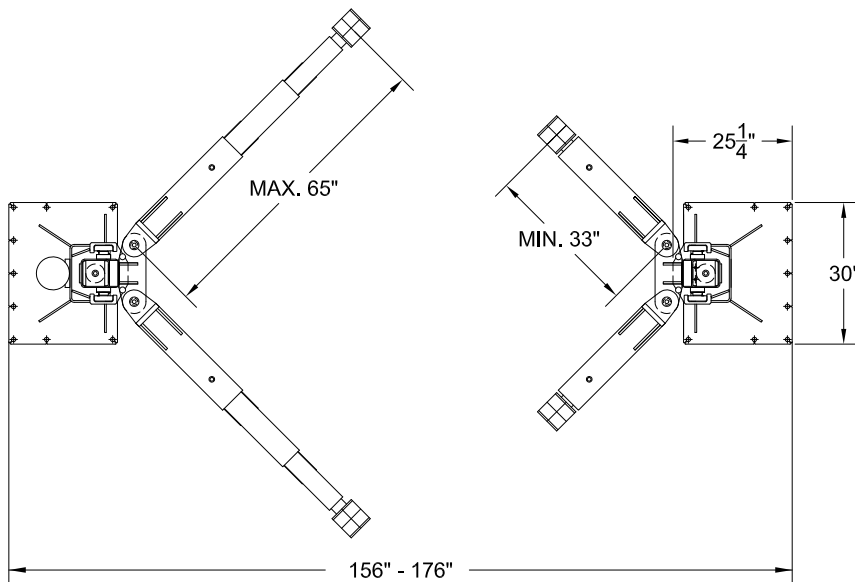
# TWO-POST LIFT MODEL: PK20



CAPACITY:.....20,000 LBS  
 RISE:.....89 - 1/2"  
 MINIMUM CEILING HEIGHT REQ'D:.... 160"  
 MOTOR:.....3 HP  
 VOLTAGE OPTION 1:..... 208-230V/1PH  
 VOLTAGE OPTION 2:..... 230-460V/3PH  
 VOLTAGE OPTION 3:..... 575V/3PH

## FEATURES:

1. AIR/HYDRAULIC CONTROL
2. CLEAR FLOOR
3. NO OVERHEAD BEAM
4. NO EQUALIZING CABLES
5. LOW PROFILE ARMS
6. GEARED ARM RESTRAIN WITH SINGLE POINT LOCK AND RELEASE.
7. COMES WITH A SET OF HEIGHT ADAPTERS (3", 6" AND 9")



DWN.  
JK  
APPR.  
KK

**PKS**

DATE

MAY 01/2017

DWG

**PK20-SPEC-1**

**A**