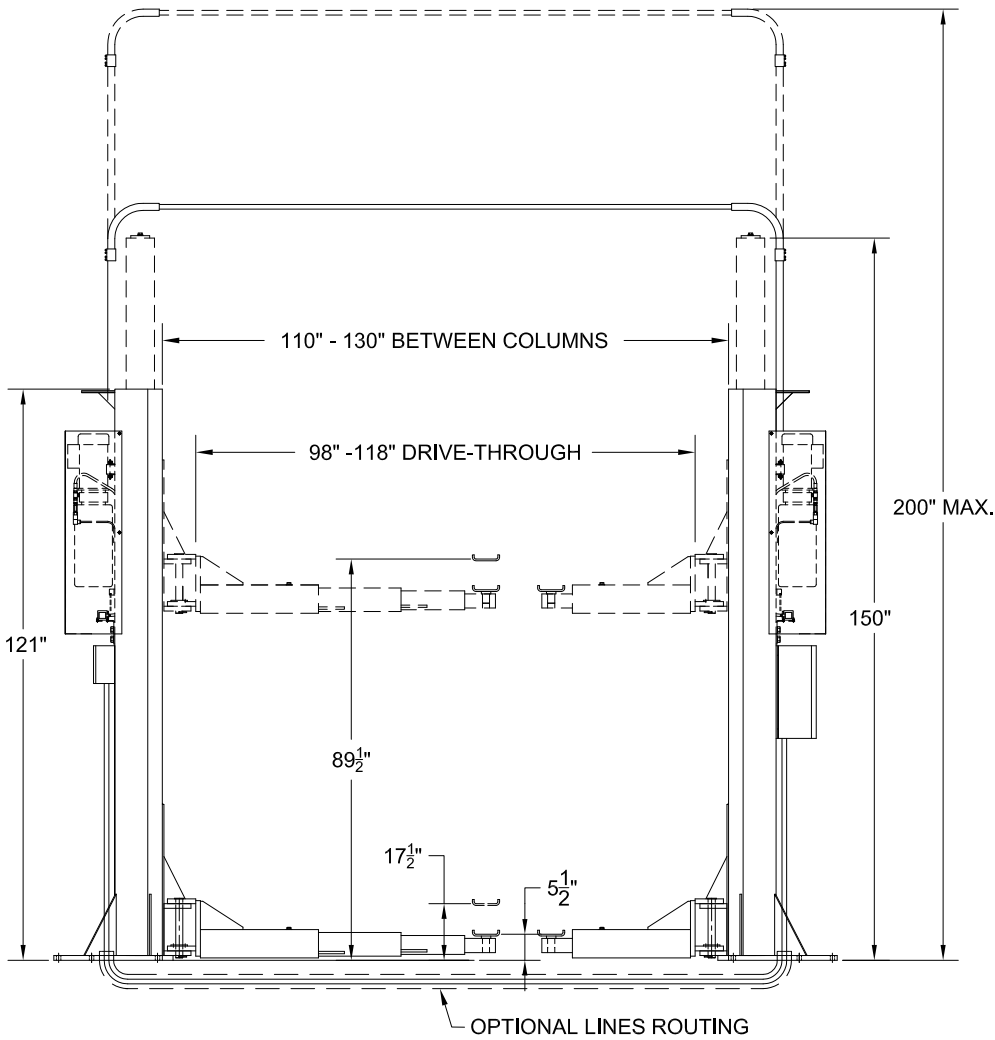


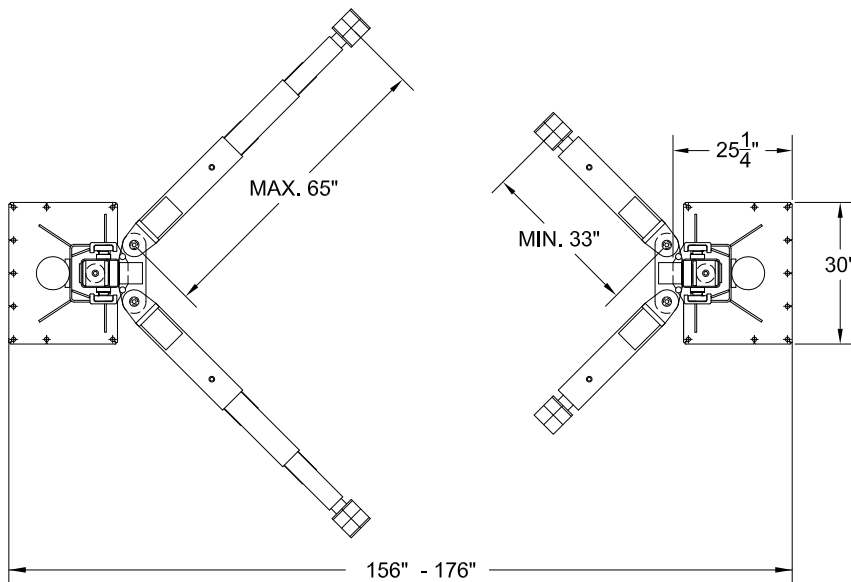
TWO-POST LIFT MODEL: PK18E



CAPACITY:.....18,000 LBS
 RISE:.....89 - 1/2"
 MINIMUM CEILING HEIGHT REQ'D:.... 160"
 MOTORS (2):..... 2 HP
 VOLTAGE OPTION 1:..... 208-230V/1PH
 VOLTAGE OPTION 2:..... 230-460V/3PH
 VOLTAGE OPTION 3:..... 575V/3PH

FEATURES:

1. ELECTRONICALLY CONTROLLED
2. CLEAR FLOOR FOR EASY ACCESS
3. NO OVERHEAD BEAM
4. NO EQUALIZING CABLES
5. LOW PROFILE ARMS
6. GEARED ARM RESTRAIN WITH SINGLE POINT LOCK AND RELEASE.
7. THREE STAGE ARMS
8. COMES WITH A SET OF HEIGHT ADAPTERS (3", 6" AND 9")
9. OPTIONAL POWER-ASSISTED ARM EXTENSION AVAILABLE



DWN.
JK
APPR.
KK

PKS

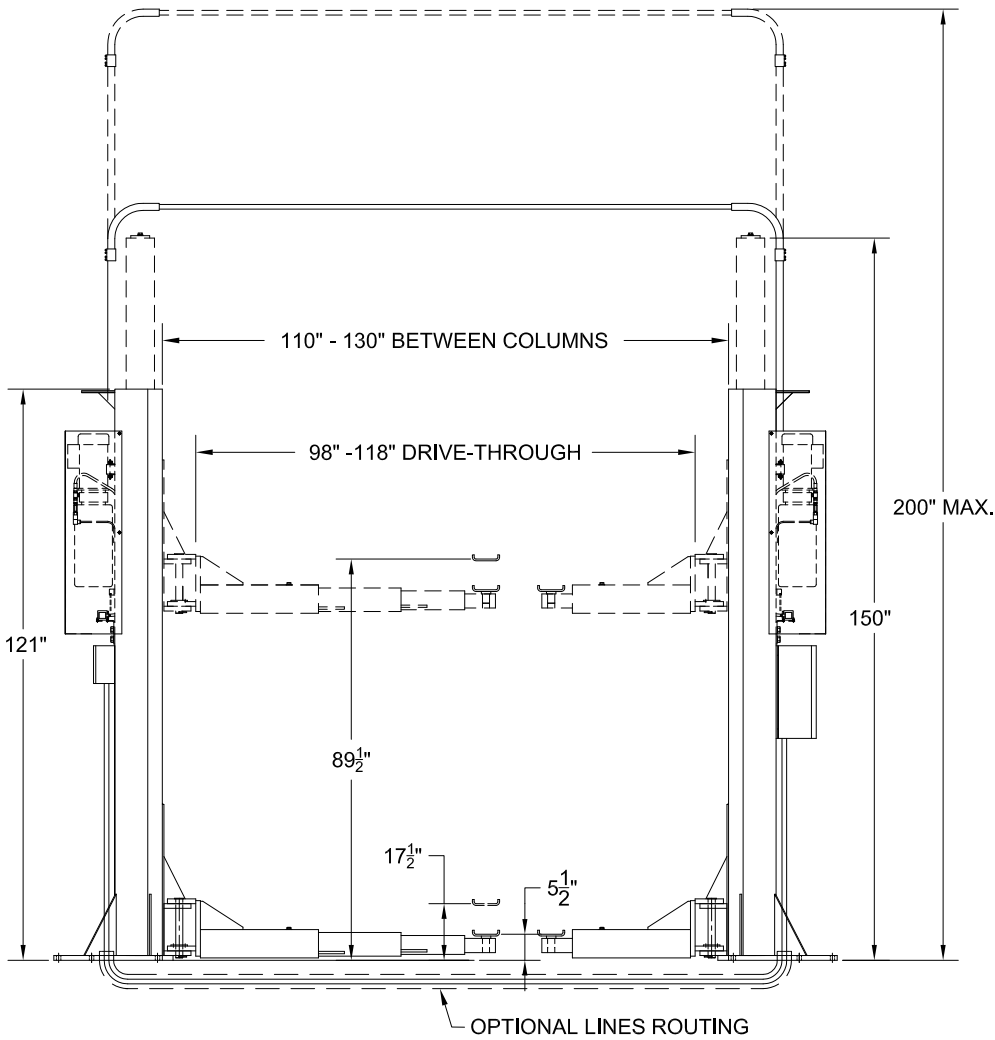
DATE

MAY 01/2017

DWG

PK18E-SPEC-1 A

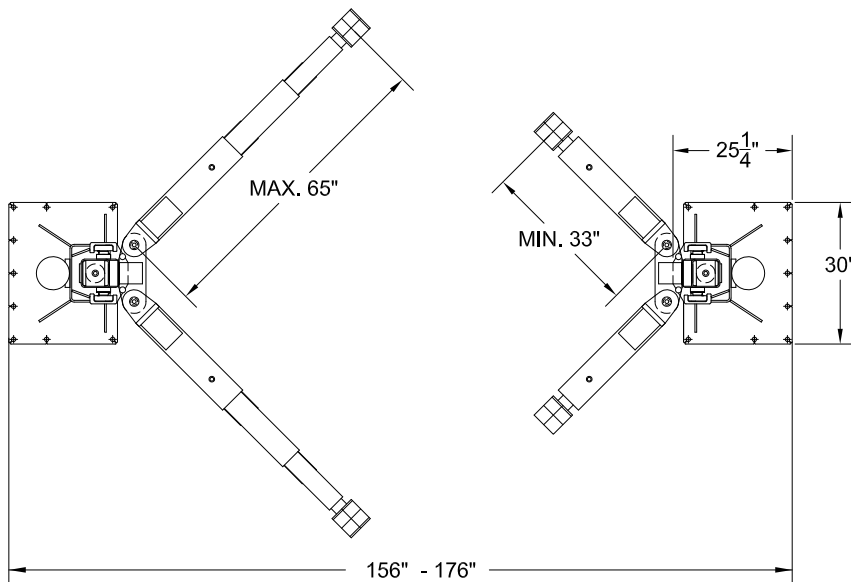
TWO-POST LIFT MODEL: PK20E



CAPACITY:.....20,000 LBS
 RISE:.....89 - 1/2"
 MINIMUM CEILING HEIGHT REQ'D:.... 160"
 MOTORS (2):..... 2 HP
 VOLTAGE OPTION 1:..... 208-230V/1PH
 VOLTAGE OPTION 2:..... 230-460V/3PH
 VOLTAGE OPTION 3:..... 575V/3PH

FEATURES:

1. ELECTRONICALLY CONTROLLED
2. CLEAR FLOOR FOR EASY ACCESS
3. NO OVERHEAD BEAM
4. NO EQUALIZING CABLES
5. LOW PROFILE ARMS
6. GEARED ARM RESTRAIN WITH SINGLE POINT LOCK AND RELEASE.
7. THREE STAGE ARMS
8. COMES WITH A SET OF HEIGHT ADAPTERS (3", 6" AND 9")
9. OPTIONAL POWER-ASSISTED ARM EXTENSION AVAILABLE



DWN.
JK
APPR.
KK

PKS

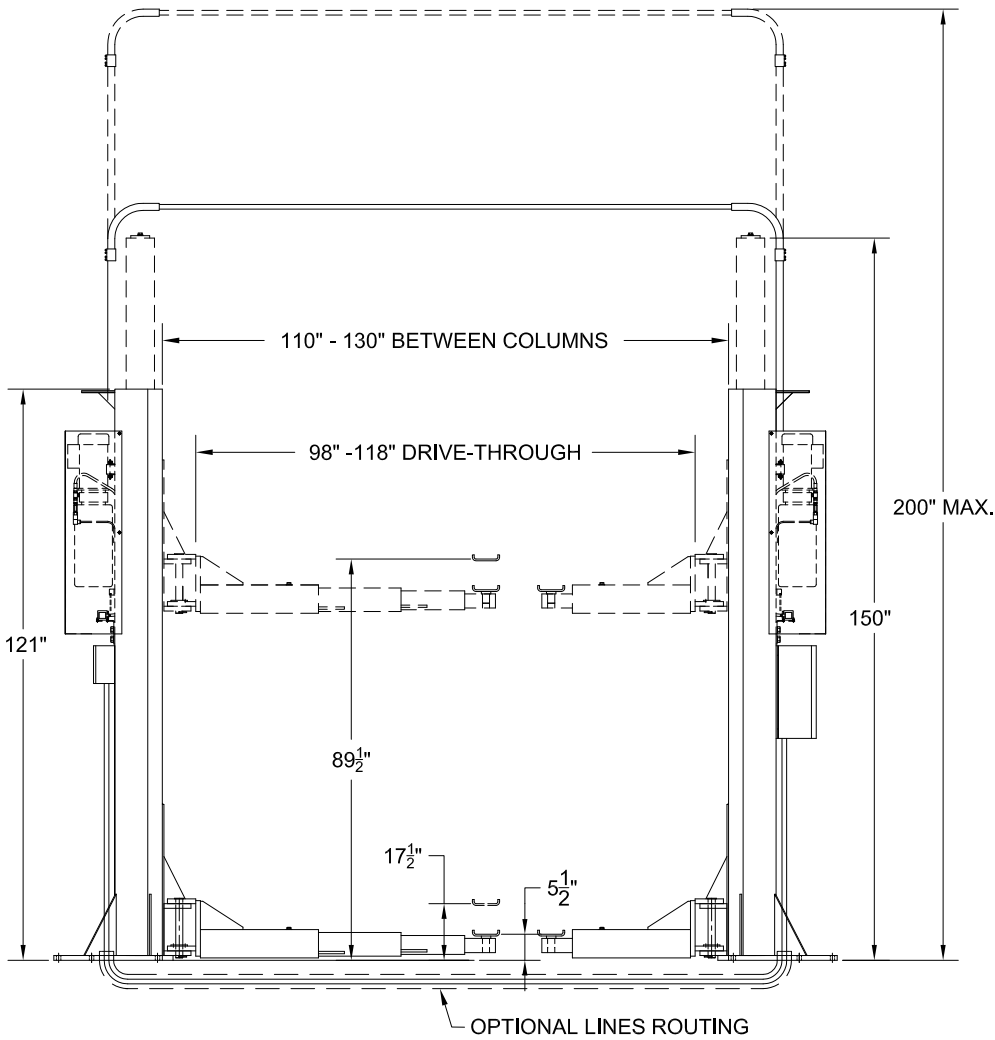
DATE

MAY 01/2017

DWG

PK20E-SPEC-1 A

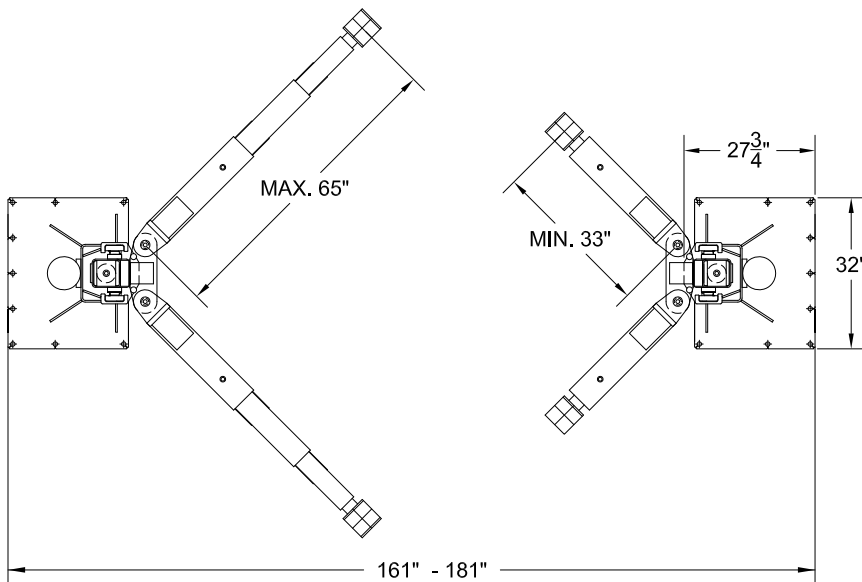
TWO-POST LIFT MODEL: PK22E



CAPACITY:.....22,000 LBS
 RISE:.....89 - 1/2"
 MINIMUM CEILING HEIGHT REQ'D:.... 160"
 MOTORS (2):..... 2 HP
 VOLTAGE OPTION 1:..... 208-230V/1PH
 VOLTAGE OPTION 2:..... 230-460V/3PH
 VOLTAGE OPTION 3:..... 575V/3PH

FEATURES:

1. ELECTRONICALLY CONTROLLED
2. CLEAR FLOOR FOR EASY ACCESS
3. NO OVERHEAD BEAM
4. NO EQUALIZING CABLES
5. LOW PROFILE ARMS
6. GEARED ARM RESTRAIN WITH SINGLE POINT LOCK AND RELEASE.
7. THREE STAGE ARMS
8. COMES WITH A SET OF HEIGHT ADAPTERS (3", 6" AND 9")
9. OPTIONAL POWER-ASSISTED ARM EXTENSION AVAILABLE



DWN.
JK
APPR.
KK

PKS

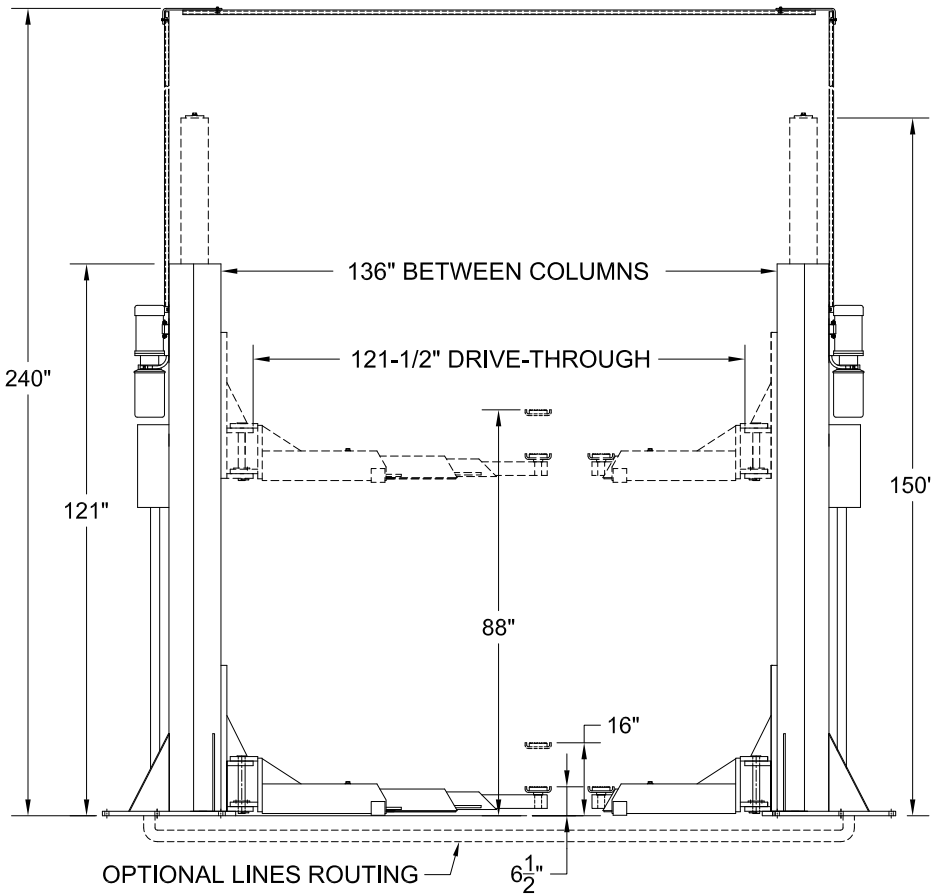
DATE

MAY 01/2017

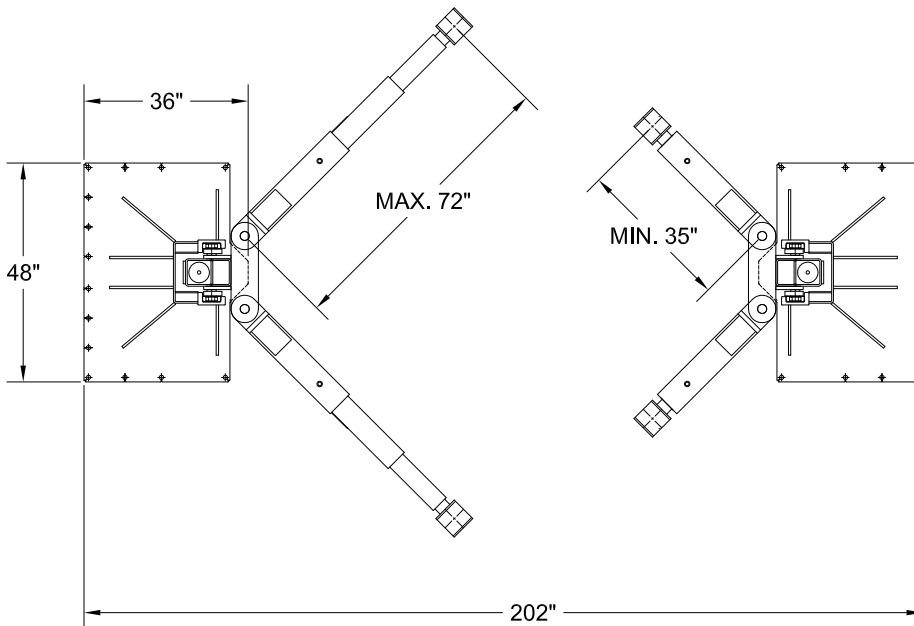
DWG

PK22E-SPEC-1 A

TWO-POST LIFT MODEL: PK24E



CAPACITY:.....24,000 LBS
 RISE:..... 88"
 MINIMUM CEILING HEIGHT REQ'D:....160"
 MOTORS (2):..... 3 HP
 VOLTAGE OPTION 1:..... 208-230V/1PH
 VOLTAGE OPTION 2:..... 230-460V/3PH
 VOLTAGE OPTION 3:..... 575V/3PH



FEATURES:

1. ELECTRONICALLY CONTROLLED
2. CLEAR FLOOR FOR EASY ACCESS
3. NO OVERHEAD BEAM
4. NO EQUALIZING CABLES
5. LOW PROFILE ARMS
6. GEARED ARM RESTRAIN WITH SINGLE POINT LOCK AND RELEASE.
7. THREE STAGE ARMS
8. COMES WITH A SET OF HEIGHT ADAPTERS (3", 6" AND 9")
9. OPTIONAL POWER-ASSISTED ARM EXTENSION AVAILABLE

DWN.
JK
APPR.
KK

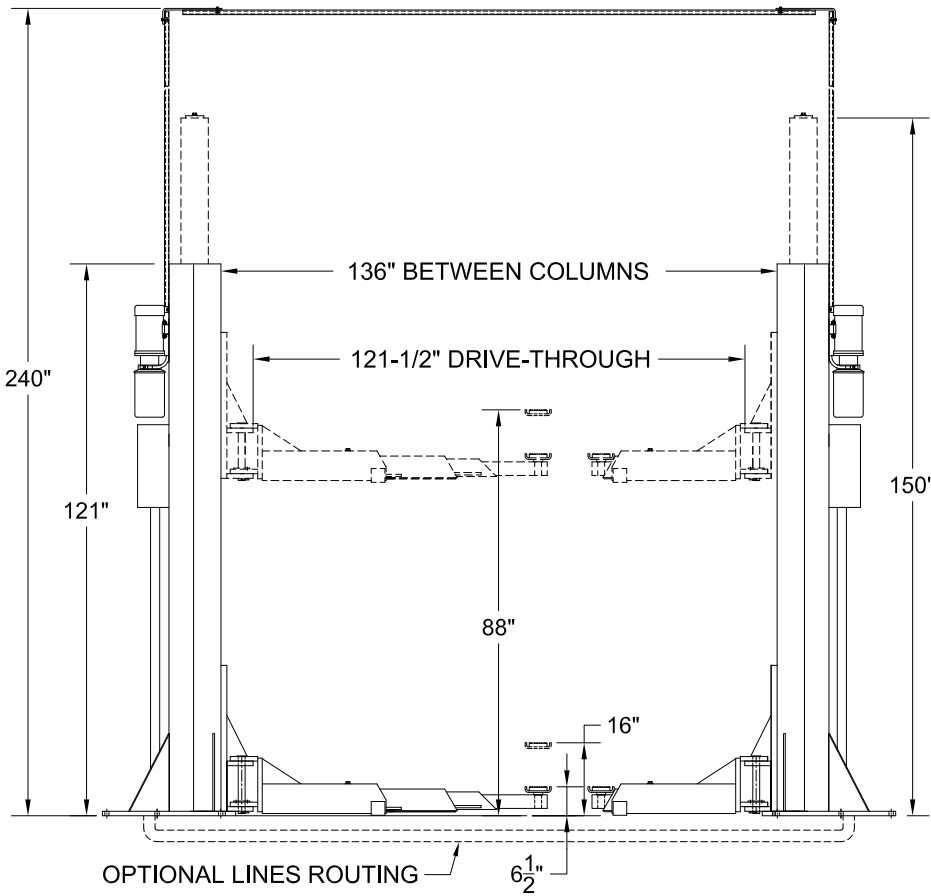
PKS

DATE
MAY 01/2017

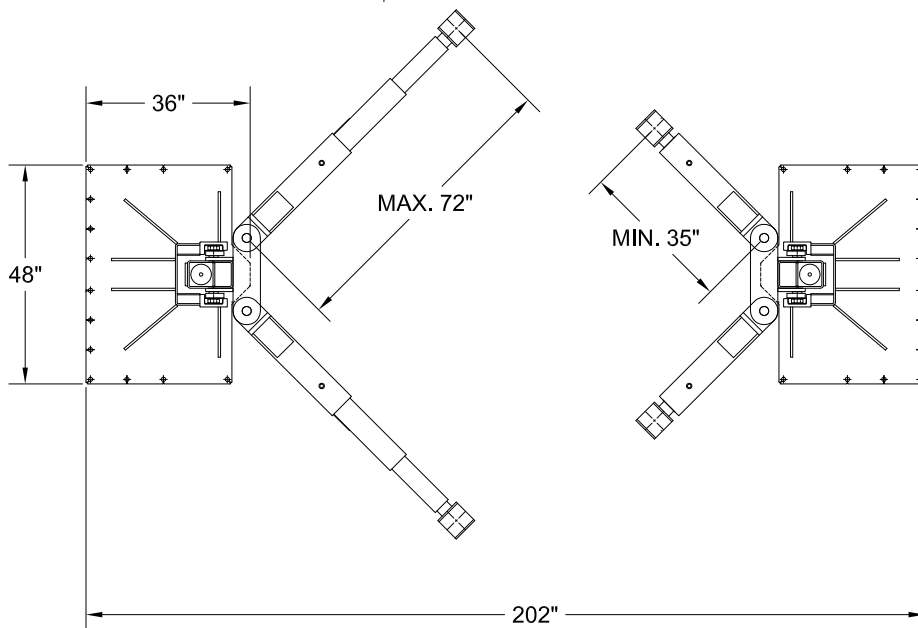
DWG
PK24E-SPEC-01

A

TWO-POST LIFT MODEL: PK26E



CAPACITY:.....26,000 LBS
 RISE:..... 88"
 MINIMUM CEILING HEIGHT REQ'D:....160"
 MOTORS (2):..... 3 HP
 VOLTAGE OPTION 1:..... 208-230V/1PH
 VOLTAGE OPTION 2:..... 230-460V/3PH
 VOLTAGE OPTION 3:..... 575V/3PH



FEATURES:

1. ELECTRONICALLY CONTROLLED
2. CLEAR FLOOR FOR EASY ACCESS
3. NO OVERHEAD BEAM
4. NO EQUALIZING CABLES
5. LOW PROFILE ARMS
6. GEARED ARM RESTRAIN WITH SINGLE POINT LOCK AND RELEASE.
7. THREE STAGE ARMS
8. COMES WITH A SET OF HEIGHT ADAPTERS (3", 6" AND 9")
9. OPTIONAL POWER-ASSISTED ARM EXTENSION AVAILABLE

DWN.
JK
APPR.
KK

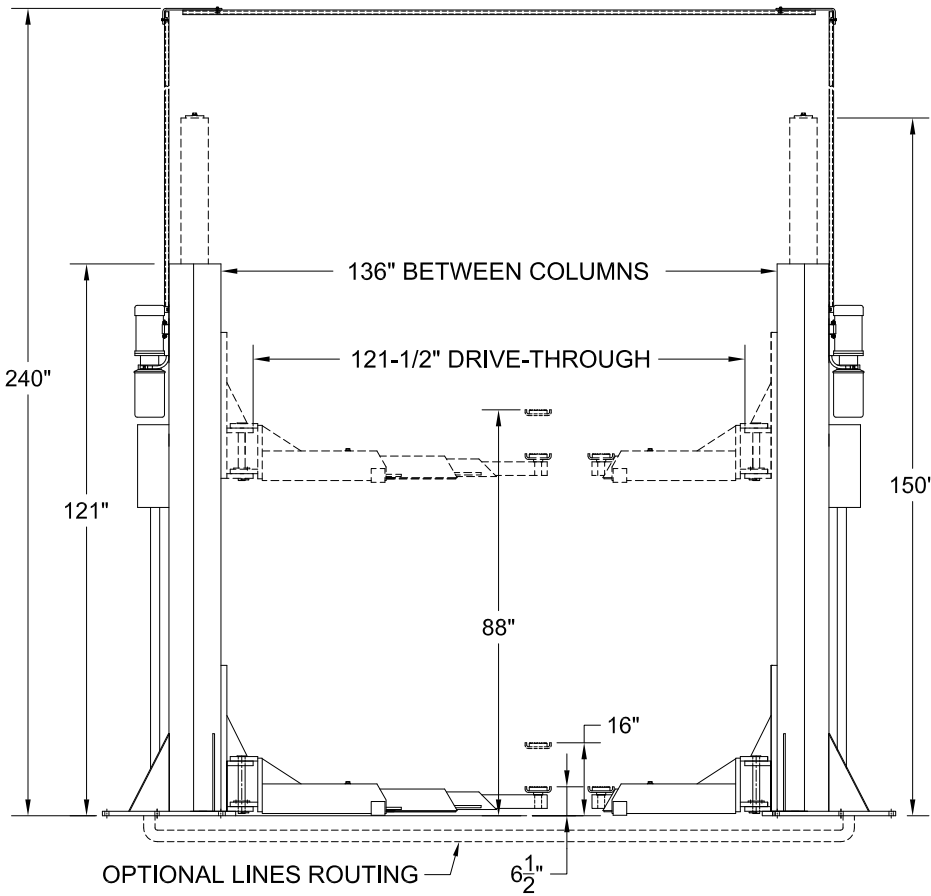
PKS

DATE
MAY 01/2017

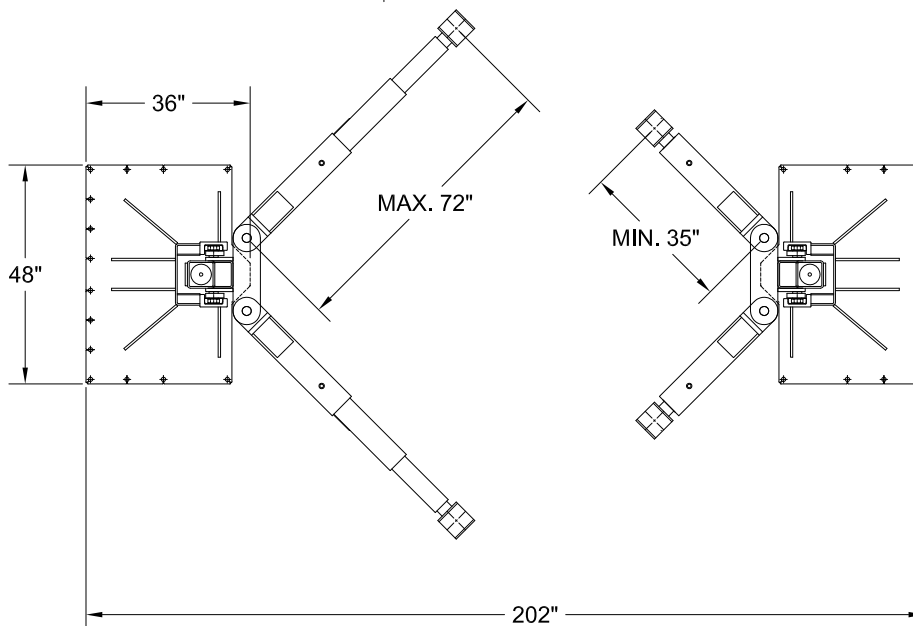
DWG
PK26E-SPEC-01

A

TWO-POST LIFT MODEL: PK28E



CAPACITY:.....28,000 LBS
 RISE:..... 88"
 MINIMUM CEILING HEIGHT REQ'D:....160"
 MOTORS (2):..... 3 HP
 VOLTAGE OPTION 1:..... 208-230V/1PH
 VOLTAGE OPTION 2:..... 230-460V/3PH
 VOLTAGE OPTION 3:..... 575V/3PH



FEATURES:

1. ELECTRONICALLY CONTROLLED
2. CLEAR FLOOR FOR EASY ACCESS
3. NO OVERHEAD BEAM
4. NO EQUALIZING CABLES
5. LOW PROFILE ARMS
6. GEARED ARM RESTRAIN WITH SINGLE POINT LOCK AND RELEASE.
7. THREE STAGE ARMS
8. COMES WITH A SET OF HEIGHT ADAPTERS (3", 6" AND 9")
9. OPTIONAL POWER-ASSISTED ARM EXTENSION AVAILABLE

DWN.
JK
APPR.
KK

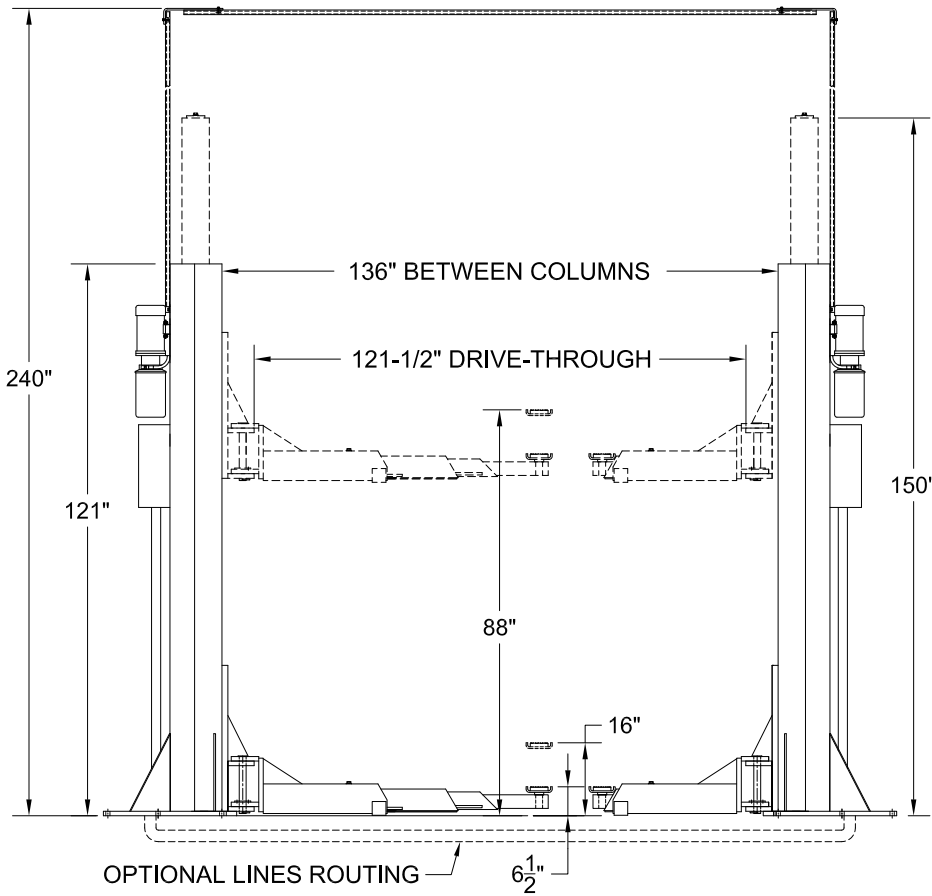
PKS

DATE
MAY 01/2017

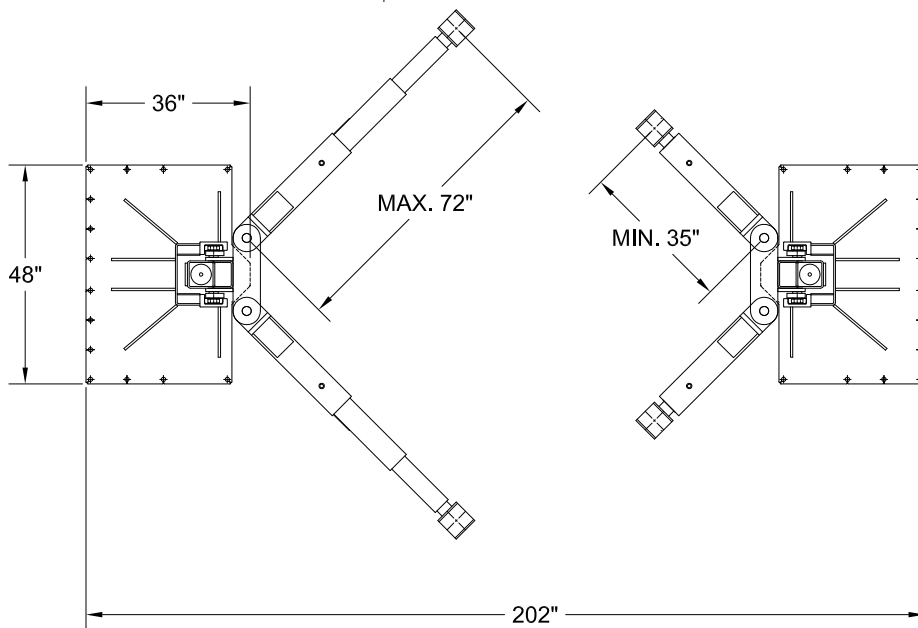
DWG
PK28E-SPEC-01

A

TWO-POST LIFT MODEL: PK30E



CAPACITY:.....30,000 LBS
 RISE:..... 88"
 MINIMUM CEILING HEIGHT REQ'D:....160"
 MOTORS (2):..... 3 HP
 VOLTAGE OPTION 1:..... 208-230V/1PH
 VOLTAGE OPTION 2:..... 230-460V/3PH
 VOLTAGE OPTION 3:..... 575V/3PH



FEATURES:

1. ELECTRONICALLY CONTROLLED
2. CLEAR FLOOR FOR EASY ACCESS
3. NO OVERHEAD BEAM
4. NO EQUALIZING CABLES
5. LOW PROFILE ARMS
6. GEARED ARM RESTRAIN WITH SINGLE POINT LOCK AND RELEASE.
7. THREE STAGE ARMS
8. COMES WITH A SET OF HEIGHT ADAPTERS (3", 6" AND 9")
9. OPTIONAL POWER-ASSISTED ARM EXTENSION AVAILABLE

DWN.
JK
APPR.
KK

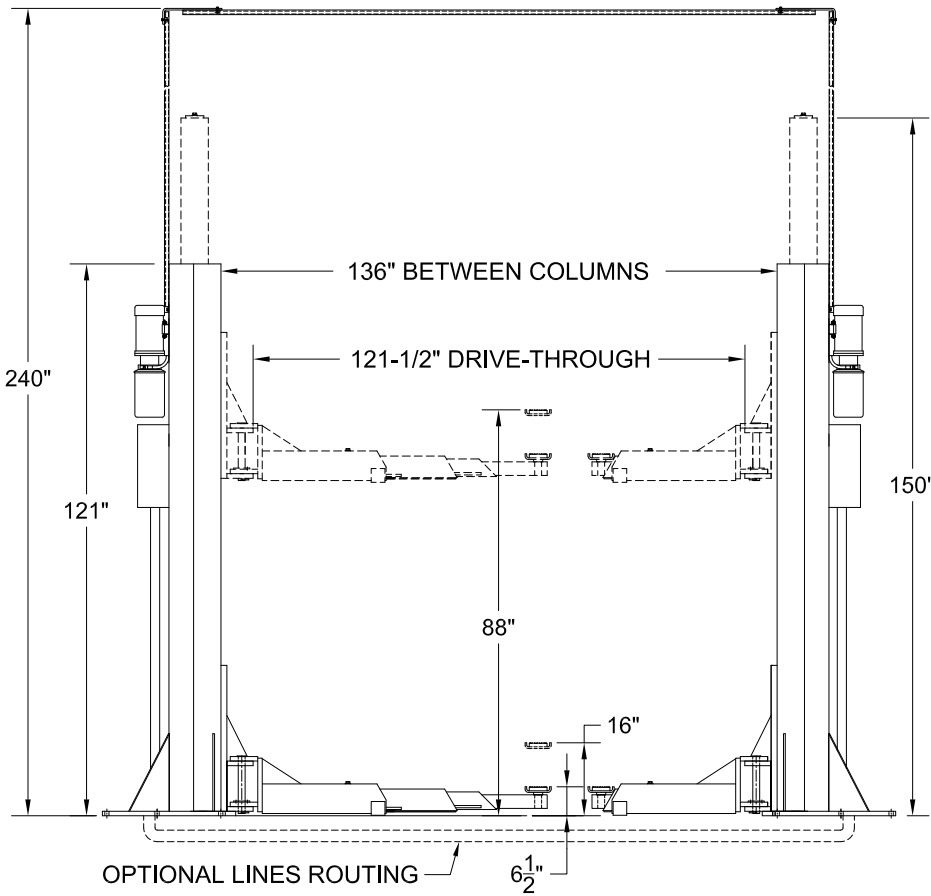
PKS

DATE
MAY 01/2017

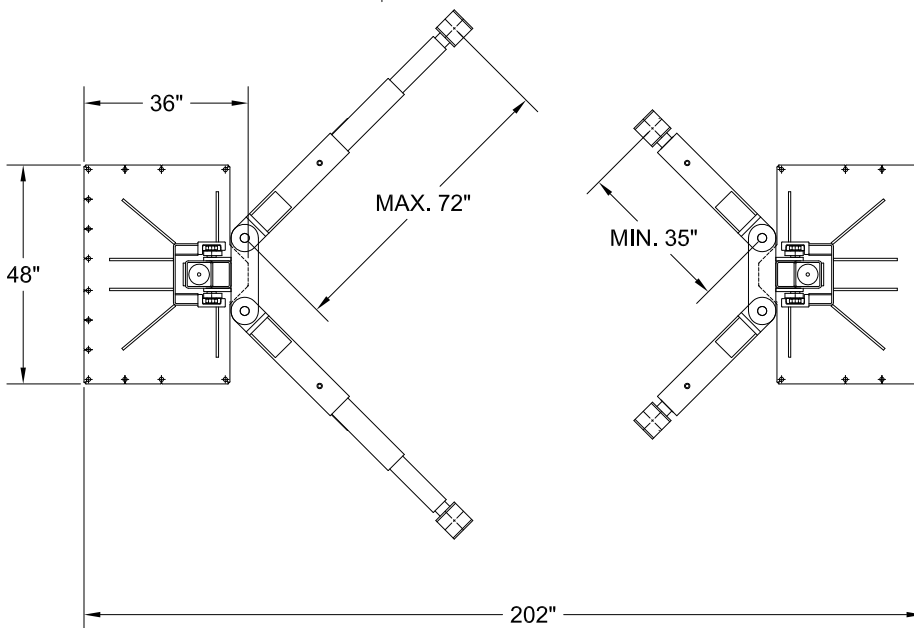
DWG
PK30E-SPEC-01

A

TWO-POST LIFT MODEL: PK33E



CAPACITY:.....33,000 LBS
 RISE:..... 88"
 MINIMUM CEILING HEIGHT REQ'D:....160"
 MOTORS (2):..... 3 HP
 VOLTAGE OPTION 1:..... 208-230V/1PH
 VOLTAGE OPTION 2:..... 230-460V/3PH
 VOLTAGE OPTION 3:..... 575V/3PH



FEATURES:

1. ELECTRONICALLY CONTROLLED
2. CLEAR FLOOR FOR EASY ACCESS
3. NO OVERHEAD BEAM
4. NO EQUALIZING CABLES
5. LOW PROFILE ARMS
6. GEARED ARM RESTRAIN WITH SINGLE POINT LOCK AND RELEASE.
7. THREE STAGE ARMS
8. COMES WITH A SET OF HEIGHT ADAPTERS (3", 6" AND 9")
9. OPTIONAL POWER-ASSISTED ARM EXTENSION AVAILABLE

DWN.
JK
APPR.
KK

PKS

DATE
MAY 01/2017

DWG
PK33E-SPEC-01

A