

SPECIFICATION					
CAPACITY		20,000LBS			
FOUR COLUMNS C/W HYDRAULIC CYLINDERS					
SAFETY DEVICES ON EACH COLUMN (MECHANICAL/AIR)					
DUAL POWER UNITS C/W EL. MOTORS P/U W/P 1650 PSI	STANDARD	2 x 3HP, 3PH, 230/460V			
	OPTIONAL	2 x 3HP, 3PH, 575V			
	OPTIONAL	2 x 3HP, 1PH, 230V			
SPEED OF RISE		72 SEC.			
RUNWAY WIDTH		24" OR 30"			
RUNWAY HEIGHT		8-3/4"			
		DISTANCES			
		"A"	"B"	"C"	
RUNWAYS LENGTH	MODEL: PK20-4-20DT	20' LONG	364"	235 ³ / ₄ "	255 ³ / ₄ "
	MODEL: PK20-4-21DT	21' LONG	376"	247 ³ / ₄ "	267 ³ / ₄ "
	MODEL: PK20-4-22DT	22' LONG	388"	259 ³ / ₄ "	279 ³ / ₄ "
	MODEL: PK20-4-23DT	23' LONG	400"	271 ³ / ₄ "	291 ³ / ₄ "
	MODEL: PK20-4-24DT	24' LONG	412"	283 ³ / ₄ "	303 ³ / ₄ "
	MODEL: PK20-4-25DT	25' LONG	424"	295 ³ / ₄ "	315 ³ / ₄ "
	MODEL: PK20-4-26DT	26' LONG	436"	307 ³ / ₄ "	327 ³ / ₄ "
	MODEL: PK20-4-27DT	27' LONG	448"	319 ³ / ₄ "	339 ³ / ₄ "
	MODEL: PK20-4-28DT	28' LONG	460"	331 ³ / ₄ "	351 ³ / ₄ "
	MODEL: PK20-4-29DT	29' LONG	472"	343 ³ / ₄ "	363 ³ / ₄ "
	MODEL: PK20-4-30DT	30' LONG	484"	355 ³ / ₄ "	375 ³ / ₄ "
	MODEL: PK20-4-31DT	31' LONG	496"	367 ³ / ₄ "	387 ³ / ₄ "
	MODEL: PK20-4-32DT	32' LONG	508"	379 ³ / ₄ "	399 ³ / ₄ "
	MODEL: PK20-4-33DT	33' LONG	520"	391 ³ / ₄ "	411 ³ / ₄ "
MODEL: PK20-4-34DT	34' LONG	532"	403 ³ / ₄ "	423 ³ / ₄ "	
INSIDE COLUMN CLEARANCE		11'			
OVERALL LIFTING HEIGHT		5'-8 3/4"			
OVERALL HEIGHT		12'-4"			
OVERALL WIDTH		13'-10"			
OPTIONAL - ROLLING JACKING BEAM					

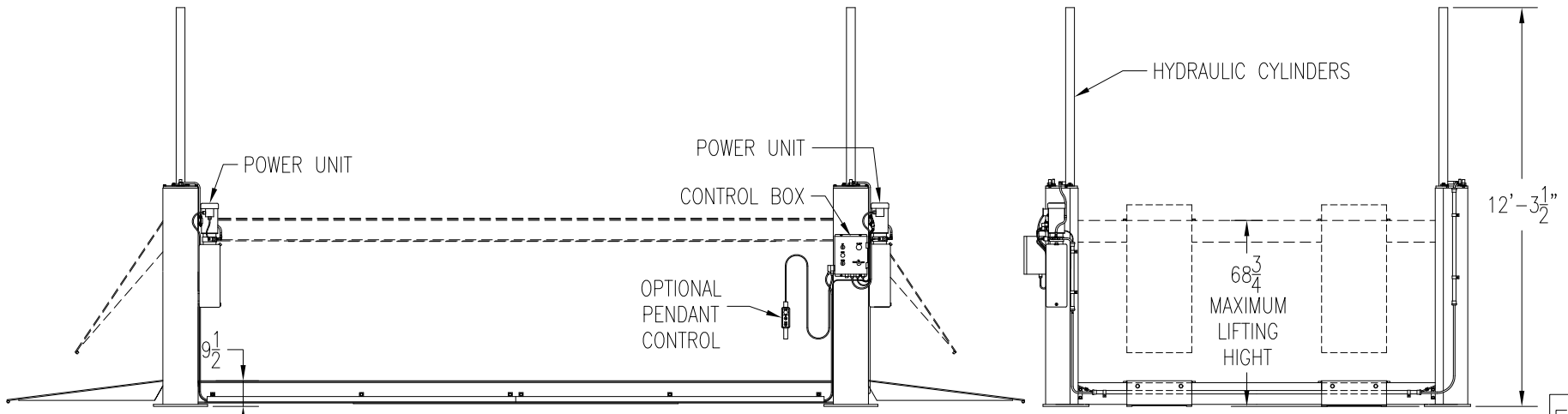
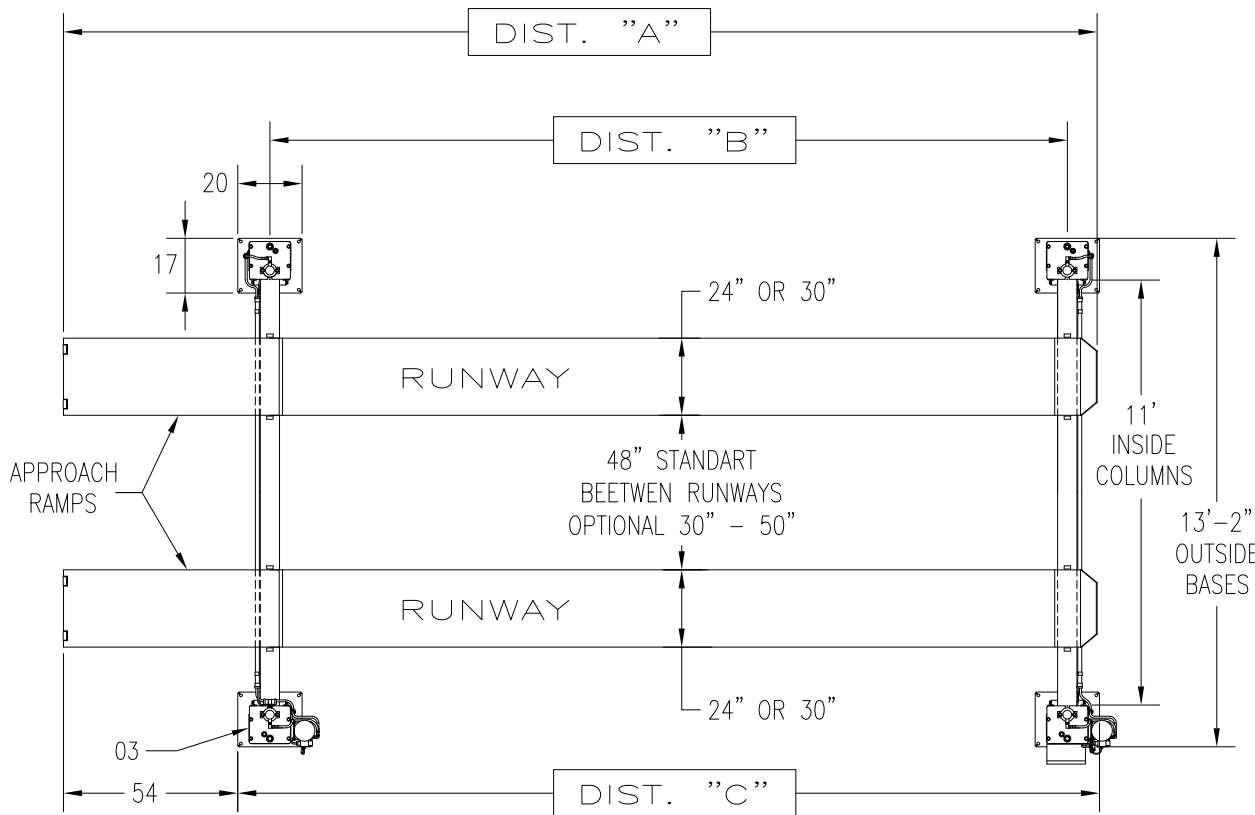


FIG.20-01.DT



SPECIFICATION					
CAPACITY	20,000LBS				
FOUR COLUMNS C/W HYDRAULIC CYLINDERS					
SAFETY DEVICES ON EACH COLUMN (MECHANICAL/AIR)					
DUAL POWER UNITS C/W EL. MOTORS P/U W/P 1650 PSI	STANDARD	2 x 3HP, 3PH, 230/460V			
	OPTIONAL	2 x 3HP, 3PH, 575V			
	OPTIONAL	2 x 3HP, 1PH, 230V			
SPEED OF RISE	72 SEC.				
RUNWAY WIDTH	24" OR 30"				
RUNWAY HEIGHT	8-3/4"				
RUNWAYS LENGTH	MODEL: PK20-4-20	20' LONG	309"	235 ³ / ₄ "	255 ³ / ₄ "
	MODEL: PK20-4-21	21' LONG	321"	247 ³ / ₄ "	267 ³ / ₄ "
	MODEL: PK20-4-22	22' LONG	333"	259 ³ / ₄ "	279 ³ / ₄ "
	MODEL: PK20-4-23	23' LONG	345"	271 ³ / ₄ "	291 ³ / ₄ "
	MODEL: PK20-4-24	24' LONG	357"	283 ³ / ₄ "	303 ³ / ₄ "
	MODEL: PK20-4-25	25' LONG	369"	295 ³ / ₄ "	315 ³ / ₄ "
	MODEL: PK20-4-26	26' LONG	381"	307 ³ / ₄ "	327 ³ / ₄ "
	MODEL: PK20-4-27	27' LONG	393"	319 ³ / ₄ "	339 ³ / ₄ "
	MODEL: PK20-4-28	28' LONG	405"	331 ³ / ₄ "	351 ³ / ₄ "
	MODEL: PK20-4-29	29' LONG	417"	343 ³ / ₄ "	363 ³ / ₄ "
	MODEL: PK20-4-30	30' LONG	429"	355 ³ / ₄ "	375 ³ / ₄ "
	MODEL: PK20-4-31	31' LONG	441"	367 ³ / ₄ "	387 ³ / ₄ "
	MODEL: PK20-4-32	32' LONG	453"	379 ³ / ₄ "	399 ³ / ₄ "
	MODEL: PK20-4-33	33' LONG	465"	391 ³ / ₄ "	411 ³ / ₄ "
MODEL: PK20-4-34	34' LONG	477"	403 ³ / ₄ "	423 ³ / ₄ "	
INSIDE COLUMN CLEARANCE	11'				
OVERALL LIFTING HEIGHT	5'-8 3/4"				
OVERALL HEIGHT	12'-4"				
OVERALL WIDTH	13'-10"				
OPTIONAL - ROLLING JACKING BEAM					

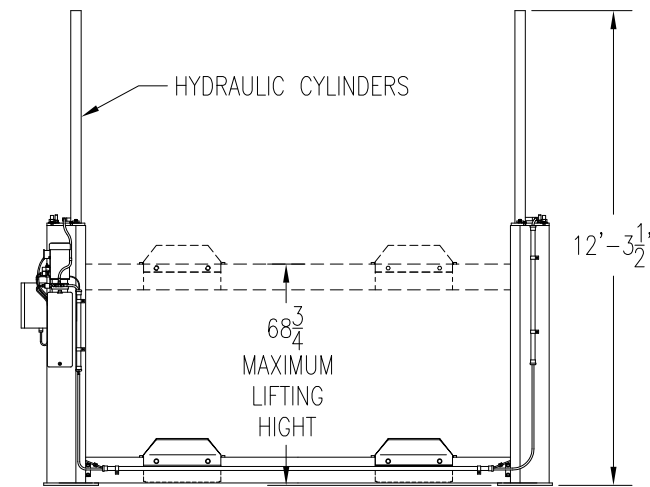
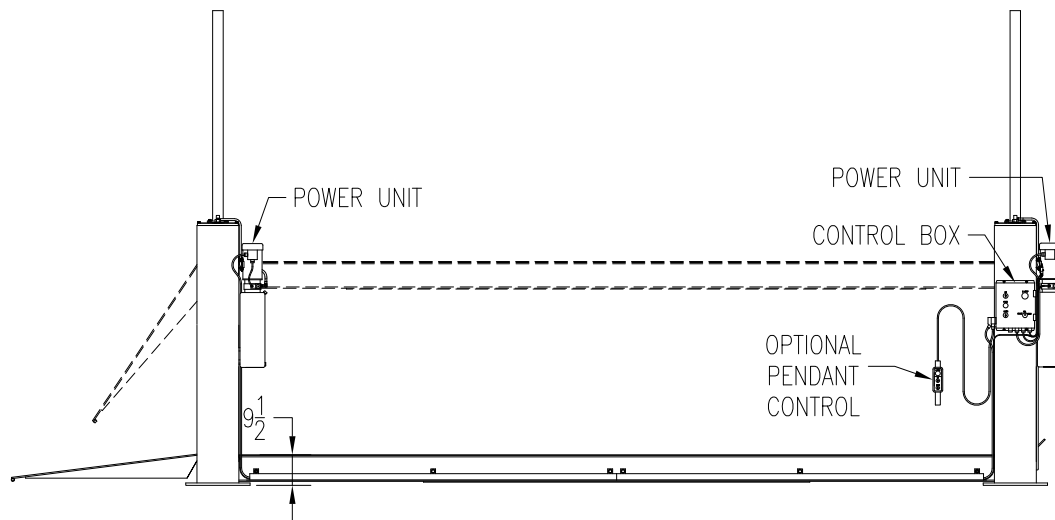
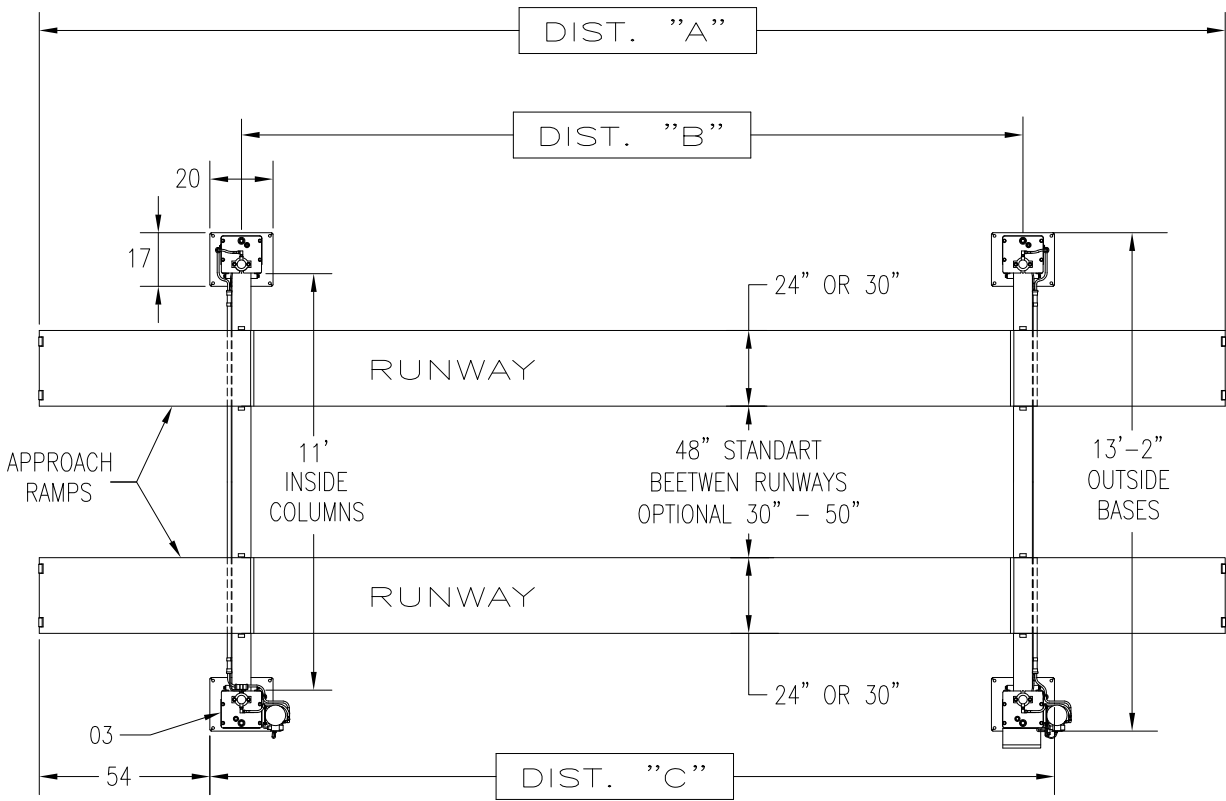


FIG.20-01



SPECIFICATION					
CAPACITY	25,000LBS				
FOUR COLUMNS C/W HYDRAULIC CYLINDERS					
SAFETY DEVICES ON EACH COLUMN (MECHANICAL/AIR)					
DUAL POWER UNITS C/W EL. MOTORS P/U W/P 2050 PSI	STANDARD	2 x 3HP, 3PH, 230/460V			
	OPTIONAL	2 x 3HP, 3PH, 575V			
	OPTIONAL	2 x 3HP, 1PH, 230V			
SPEED OF RISE	72 SEC.				
RUNWAY WIDTH	24" OR 30"				
RUNWAY HEIGHT	8-3/4"				
RUNWAYS LENGTH	MODEL: PK25-4-20DT	20' LONG	364"	235 ³ / ₄ "	255 ³ / ₄ "
	MODEL: PK25-4-21DT	21' LONG	376"	247 ³ / ₄ "	267 ³ / ₄ "
	MODEL: PK25-4-22DT	22' LONG	388"	259 ³ / ₄ "	279 ³ / ₄ "
	MODEL: PK25-4-23DT	23' LONG	400"	271 ³ / ₄ "	291 ³ / ₄ "
	MODEL: PK25-4-24DT	24' LONG	412"	283 ³ / ₄ "	303 ³ / ₄ "
	MODEL: PK25-4-25DT	25' LONG	424"	295 ³ / ₄ "	315 ³ / ₄ "
	MODEL: PK25-4-26DT	26' LONG	436"	307 ³ / ₄ "	327 ³ / ₄ "
	MODEL: PK25-4-27DT	27' LONG	448"	319 ³ / ₄ "	339 ³ / ₄ "
	MODEL: PK25-4-28DT	28' LONG	460"	331 ³ / ₄ "	351 ³ / ₄ "
	MODEL: PK25-4-29DT	29' LONG	472"	343 ³ / ₄ "	363 ³ / ₄ "
	MODEL: PK25-4-30DT	30' LONG	484"	355 ³ / ₄ "	375 ³ / ₄ "
	MODEL: PK25-4-31DT	31' LONG	496"	367 ³ / ₄ "	387 ³ / ₄ "
	MODEL: PK25-4-32DT	32' LONG	508"	379 ³ / ₄ "	399 ³ / ₄ "
	MODEL: PK25-4-33DT	33' LONG	520"	391 ³ / ₄ "	411 ³ / ₄ "
MODEL: PK25-4-34DT	34' LONG	532"	403 ³ / ₄ "	423 ³ / ₄ "	
INSIDE COLUMN CLEARANCE	11'				
OVERALL LIFTING HEIGHT	5'-8 3/4"				
OVERALL HEIGHT	12'-4"				
OVERALL WIDTH	13'-10"				
OPTIONAL - ROLLING JACKING BEAM					

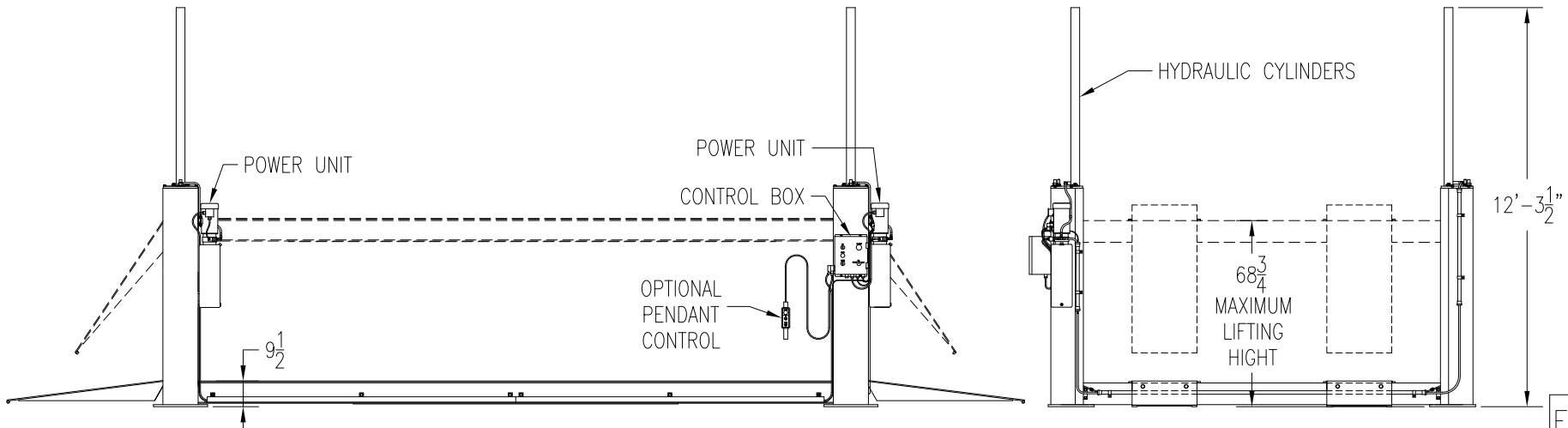
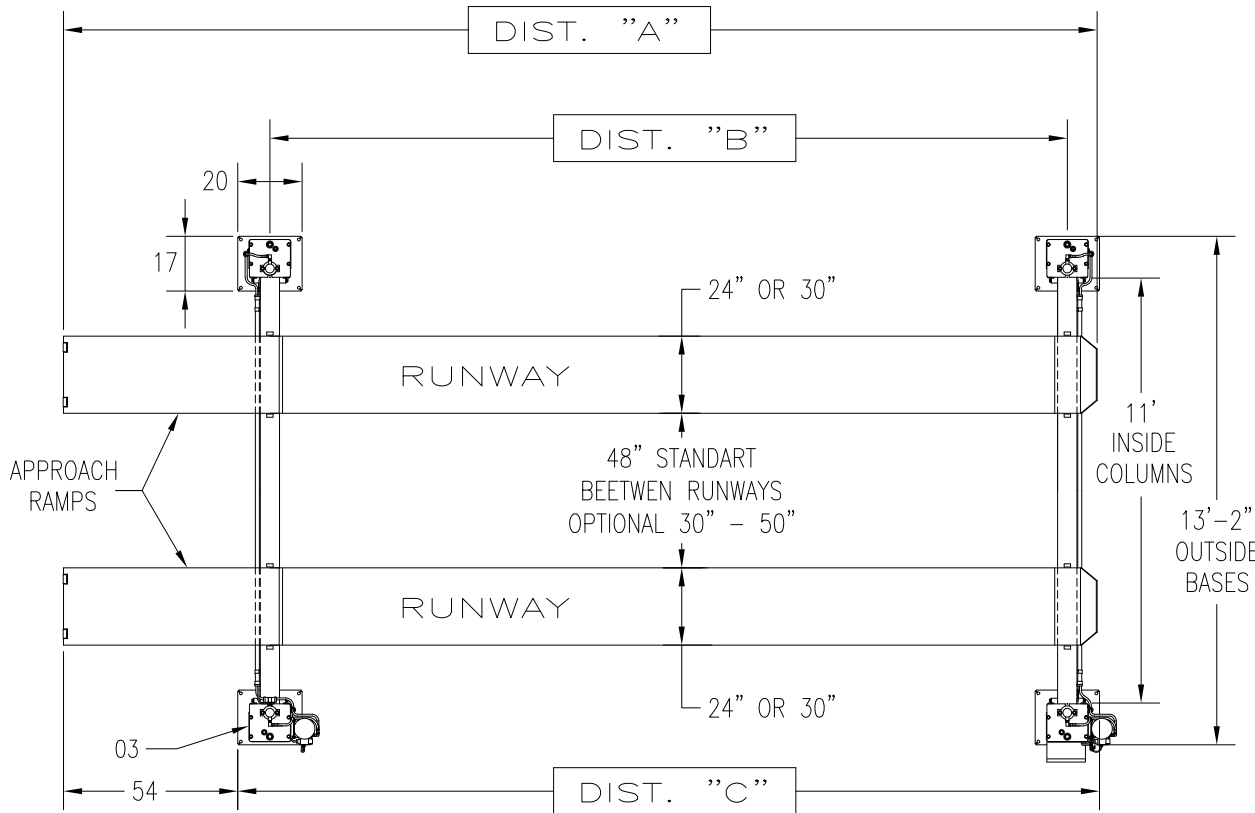


FIG.25-01.DT



SPECIFICATION					
CAPACITY	25,000LBS				
FOUR COLUMNS C/W HYDRAULIC CYLINDERS					
SAFETY DEVICES ON EACH COLUMN (MECHANICAL/AIR)					
DUAL POWER UNITS C/W EL. MOTORS P/U W/P 2050 PSI	STANDARD	2 x 3HP, 3PH, 230/460V			
	OPTIONAL	2 x 3HP, 3PH, 575V			
	OPTIONAL	2 x 3HP, 1PH, 230V			
SPEED OF RISE	72 SEC.				
RUNWAY WIDTH	24" OR 30"				
RUNWAY HEIGHT	8-3/4"				
RUNWAYS LENGTH	MODEL: PK25-4-20	20' LONG	309"	235 ³ / ₄ "	255 ³ / ₄ "
	MODEL: PK25-4-21	21' LONG	321"	247 ³ / ₄ "	267 ³ / ₄ "
	MODEL: PK25-4-22	22' LONG	333"	259 ³ / ₄ "	279 ³ / ₄ "
	MODEL: PK25-4-23	23' LONG	345"	271 ³ / ₄ "	291 ³ / ₄ "
	MODEL: PK25-4-24	24' LONG	357"	283 ³ / ₄ "	303 ³ / ₄ "
	MODEL: PK25-4-25	25' LONG	369"	295 ³ / ₄ "	315 ³ / ₄ "
	MODEL: PK25-4-26	26' LONG	381"	307 ³ / ₄ "	327 ³ / ₄ "
	MODEL: PK25-4-27	27' LONG	393"	319 ³ / ₄ "	339 ³ / ₄ "
	MODEL: PK25-4-28	28' LONG	405"	331 ³ / ₄ "	351 ³ / ₄ "
	MODEL: PK25-4-29	29' LONG	417"	343 ³ / ₄ "	363 ³ / ₄ "
	MODEL: PK25-4-30	30' LONG	429"	355 ³ / ₄ "	375 ³ / ₄ "
	MODEL: PK25-4-31	31' LONG	441"	367 ³ / ₄ "	387 ³ / ₄ "
	MODEL: PK25-4-32	32' LONG	453"	379 ³ / ₄ "	399 ³ / ₄ "
	MODEL: PK25-4-33	33' LONG	465"	391 ³ / ₄ "	411 ³ / ₄ "
MODEL: PK25-4-34	34' LONG	477"	403 ³ / ₄ "	423 ³ / ₄ "	
INSIDE COLUMN CLEARANCE	11'				
OVERALL LIFTING HEIGHT	5'-8 3/4"				
OVERALL HEIGHT	12'-4"				
OVERALL WIDTH	13'-10"				
OPTIONAL - ROLLING JACKING BEAM					

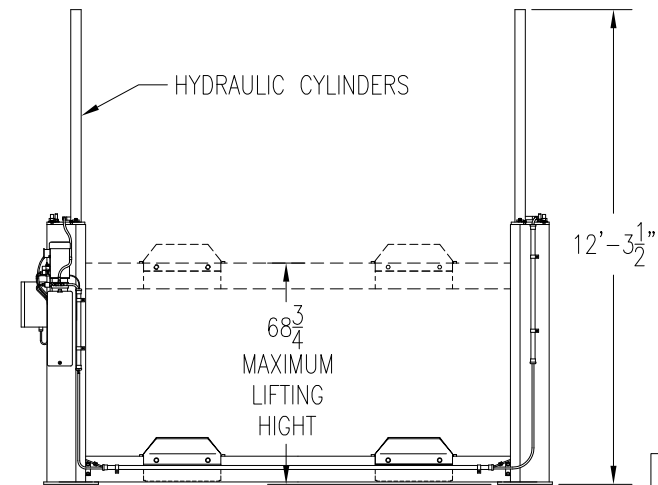
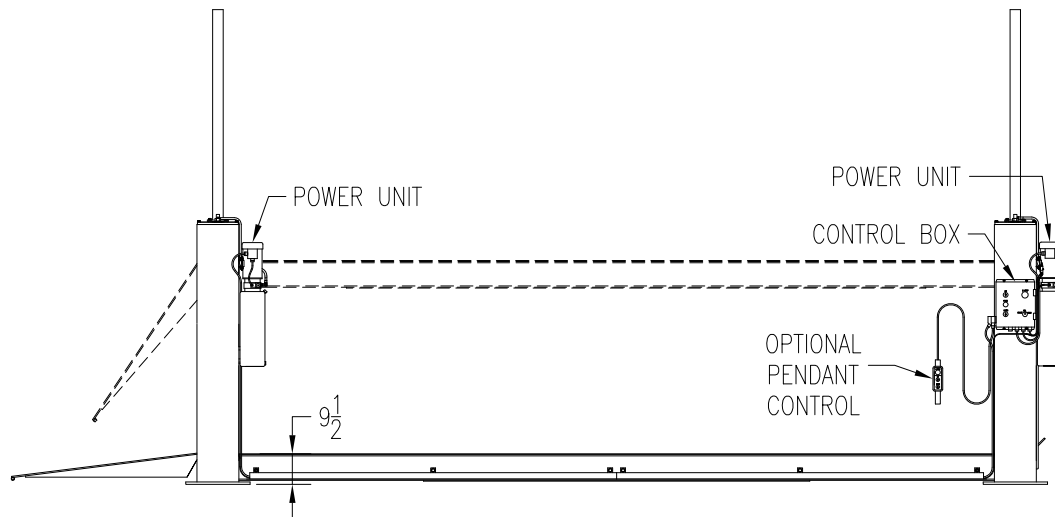
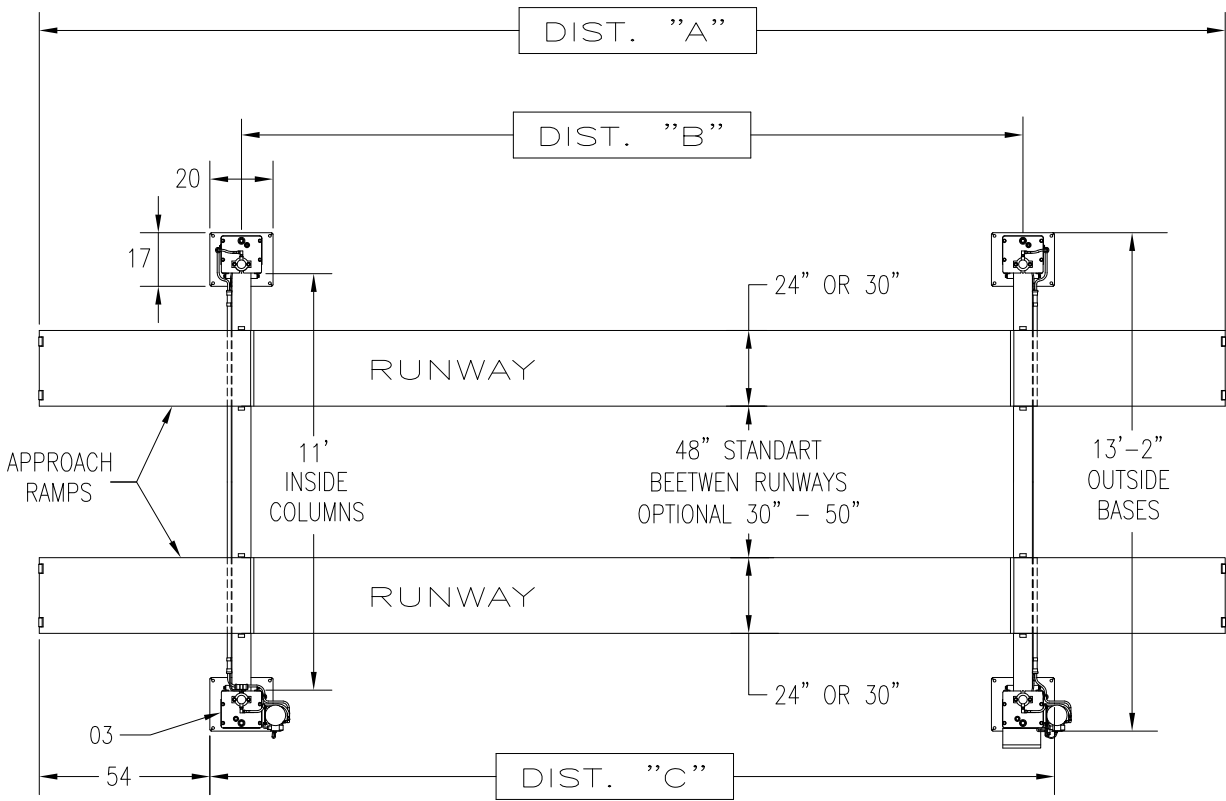


FIG.25-01



SPECIFICATION					
CAPACITY	30,000LBS				
FOUR COLUMNS C/W HYDRAULIC CYLINDERS					
SAFETY DEVICES ON EACH COLUMN (MECHANICAL/AIR)					
DUAL POWER UNITS C/W EL. MOTORS P/U W/P 2450 PSI	STANDARD	2 x 3HP, 3PH, 230/460V			
	OPTIONAL	2 x 3HP, 3PH, 575V			
	OPTIONAL	2 x 3HP, 1PH, 230V			
SPEED OF RISE	72 SEC.				
RUNWAY WIDTH	24" OR 30"				
RUNWAY HEIGHT	8-3/4"				
RUNWAYS LENGTH	MODEL: PK30-4-20DT	20' LONG	364"	235 ³ / ₄ "	255 ³ / ₄ "
	MODEL: PK30-4-21DT	21' LONG	376"	247 ³ / ₄ "	267 ³ / ₄ "
	MODEL: PK30-4-22DT	22' LONG	388"	259 ³ / ₄ "	279 ³ / ₄ "
	MODEL: PK30-4-23DT	23' LONG	400"	271 ³ / ₄ "	291 ³ / ₄ "
	MODEL: PK30-4-24DT	24' LONG	412"	283 ³ / ₄ "	303 ³ / ₄ "
	MODEL: PK30-4-25DT	25' LONG	424"	295 ³ / ₄ "	315 ³ / ₄ "
	MODEL: PK30-4-26DT	26' LONG	436"	307 ³ / ₄ "	327 ³ / ₄ "
	MODEL: PK30-4-27DT	27' LONG	448"	319 ³ / ₄ "	339 ³ / ₄ "
	MODEL: PK30-4-28DT	28' LONG	460"	331 ³ / ₄ "	351 ³ / ₄ "
	MODEL: PK30-4-29DT	29' LONG	472"	343 ³ / ₄ "	363 ³ / ₄ "
	MODEL: PK30-4-30DT	30' LONG	484"	355 ³ / ₄ "	375 ³ / ₄ "
	MODEL: PK30-4-31DT	31' LONG	496"	367 ³ / ₄ "	387 ³ / ₄ "
	MODEL: PK30-4-32DT	32' LONG	508"	379 ³ / ₄ "	399 ³ / ₄ "
	MODEL: PK30-4-33DT	33' LONG	520"	391 ³ / ₄ "	411 ³ / ₄ "
MODEL: PK30-4-34DT	34' LONG	532"	403 ³ / ₄ "	423 ³ / ₄ "	
INSIDE COLUMN CLEARANCE	11'				
OVERALL LIFTING HEIGHT	5'-8 3/4"				
OVERALL HEIGHT	12'-4"				
OVERALL WIDTH	13'-10"				
OPTIONAL - ROLLING JACKING BEAM					

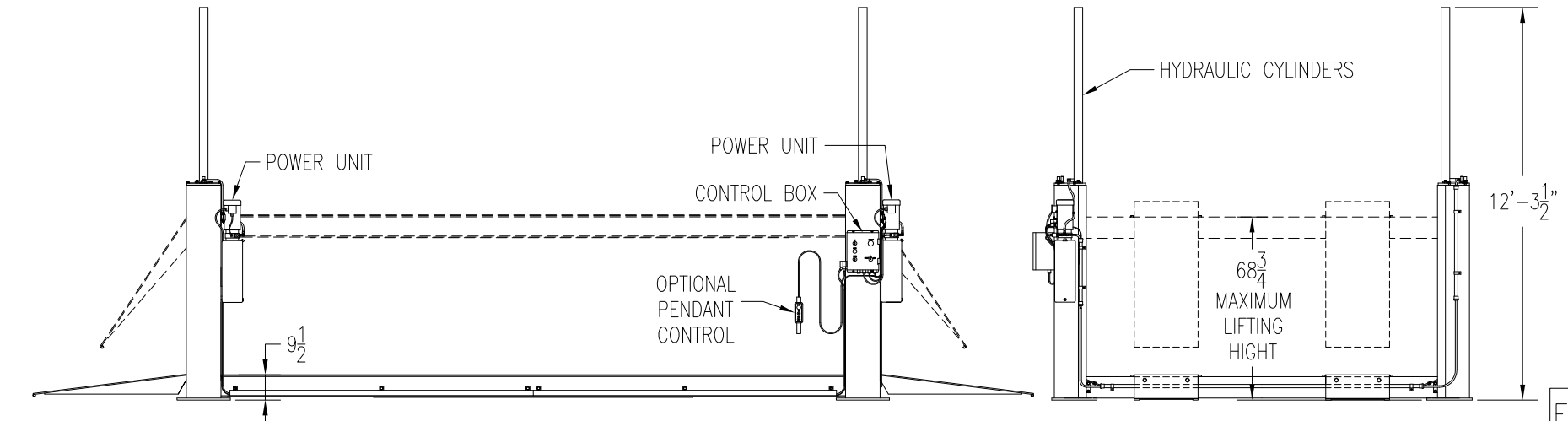
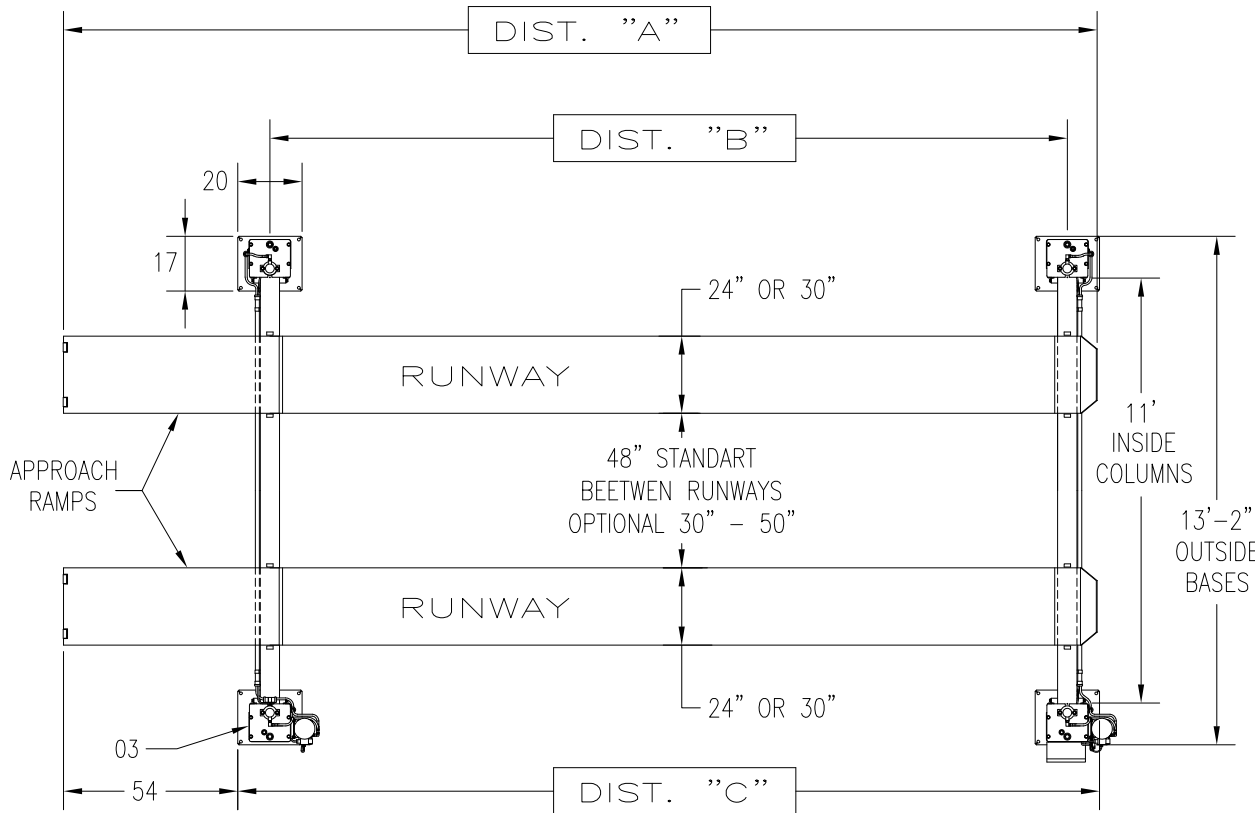


FIG.30-01.DT



SPECIFICATION					
CAPACITY	30,000LBS				
FOUR COLUMNS C/W HYDRAULIC CYLINDERS					
SAFETY DEVICES ON EACH COLUMN (MECHANICAL/AIR)					
DUAL POWER UNITS C/W EL. MOTORS P/U W/P 2450 PSI	STANDARD	2 x 3HP, 3PH, 230/460V			
	OPTIONAL	2 x 3HP, 3PH, 575V			
	OPTIONAL	2 x 3HP, 1PH, 230V			
SPEED OF RISE	72 SEC.				
RUNWAY WIDTH	24" OR 30"				
RUNWAY HEIGHT	8-3/4"				
		DISTANCES			
		"A" "B" "C"			
RUNWAYS LENGTH	MODEL: PK30-4-20	20' LONG	309"	235 ³ / ₄ "	255 ³ / ₄ "
	MODEL: PK30-4-21	21' LONG	321"	247 ³ / ₄ "	267 ³ / ₄ "
	MODEL: PK30-4-22	22' LONG	333"	259 ³ / ₄ "	279 ³ / ₄ "
	MODEL: PK30-4-23	23' LONG	345"	271 ³ / ₄ "	291 ³ / ₄ "
	MODEL: PK30-4-24	24' LONG	357"	283 ³ / ₄ "	303 ³ / ₄ "
	MODEL: PK30-4-25	25' LONG	369"	295 ³ / ₄ "	315 ³ / ₄ "
	MODEL: PK30-4-26	26' LONG	381"	307 ³ / ₄ "	327 ³ / ₄ "
	MODEL: PK30-4-27	27' LONG	393"	319 ³ / ₄ "	339 ³ / ₄ "
	MODEL: PK30-4-28	28' LONG	405"	331 ³ / ₄ "	351 ³ / ₄ "
	MODEL: PK30-4-29	29' LONG	417"	343 ³ / ₄ "	363 ³ / ₄ "
	MODEL: PK30-4-30	30' LONG	429"	355 ³ / ₄ "	375 ³ / ₄ "
	MODEL: PK30-4-31	31' LONG	441"	367 ³ / ₄ "	387 ³ / ₄ "
	MODEL: PK30-4-32	32' LONG	453"	379 ³ / ₄ "	399 ³ / ₄ "
MODEL: PK30-4-33	33' LONG	465"	391 ³ / ₄ "	411 ³ / ₄ "	
MODEL: PK30-4-34	34' LONG	477"	403 ³ / ₄ "	423 ³ / ₄ "	
INSIDE COLUMN CLEARANCE	11'				
OVERALL LIFTING HEIGHT	5'-8 3/4"				
OVERALL HEIGHT	12'-4"				
OVERALL WIDTH	13'-10"				
OPTIONAL - ROLLING JACKING BEAM					

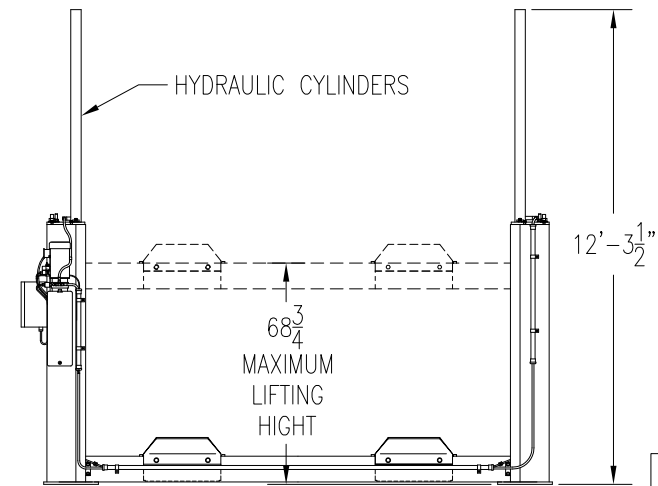
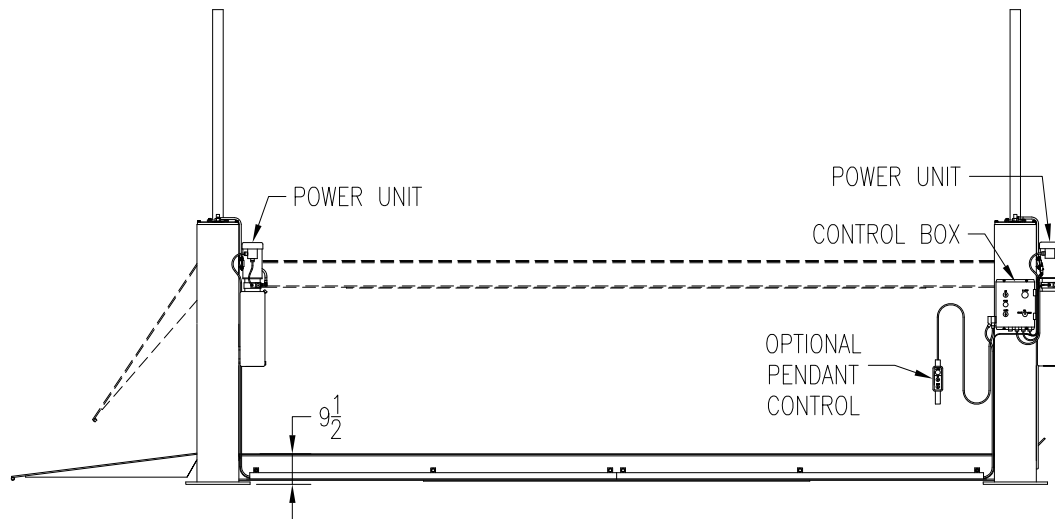
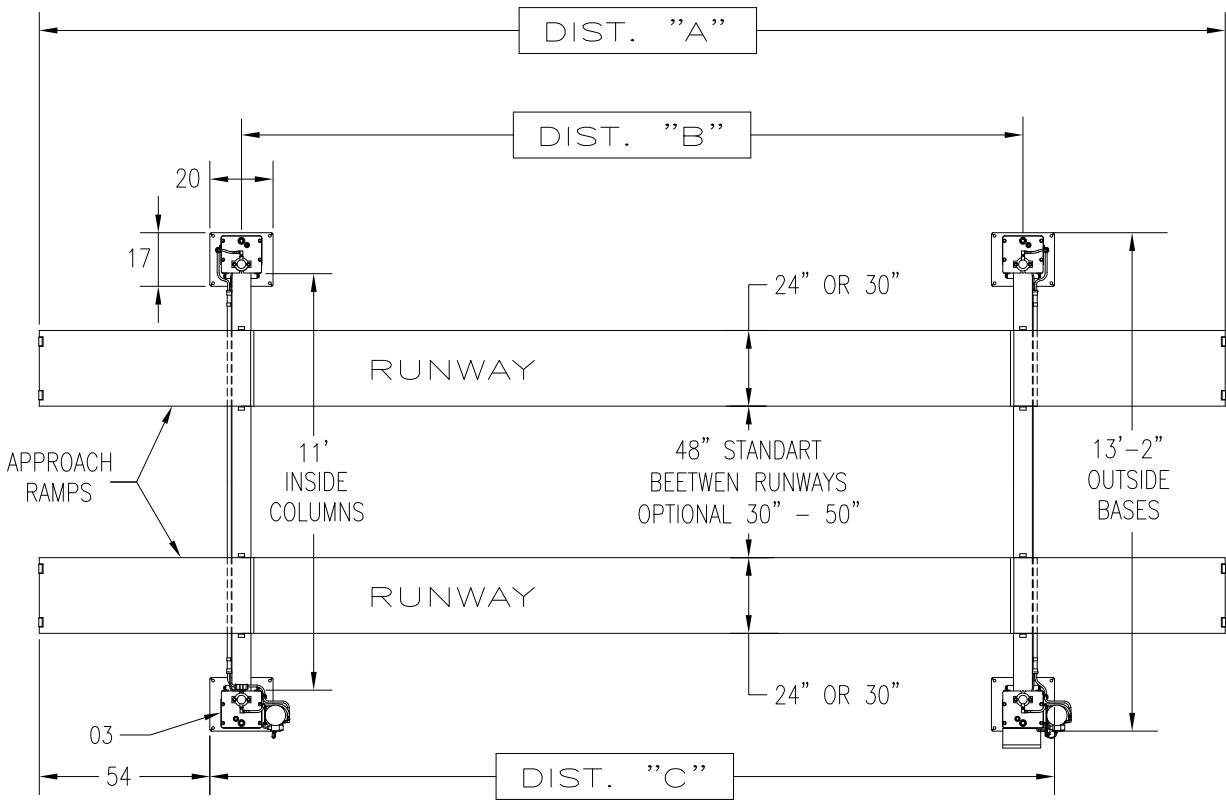


FIG.30-01



SPECIFICATION					
CAPACITY	35,000LBS				
FOUR COLUMNS C/W HYDRAULIC CYLINDERS					
SAFETY DEVICES ON EACH COLUMN (MECHANICAL/AIR)					
DUAL POWER UNITS C/W EL. MOTORS P/U W/P 2850 PSI	STANDARD	2 x 3HP, 3PH, 230/460V			
	OPTIONAL	2 x 3HP, 3PH, 575V			
	OPTIONAL	2 x 3HP, 1PH, 230V			
SPEED OF RISE	72 SEC.				
RUNWAY WIDTH	24" OR 30"				
RUNWAY HEIGHT	8-3/4"				
	"A"	"B"	"C"		
RUNWAYS LENGTH	MODEL: PK35-4-20DT	20' LONG	364"	235 ³ / ₄ "	255 ³ / ₄ "
	MODEL: PK35-4-21DT	21' LONG	376"	247 ³ / ₄ "	267 ³ / ₄ "
	MODEL: PK35-4-22DT	22' LONG	388"	259 ³ / ₄ "	279 ³ / ₄ "
	MODEL: PK35-4-23DT	23' LONG	400"	271 ³ / ₄ "	291 ³ / ₄ "
	MODEL: PK35-4-24DT	24' LONG	412"	283 ³ / ₄ "	303 ³ / ₄ "
	MODEL: PK35-4-25DT	25' LONG	424"	295 ³ / ₄ "	315 ³ / ₄ "
	MODEL: PK35-4-26DT	26' LONG	436"	307 ³ / ₄ "	327 ³ / ₄ "
	MODEL: PK35-4-27DT	27' LONG	448"	319 ³ / ₄ "	339 ³ / ₄ "
	MODEL: PK35-4-28DT	28' LONG	460"	331 ³ / ₄ "	351 ³ / ₄ "
	MODEL: PK35-4-29DT	29' LONG	472"	343 ³ / ₄ "	363 ³ / ₄ "
	MODEL: PK35-4-30DT	30' LONG	484"	355 ³ / ₄ "	375 ³ / ₄ "
	MODEL: PK35-4-31DT	31' LONG	496"	367 ³ / ₄ "	387 ³ / ₄ "
	MODEL: PK35-4-32DT	32' LONG	508"	379 ³ / ₄ "	399 ³ / ₄ "
	MODEL: PK35-4-33DT	33' LONG	520"	391 ³ / ₄ "	411 ³ / ₄ "
MODEL: PK35-4-34DT	34' LONG	532"	403 ³ / ₄ "	423 ³ / ₄ "	
INSIDE COLUMN CLEARANCE	11'				
OVERALL LIFTING HEIGHT	5'-8 3/4"				
OVERALL HEIGHT	12'-4"				
OVERALL WIDTH	13'-10"				
OPTIONAL - ROLLING JACKING BEAM					

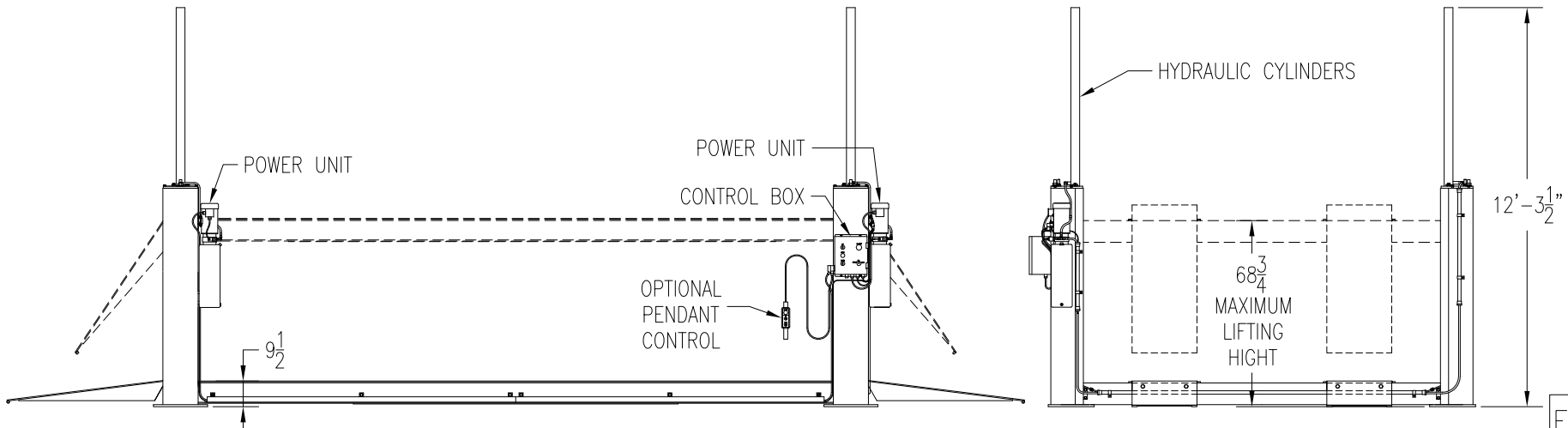
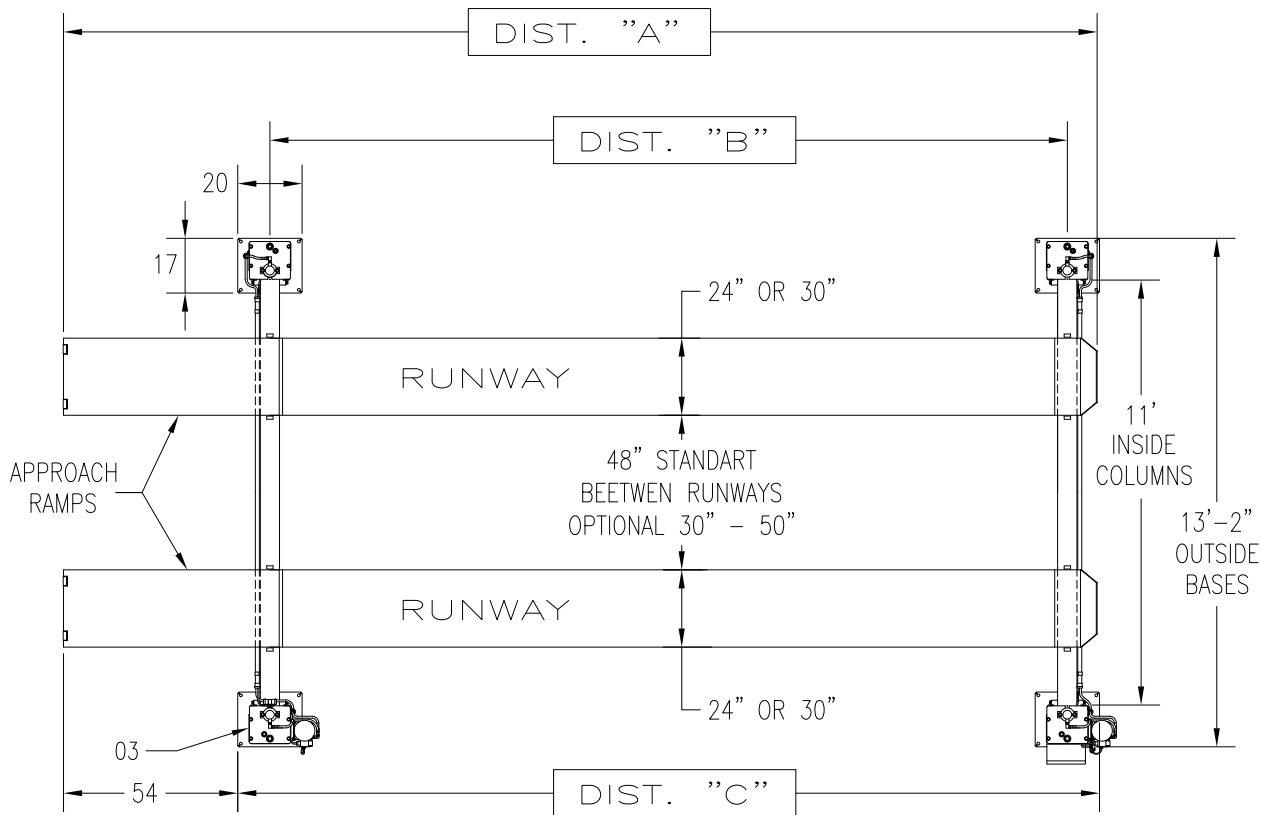


FIG.35-01.DT



SPECIFICATION					
CAPACITY	35,000LBS				
FOUR COLUMNS C/W HYDRAULIC CYLINDERS					
SAFETY DEVICES ON EACH COLUMN (MECHANICAL/AIR)					
DUAL POWER UNITS C/W EL. MOTORS P/U W/P 2850 PSI	STANDARD	2 x 3HP, 3PH, 230/460V			
	OPTIONAL	2 x 3HP, 3PH, 575V			
	OPTIONAL	2 x 3HP, 1PH, 230V			
SPEED OF RISE	72 SEC.				
RUNWAY WIDTH	24" OR 30"				
RUNWAY HEIGHT	8-3/4"				
RUNWAYS LENGTH	MODEL: PK35-4-20	20' LONG	309"	235 ³ / ₄ "	255 ³ / ₄ "
	MODEL: PK35-4-21	21' LONG	321"	247 ³ / ₄ "	267 ³ / ₄ "
	MODEL: PK35-4-22	22' LONG	333"	259 ³ / ₄ "	279 ³ / ₄ "
	MODEL: PK35-4-23	23' LONG	345"	271 ³ / ₄ "	291 ³ / ₄ "
	MODEL: PK35-4-24	24' LONG	357"	283 ³ / ₄ "	303 ³ / ₄ "
	MODEL: PK35-4-25	25' LONG	369"	295 ³ / ₄ "	315 ³ / ₄ "
	MODEL: PK35-4-26	26' LONG	381"	307 ³ / ₄ "	327 ³ / ₄ "
	MODEL: PK35-4-27	27' LONG	393"	319 ³ / ₄ "	339 ³ / ₄ "
	MODEL: PK35-4-28	28' LONG	405"	331 ³ / ₄ "	351 ³ / ₄ "
	MODEL: PK35-4-29	29' LONG	417"	343 ³ / ₄ "	363 ³ / ₄ "
	MODEL: PK35-4-30	30' LONG	429"	355 ³ / ₄ "	375 ³ / ₄ "
	MODEL: PK35-4-31	31' LONG	441"	367 ³ / ₄ "	387 ³ / ₄ "
	MODEL: PK35-4-32	32' LONG	453"	379 ³ / ₄ "	399 ³ / ₄ "
	MODEL: PK35-4-33	33' LONG	465"	391 ³ / ₄ "	411 ³ / ₄ "
MODEL: PK35-4-34	34' LONG	477"	403 ³ / ₄ "	423 ³ / ₄ "	
INSIDE COLUMN CLEARANCE	11'				
OVERALL LIFTING HEIGHT	5'-8 3/4"				
OVERALL HEIGHT	12'-4"				
OVERALL WIDTH	13'-10"				
OPTIONAL - ROLLING JACKING BEAM					

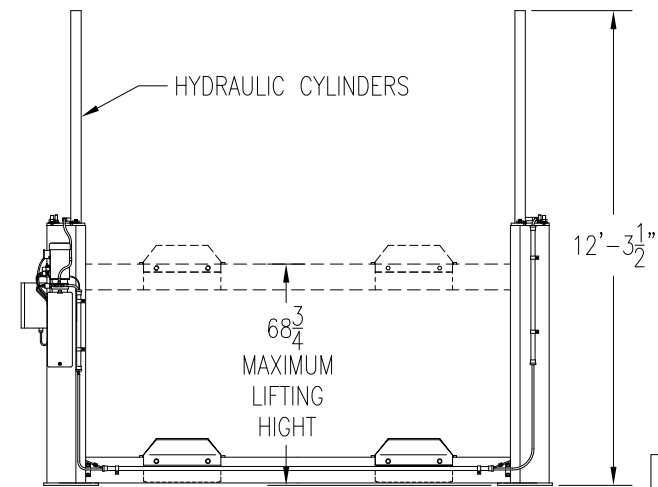
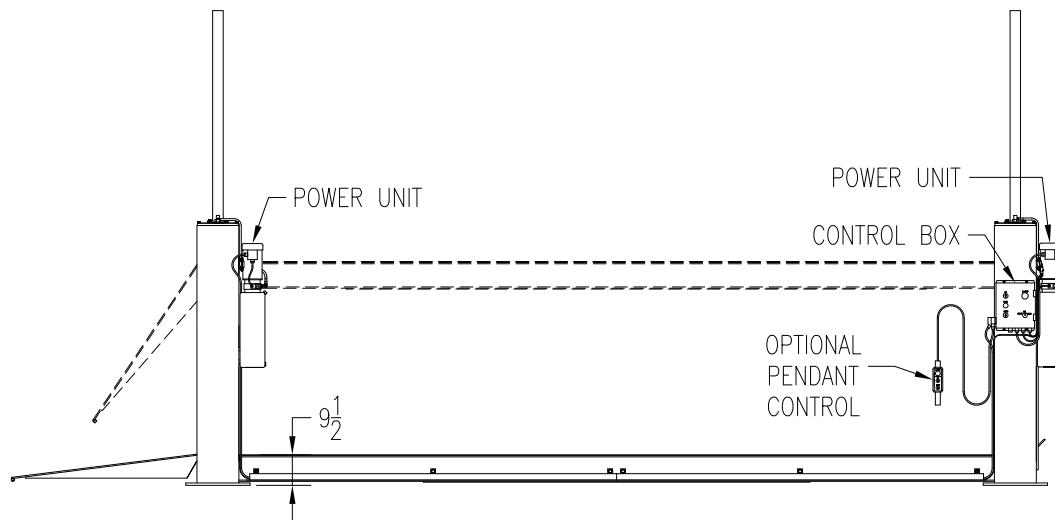
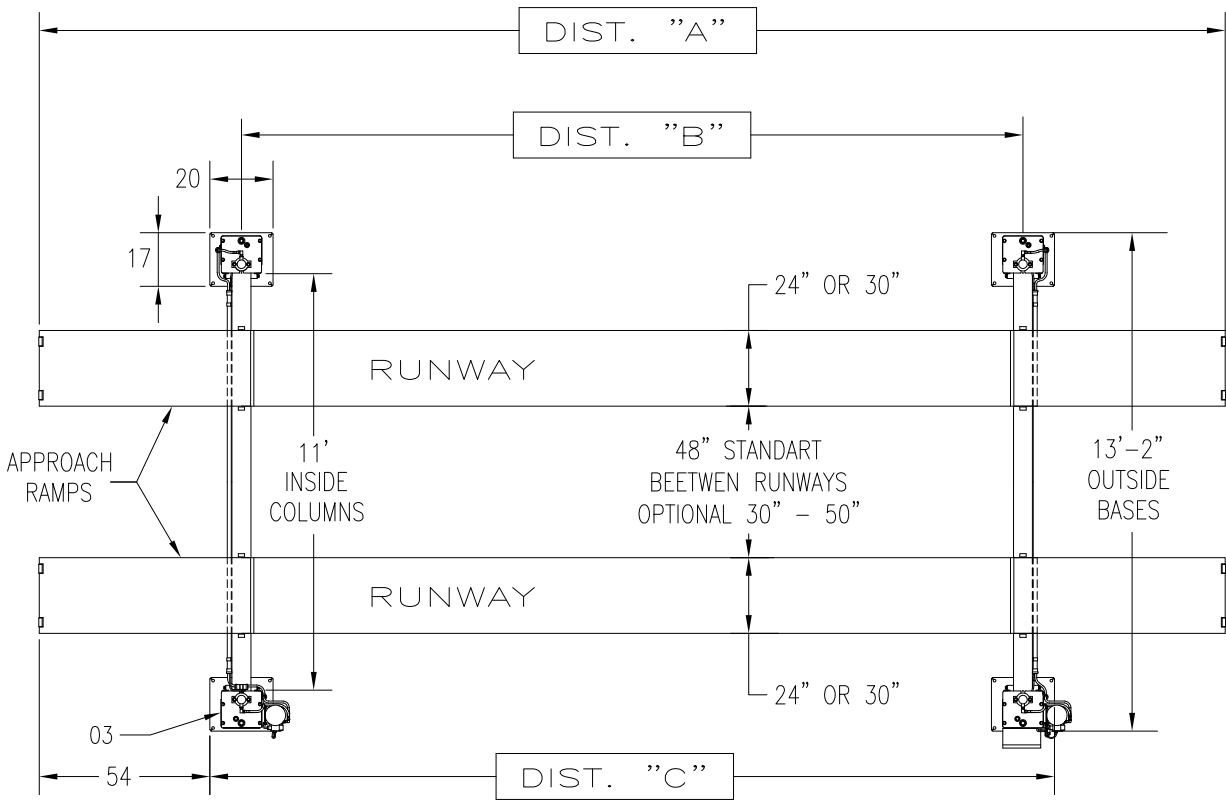


FIG.35-01



SPECIFICATION					
CAPACITY	40,000LBS				
FOUR COLUMNS C/W HYDRAULIC CYLINDERS					
SAFETY DEVICES ON EACH COLUMN (MECHANICAL/AIR)					
DUAL POWER UNITS C/W EL. MOTORS P/U W/P 3250 PSI	STANDARD	2 x 3HP, 3PH, 230/460V			
	OPTIONAL	2 x 3HP, 3PH, 575V			
	OPTIONAL	2 x 3HP, 1PH, 230V			
SPEED OF RISE	72 SEC.				
RUNWAY WIDTH	24" OR 30"				
RUNWAY HEIGHT	8-3/4"				
RUNWAYS LENGTH	MODEL: PK40-4-20DT	20' LONG	364"	235 ³ / ₄ "	255 ³ / ₄ "
	MODEL: PK40-4-21DT	21' LONG	376"	247 ³ / ₄ "	267 ³ / ₄ "
	MODEL: PK40-4-22DT	22' LONG	388"	259 ³ / ₄ "	279 ³ / ₄ "
	MODEL: PK40-4-23DT	23' LONG	400"	271 ³ / ₄ "	291 ³ / ₄ "
	MODEL: PK40-4-24DT	24' LONG	412"	283 ³ / ₄ "	303 ³ / ₄ "
	MODEL: PK40-4-25DT	25' LONG	424"	295 ³ / ₄ "	315 ³ / ₄ "
	MODEL: PK40-4-26DT	26' LONG	436"	307 ³ / ₄ "	327 ³ / ₄ "
	MODEL: PK40-4-27DT	27' LONG	448"	319 ³ / ₄ "	339 ³ / ₄ "
	MODEL: PK40-4-28DT	28' LONG	460"	331 ³ / ₄ "	351 ³ / ₄ "
	MODEL: PK40-4-29DT	29' LONG	472"	343 ³ / ₄ "	363 ³ / ₄ "
	MODEL: PK40-4-30DT	30' LONG	484"	355 ³ / ₄ "	375 ³ / ₄ "
	MODEL: PK40-4-31DT	31' LONG	496"	367 ³ / ₄ "	387 ³ / ₄ "
	MODEL: PK40-4-32DT	32' LONG	508"	379 ³ / ₄ "	399 ³ / ₄ "
	MODEL: PK40-4-33DT	33' LONG	520"	391 ³ / ₄ "	411 ³ / ₄ "
	MODEL: PK40-4-34DT	34' LONG	532"	403 ³ / ₄ "	423 ³ / ₄ "
INSIDE COLUMN CLEARANCE	11'				
OVERALL LIFTING HEIGHT	5'-8 3/4"				
OVERALL HEIGHT	12'-4"				
OVERALL WIDTH	13'-10"				
OPTIONAL - ROLLING JACKING BEAM					

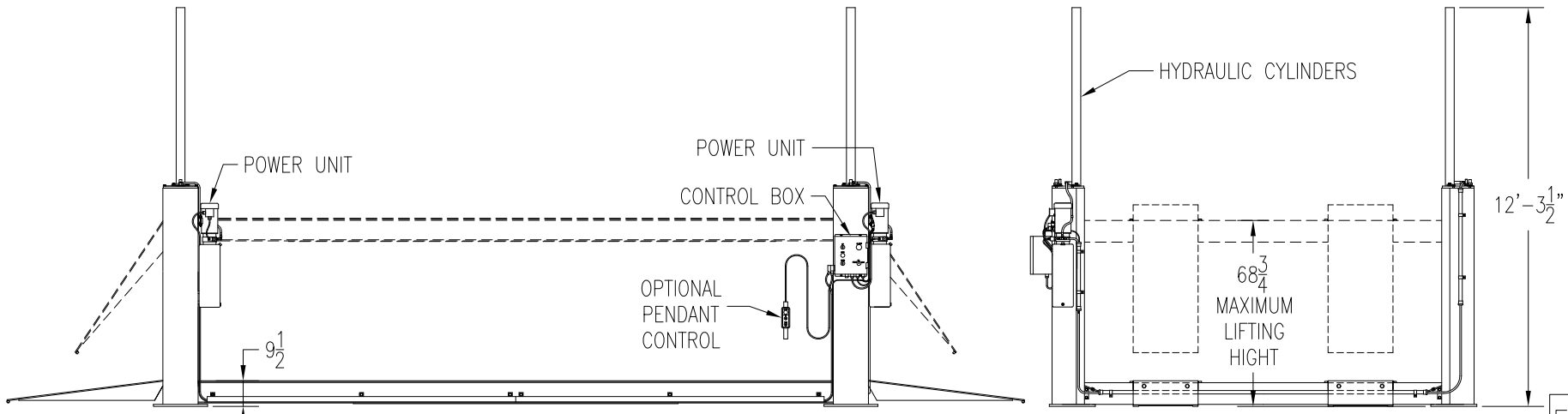
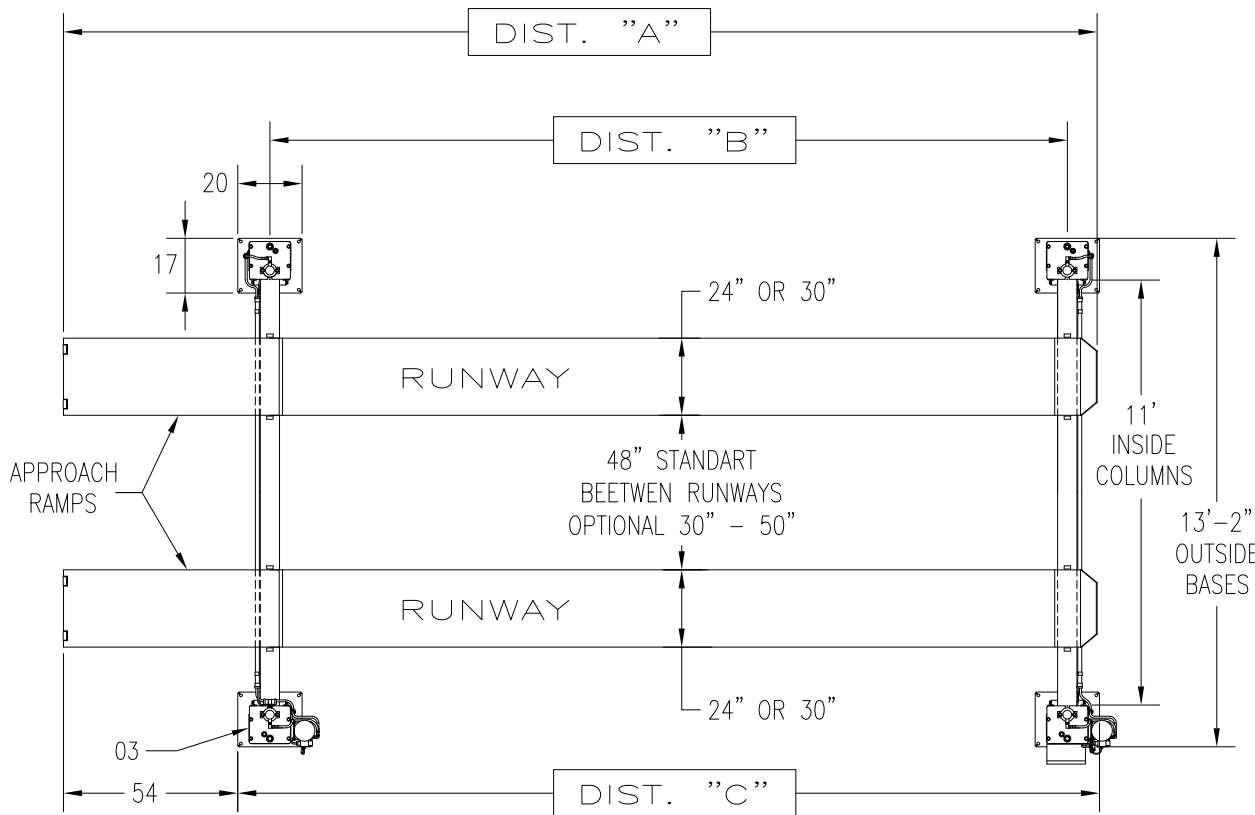


FIG.40-01.DT



SPECIFICATION					
CAPACITY	40,000LBS				
FOUR COLUMNS C/W HYDRAULIC CYLINDERS					
SAFETY DEVICES ON EACH COLUMN (MECHANICAL/AIR)					
DUAL POWER UNITS C/W EL. MOTORS P/U W/P 3250 PSI	STANDARD	2 x 3HP, 3PH, 230/460V			
	OPTIONAL	2 x 3HP, 3PH, 575V			
	OPTIONAL	2 x 3HP, 1PH, 230V			
SPEED OF RISE	72 SEC.				
RUNWAY WIDTH	24" OR 30"				
RUNWAY HEIGHT	8-3/4"				
RUNWAYS LENGTH	MODEL: PK40-4-20	20' LONG	309"	235 ³ / ₄ "	255 ³ / ₄ "
	MODEL: PK40-4-21	21' LONG	321"	247 ³ / ₄ "	267 ³ / ₄ "
	MODEL: PK40-4-22	22' LONG	333"	259 ³ / ₄ "	279 ³ / ₄ "
	MODEL: PK40-4-23	23' LONG	345"	271 ³ / ₄ "	291 ³ / ₄ "
	MODEL: PK40-4-24	24' LONG	357"	283 ³ / ₄ "	303 ³ / ₄ "
	MODEL: PK40-4-25	25' LONG	369"	295 ³ / ₄ "	315 ³ / ₄ "
	MODEL: PK40-4-26	26' LONG	381"	307 ³ / ₄ "	327 ³ / ₄ "
	MODEL: PK40-4-27	27' LONG	393"	319 ³ / ₄ "	339 ³ / ₄ "
	MODEL: PK40-4-28	28' LONG	405"	331 ³ / ₄ "	351 ³ / ₄ "
	MODEL: PK40-4-29	29' LONG	417"	343 ³ / ₄ "	363 ³ / ₄ "
	MODEL: PK40-4-30	30' LONG	429"	355 ³ / ₄ "	375 ³ / ₄ "
	MODEL: PK40-4-31	31' LONG	441"	367 ³ / ₄ "	387 ³ / ₄ "
	MODEL: PK40-4-32	32' LONG	453"	379 ³ / ₄ "	399 ³ / ₄ "
	MODEL: PK40-4-33	33' LONG	465"	391 ³ / ₄ "	411 ³ / ₄ "
MODEL: PK40-4-34	34' LONG	477"	403 ³ / ₄ "	423 ³ / ₄ "	
INSIDE COLUMN CLEARANCE	11'				
OVERALL LIFTING HEIGHT	5'-8 3/4"				
OVERALL HEIGHT	12'-4"				
OVERALL WIDTH	13'-10"				
OPTIONAL - ROLLING JACKING BEAM					

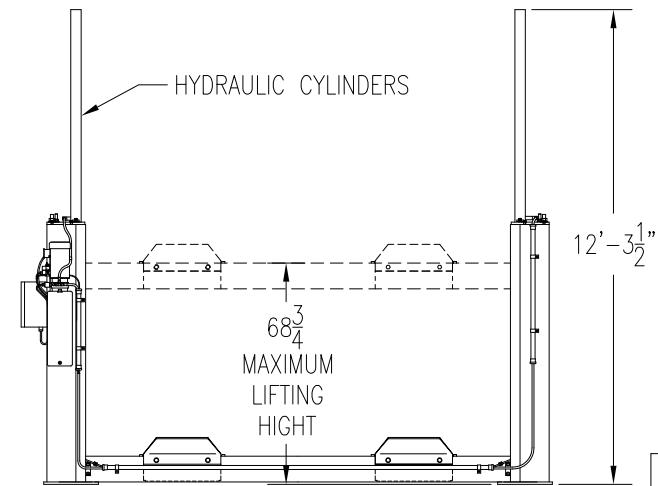
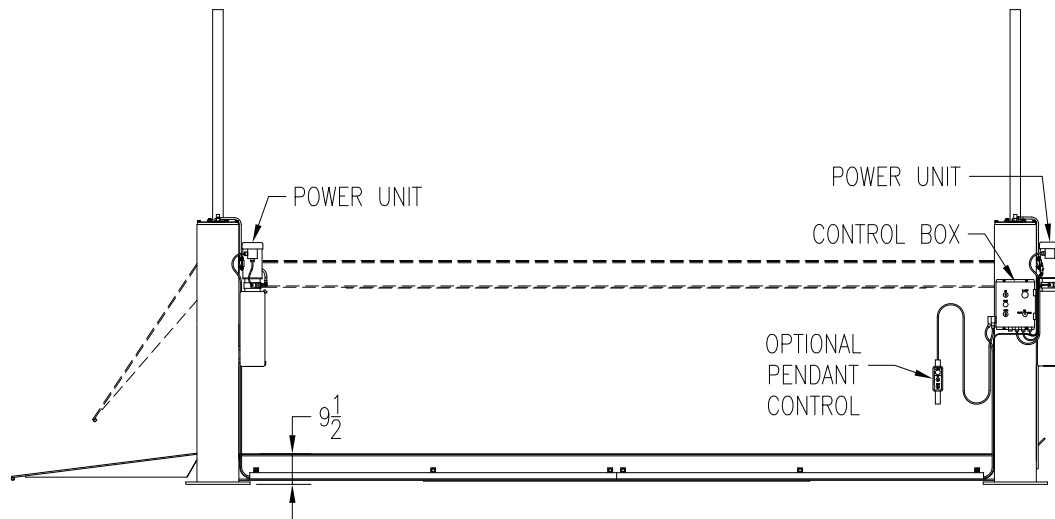


FIG.40-01