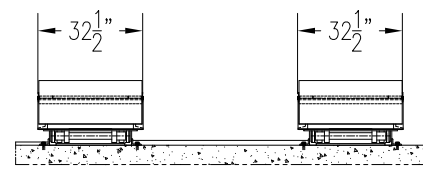
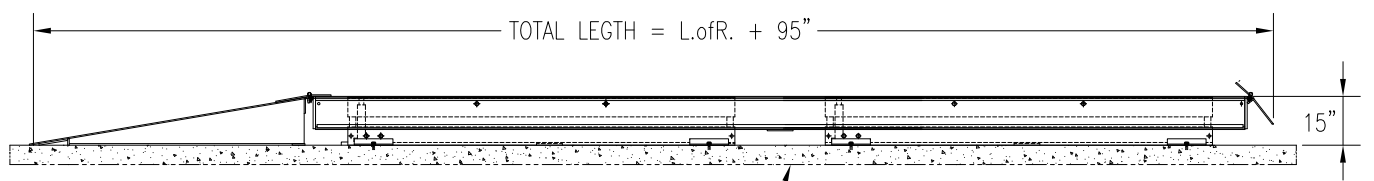
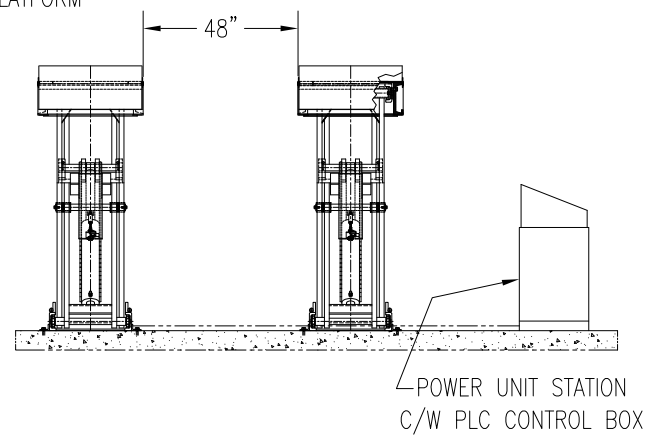
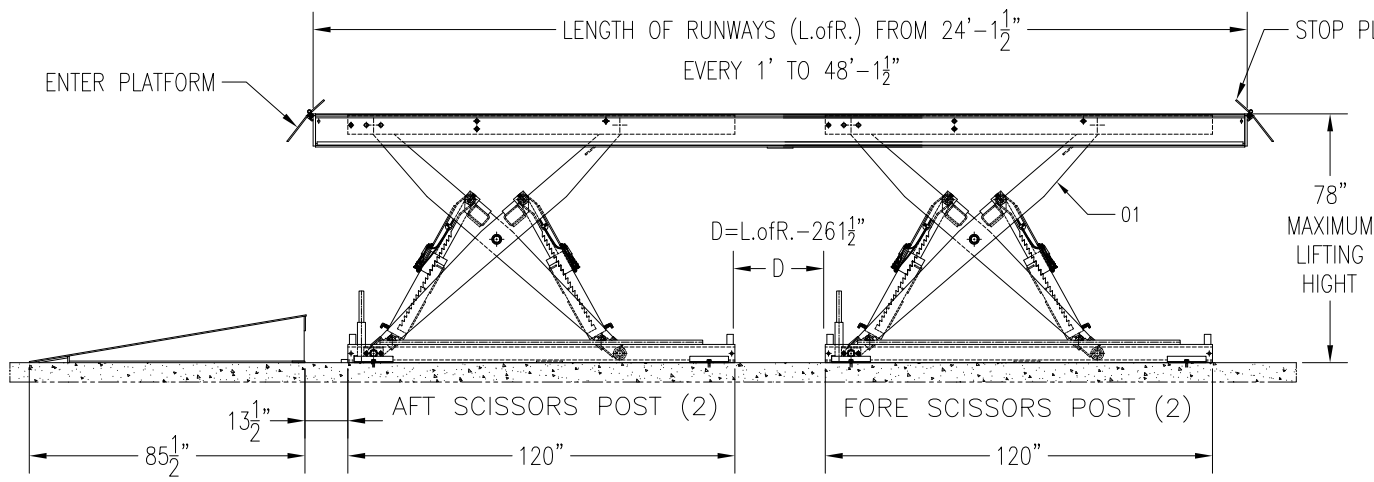


SPECIFICATION	
CAPACITY	50,000LBS
FOUR SCISSORS POSTS C/W HYDRAULIC CYLINDERS	
SAFETY DEVICES ON EACH COLUMN (MECHANICAL/AIR)	
PLC BASED CONTROL SYSTEM	
4 POWER UNITS C/W EL. MOTORS	STANDARD 4 x 2HP, 3PH, 230/460V, 22/44A OPTIONAL 4 x 2HP, 3PH, 575V, 18A
SPEED OF RISE	72 SEC.
OVERALL LIFTING HEIGHT	78"
RETRACTED HEIGHT	15"
OVERALL WIDTH	9'-5"
RUNWAY WIDTH	32-1/2"
RUNWAYS LENGTH: FROM 24' EVERY 1' TO 48' LONG	

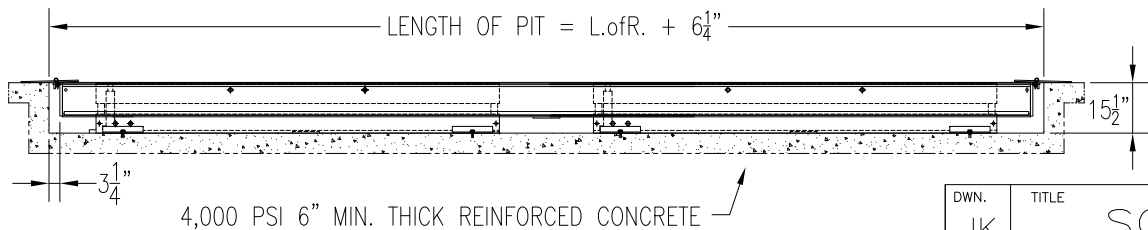
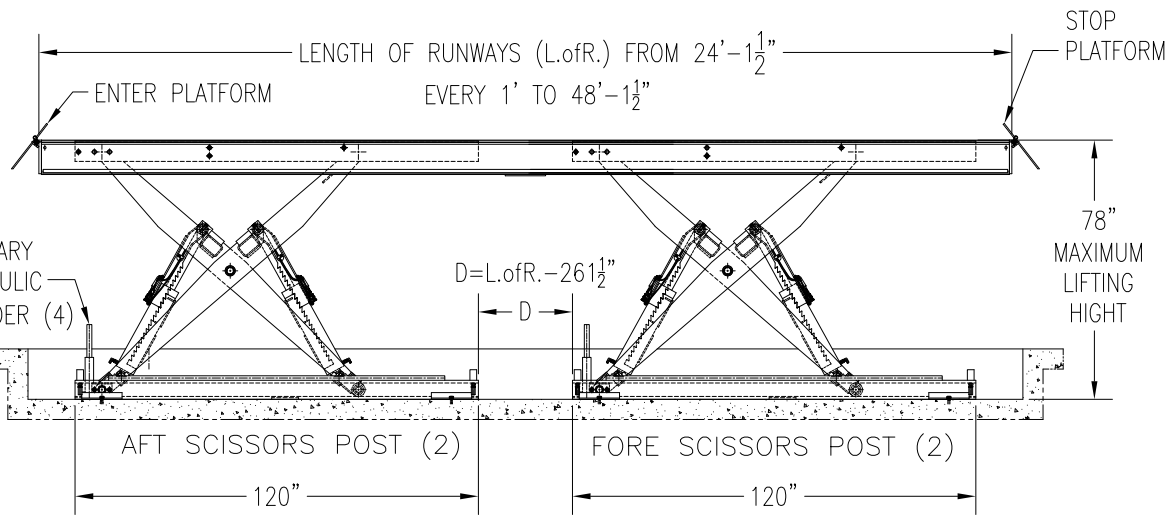
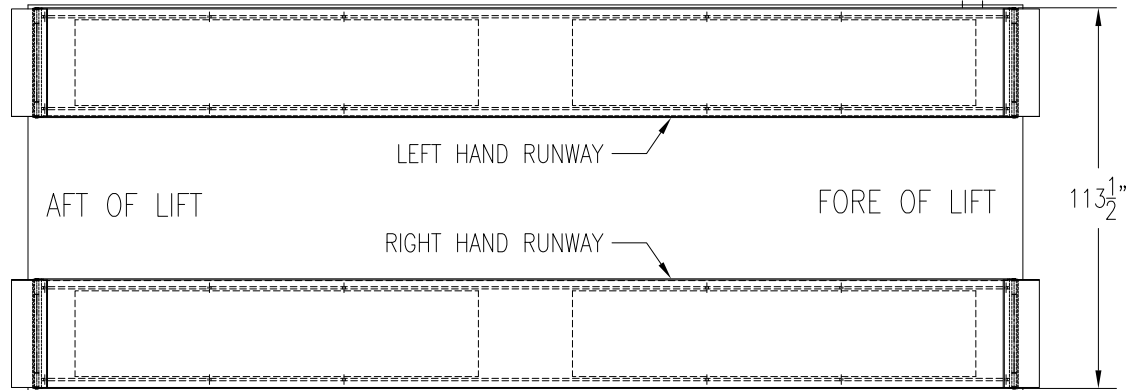
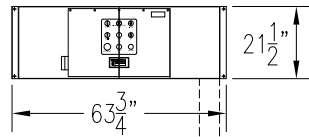
MODEL: PKSC50
CAPACITY: 50,000 LBS



NOTE: DRAWING NOT TO SCALE.

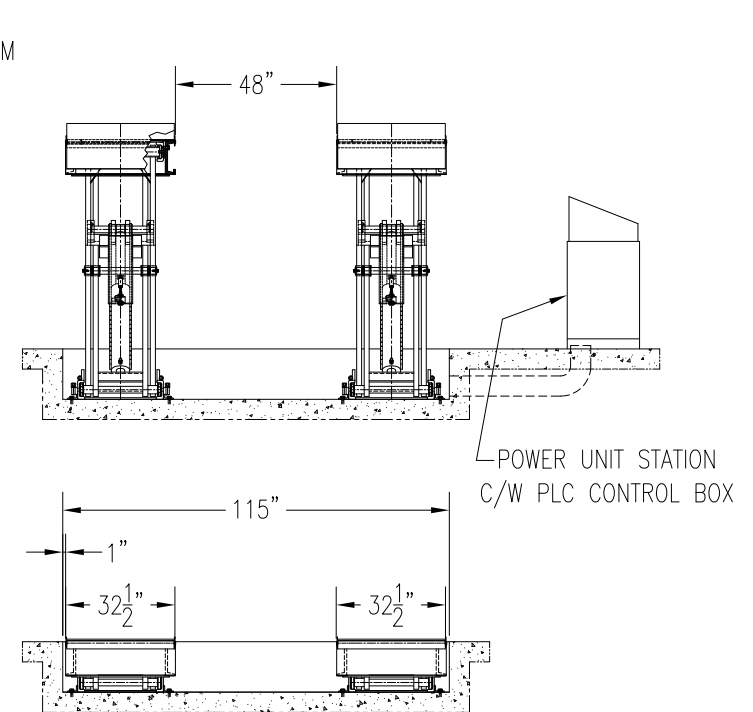
DWN. JK	TITLE SCISSORS LIFT MODEL: PKSC50
APPR. KK	P K S
	AUG.26/2013
	DWG PKSC50-FIG.01
	A

LOCATION OF POWER UNIT STATION
TO BE DETERMINE BY END USER



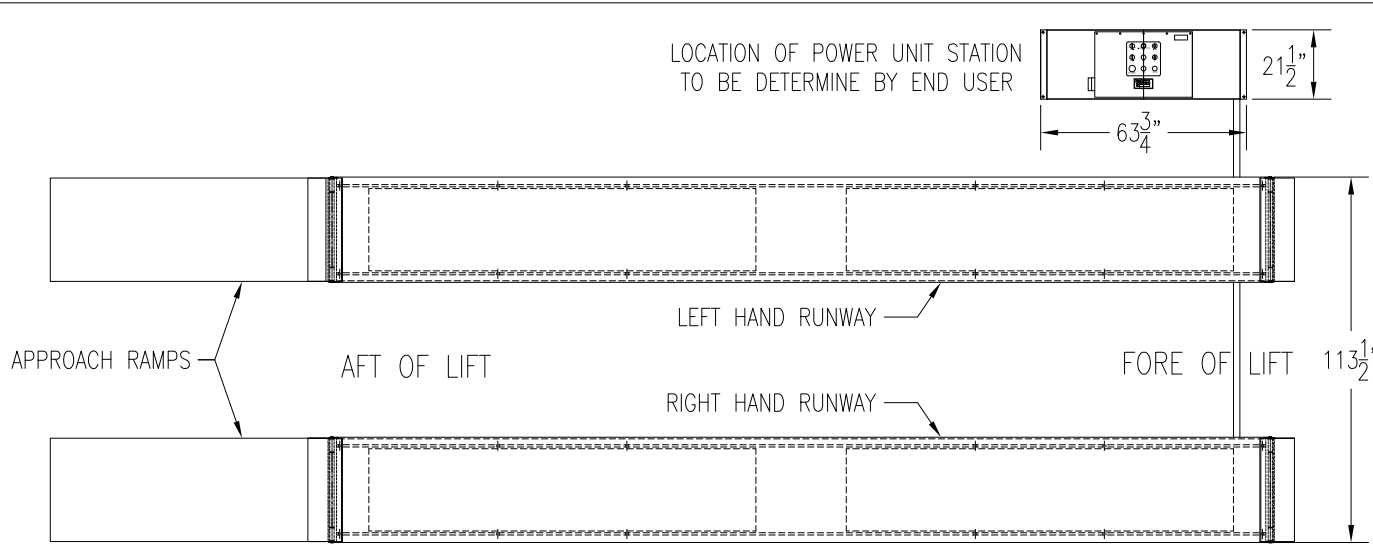
SPECIFICATION		
CAPACITY	50,000LBS	
FOUR SCISSORS POSTS C/W HYDRAULIC CYLINDERS		
SAFETY DEVICES ON EACH COLUMN (MECHANICAL/AIR)		
PLC BASED CONTROL SYSTEM		
4 POWER UNITS C/W EL. MOTORS	STANDARD	4 x 2HP, 3PH, 230/460V, 22/44A
	OPTIONAL	4 x 2HP, 3PH, 575V, 18A
SPEED OF RISE	72 SEC.	
OVERALL LIFTING HEIGHT	78"	
RETRACTED HEIGHT	15"	
OVERALL WIDTH	9'-5"	
RUNWAY WIDTH	32-1/2"	
RUNWAYS LENGTH:	FROM 24' EVERY 1' TO 48' LONG	

MODEL: PKSC50R
CAPACITY: 50,000 LBS



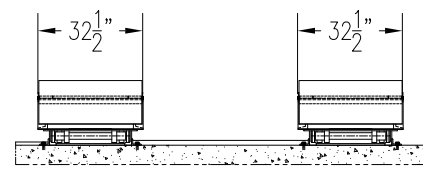
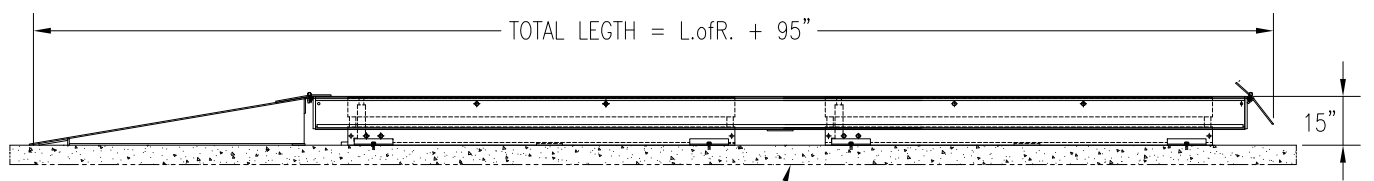
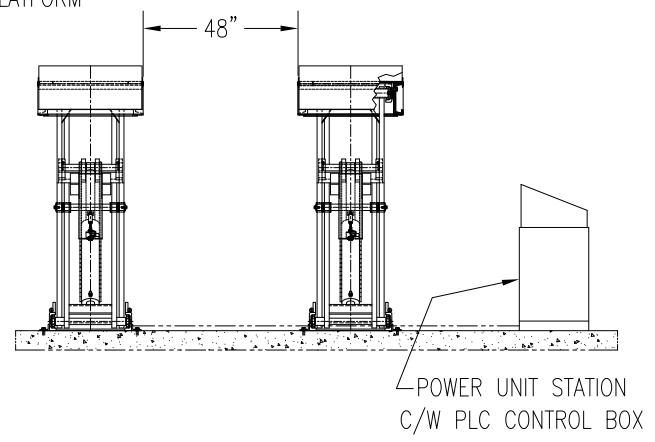
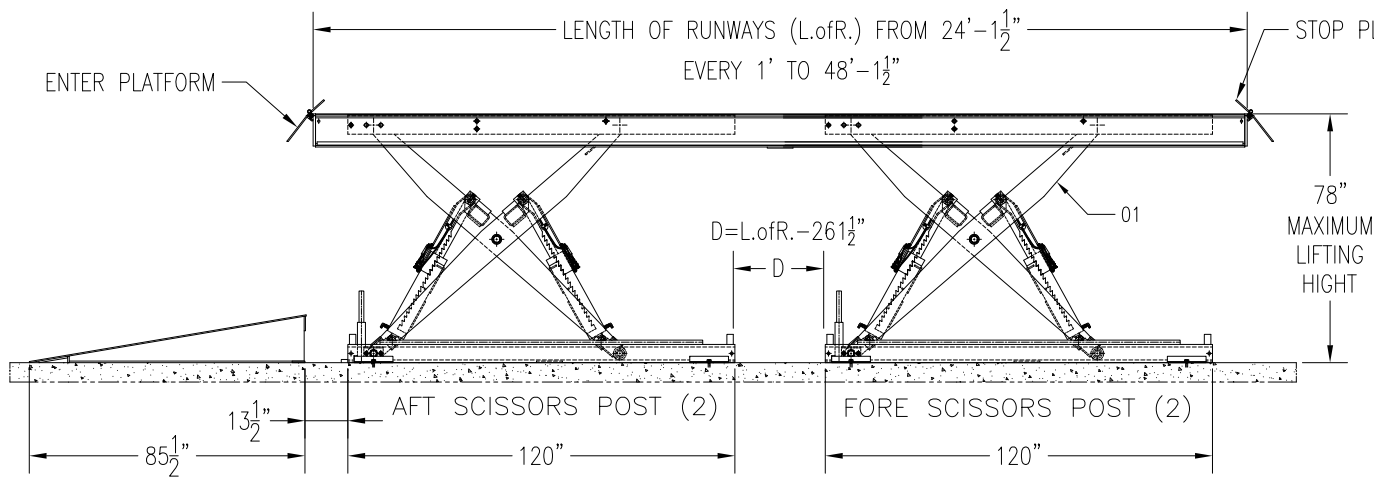
NOTE: DRAWING NOT TO SCALE.

DWN. JK	TITLE SCISSORS LIFT MODEL: PKSC50R
APPR. KK	P K S
	AUG.26/2013
	DWG PKSC50R-FIG.01
	A



SPECIFICATION	
CAPACITY	55,000LBS
FOUR SCISSORS POSTS C/W HYDRAULIC CYLINDERS	
SAFETY DEVICES ON EACH COLUMN (MECHANICAL/AIR)	
PLC BASED CONTROL SYSTEM	
4 POWER UNITS C/W EL. MOTORS	STANDARD 4 x 2HP, 3PH, 230/460V, 22/44A OPTIONAL 4 x 2HP, 3PH, 575V, 18A
SPEED OF RISE	72 SEC.
OVERALL LIFTING HEIGHT	78"
RETRACTED HEIGHT	15"
OVERALL WIDTH	9'-5"
RUNWAY WIDTH	32-1/2"
RUNWAYS LENGTH: FROM 24' EVERY 1' TO 48' LONG	

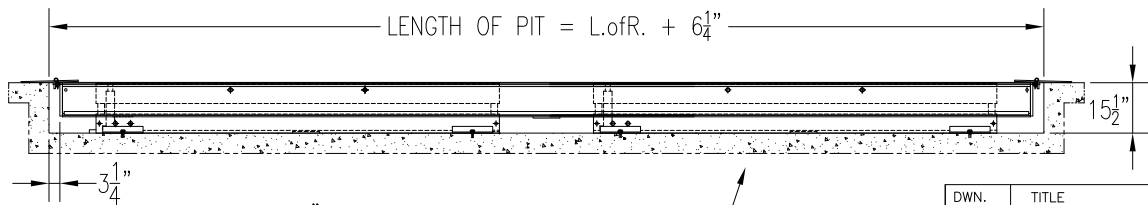
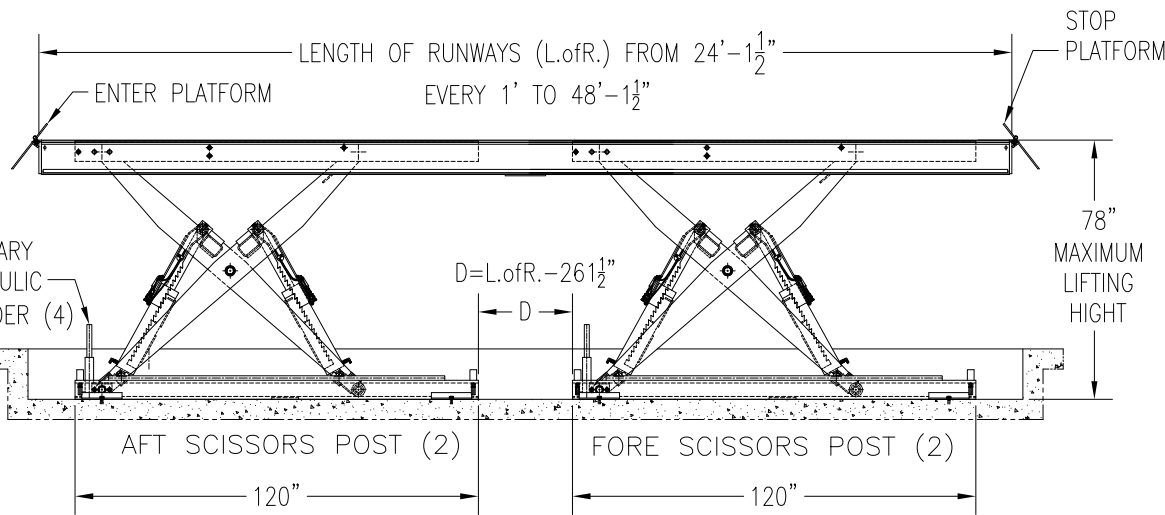
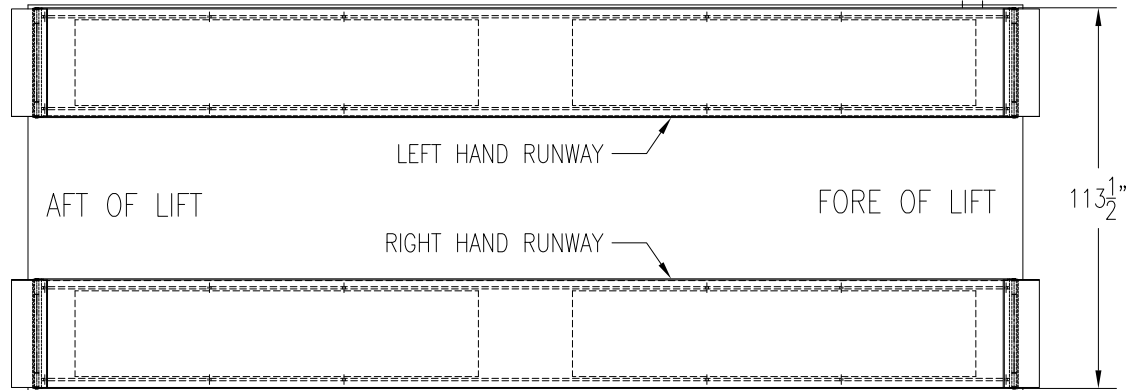
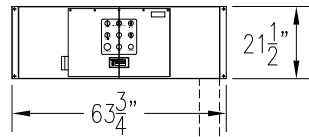
MODEL: PKSC55
CAPACITY: 55,000 LBS



NOTE: DRAWING NOT TO SCALE.

DWN. JK	TITLE SCISSORS LIFT MODEL: PKSC55
APPR. KK	P K S
	AUG.26/2013
	DWG PKSC55-FIG.01
	A

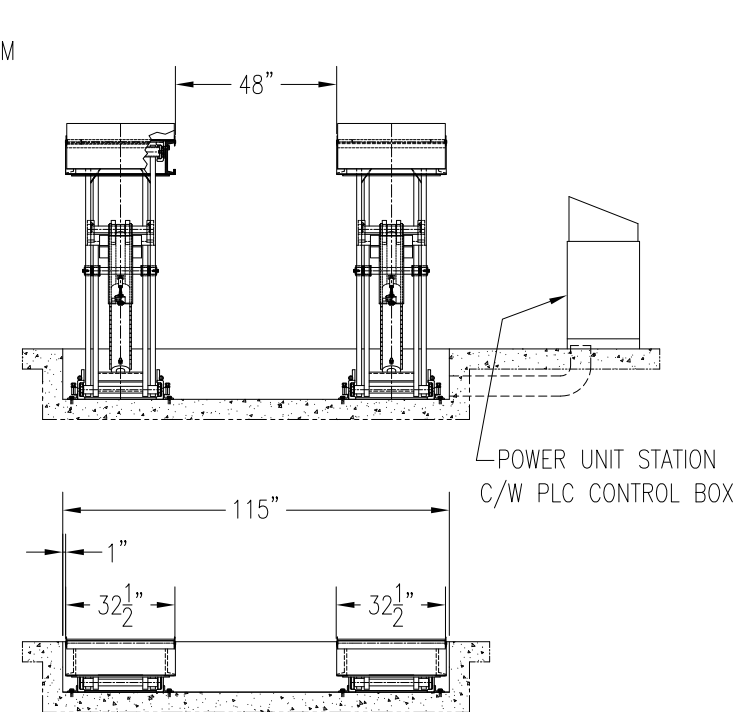
LOCATION OF POWER UNIT STATION
TO BE DETERMINE BY END USER



4,000 PSI 6" MIN. THICK REINFORCED CONCRETE

SPECIFICATION		
CAPACITY	55,000LBS	
FOUR SCISSORS POSTS C/W HYDRAULIC CYLINDERS		
SAFETY DEVICES ON EACH COLUMN (MECHANICAL/AIR)		
PLC BASED CONTROL SYSTEM		
4 POWER UNITS C/W EL. MOTORS	STANDARD	4 x 2HP, 3PH, 230/460V, 22/44A
	OPTIONAL	4 x 2HP, 3PH, 575V, 18A
SPEED OF RISE	72 SEC.	
OVERALL LIFTING HEIGHT	78"	
RETRACTED HEIGHT	15"	
OVERALL WIDTH	9'-5"	
RUNWAY WIDTH	32-1/2"	
RUNWAYS LENGTH:	FROM 24' EVERY 1' TO 48' LONG	

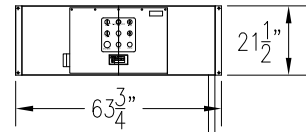
MODEL: PKSC55R
CAPACITY: 55,000 LBS



NOTE: DRAWING NOT TO SCALE.

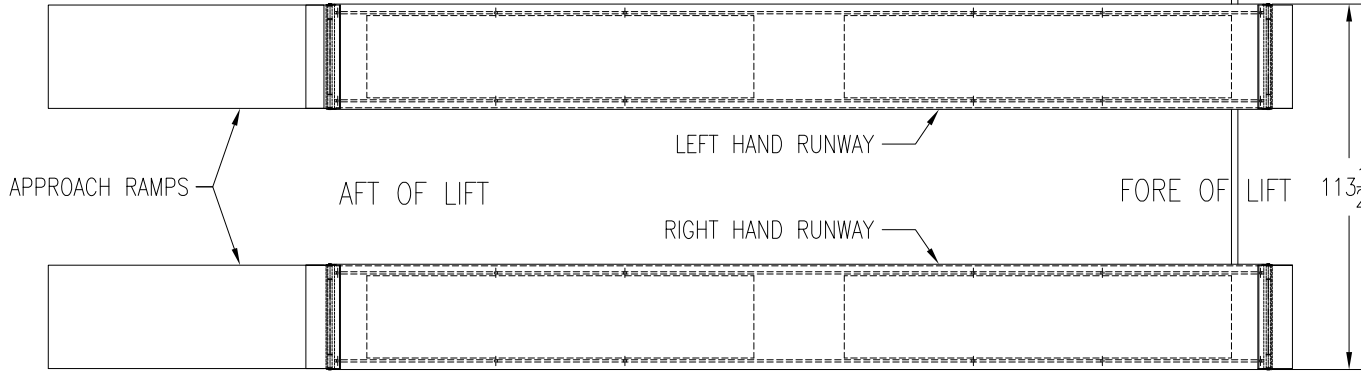
DWN. JK	TITLE SCISSORS LIFT MODEL: PKSC55R			
APPR. KK	P K S	AUG.26/2013	DWG PKSC55R-FIG.01	A

LOCATION OF POWER UNIT STATION
TO BE DETERMINE BY END USER

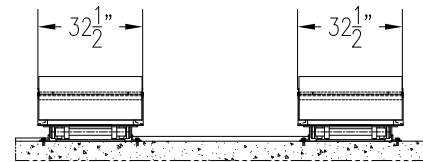
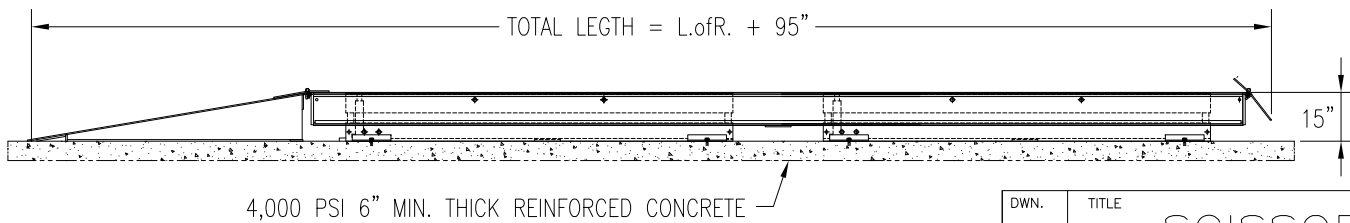
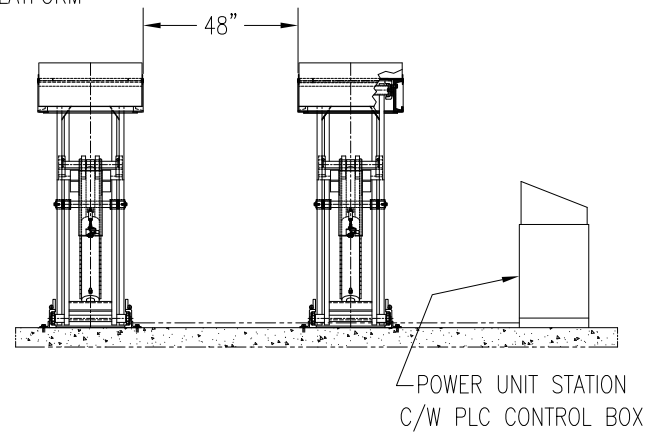
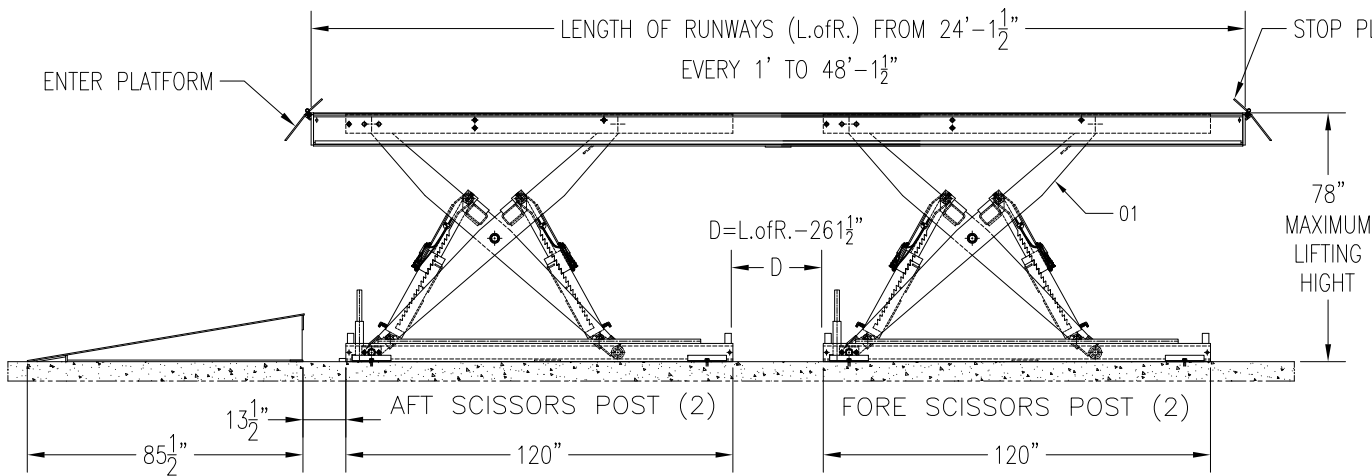


SPECIFICATION

CAPACITY	60,000LBS		
FOUR SCISSORS POSTS C/W HYDRAULIC CYLINDERS			
SAFETY DEVICES ON EACH COLUMN (MECHANICAL/AIR)			
PLC BASED CONTROL SYSTEM			
4 POWER UNITS C/W EL. MOTORS	STANDARD	4 x 2HP, 3PH, 230/460V, 22/44A	
	OPTIONAL	4 x 2HP, 3PH, 575V, 18A	
SPEED OF RISE	72 SEC.		
OVERALL LIFTING HEIGHT	78"		
RETRACTED HEIGHT	15"		
OVERALL WIDTH	9'-5"		
RUNWAY WIDTH	32-1/2"		
RUNWAYS LENGTH:	FROM 24' EVERY 1' TO 48' LONG		



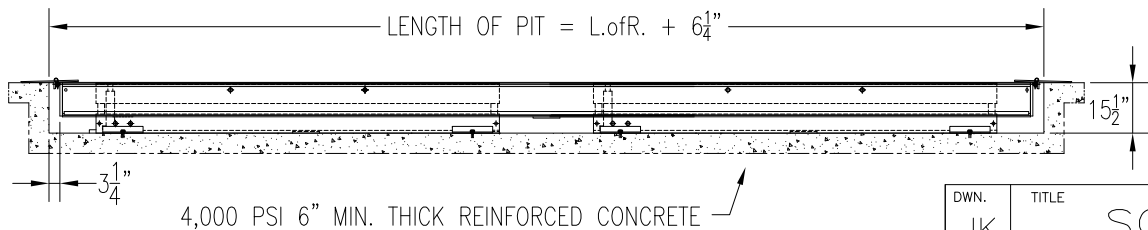
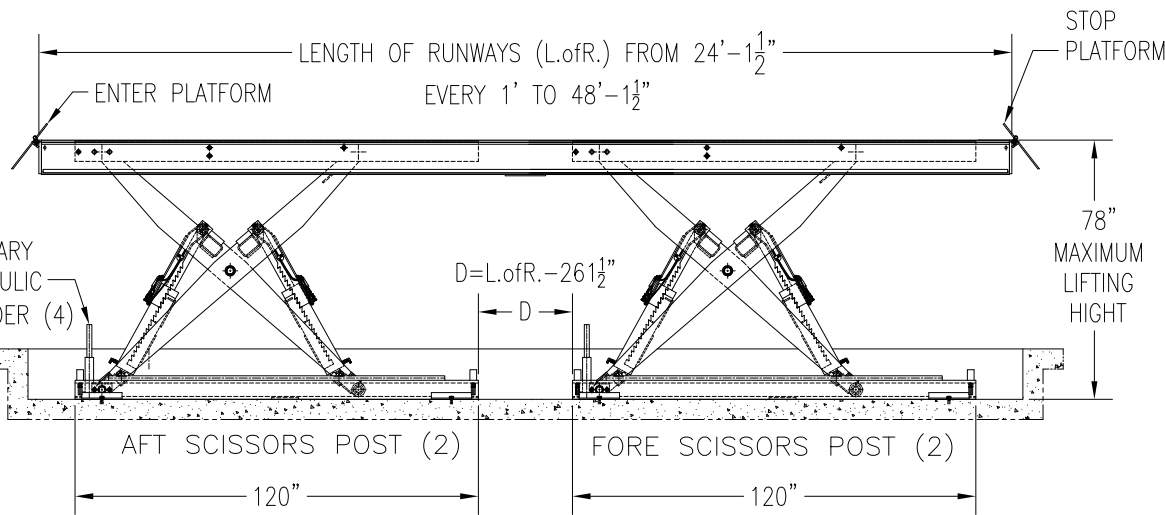
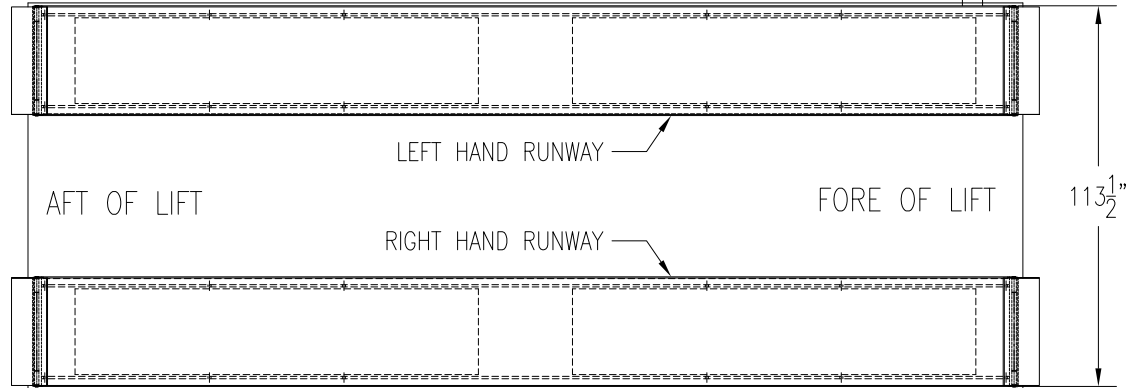
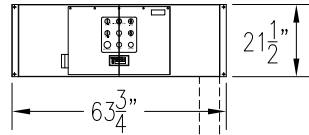
MODEL: PKSC60
CAPACITY: 60,000 LBS



NOTE: DRAWING NOT TO SCALE.

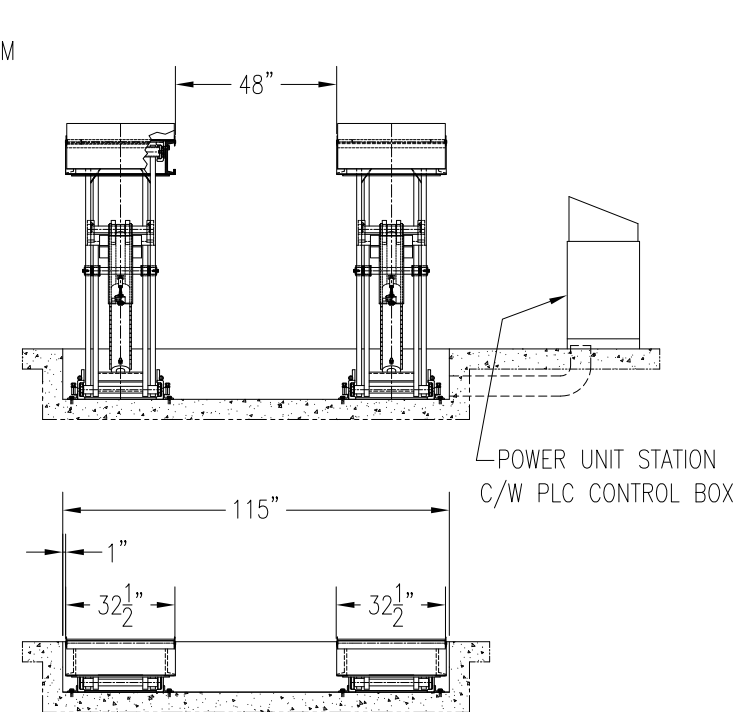
DWN. JK	TITLE SCISSORS LIFT MODEL: PKSC60			
APPR. KK	P K S	AUG.26/2013	DWG PKSC60-FIG.01	A

LOCATION OF POWER UNIT STATION
TO BE DETERMINE BY END USER



SPECIFICATION		
CAPACITY	60,000LBS	
FOUR SCISSORS POSTS C/W HYDRAULIC CYLINDERS		
SAFETY DEVICES ON EACH COLUMN (MECHANICAL/AIR)		
PLC BASED CONTROL SYSTEM		
4 POWER UNITS C/W EL. MOTORS	STANDARD	4 x 2HP, 3PH, 230/460V, 22/44A
	OPTIONAL	4 x 2HP, 3PH, 575V, 18A
SPEED OF RISE	72 SEC.	
OVERALL LIFTING HEIGHT	78"	
RETRACTED HEIGHT	15"	
OVERALL WIDTH	9'-5"	
RUNWAY WIDTH	32-1/2"	
RUNWAYS LENGTH:	FROM 24' EVERY 1' TO 48' LONG	

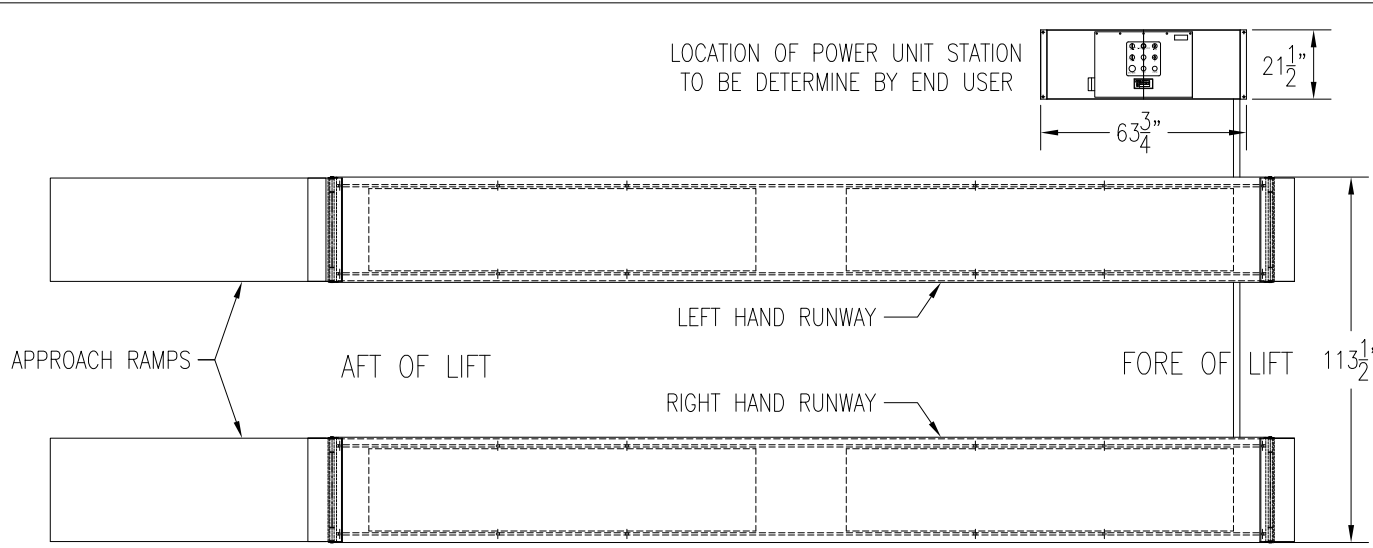
MODEL: PKSC60R
CAPACITY: 60,000 LBS



4,000 PSI 6" MIN. THICK REINFORCED CONCRETE

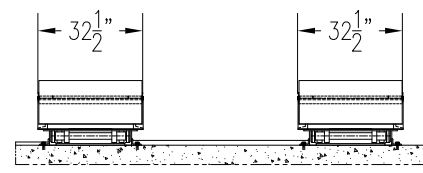
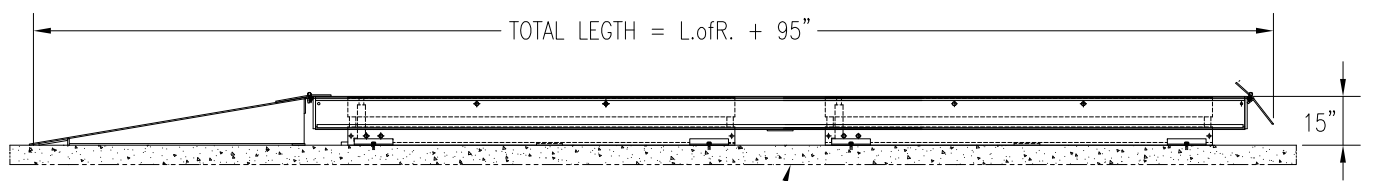
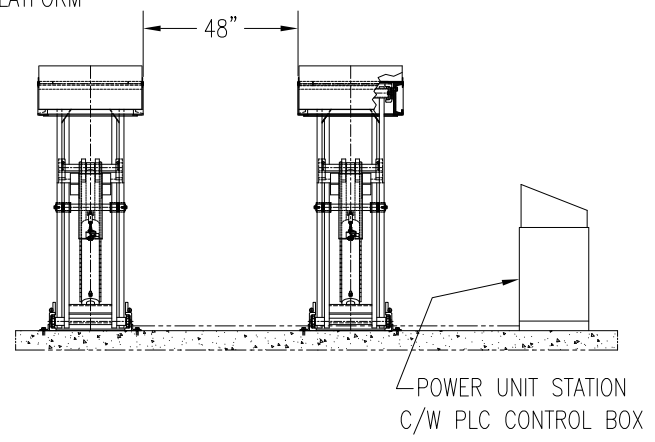
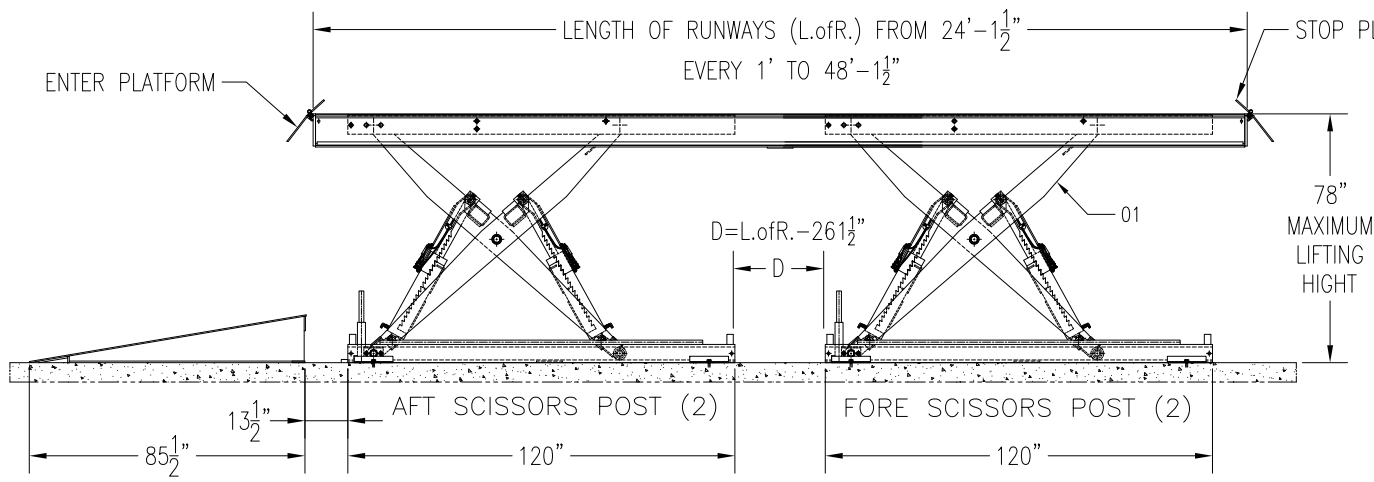
NOTE: DRAWING NOT TO SCALE.

DWN. JK	TITLE SCISSORS LIFT MODEL: PKSC60R		
APPR. KK	P K S	AUG.26/2013	DWG PKSC60R-FIG.01 A



SPECIFICATION	
CAPACITY	65,000LBS
FOUR SCISSORS POSTS C/W HYDRAULIC CYLINDERS	
SAFETY DEVICES ON EACH COLUMN (MECHANICAL/AIR)	
PLC BASED CONTROL SYSTEM	
4 POWER UNITS C/W EL. MOTORS	STANDARD 4 x 2HP, 3PH, 230/460V, 22/44A OPTIONAL 4 x 2HP, 3PH, 575V, 18A
SPEED OF RISE	72 SEC.
OVERALL LIFTING HEIGHT	78"
RETRACTED HEIGHT	15"
OVERALL WIDTH	9'-5"
RUNWAY WIDTH	32-1/2"
RUNWAYS LENGTH: FROM 24' EVERY 1' TO 48' LONG	

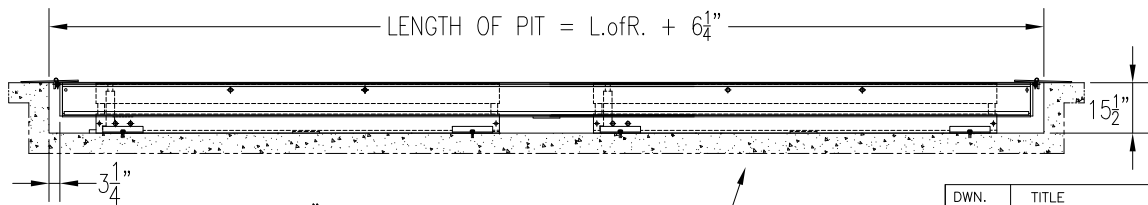
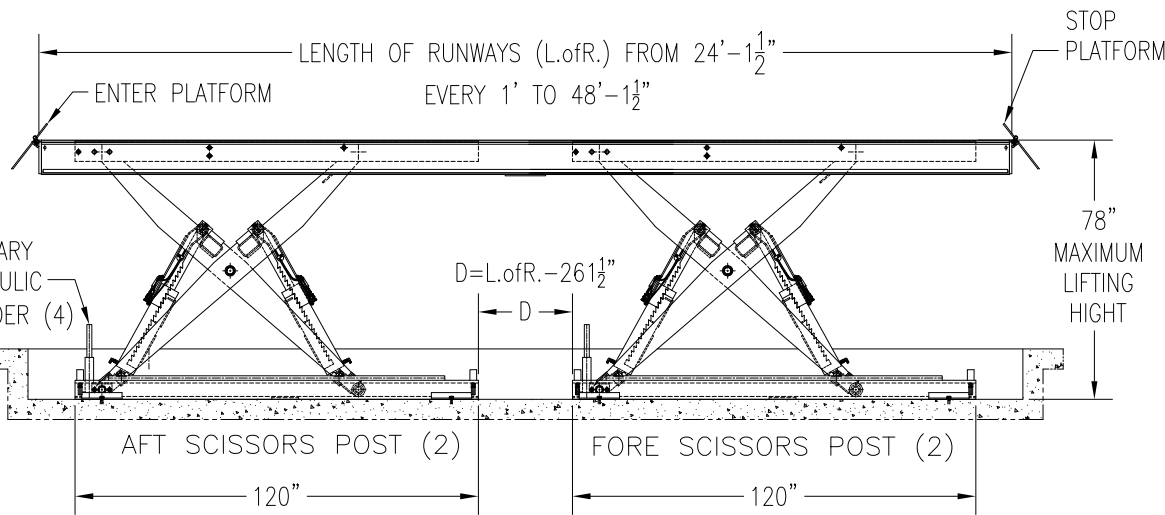
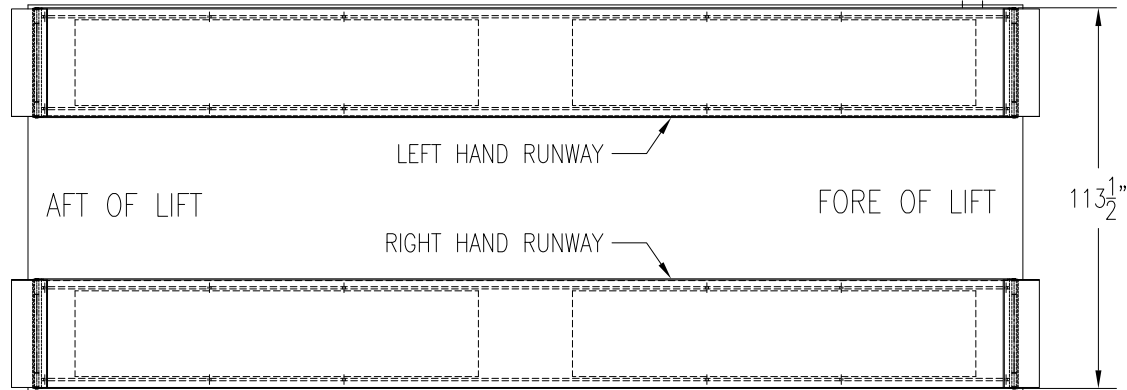
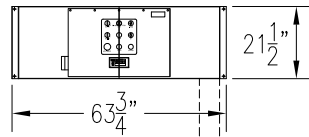
MODEL: PKSC65
CAPACITY: 65,000 LBS



NOTE: DRAWING NOT TO SCALE.

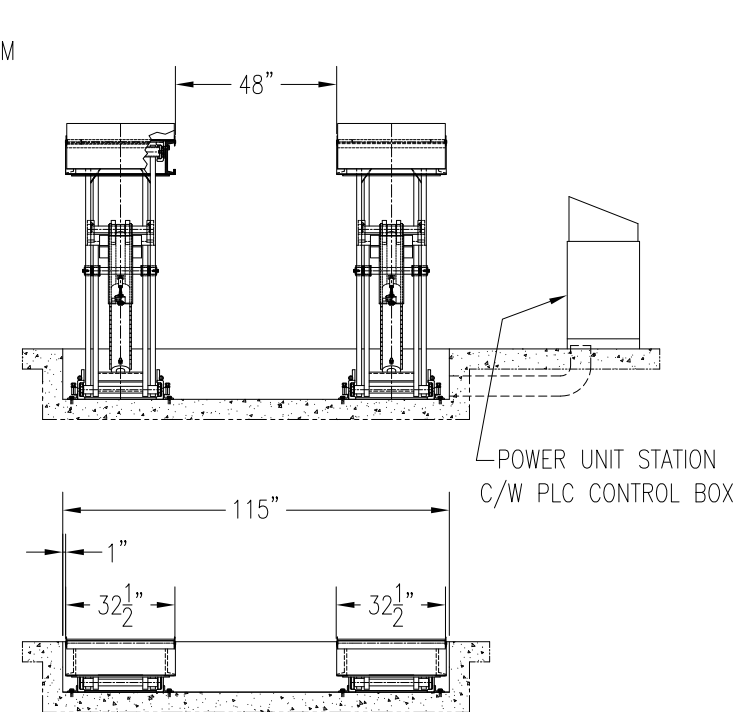
DWN. JK	TITLE SCISSORS LIFT MODEL: PKSC65
APPR. KK	P K S
	AUG.26/2013
	DWG PKSC65-FIG.01
	A

LOCATION OF POWER UNIT STATION
TO BE DETERMINE BY END USER



SPECIFICATION		
CAPACITY	65,000LBS	
FOUR SCISSORS POSTS C/W HYDRAULIC CYLINDERS		
SAFETY DEVICES ON EACH COLUMN (MECHANICAL/AIR)		
PLC BASED CONTROL SYSTEM		
4 POWER UNITS C/W EL. MOTORS	STANDARD	4 x 2HP, 3PH, 230/460V, 22/44A
	OPTIONAL	4 x 2HP, 3PH, 575V, 18A
SPEED OF RISE	72 SEC.	
OVERALL LIFTING HEIGHT	78"	
RETRACTED HEIGHT	15"	
OVERALL WIDTH	9'-5"	
RUNWAY WIDTH	32-1/2"	
RUNWAYS LENGTH:	FROM 24' EVERY 1' TO 48' LONG	

MODEL: PKSC65R
CAPACITY: 65,000 LBS

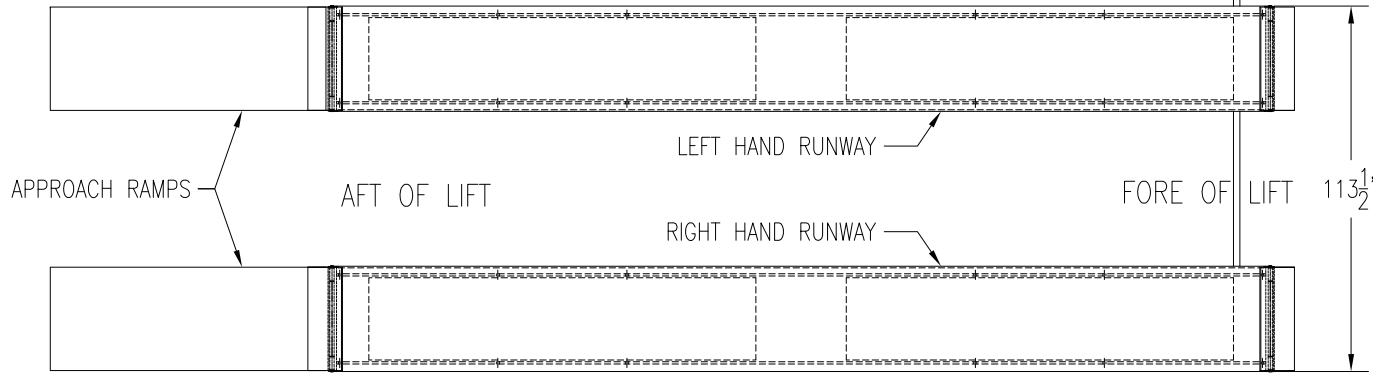
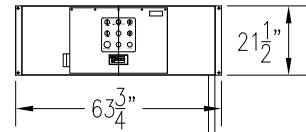


4,000 PSI 6" MIN. THICK REINFORCED CONCRETE

NOTE: DRAWING NOT TO SCALE.

DWN.	TITLE			
JK	SCISSORS LIFT MODEL: PKSC65R			
APPR.	P K S	AUG.26/2013	DWG	PKSC65R-FIG.01
KK				A

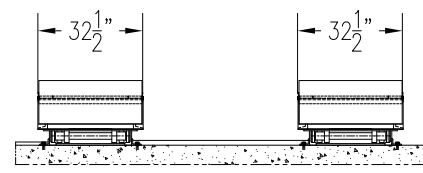
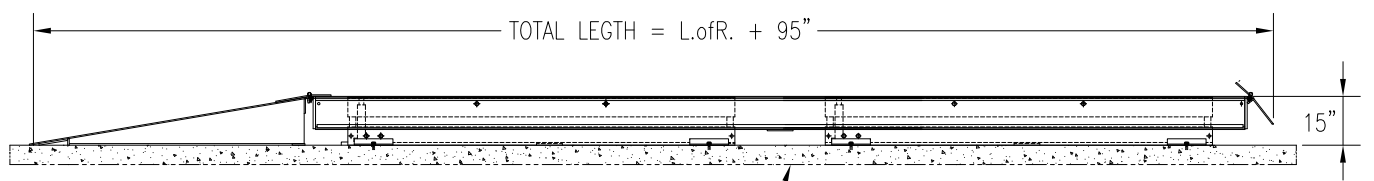
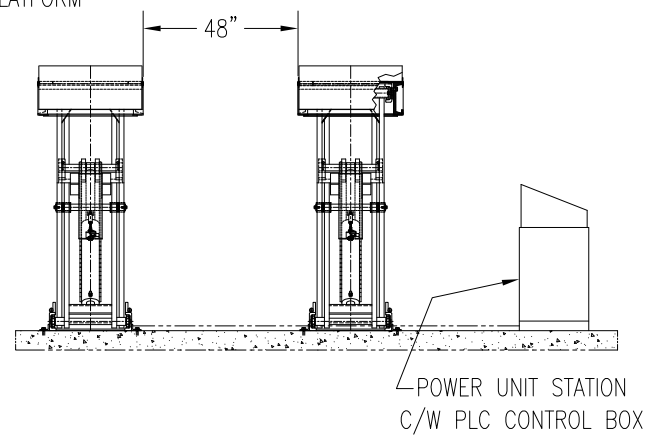
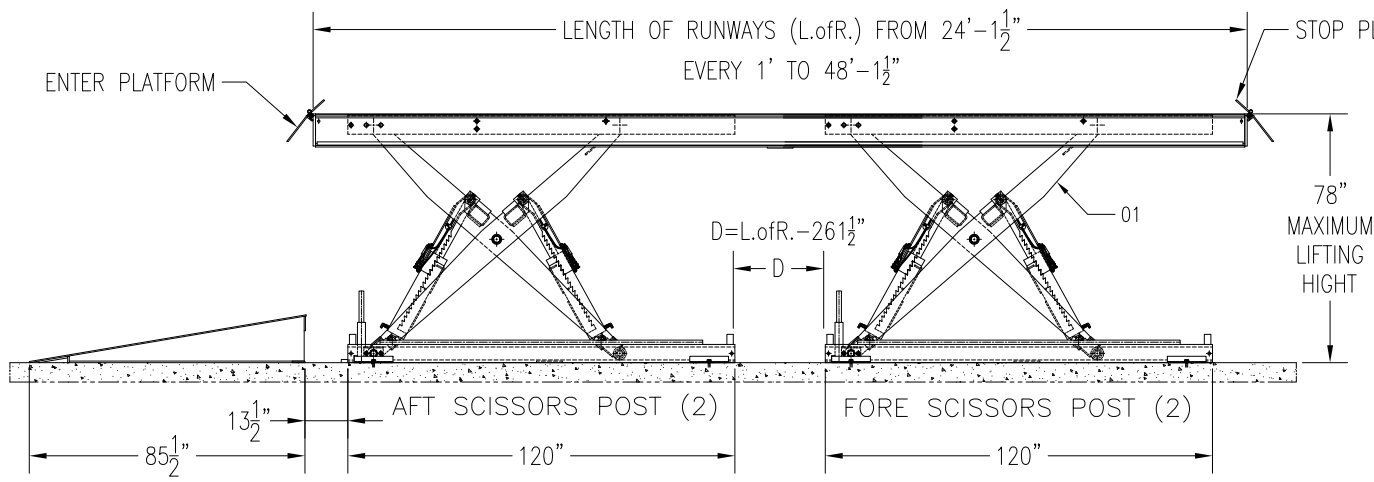
LOCATION OF POWER UNIT STATION
TO BE DETERMINE BY END USER



SPECIFICATION

CAPACITY	70,000LBS		
FOUR SCISSORS POSTS C/W HYDRAULIC CYLINDERS			
SAFETY DEVICES ON EACH COLUMN (MECHANICAL/AIR)			
PLC BASED CONTROL SYSTEM			
4 POWER UNITS C/W EL. MOTORS	STANDARD	4 x 2HP, 3PH, 230/460V, 22/44A	
	OPTIONAL	4 x 2HP, 3PH, 575V, 18A	
SPEED OF RISE	72 SEC.		
OVERALL LIFTING HEIGHT	78"		
RETRACTED HEIGHT	15"		
OVERALL WIDTH	9'-5"		
RUNWAY WIDTH	32-1/2"		
RUNWAYS LENGTH:	FROM 24' EVERY 1' TO 48' LONG		

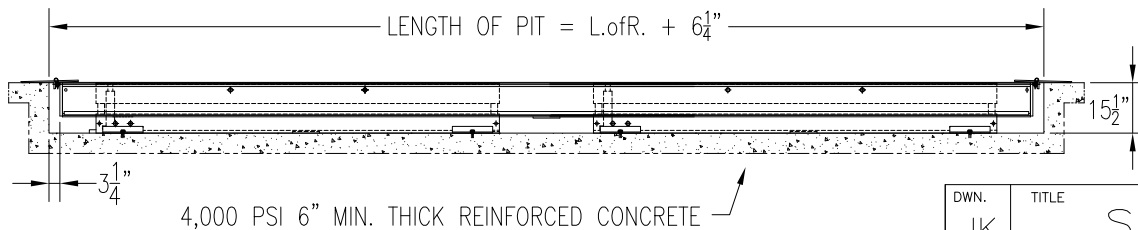
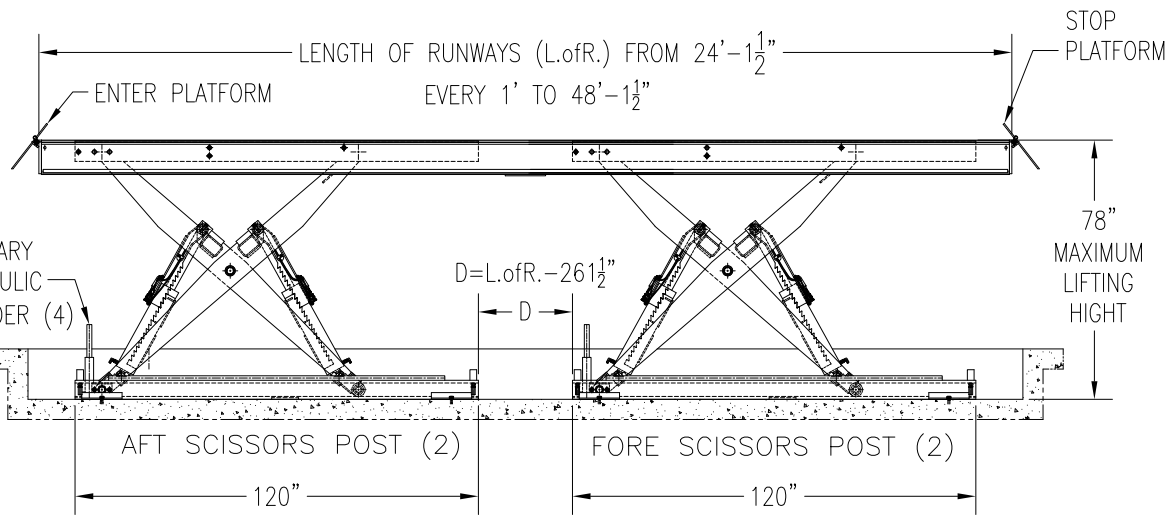
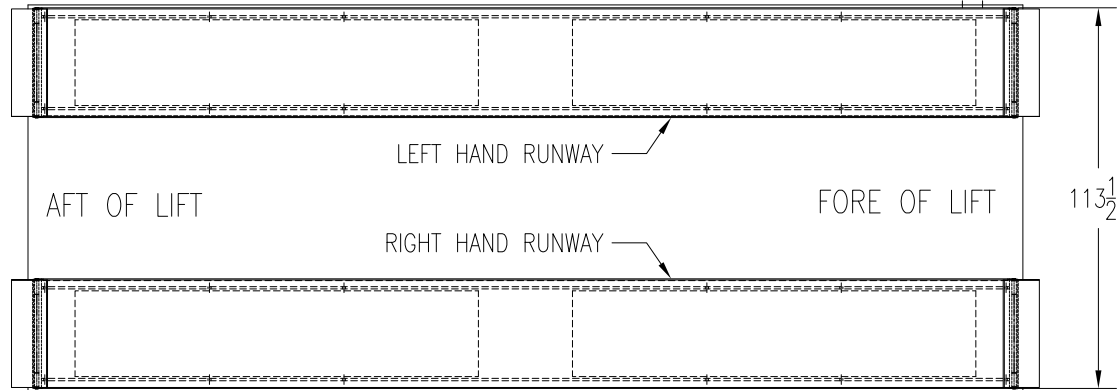
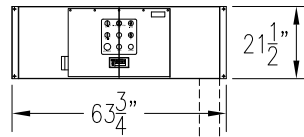
MODEL: PKSC70
CAPACITY: 70,000 LBS



NOTE: DRAWING NOT TO SCALE.

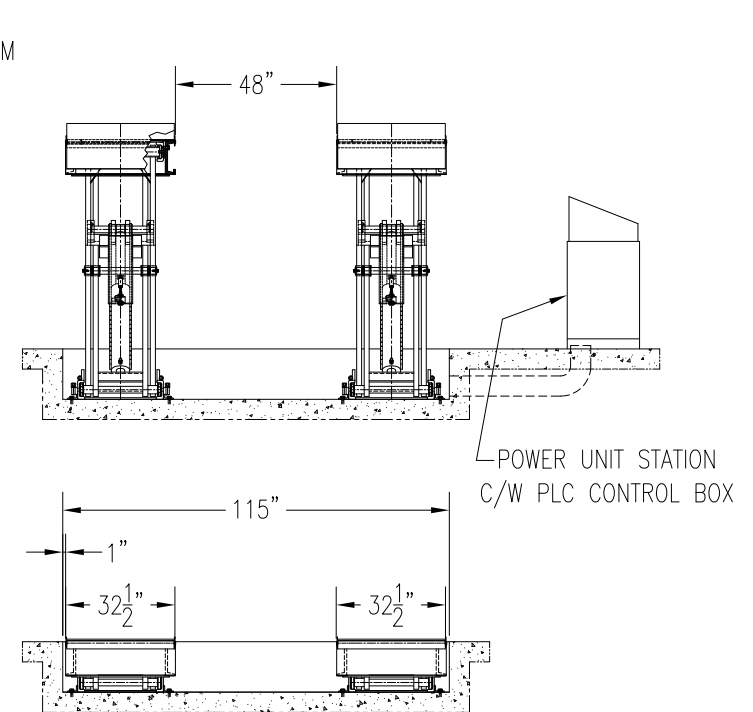
DWN. JK	TITLE SCISSORS LIFT MODEL: PKSC70			
APPR. KK	P K S	AUG.26/2013	DWG PKSC70-FIG.01	A

LOCATION OF POWER UNIT STATION
TO BE DETERMINE BY END USER



SPECIFICATION		
CAPACITY	70,000LBS	
FOUR SCISSORS POSTS C/W HYDRAULIC CYLINDERS		
SAFETY DEVICES ON EACH COLUMN (MECHANICAL/AIR)		
PLC BASED CONTROL SYSTEM		
4 POWER UNITS C/W EL. MOTORS	STANDARD	4 x 2HP, 3PH, 230/460V, 22/44A
	OPTIONAL	4 x 2HP, 3PH, 575V, 18A
SPEED OF RISE	72 SEC.	
OVERALL LIFTING HEIGHT	78"	
RETRACTED HEIGHT	15"	
OVERALL WIDTH	9'-5"	
RUNWAY WIDTH	32-1/2"	
RUNWAYS LENGTH:	FROM 24' EVERY 1' TO 48' LONG	

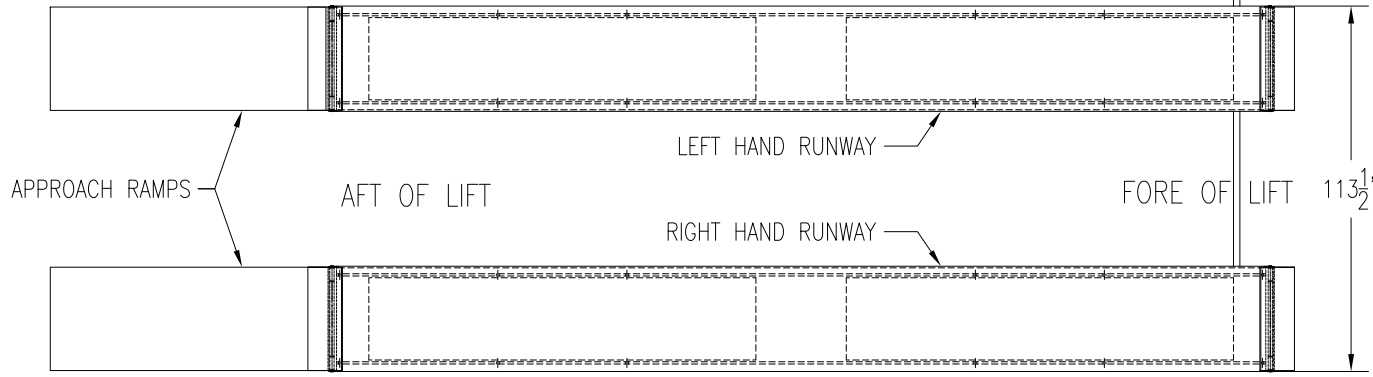
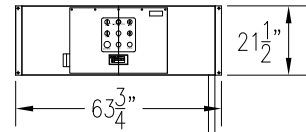
MODEL: PKSC70R
CAPACITY: 70,000 LBS



NOTE: DRAWING NOT TO SCALE.

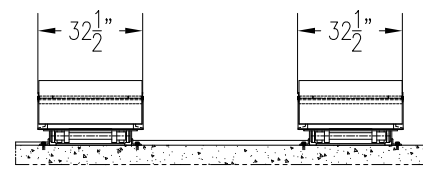
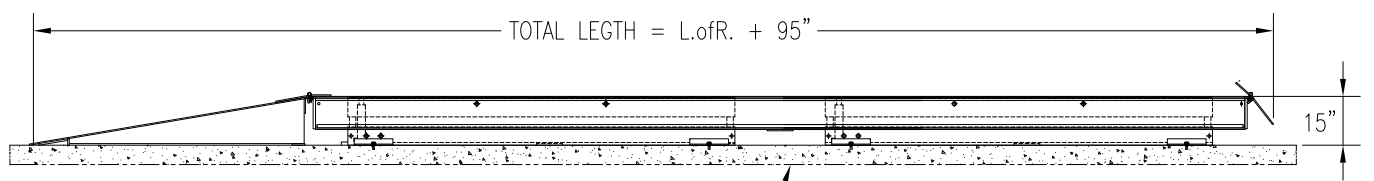
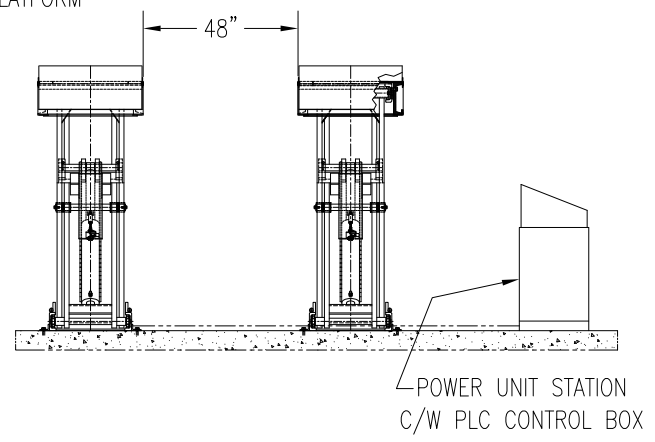
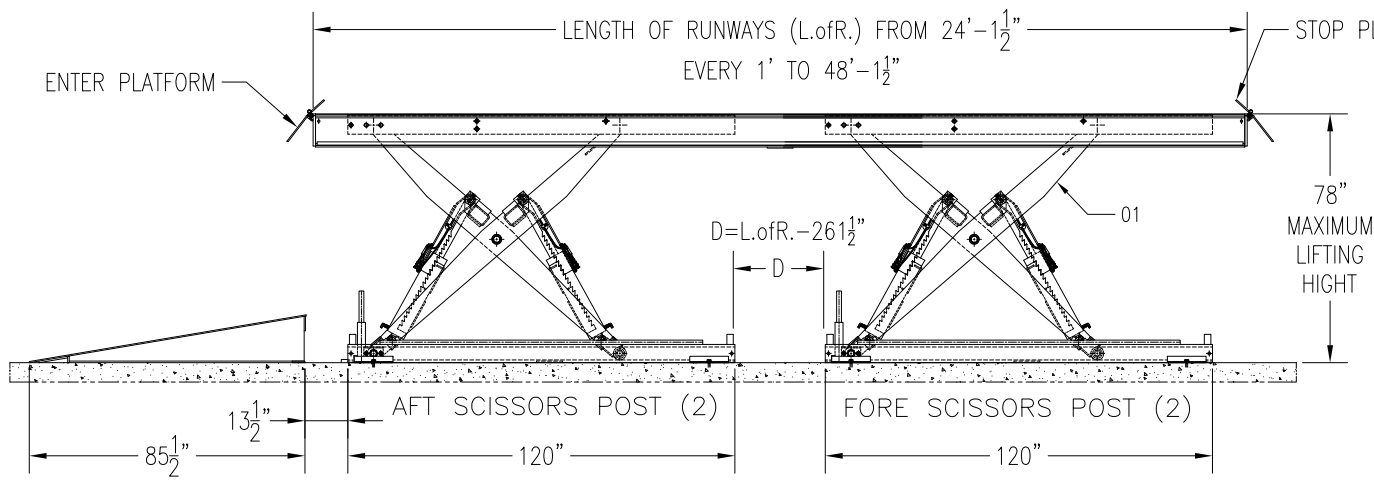
DWN. JK	TITLE SCISSORS LIFT MODEL: PKSC70R		
APPR. KK	P K S	AUG.26/2013	DWG PKSC70R-FIG.01 A

LOCATION OF POWER UNIT STATION
TO BE DETERMINE BY END USER



SPECIFICATION	
CAPACITY	75,000LBS
FOUR SCISSORS POSTS C/W HYDRAULIC CYLINDERS	
SAFETY DEVICES ON EACH COLUMN (MECHANICAL/AIR)	
PLC BASED CONTROL SYSTEM	
4 POWER UNITS C/W EL. MOTORS	STANDARD 4 x 2HP, 3PH, 230/460V, 22/44A OPTIONAL 4 x 2HP, 3PH, 575V, 18A
SPEED OF RISE	72 SEC.
OVERALL LIFTING HEIGHT	78"
RETRACTED HEIGHT	15"
OVERALL WIDTH	9'-5"
RUNWAY WIDTH	32-1/2"
RUNWAYS LENGTH: FROM 24' EVERY 1' TO 48' LONG	

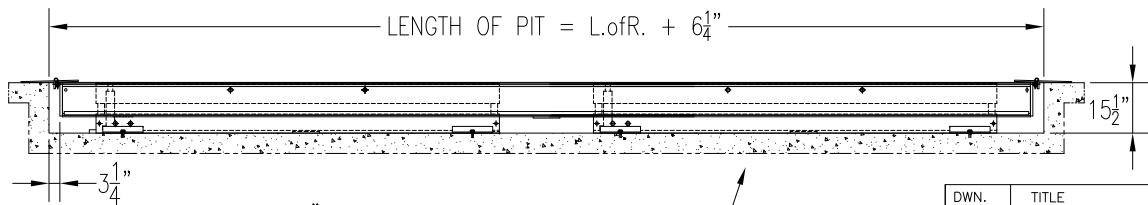
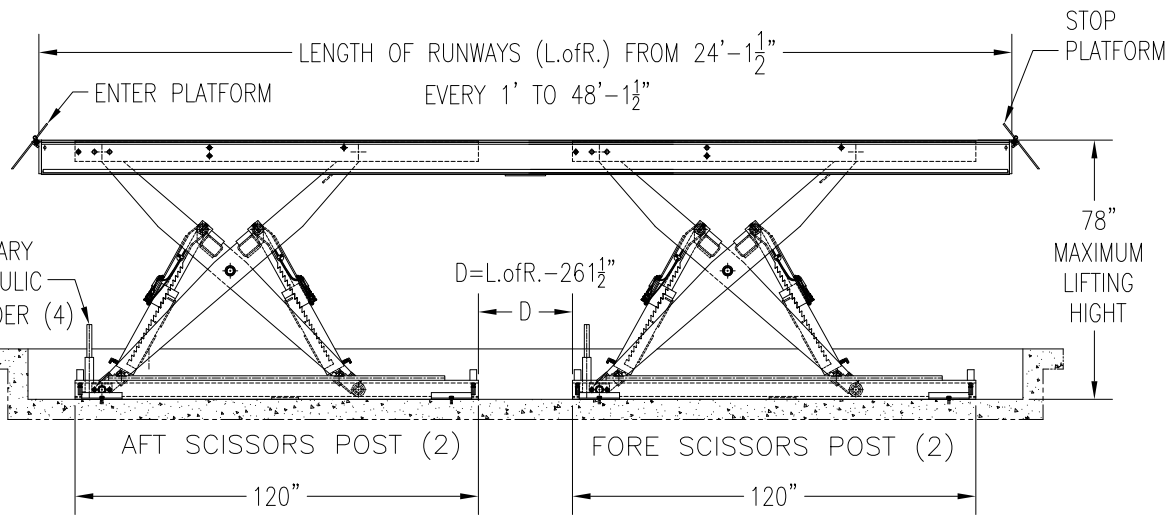
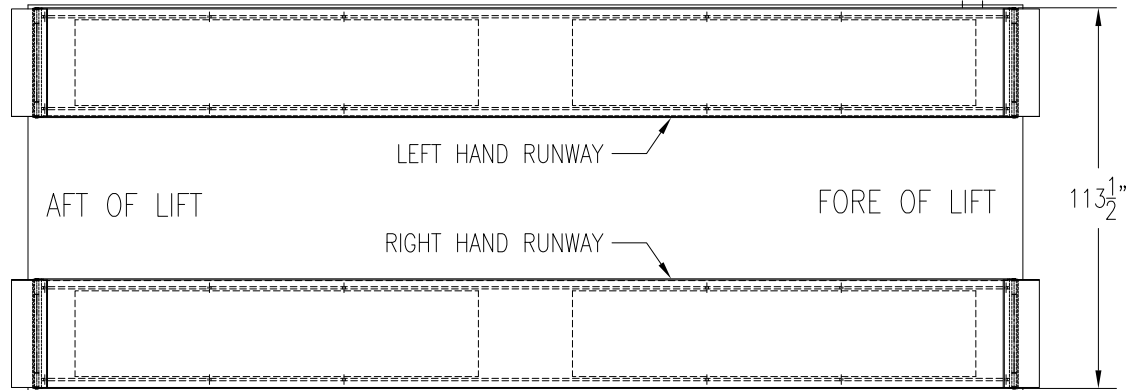
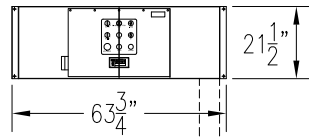
MODEL: PKSC75
CAPACITY: 75,000 LBS



NOTE: DRAWING NOT TO SCALE.

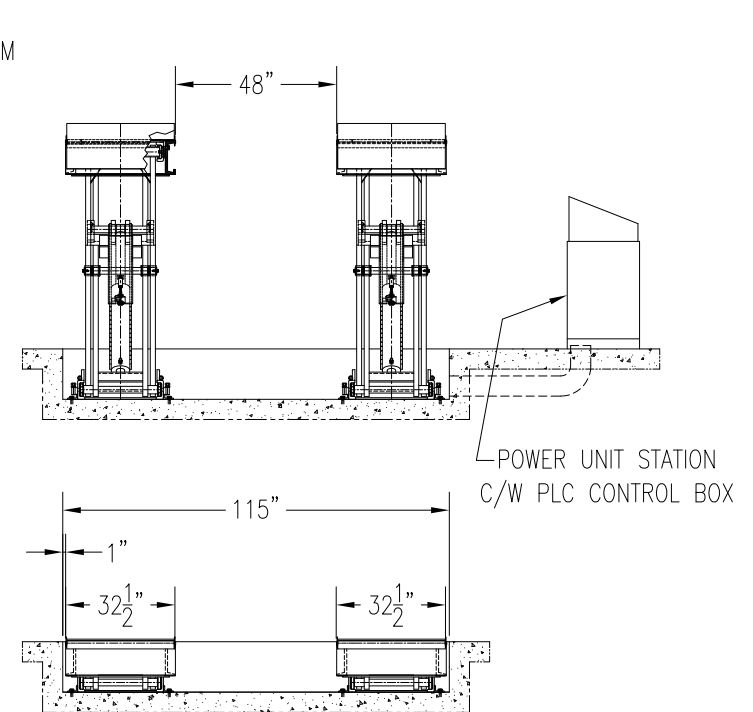
DWN. JK	TITLE SCISSORS LIFT MODEL: PKSC75
APPR. KK	P K S
	AUG.26/2013
	DWG PKSC75-FIG.01
	A

LOCATION OF POWER UNIT STATION
TO BE DETERMINE BY END USER



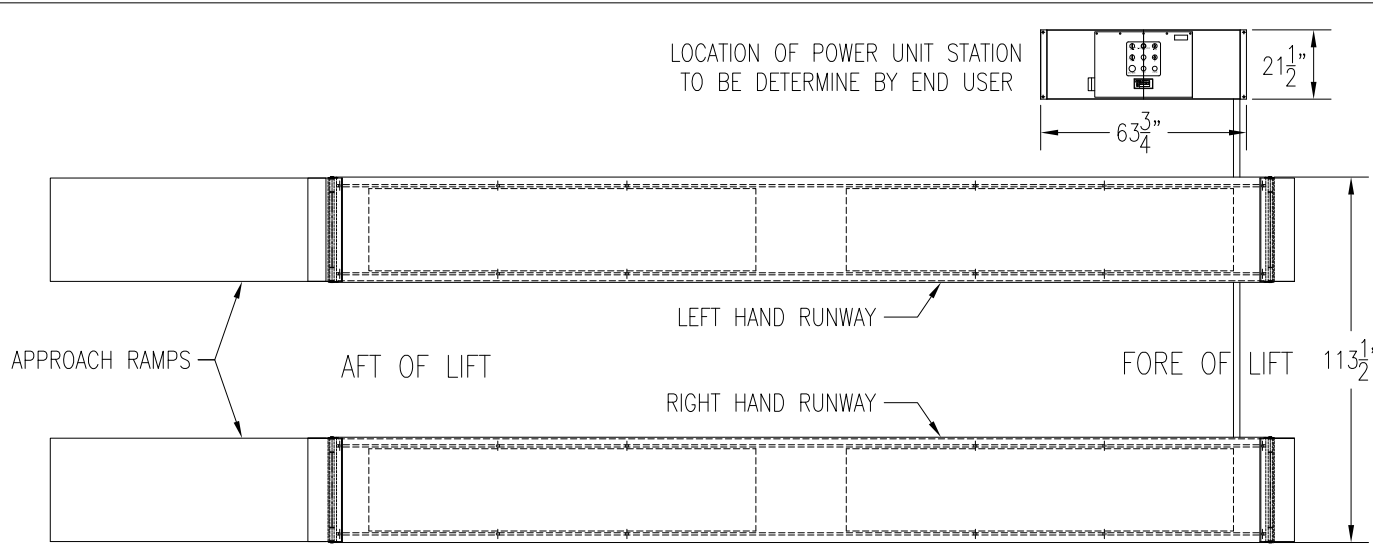
SPECIFICATION		
CAPACITY	75,000LBS	
FOUR SCISSORS POSTS C/W HYDRAULIC CYLINDERS		
SAFETY DEVICES ON EACH COLUMN (MECHANICAL/AIR)		
PLC BASED CONTROL SYSTEM		
4 POWER UNITS C/W EL. MOTORS	STANDARD	4 x 2HP, 3PH, 230/460V, 22/44A
	OPTIONAL	4 x 2HP, 3PH, 575V, 18A
SPEED OF RISE	72 SEC.	
OVERALL LIFTING HEIGHT	78"	
RETRACTED HEIGHT	15"	
OVERALL WIDTH	9'-5"	
RUNWAY WIDTH	32-1/2"	
RUNWAYS LENGTH:	FROM 24' EVERY 1' TO 48' LONG	

MODEL: PKSC75R
CAPACITY: 75,000 LBS



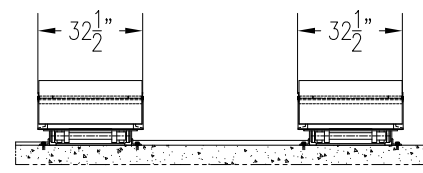
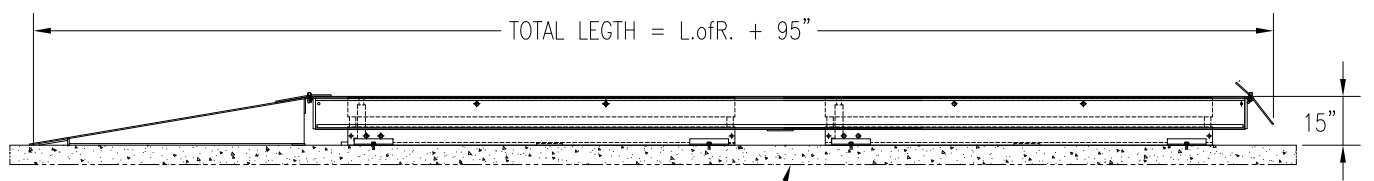
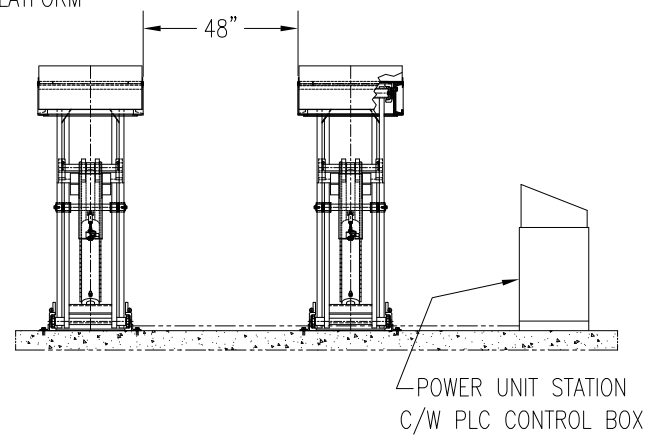
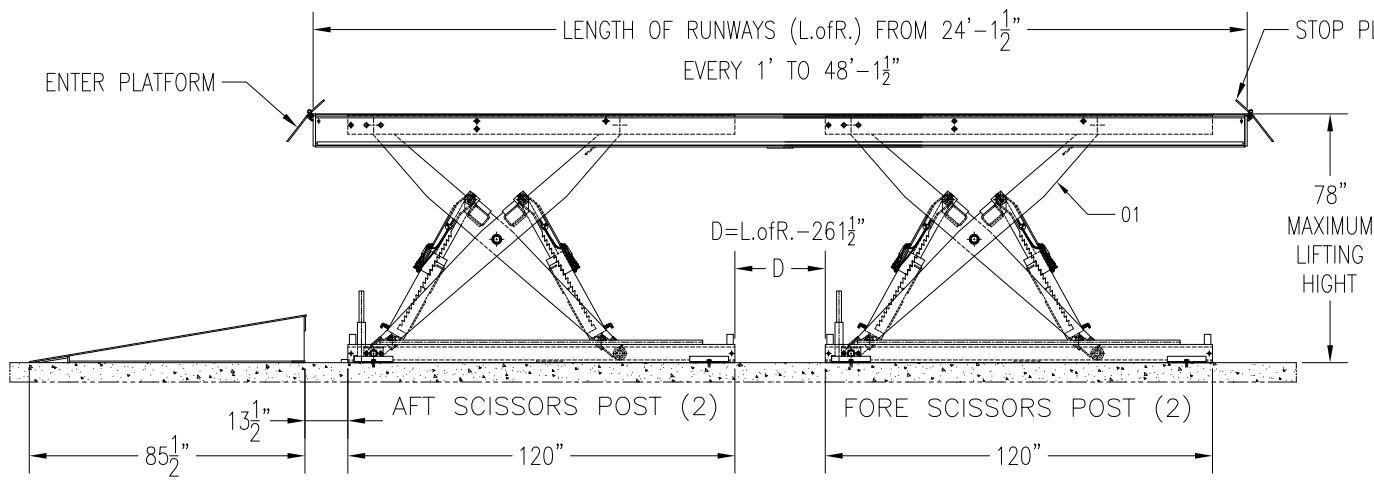
NOTE: DRAWING NOT TO SCALE.

DWN. JK	TITLE SCISSORS LIFT MODEL: PKSC75R
APPR. KK	P K S
	AUG.26/2013
	DWG PKSC75R-FIG.01
	A



SPECIFICATION	
CAPACITY	80,000LBS
FOUR SCISSORS POSTS C/W HYDRAULIC CYLINDERS	
SAFETY DEVICES ON EACH COLUMN (MECHANICAL/AIR)	
PLC BASED CONTROL SYSTEM	
4 POWER UNITS C/W EL. MOTORS	STANDARD 4 x 2HP, 3PH, 230/460V, 22/44A OPTIONAL 4 x 2HP, 3PH, 575V, 18A
SPEED OF RISE	72 SEC.
OVERALL LIFTING HEIGHT	78"
RETRACTED HEIGHT	15"
OVERALL WIDTH	9'-5"
RUNWAY WIDTH	32-1/2"
RUNWAYS LENGTH: FROM 24' EVERY 1' TO 48' LONG	

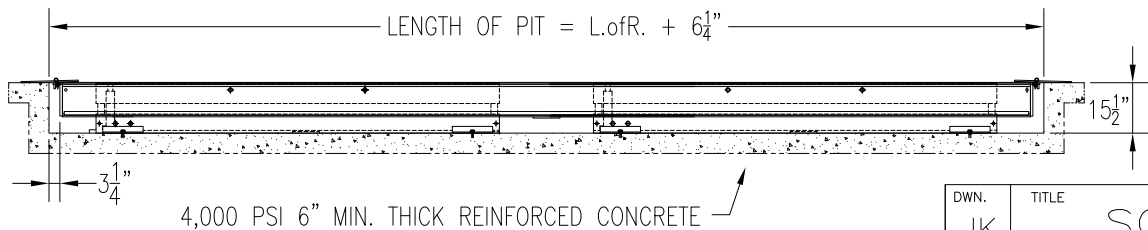
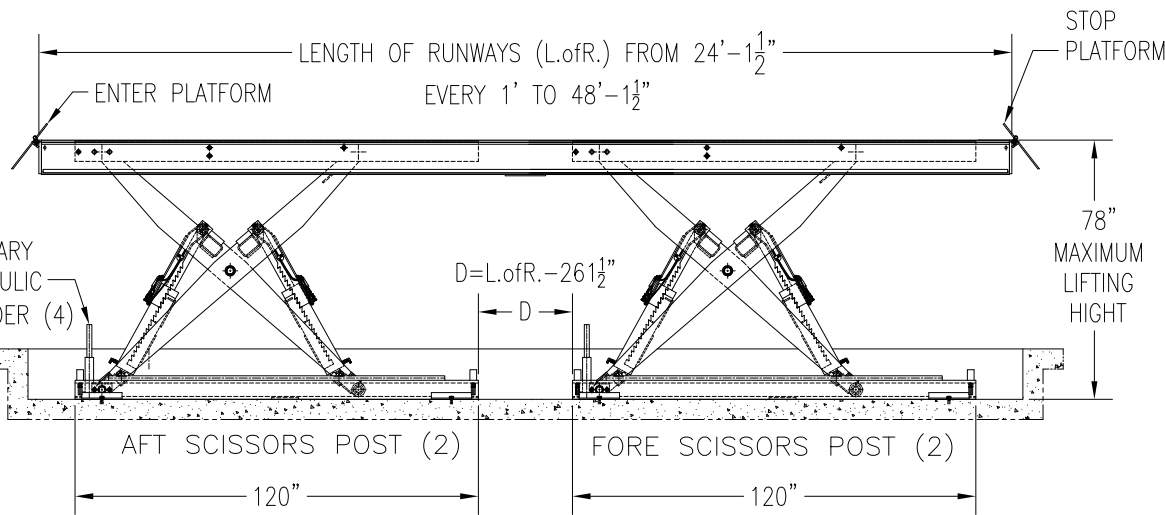
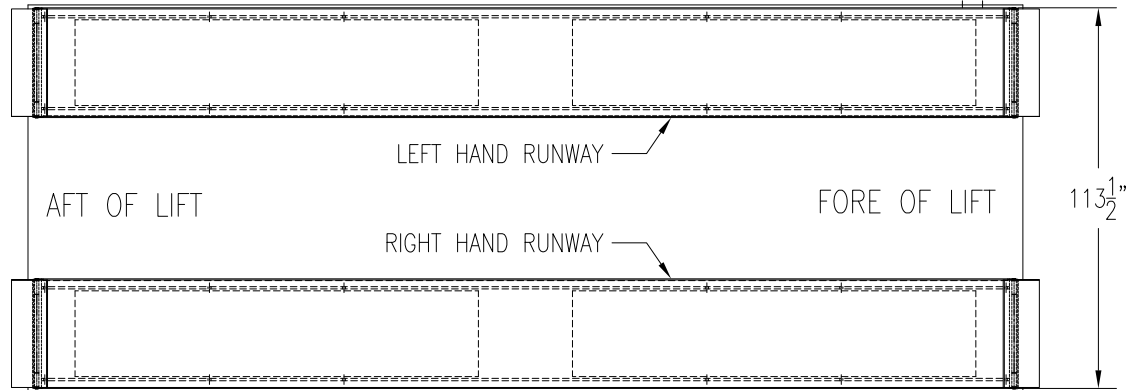
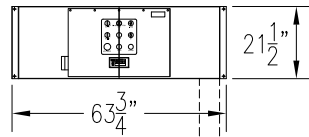
MODEL: PKSC80
CAPACITY: 80,000 LBS



NOTE: DRAWING NOT TO SCALE.

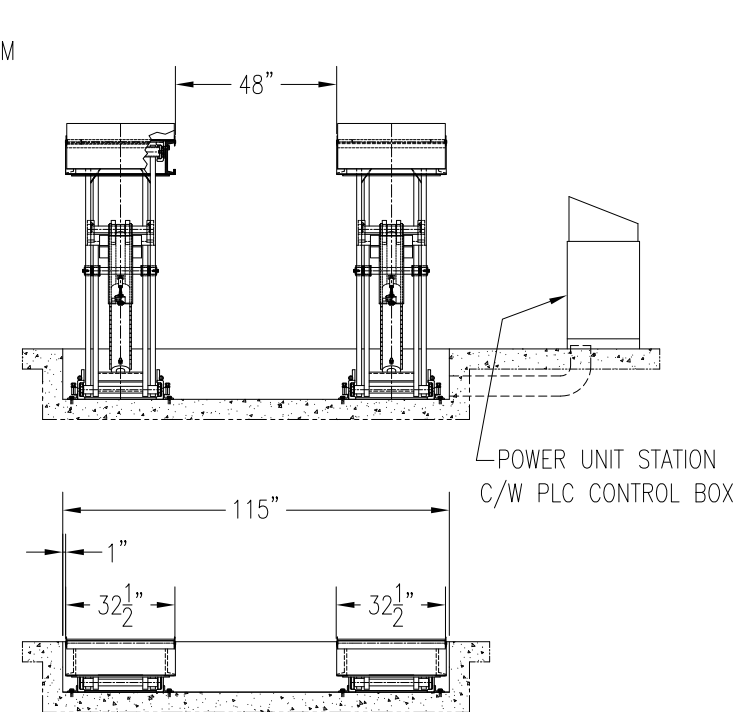
DWN. JK	TITLE SCISSORS LIFT MODEL: PKSC80
APPR. KK	P K S
	AUG.26/2013
	DWG PKSC80-FIG.01
	A

LOCATION OF POWER UNIT STATION
TO BE DETERMINE BY END USER



SPECIFICATION		
CAPACITY	80,000LBS	
FOUR SCISSORS POSTS C/W HYDRAULIC CYLINDERS		
SAFETY DEVICES ON EACH COLUMN (MECHANICAL/AIR)		
PLC BASED CONTROL SYSTEM		
4 POWER UNITS C/W EL. MOTORS	STANDARD	4 x 2HP, 3PH, 230/460V, 22/44A
	OPTIONAL	4 x 2HP, 3PH, 575V, 18A
SPEED OF RISE	72 SEC.	
OVERALL LIFTING HEIGHT	78"	
RETRACTED HEIGHT	15"	
OVERALL WIDTH	9'-5"	
RUNWAY WIDTH	32-1/2"	
RUNWAYS LENGTH:	FROM 24' EVERY 1' TO 48' LONG	

MODEL: PKSC80R
CAPACITY: 80,000 LBS



NOTE: DRAWING NOT TO SCALE.

DWN. JK	TITLE SCISSORS LIFT MODEL: PKSC80R
APPR. KK	P K S
	AUG.26/2013
	DWG PKSC80R-FIG.01
	A