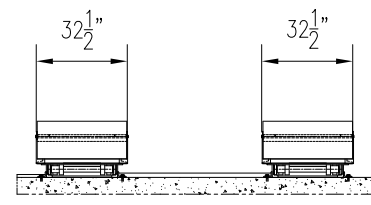
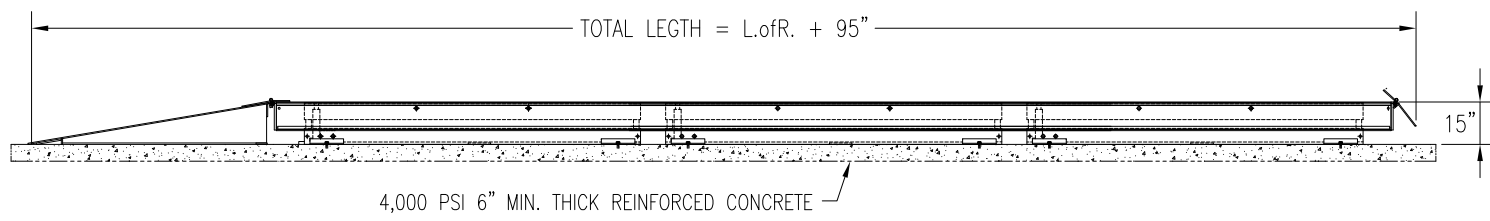
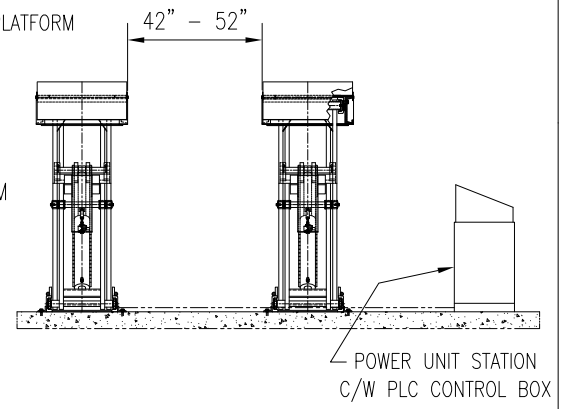
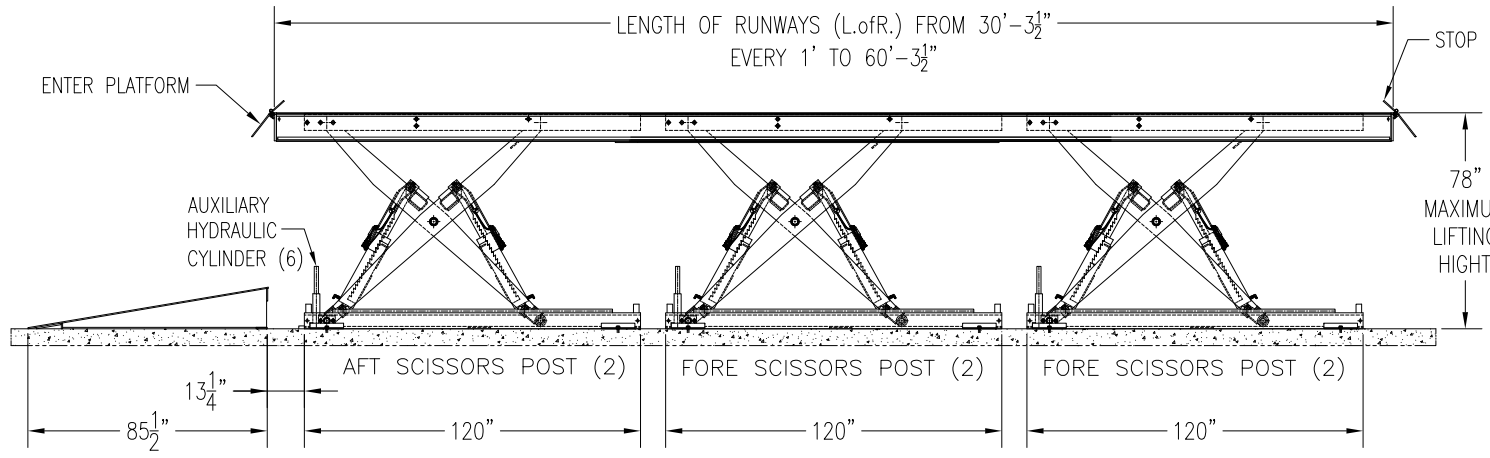
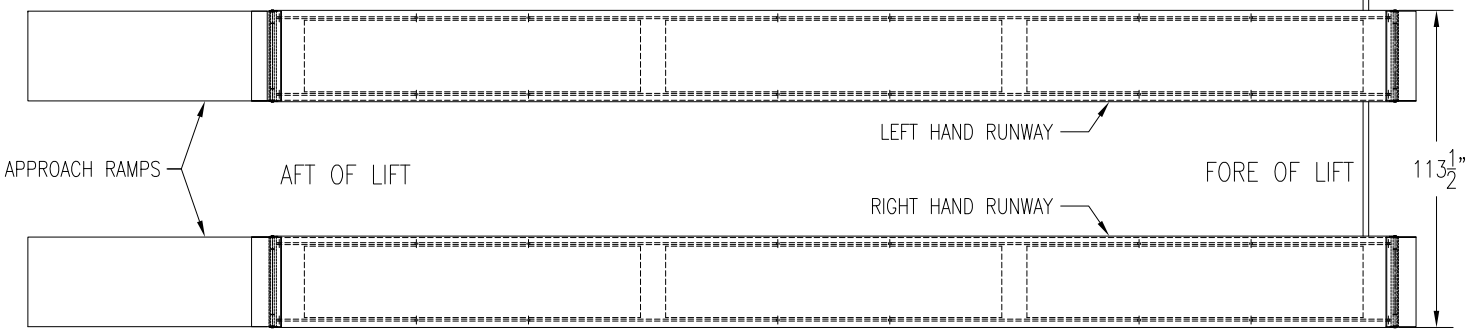
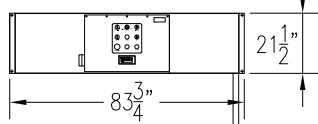


MODEL: PKSC6.80
CAPACITY: 80,000 LBS

SPECIFICATION

CAPACITY	80,000LBS	
SIX SCISSORS POSTS C/W HYDRAULIC CYLINDERS	PLC BASED CONTROL SYSTEM	
6 POWER UNITS	STANDARD	6 x 2HP 3/230/460V 66/33A
C/W EL. MOTORS	OPTIONAL	6 x 2HP 3/575V 24A
SAFETY DEVICES ON EACH POST (MECHANICAL/AIR)		
AIR PRESSURE REQUIRMENT MIN. 80 PSI		
SPEED OF RISE	72 SEC.	
OVERALL LIFTING HEIGHT	78"	
RETRACTED HEIGHT	15"	
OVERALL WIDTH	9'-5"	
RUNWAY WIDTH	32-1/2"	
RUNWAYS LENGTH: FROM 30' EVERY 1' TO 60' LONG		

LOCATION OF POWER UNIT STATION
TO BE DETERMINE BY END USER

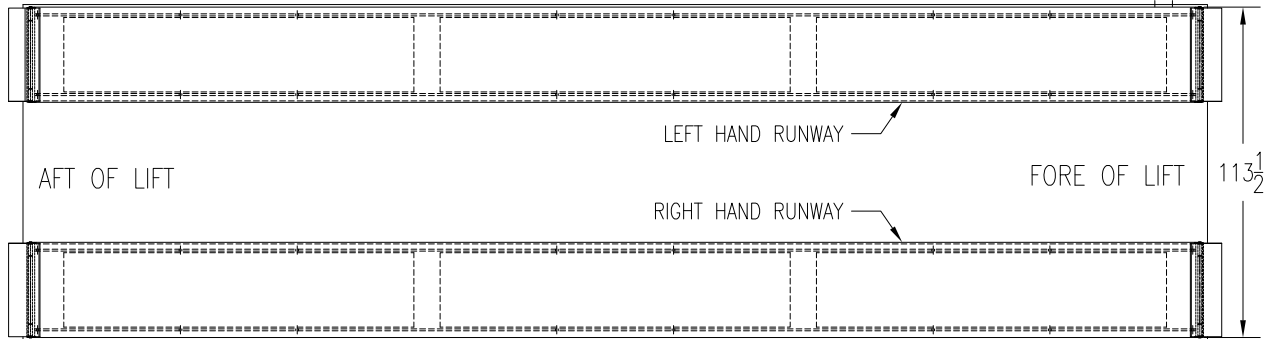
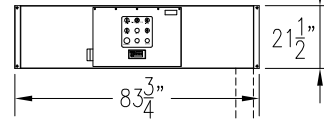


DWN.	JK	TITLE	SCISSORS LIFT MODEL: PKSC6.80		
APPR.	KK		P	K	S
		AUG.30/2013	DWG	PKSC6.80-FIG.01	A

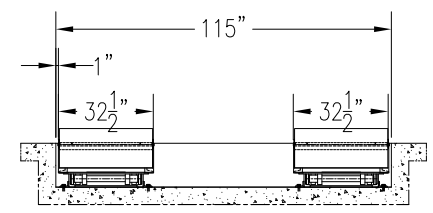
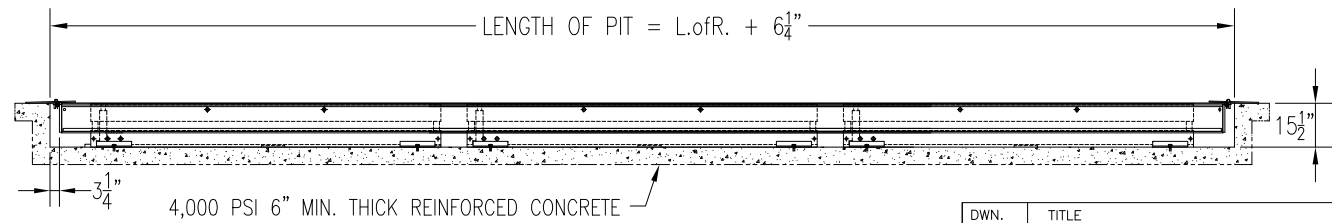
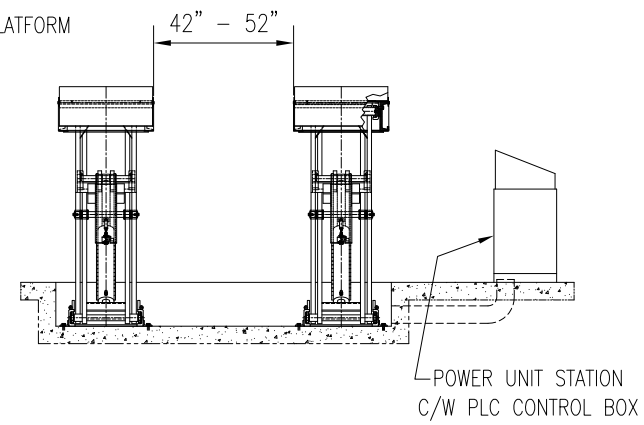
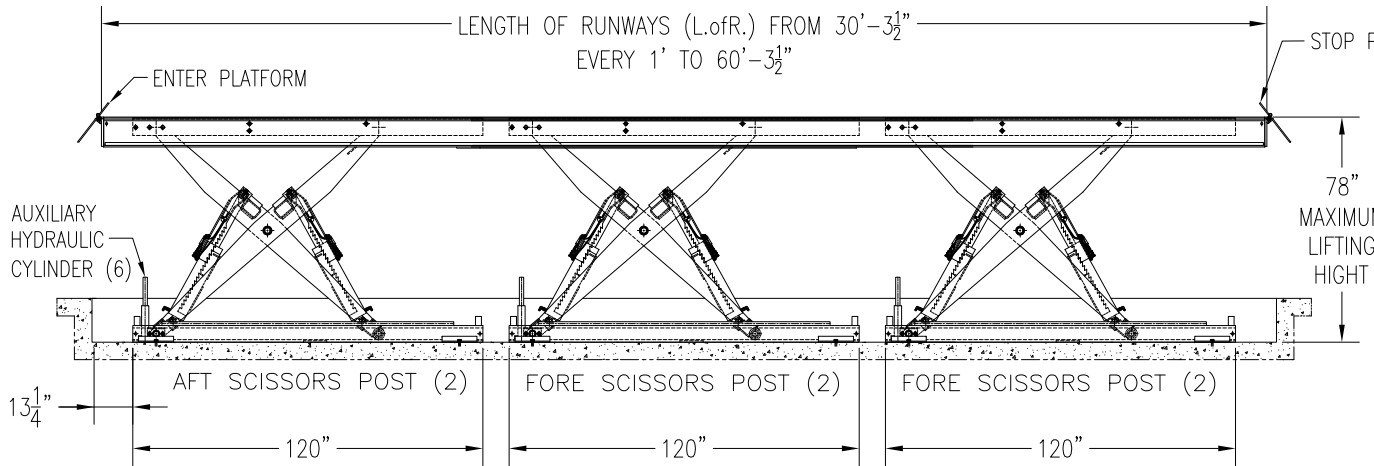
NOTE: DRAWING NOT TO SCALE.

MODEL: PKSC6.80R (RECESSED)
CAPACITY: 80,000 LBS

LOCATION OF POWER UNIT STATION
TO BE DETERMINE BY END USER



SPECIFICATION		
CAPACITY	80,000LBS	
SIX SCISSORS POSTS C/W HYDRAULIC CYLINDERS	PLC BASED CONTROL SYSTEM	
6 POWER UNITS	STANDARD	6 x 2HP 3/230/460V 66/33A
C/W EL. MOTORS	OPTIONAL	6 x 2HP 3/575V 24A
SAFETY DEVICES ON EACH POST (MECHANICAL/AIR)		
AIR PRESSURE REQUIRMENT MIN. 80 PSI		
SPEED OF RISE 72 SEC.		
OVERALL LIFTING HEIGHT 78"		
RETRACTED HEIGHT 15"		
OVERALL WIDTH 9'-5"		
RUNWAY WIDTH 32-1/2"		
RUNWAYS LENGTH: FROM 30' EVERY 1' TO 60' LONG		

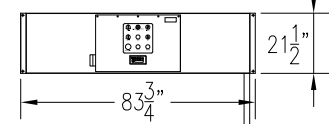


DWN.	JK	TITLE	SCISSORS LIFT MODEL: PKSC6.80R		
APPR.	KK		P	K	S
		AUG.30/2013	DWG	PKSC6.80R-FIG.01	A

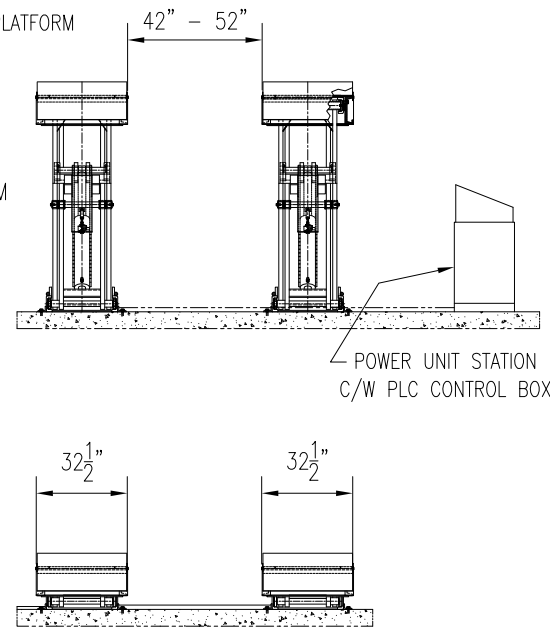
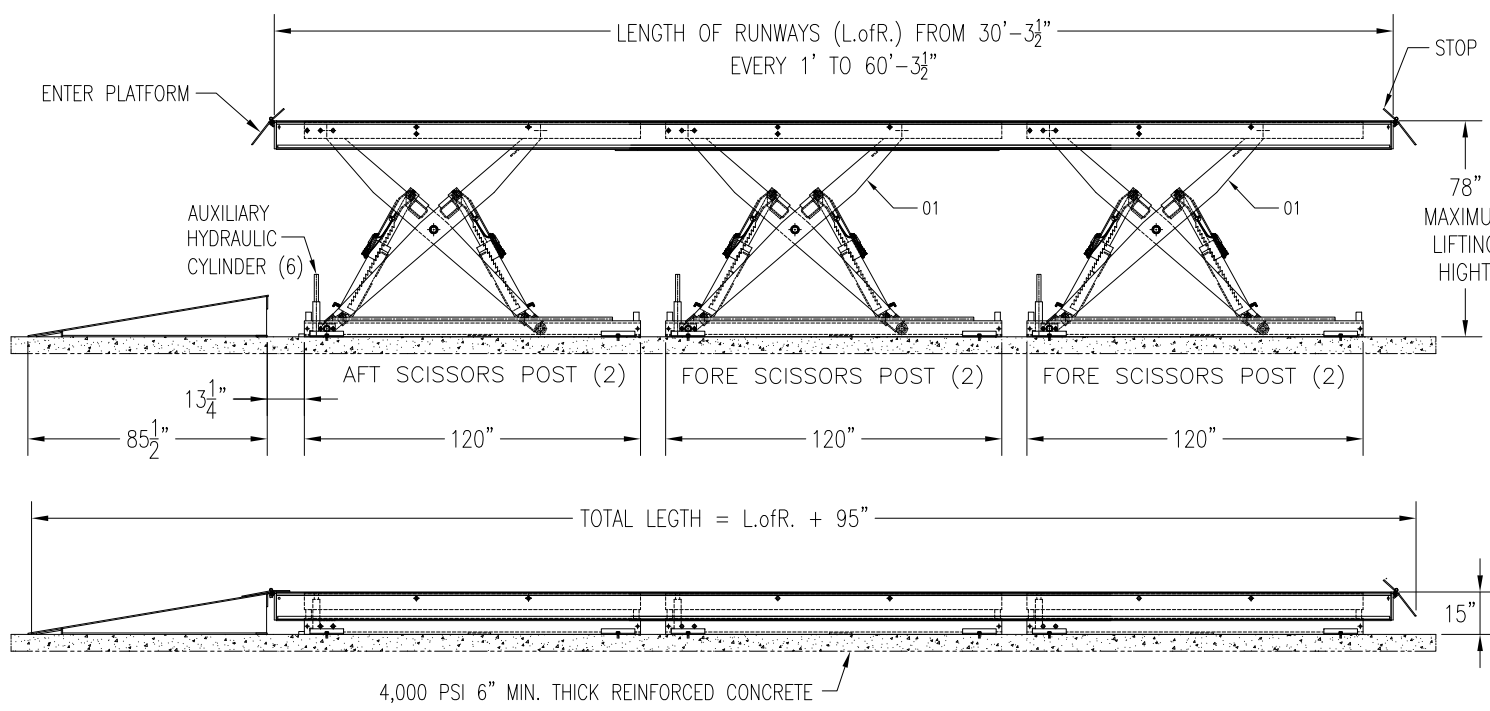
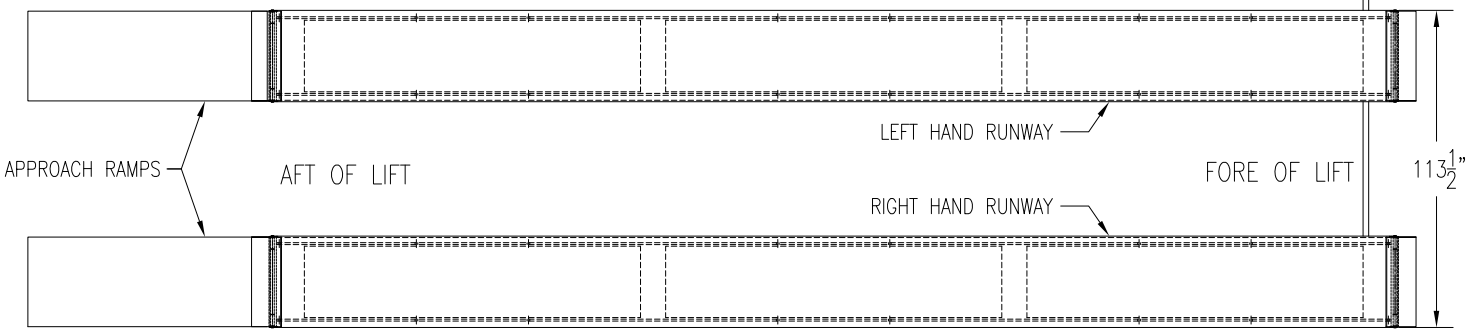
NOTE: DRAWING NOT TO SCALE.

MODEL: PKSC6.85
CAPACITY: 85,000 LBS

LOCATION OF POWER UNIT STATION
TO BE DETERMINE BY END USER



SPECIFICATION		
CAPACITY	85,000LBS	
SIX SCISSORS POSTS C/W HYDRAULIC CYLINDERS	PLC BASED CONTROL SYSTEM	
6 POWER UNITS	STANDARD	6 x 2HP 3/230/460V 66/33A
C/W EL. MOTORS	OPTIONAL	6 x 2HP 3/575V 24A
SAFETY DEVICES ON EACH POST (MECHANICAL/AIR)		
AIR PRESSURE REQUIRMENT MIN. 80 PSI		
SPEED OF RISE 72 SEC.		
OVERALL LIFTING HEIGHT	78"	
RETRACTED HEIGHT	15"	
OVERALL WIDTH	9'-5"	
RUNWAY WIDTH	32-1/2"	
RUNWAYS LENGTH: FROM 30' EVERY 1' TO 60' LONG		

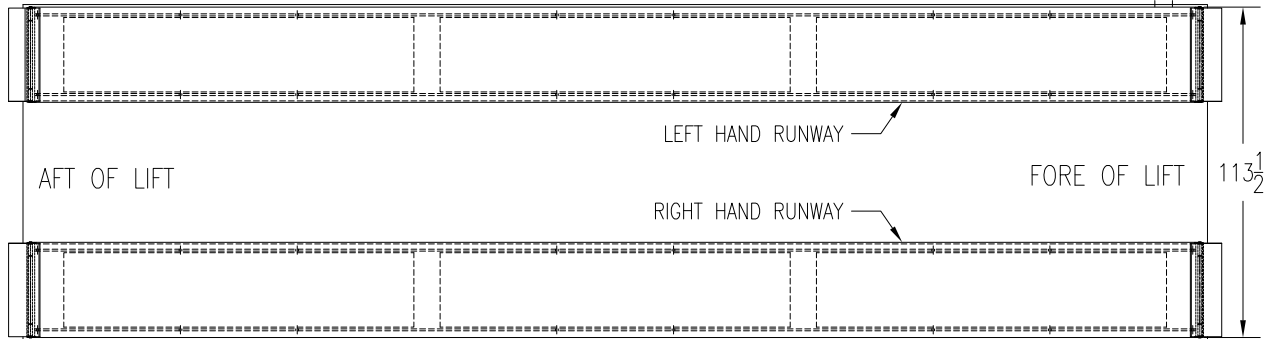
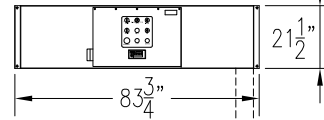


DWN. JK	TITLE SCISSORS LIFT MODEL: PKSC6.85			
APPR. KK	P	K	S	AUG.30/2013
			DWG PKSC6.85-FIG.01	A

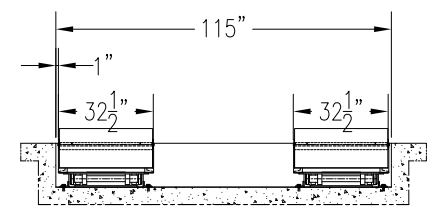
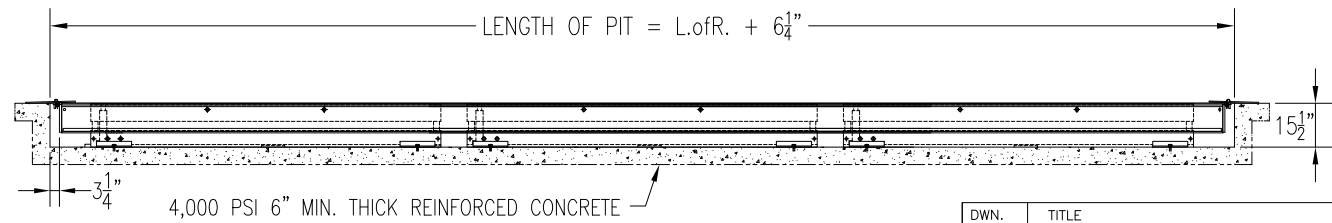
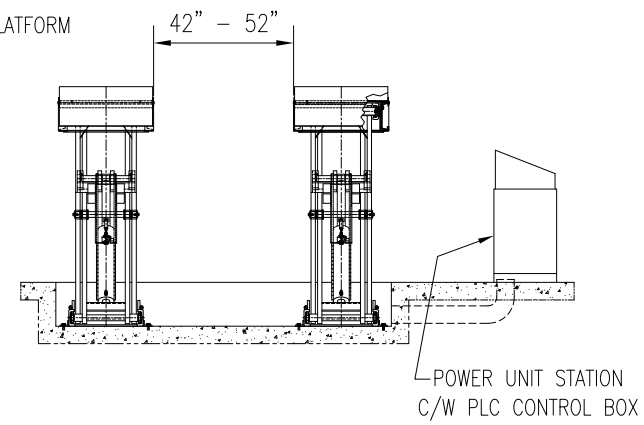
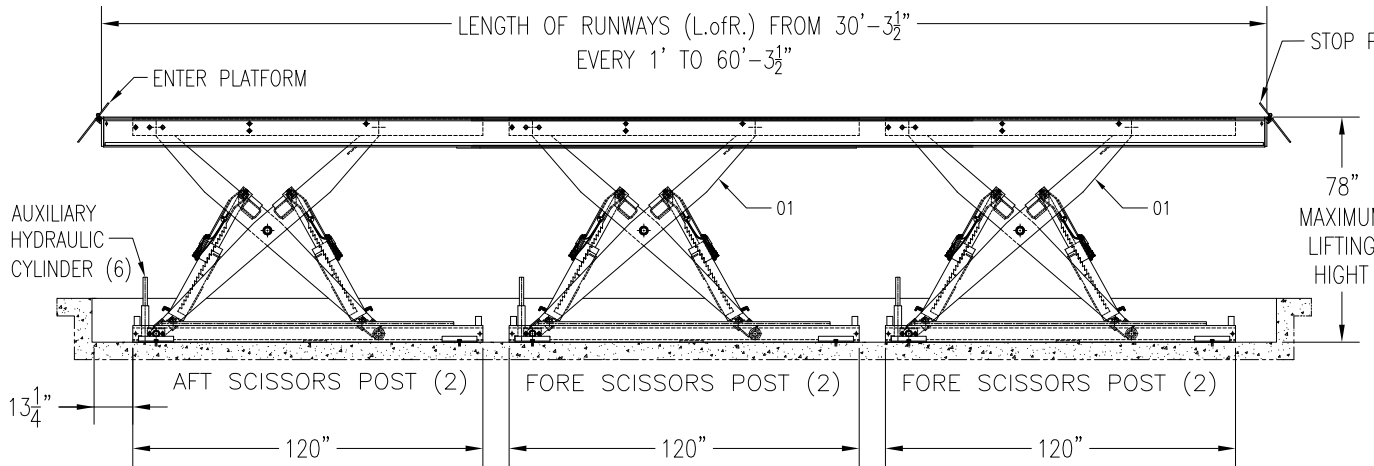
NOTE: DRAWING NOT TO SCALE.

MODEL: PKSC6.85R (RECESSED)
CAPACITY: 85,000 LBS

LOCATION OF POWER UNIT STATION
TO BE DETERMINE BY END USER



SPECIFICATION		
CAPACITY	85,000LBS	
SIX SCISSORS POSTS C/W HYDRAULIC CYLINDERS	PLC BASED CONTROL SYSTEM	
6 POWER UNITS	STANDARD	6 x 2HP 3/230/460V 66/33A
C/W EL. MOTORS	OPTIONAL	6 x 2HP 3/575V 24A
SAFETY DEVICES ON EACH POST (MECHANICAL/AIR)		
AIR PRESSURE REQUIRMENT MIN. 80 PSI		
SPEED OF RISE 72 SEC.		
OVERALL LIFTING HEIGHT 78"		
RETRACTED HEIGHT 15"		
OVERALL WIDTH 9'-5"		
RUNWAY WIDTH 32-1/2"		
RUNWAYS LENGTH: FROM 30' EVERY 1' TO 60' LONG		

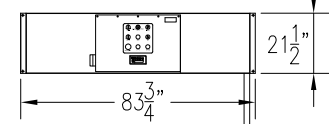


DWN.	JK	TITLE	SCISSORS LIFT MODEL: PKSC6.85R		
APPR.	KK	DWG	AUG.30/2013	PKSC6.85R-FIG.01	A

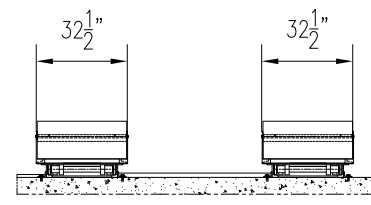
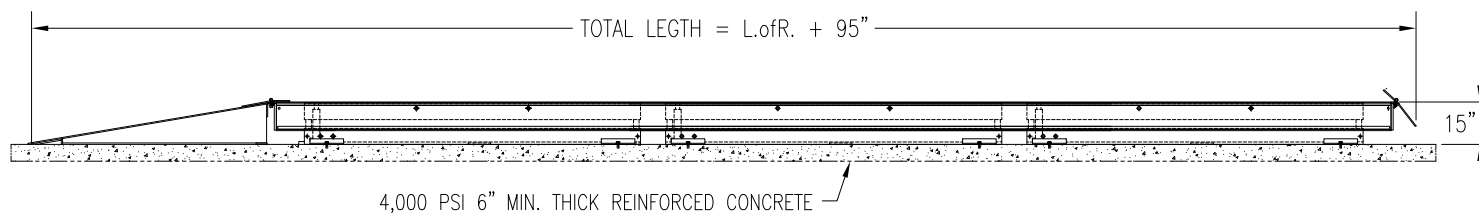
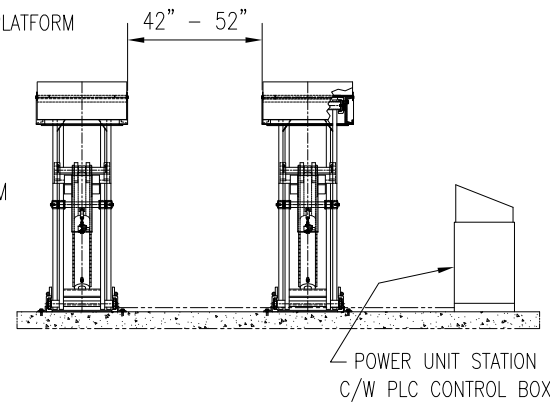
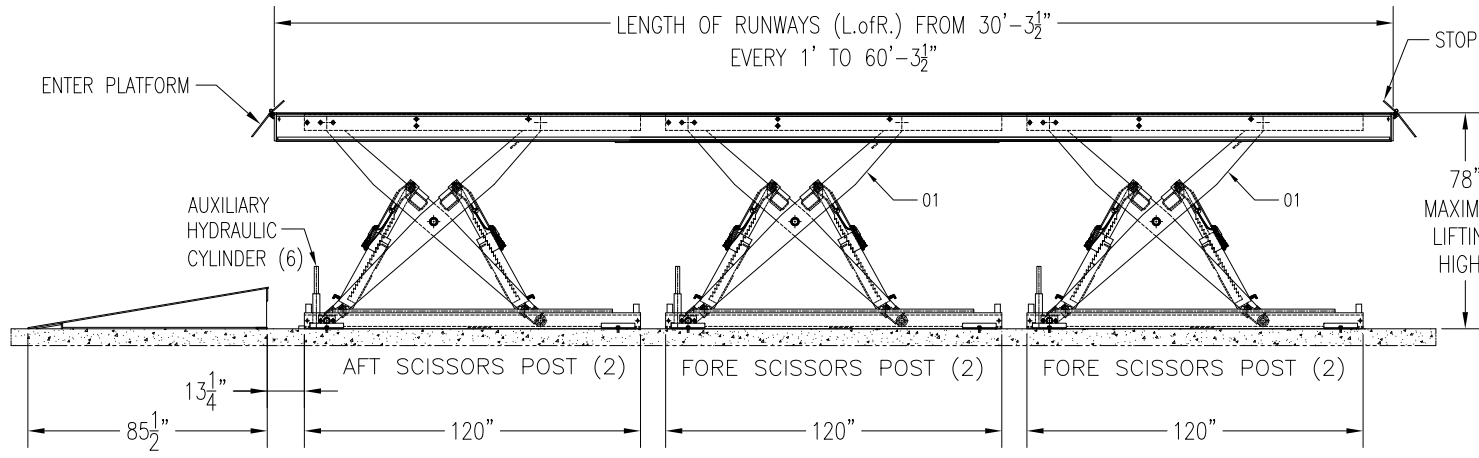
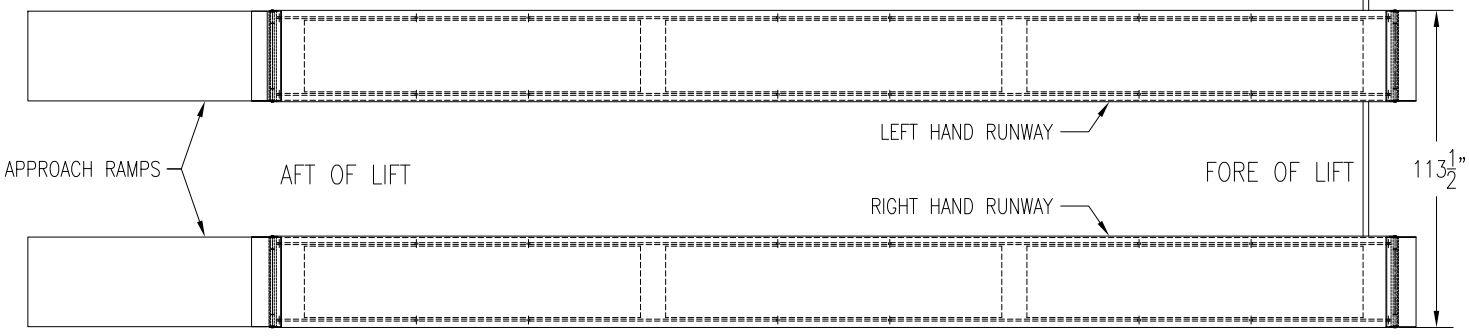
NOTE: DRAWING NOT TO SCALE.

MODEL: PKSC6.90
CAPACITY: 90,000 LBS

LOCATION OF POWER UNIT STATION
TO BE DETERMINE BY END USER



SPECIFICATION		
CAPACITY	90,000LBS	
SIX SCISSORS POSTS C/W HYDRAULIC CYLINDERS	PLC BASED CONTROL SYSTEM	
6 POWER UNITS	STANDARD	6 x 2HP 3/230/460V 66/33A
C/W EL. MOTORS	OPTIONAL	6 x 2HP 3/575V 24A
SAFETY DEVICES ON EACH POST (MECHANICAL/AIR)		
AIR PRESSURE REQUIRMENT MIN. 80 PSI		
SPEED OF RISE	72 SEC.	
OVERALL LIFTING HEIGHT	78"	
RETRACTED HEIGHT	15"	
OVERALL WIDTH	9'-5"	
RUNWAY WIDTH	32-1/2"	
RUNWAYS LENGTH: FROM 30' EVERY 1' TO 60' LONG		

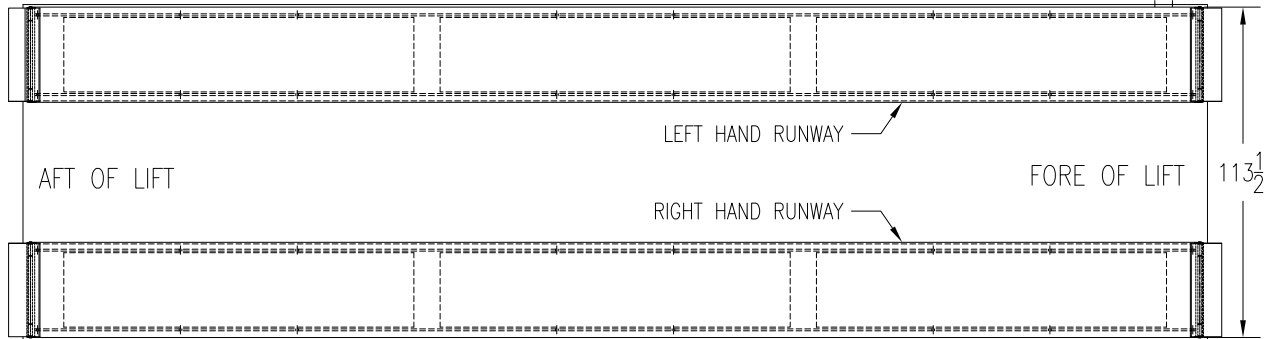
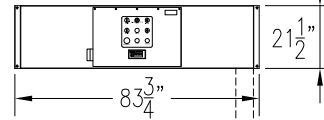


DWN.	JK	TITLE	SCISSORS LIFT MODEL: PKSC6.90		
APPR.	KK		P	K	S
			AUG.30/2013	DWG	PKSC6.90-FIG.01
					A

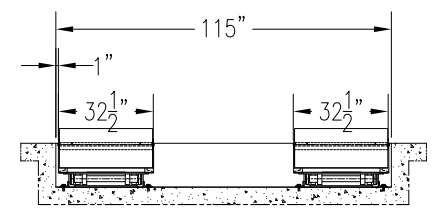
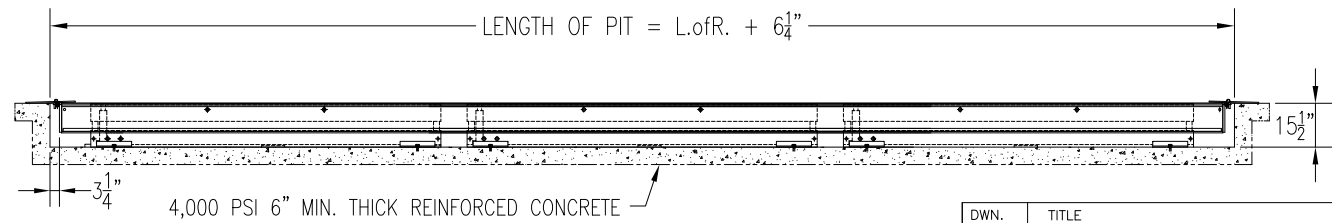
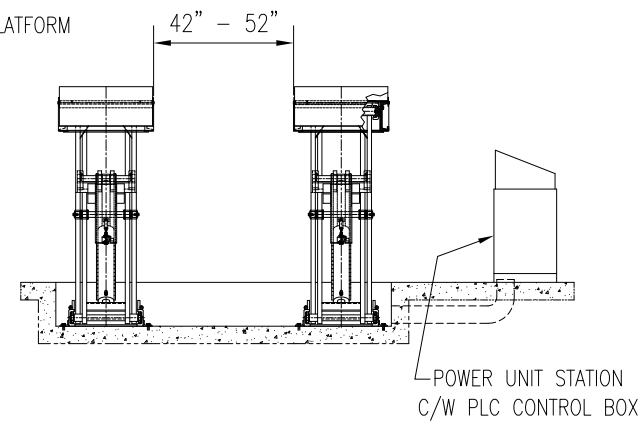
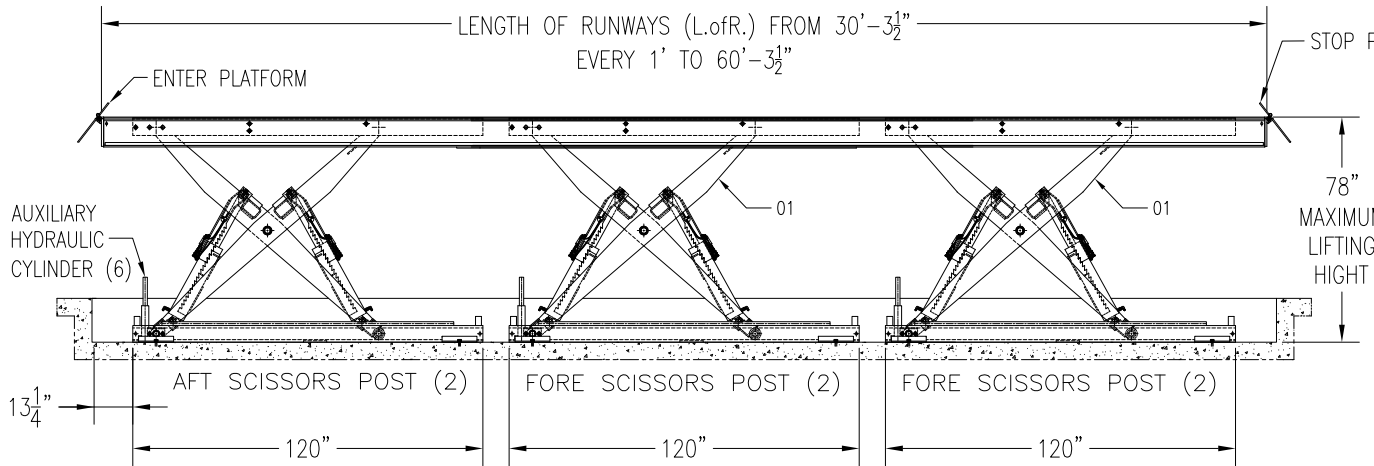
NOTE: DRAWING NOT TO SCALE.

MODEL: PKSC6.90R (RECESSED)
 CAPACITY: 90,000 LBS

LOCATION OF POWER UNIT STATION
 TO BE DETERMINE BY END USER



SPECIFICATION		
CAPACITY	90,000LBS	
SIX SCISSORS POSTS C/W HYDRAULIC CYLINDERS	PLC BASED CONTROL SYSTEM	
6 POWER UNITS	STANDARD	6 x 2HP 3/230/460V 66/33A
C/W EL. MOTORS	OPTIONAL	6 x 2HP 3/575V 24A
SAFETY DEVICES ON EACH POST (MECHANICAL/AIR)		
AIR PRESSURE REQUIRMENT MIN. 80 PSI		
SPEED OF RISE 72 SEC.		
OVERALL LIFTING HEIGHT		78"
RETRACTED HEIGHT		15"
OVERALL WIDTH		9'-5"
RUNWAY WIDTH		32-1/2"
RUNWAYS LENGTH: FROM 30' EVERY 1' TO 60' LONG		



DWN.	JK	TITLE	SCISSORS LIFT MODEL: PKSC6.90R		
APPR.	KK	DWG	P	K	S
			AUG.30/2013	PKSC6.90R-FIG.01	A

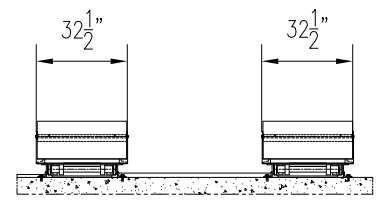
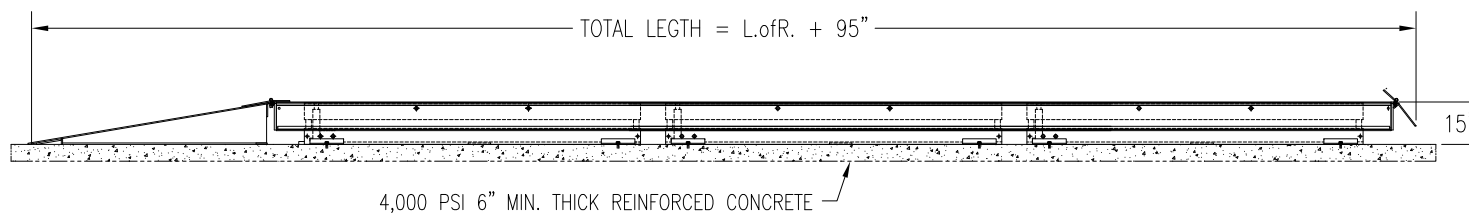
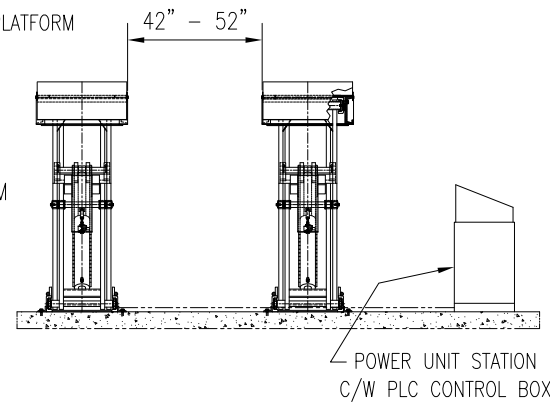
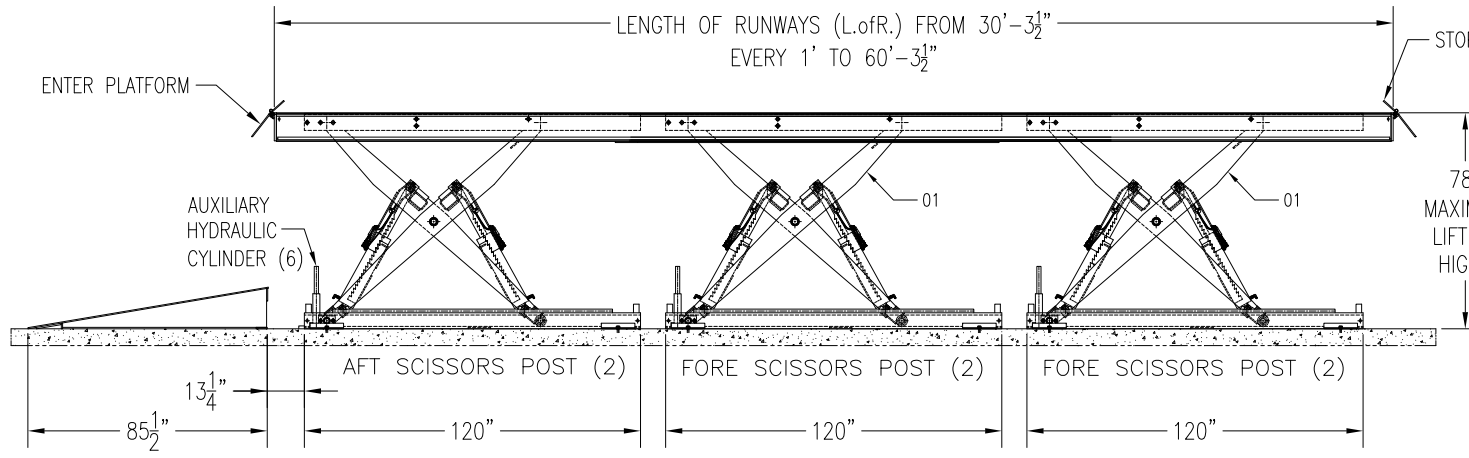
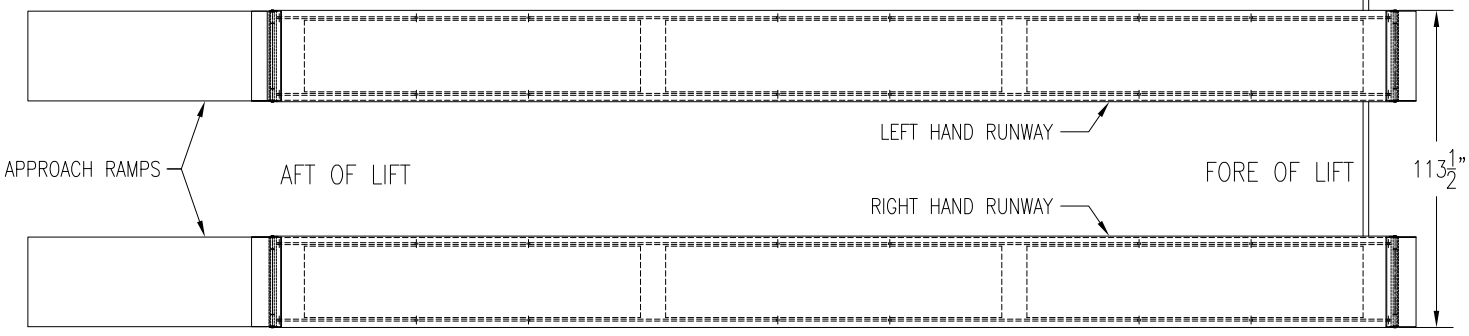
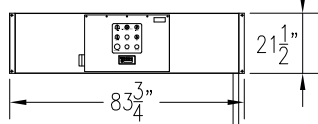
NOTE: DRAWING NOT TO SCALE.

MODEL: PKSC6.95
CAPACITY: 95,000 LBS

SPECIFICATION

CAPACITY	95,000LBS	
SIX SCISSORS POSTS C/W HYDRAULIC CYLINDERS	PLC BASED CONTROL SYSTEM	
6 POWER UNITS	STANDARD	6 x 2HP 3/230/460V 66/33A
C/W EL. MOTORS	OPTIONAL	6 x 2HP 3/575V 24A
SAFETY DEVICES ON EACH POST (MECHANICAL/AIR)		
AIR PRESSURE REQUIRMENT MIN. 80 PSI		
SPEED OF RISE 72 SEC.		
OVERALL LIFTING HEIGHT	78"	
RETRACTED HEIGHT	15"	
OVERALL WIDTH	9'-5"	
RUNWAY WIDTH	32-1/2"	
RUNWAYS LENGTH: FROM 30' EVERY 1' TO 60' LONG		

LOCATION OF POWER UNIT STATION
TO BE DETERMINE BY END USER



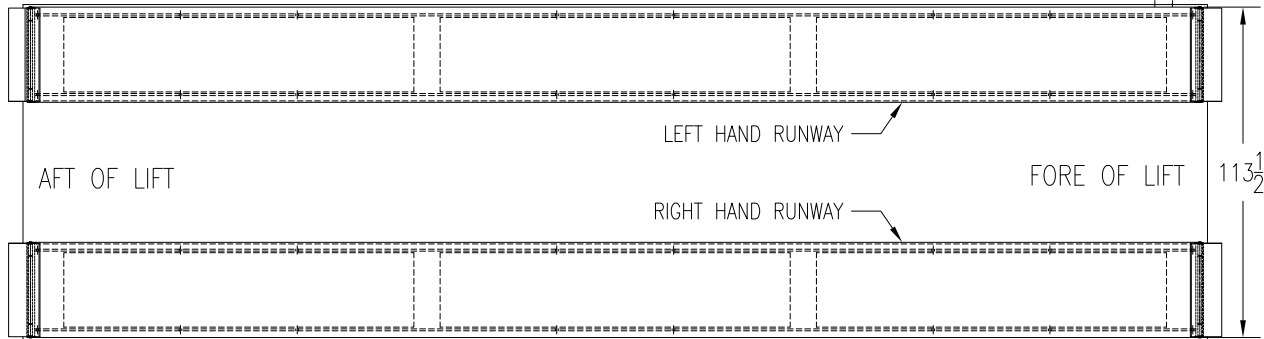
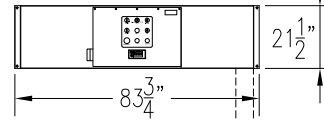
4,000 PSI 6" MIN. THICK REINFORCED CONCRETE

DWN.	JK	TITLE	SCISSORS LIFT MODEL: PKSC6.95		
APPR.	KK		P	K	S
			MAY 20/2014	DWG	PKSC6.95-FIG.01
					A

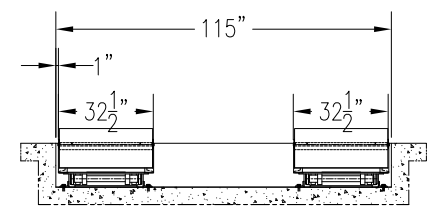
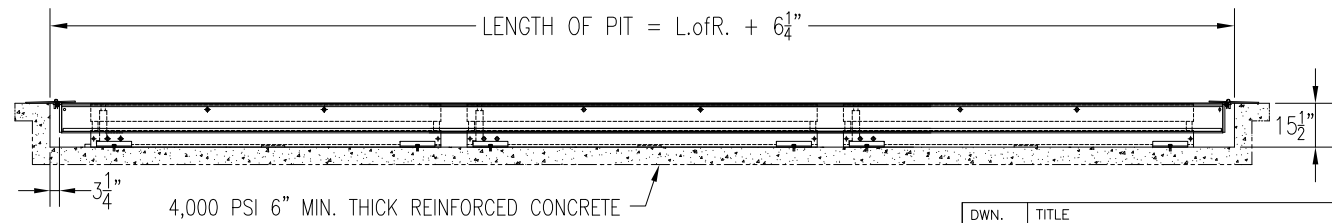
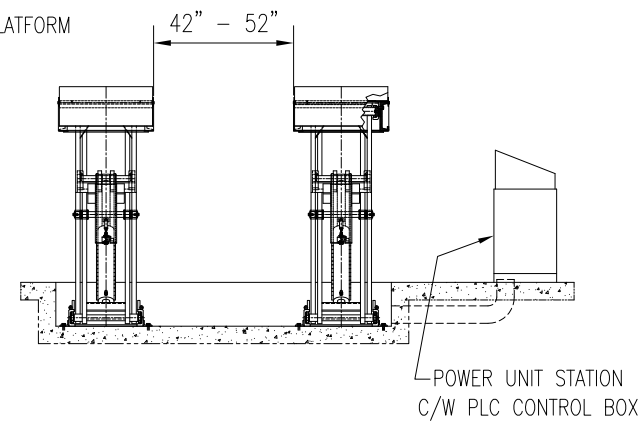
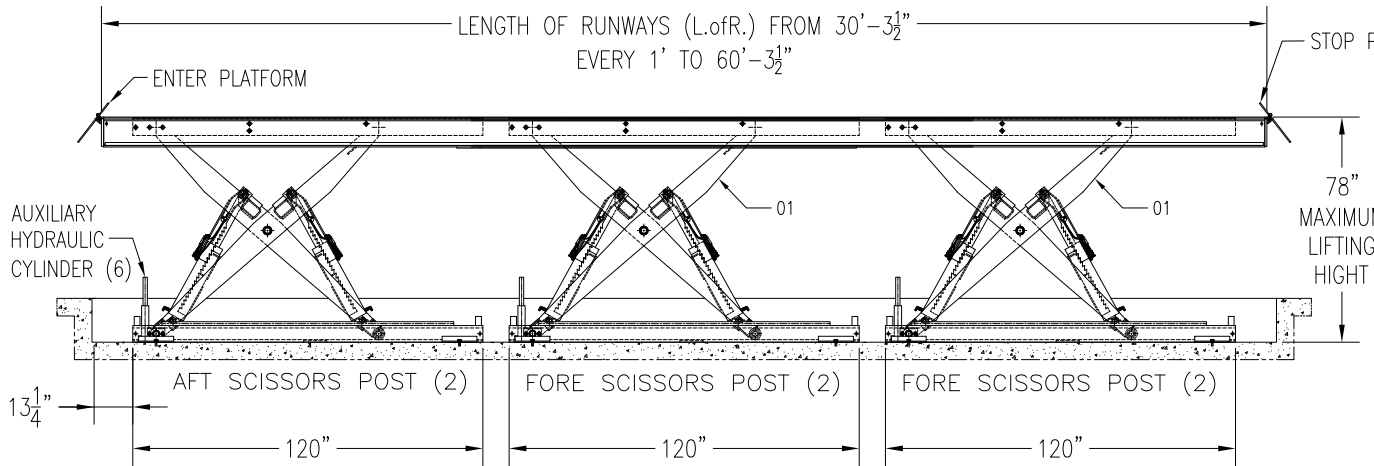
NOTE: DRAWING NOT TO SCALE.

MODEL: PKSC6.95R (RECESSED)
CAPACITY: 95,000 LBS

LOCATION OF POWER UNIT STATION
TO BE DETERMINE BY END USER



SPECIFICATION		
CAPACITY	95,000LBS	
SIX SCISSORS POSTS C/W HYDRAULIC CYLINDERS	PLC BASED CONTROL SYSTEM	
6 POWER UNITS	STANDARD	6 x 2HP 3/230/460V 66/33A
C/W EL. MOTORS	OPTIONAL	6 x 2HP 3/575V 24A
SAFETY DEVICES ON EACH POST (MECHANICAL/AIR)		
AIR PRESSURE REQUIRMENT MIN. 80 PSI		
SPEED OF RISE 72 SEC.		
OVERALL LIFTING HEIGHT	78"	
RETRACTED HEIGHT	15"	
OVERALL WIDTH	9'-5"	
RUNWAY WIDTH	32-1/2"	
RUNWAYS LENGTH: FROM 30' EVERY 1' TO 60' LONG		

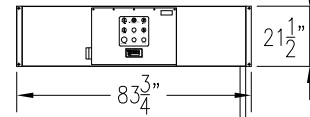


NOTE: DRAWING NOT TO SCALE.

DWN.	JK	TITLE	SCISSORS LIFT MODEL: PKSC6.95R		
APPR.	KK	DWG	AUG.30/2013	PKSC6.95R-FIG.01	A

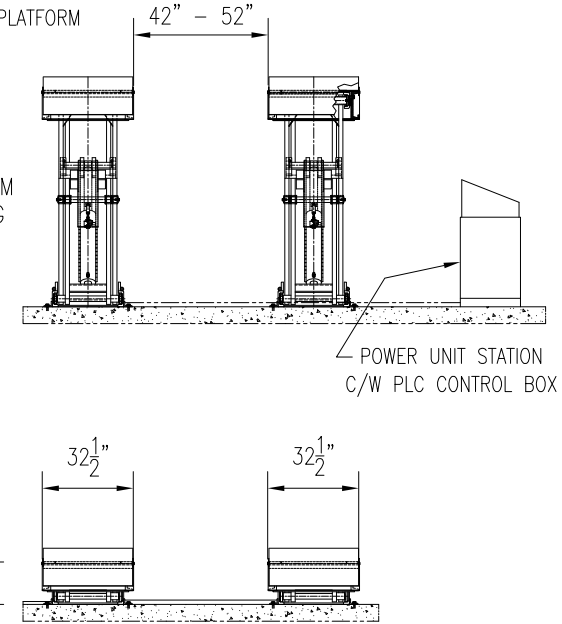
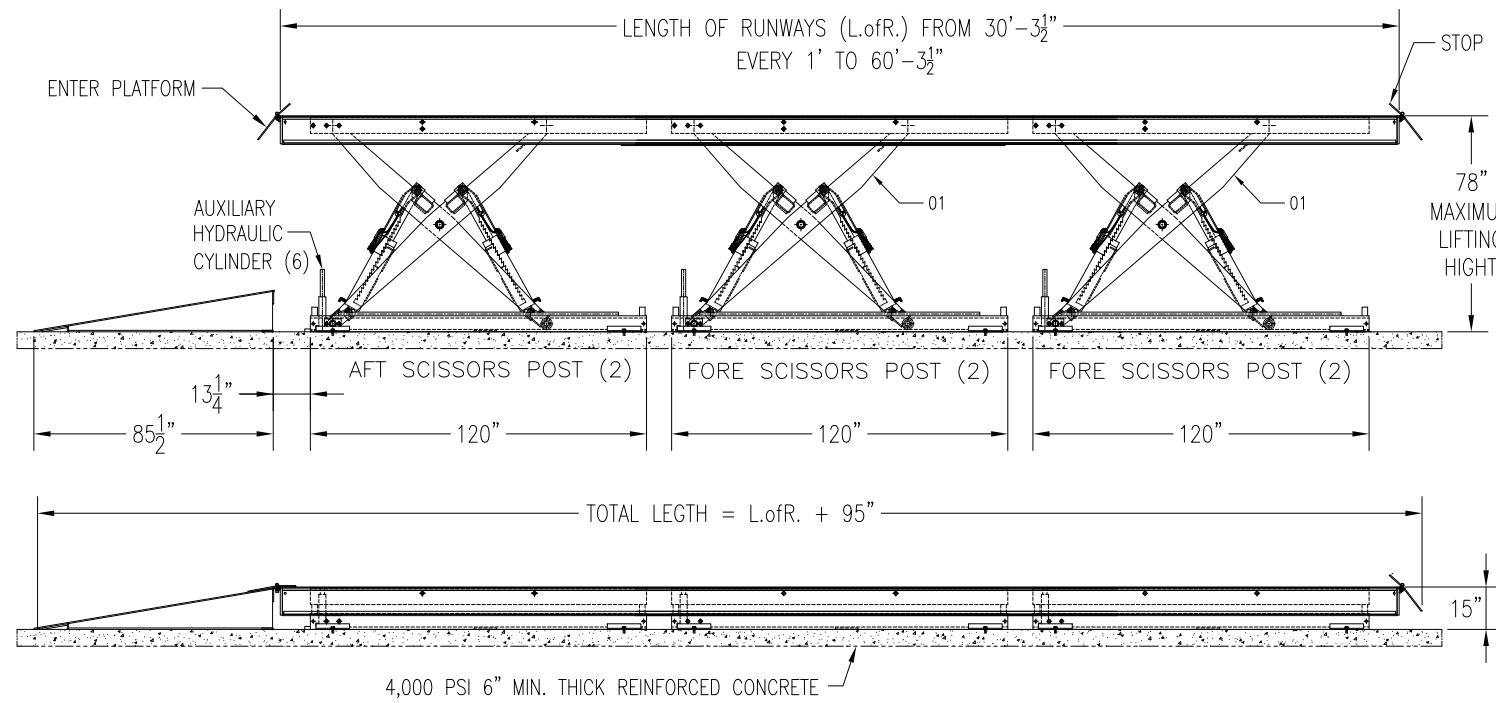
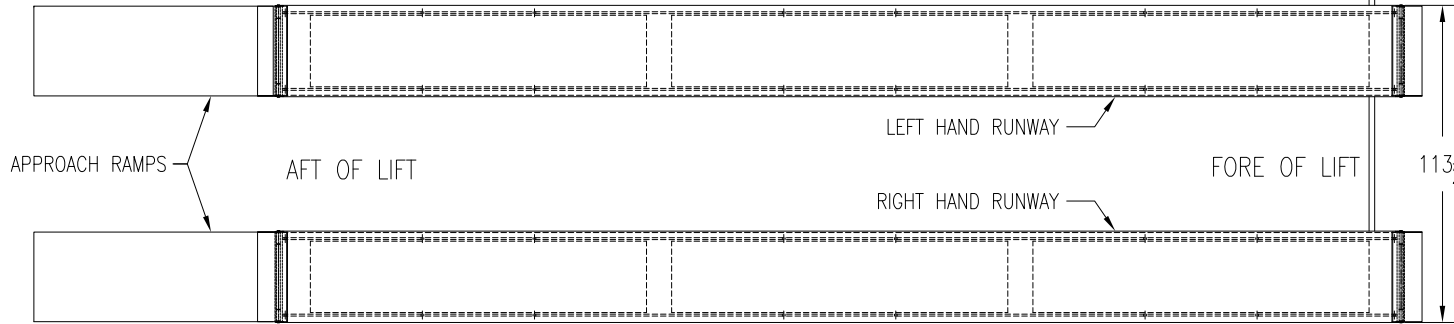
MODEL: PKSC6.100
CAPACITY: 100,000 LBS

LOCATION OF POWER UNIT STATION
TO BE DETERMINE BY END USER



SPECIFICATION

CAPACITY	100,000LBS	
SIX SCISSORS POSTS C/W HYDRAULIC CYLINDERS	PLC BASED CONTROL SYSTEM	
6 POWER UNITS	STANDARD	6 x 2HP 3/230/460V 66/33A
C/W EL. MOTORS	OPTIONAL	6 x 2HP 3/575V 24A
SAFETY DEVICES ON EACH POST (MECHANICAL/AIR)		
AIR PRESSURE REQUIRMENT MIN. 80 PSI		
SPEED OF RISE 72 SEC.		
OVERALL LIFTING HEIGHT	78"	
RETRACTED HEIGHT	15"	
OVERALL WIDTH	9'-5"	
RUNWAY WIDTH	32-1/2"	
RUNWAYS LENGTH: FROM 30' EVERY 1' TO 60' LONG		

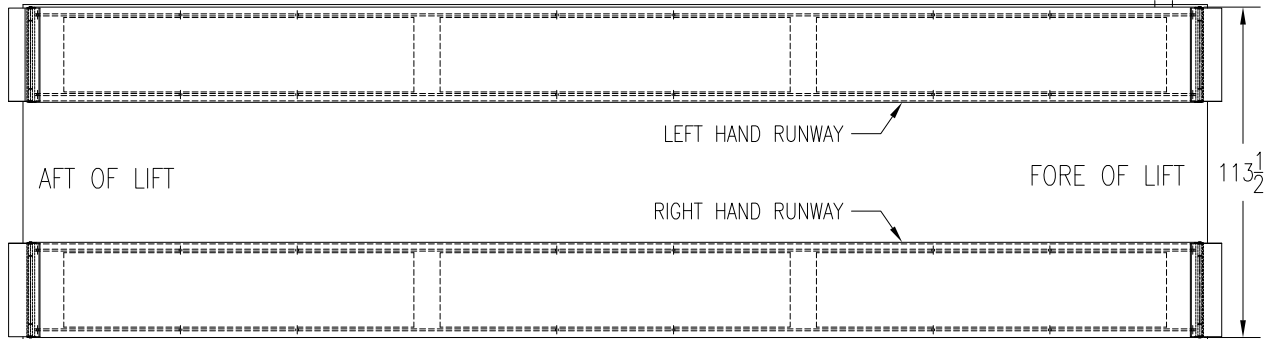
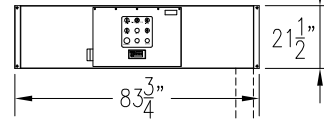


DWN. JK	TITLE SCISSORS LIFT MODEL: PKSC6.100			
APPR. KK	P	K	S	MAY 20/2014
			DWG PKSC6.100-FIG.01	A

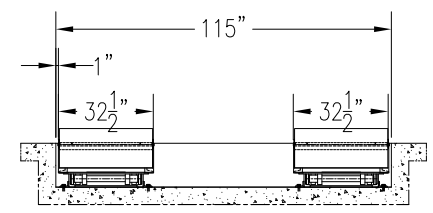
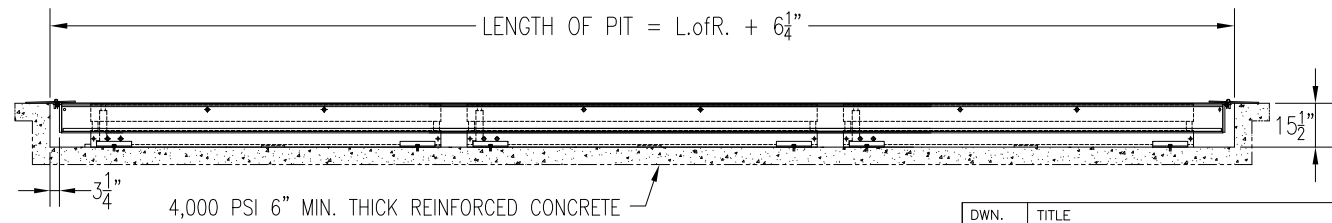
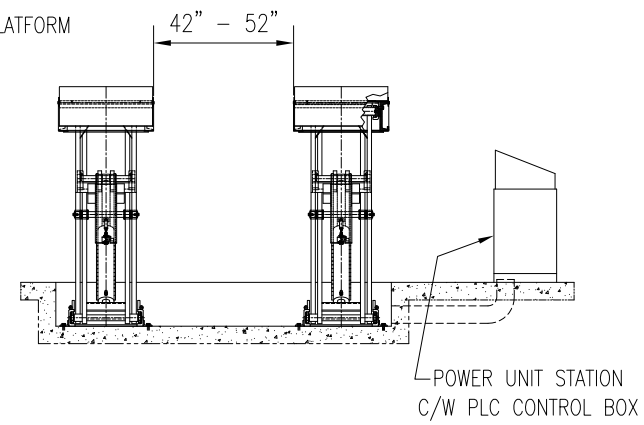
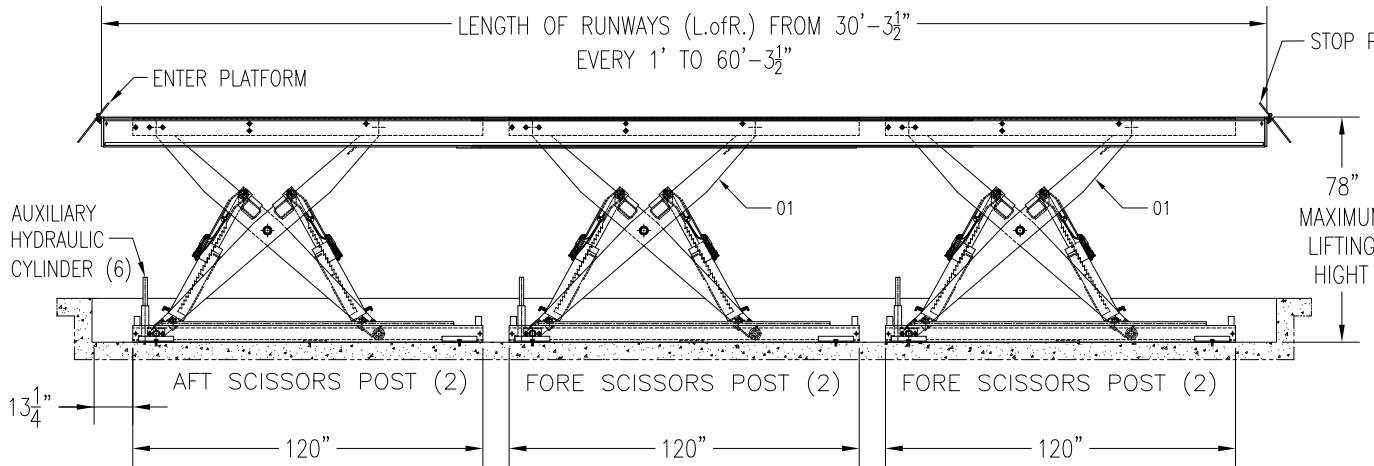
NOTE: DRAWING NOT TO SCALE.

MODEL: PKSC6.100R (RECESSED)
CAPACITY: 100,000 LBS

LOCATION OF POWER UNIT STATION
TO BE DETERMINE BY END USER



SPECIFICATION		
CAPACITY	100,000LBS	
SIX SCISSORS POSTS C/W HYDRAULIC CYLINDERS	PLC BASED CONTROL SYSTEM	
6 POWER UNITS	STANDARD	6 x 2HP 3/230/460V 66/33A
C/W EL. MOTORS	OPTIONAL	6 x 2HP 3/575V 24A
SAFETY DEVICES ON EACH POST (MECHANICAL/AIR)		
AIR PRESSURE REQUIRMENT MIN. 80 PSI		
SPEED OF RISE 72 SEC.		
OVERALL LIFTING HEIGHT 78"		
RETRACTED HEIGHT 15"		
OVERALL WIDTH 9'-5"		
RUNWAY WIDTH 32-1/2"		
RUNWAYS LENGTH: FROM 30' EVERY 1' TO 60' LONG		

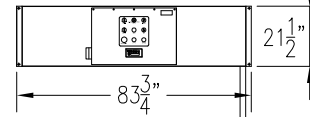


DWN.	JK	TITLE	SCISSORS LIFT MODEL: PKSC6.100R		
APPR.	KK	DWG	MAY 20/2014	PKSC6.100R-FIG.01	A

NOTE: DRAWING NOT TO SCALE.

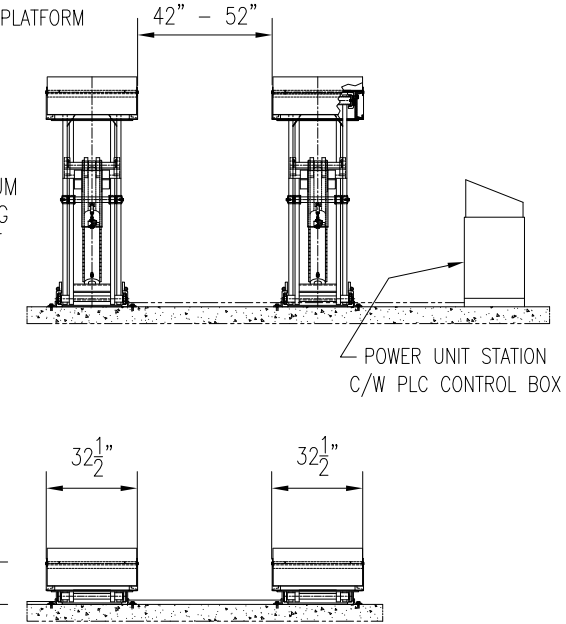
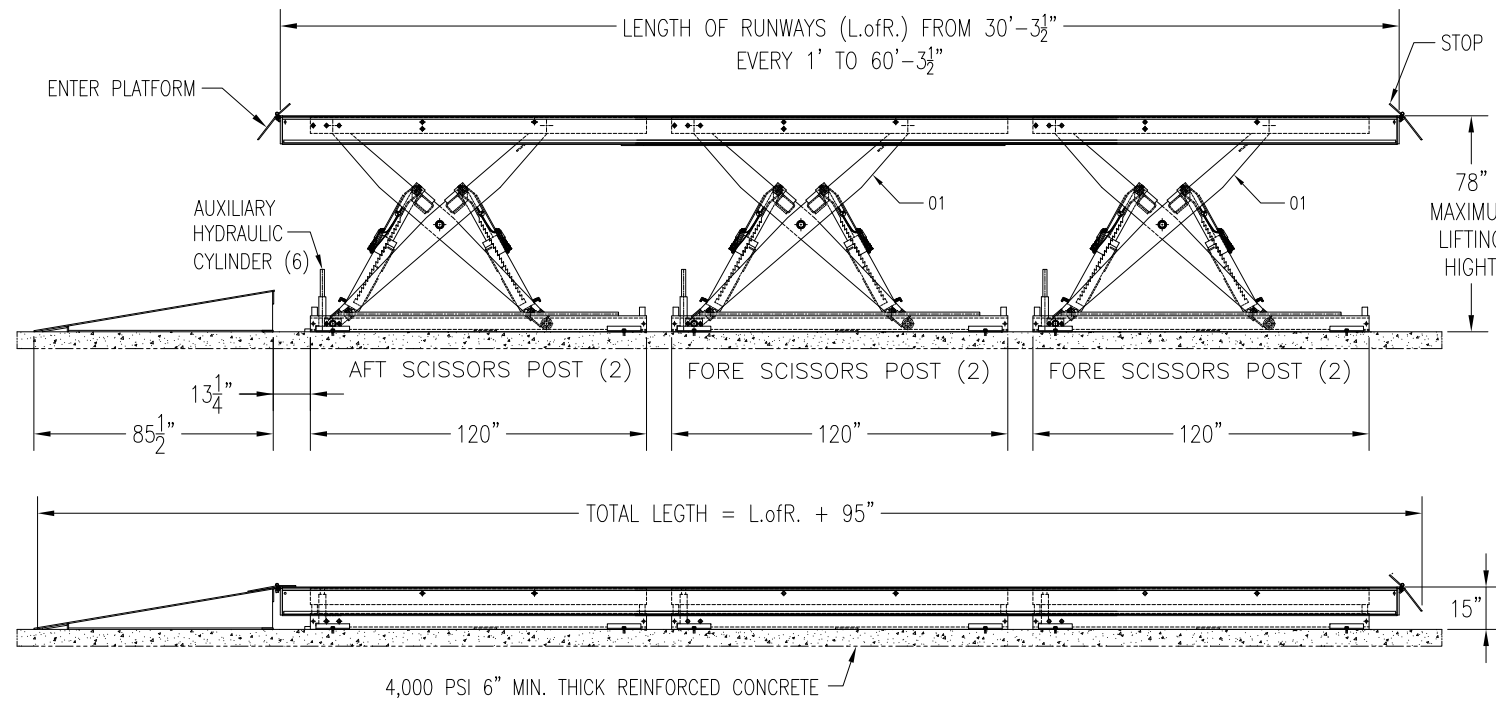
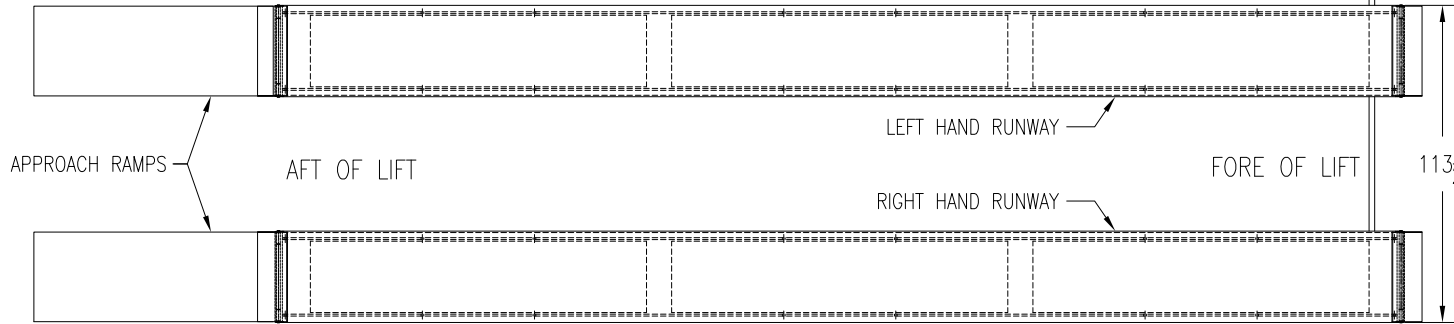
MODEL: PKSC6.105
CAPACITY: 105,000 LBS

LOCATION OF POWER UNIT STATION
TO BE DETERMINE BY END USER



SPECIFICATION

CAPACITY	105,000LBS	
SIX SCISSORS POSTS C/W HYDRAULIC CYLINDERS	PLC BASED CONTROL SYSTEM	
6 POWER UNITS	STANDARD	6 x 2HP 3/230/460V 66/33A
C/W EL. MOTORS	OPTIONAL	6 x 2HP 3/575V 24A
SAFETY DEVICES ON EACH POST (MECHANICAL/AIR)		
AIR PRESSURE REQUIRMENT MIN. 80 PSI		
SPEED OF RISE 72 SEC.		
OVERALL LIFTING HEIGHT	78"	
RETRACTED HEIGHT	15"	
OVERALL WIDTH	9'-5"	
RUNWAY WIDTH	32-1/2"	
RUNWAYS LENGTH: FROM 30' EVERY 1' TO 60' LONG		

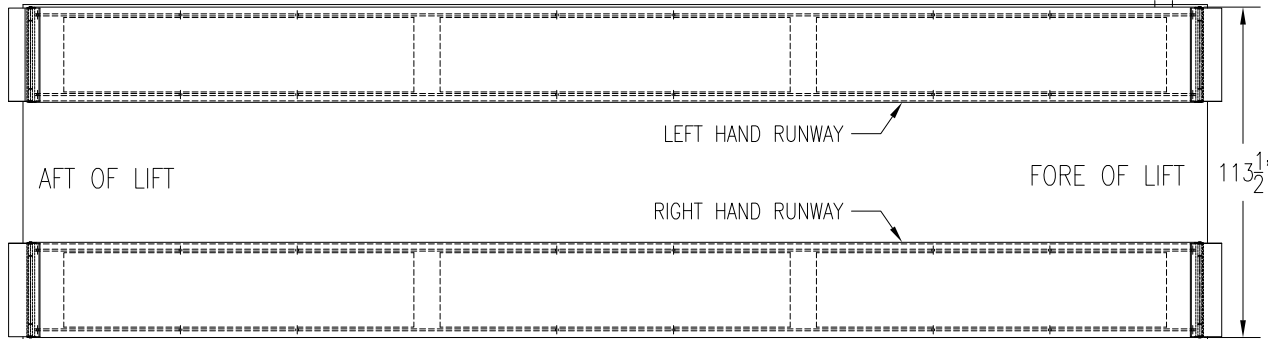
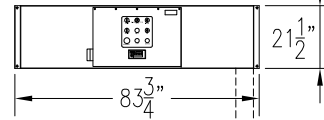


DWN.	JK	TITLE	SCISSORS LIFT MODEL: PKSC6.105		
APPR.	KK		P	K	S
			MAY 20/2014	DWG	PKSC6.105-FIG.01
					A

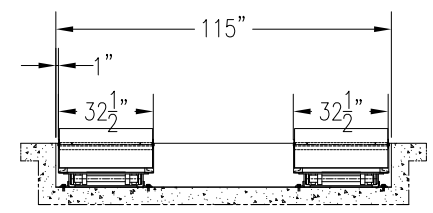
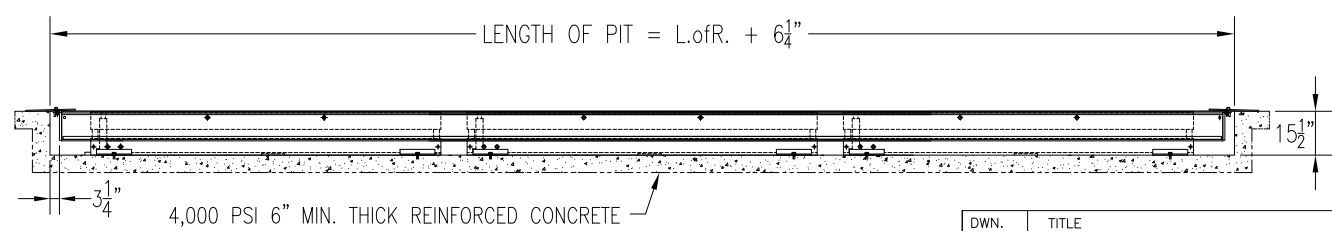
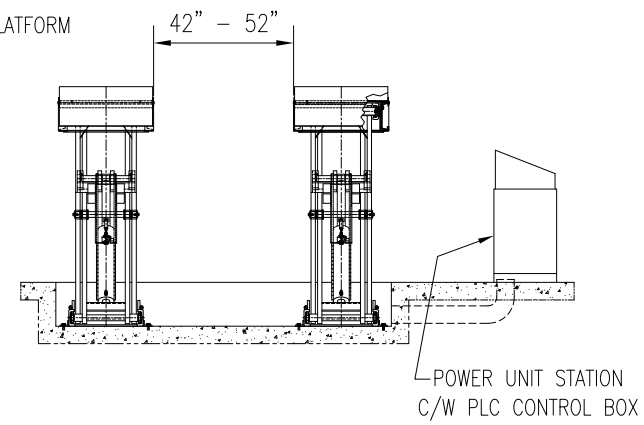
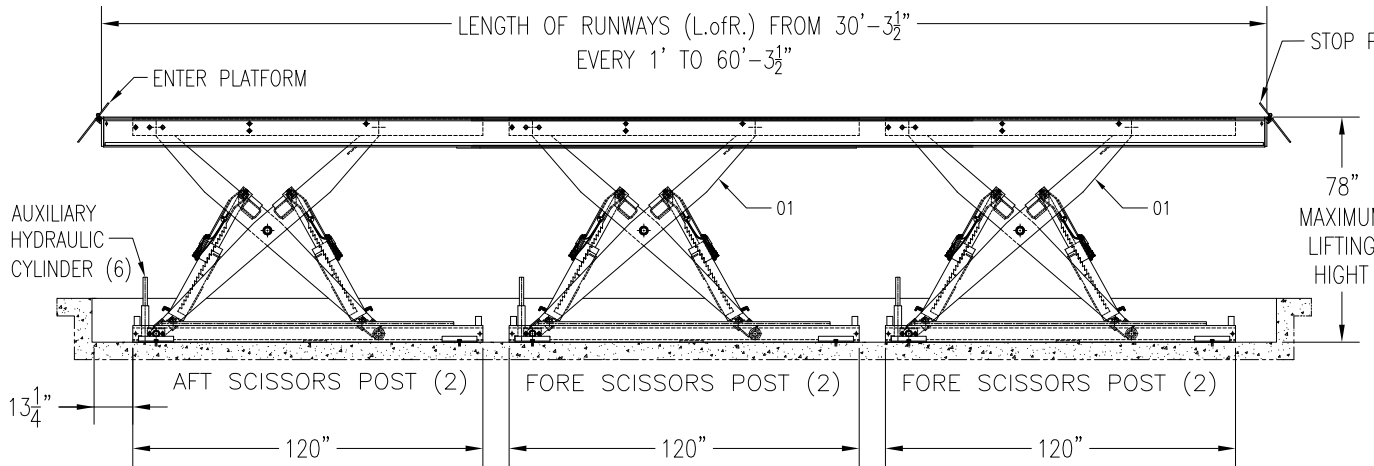
NOTE: DRAWING NOT TO SCALE.

MODEL: PKSC6.105R (RECESSED)
CAPACITY: 105,000 LBS

LOCATION OF POWER UNIT STATION
TO BE DETERMINE BY END USER



SPECIFICATION		
CAPACITY	105,000LBS	
SIX SCISSORS POSTS C/W HYDRAULIC CYLINDERS	PLC BASED CONTROL SYSTEM	
6 POWER UNITS	STANDARD	6 x 2HP 3/230/460V 66/33A
C/W EL. MOTORS	OPTIONAL	6 x 2HP 3/575V 24A
SAFETY DEVICES ON EACH POST (MECHANICAL/AIR)		
AIR PRESSURE REQUIRMENT MIN. 80 PSI		
SPEED OF RISE 72 SEC.		
OVERALL LIFTING HEIGHT		78"
RETRACTED HEIGHT		15"
OVERALL WIDTH		9'-5"
RUNWAY WIDTH		32-1/2"
RUNWAYS LENGTH: FROM 30' EVERY 1' TO 60' LONG		

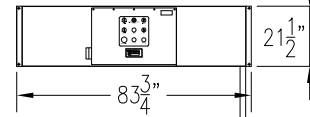


NOTE: DRAWING NOT TO SCALE.

DWN.	JK	TITLE	SCISSORS LIFT MODEL: PKSC6.105R		
APPR.	KK	DWG	MAY 20/2014	PKSC6.105R-FIG.01	A

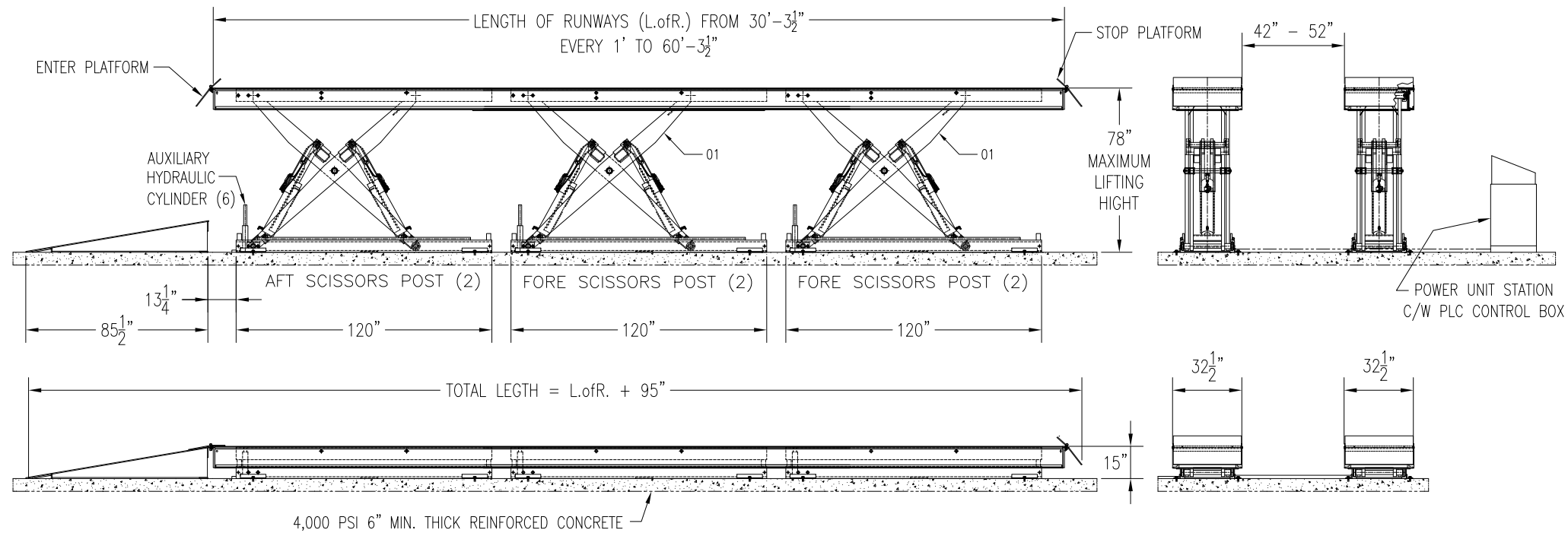
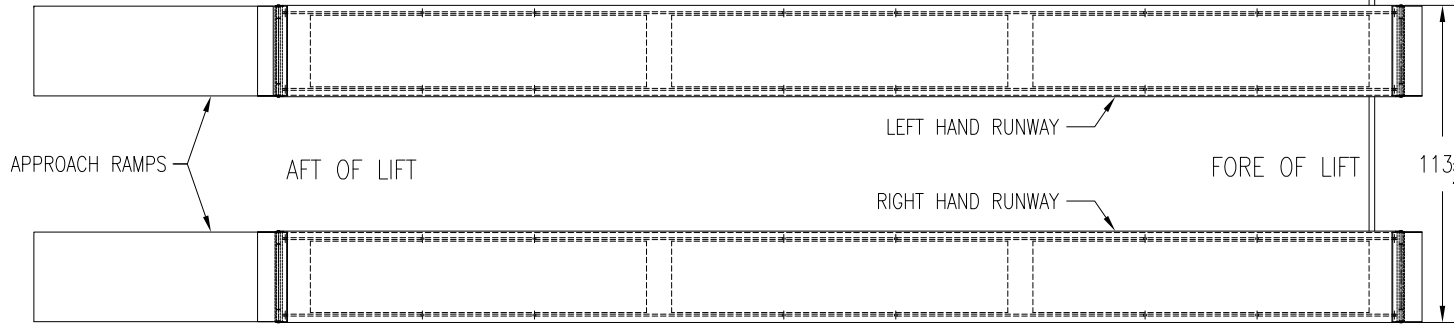
MODEL: PKSC6.110
CAPACITY: 110,000 LBS

LOCATION OF POWER UNIT STATION
TO BE DETERMINE BY END USER



SPECIFICATION

CAPACITY	110,000LBS	
SIX SCISSORS POSTS C/W HYDRAULIC CYLINDERS	PLC BASED CONTROL SYSTEM	
6 POWER UNITS	STANDARD	6 x 2HP 3/230/460V 66/33A
C/W EL. MOTORS	OPTIONAL	6 x 2HP 3/575V 24A
SAFETY DEVICES ON EACH POST (MECHANICAL/AIR)		
AIR PRESSURE REQUIRMENT MIN. 80 PSI		
SPEED OF RISE 72 SEC.		
OVERALL LIFTING HEIGHT	78"	
RETRACTED HEIGHT	15"	
OVERALL WIDTH	9'-5"	
RUNWAY WIDTH	32-1/2"	
RUNWAYS LENGTH: FROM 30' EVERY 1' TO 60' LONG		

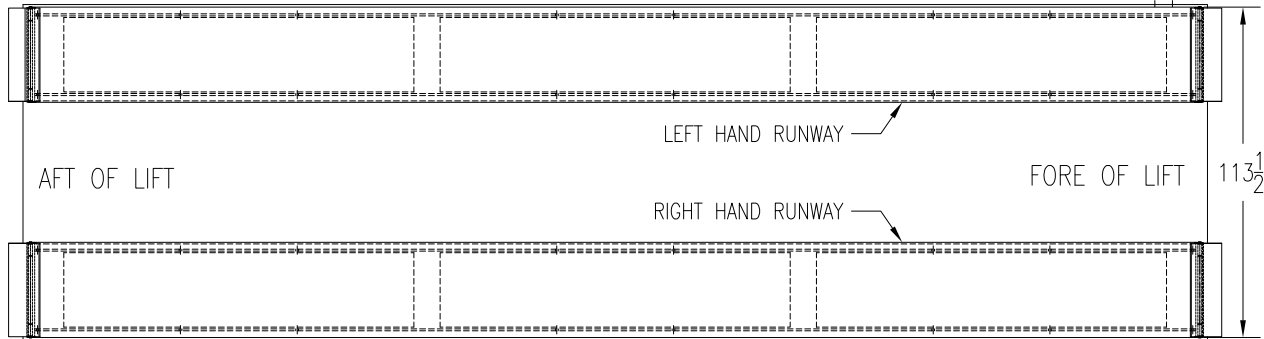
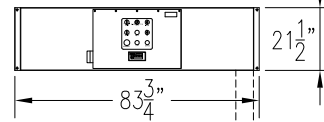


NOTE: DRAWING NOT TO SCALE.

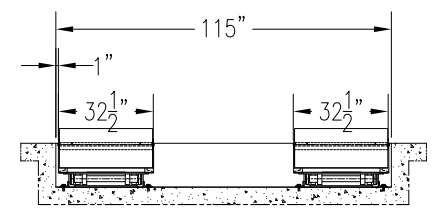
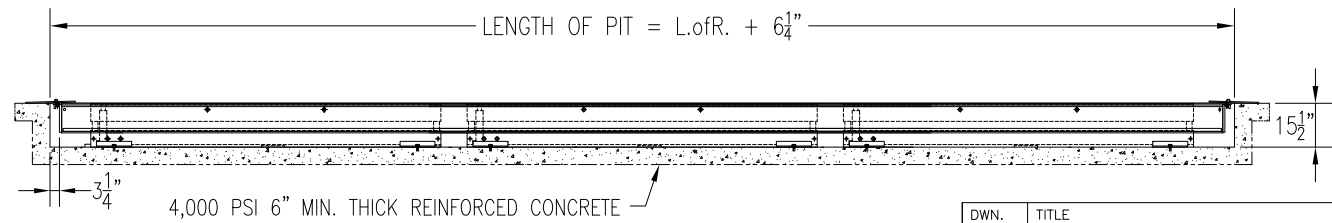
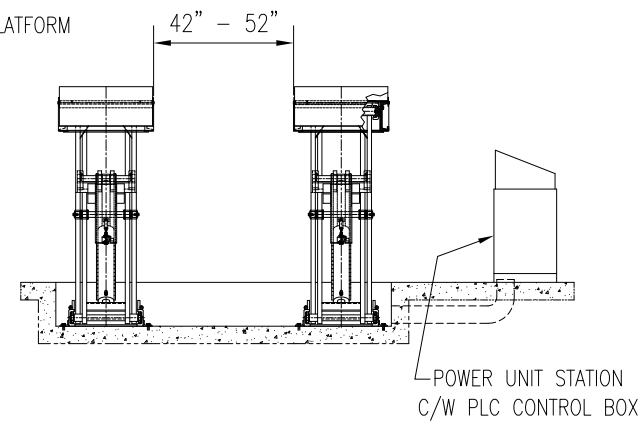
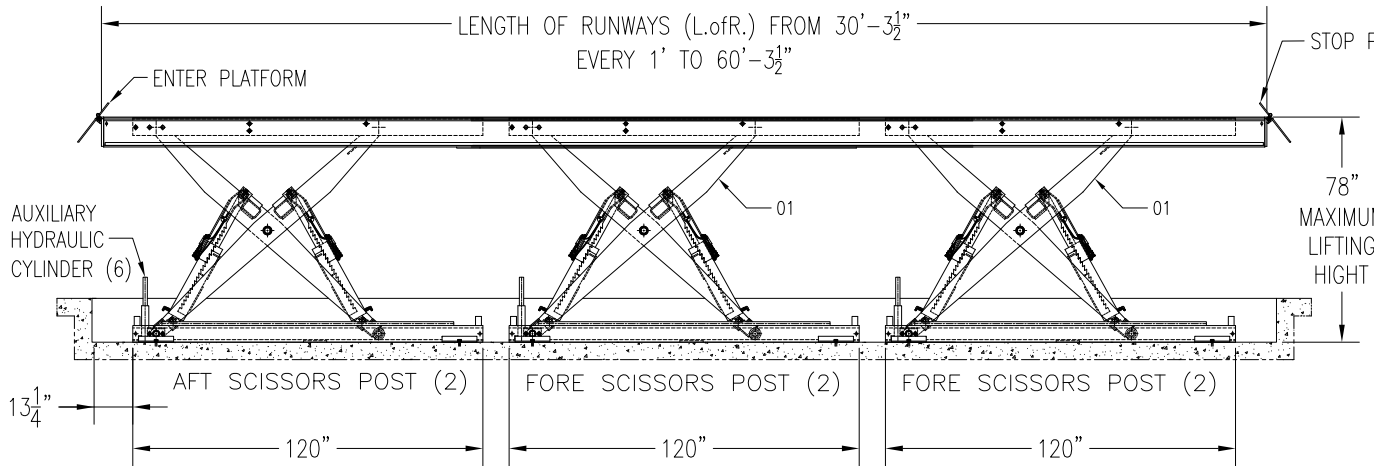
DWN.	JK	TITLE	SCISSORS LIFT MODEL: PKSC6.110		
APPR.	KK	DWG	PKS	MAY 20/2014	PKSC6.110-FIG.01 A

MODEL: PKSC6.110R (RECESSED)
CAPACITY: 110,000 LBS

LOCATION OF POWER UNIT STATION
TO BE DETERMINE BY END USER



SPECIFICATION		
CAPACITY	110,000LBS	
SIX SCISSORS POSTS C/W HYDRAULIC CYLINDERS	PLC BASED CONTROL SYSTEM	
6 POWER UNITS	STANDARD	6 x 2HP 3/230/460V 66/33A
C/W EL. MOTORS	OPTIONAL	6 x 2HP 3/575V 24A
SAFETY DEVICES ON EACH POST (MECHANICAL/AIR)		
AIR PRESSURE REQUIRMENT MIN. 80 PSI		
SPEED OF RISE 72 SEC.		
OVERALL LIFTING HEIGHT		78"
RETRACTED HEIGHT		15"
OVERALL WIDTH		9'-5"
RUNWAY WIDTH		32-1/2"
RUNWAYS LENGTH: FROM 30' EVERY 1' TO 60' LONG		

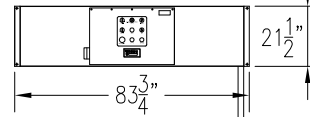


DWN.	JK	TITLE	SCISSORS LIFT MODEL: PKSC6.110R		
APPR.	KK		MAY 20/2014	DWG	PKSC6.110R-FIG.01 A

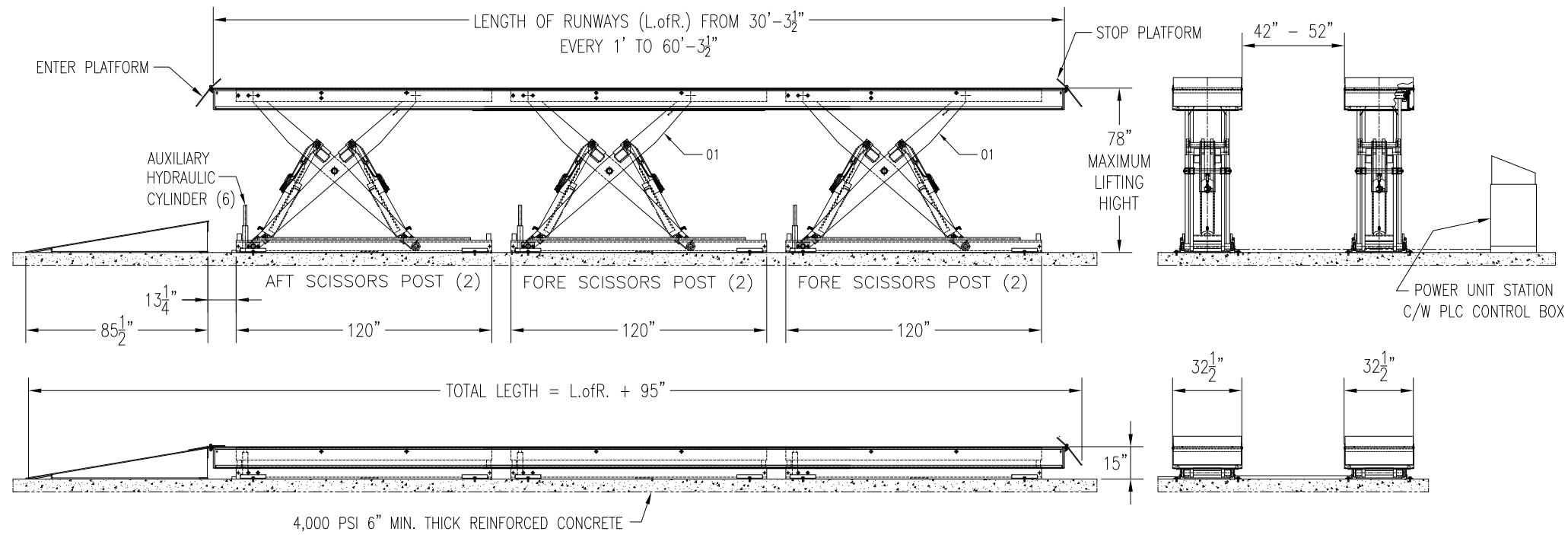
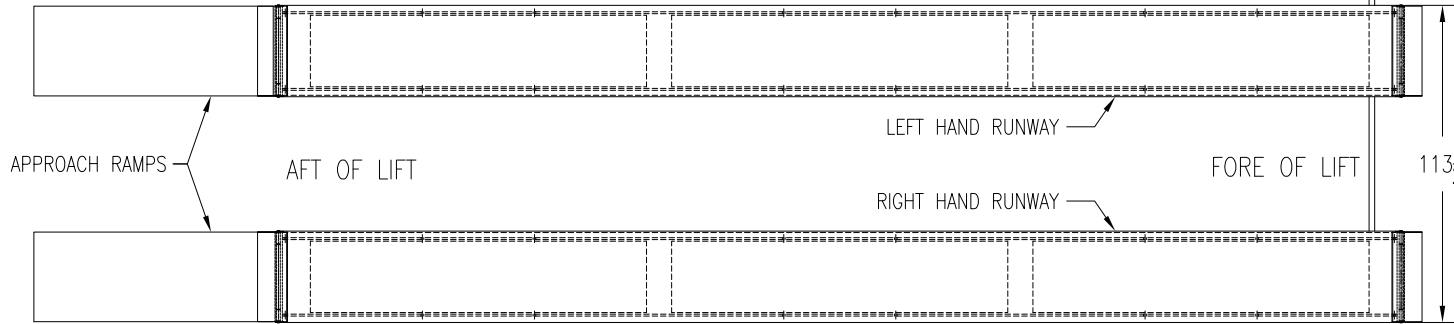
NOTE: DRAWING NOT TO SCALE.

MODEL: PKSC6.115
CAPACITY: 115,000 LBS

LOCATION OF POWER UNIT STATION
TO BE DETERMINE BY END USER



SPECIFICATION		
CAPACITY	115,000LBS	
SIX SCISSORS POSTS C/W HYDRAULIC CYLINDERS	PLC BASED CONTROL SYSTEM	
6 POWER UNITS	STANDARD	6 x 2HP 3/230/460V 66/33A
C/W EL. MOTORS	OPTIONAL	6 x 2HP 3/575V 24A
SAFETY DEVICES ON EACH POST (MECHANICAL/AIR)		
AIR PRESSURE REQUIRMENT MIN. 80 PSI		
SPEED OF RISE	72 SEC.	
OVERALL LIFTING HEIGHT	78"	
RETRACTED HEIGHT	15"	
OVERALL WIDTH	9'-5"	
RUNWAY WIDTH	32-1/2"	
RUNWAYS LENGTH: FROM 30' EVERY 1' TO 60' LONG		

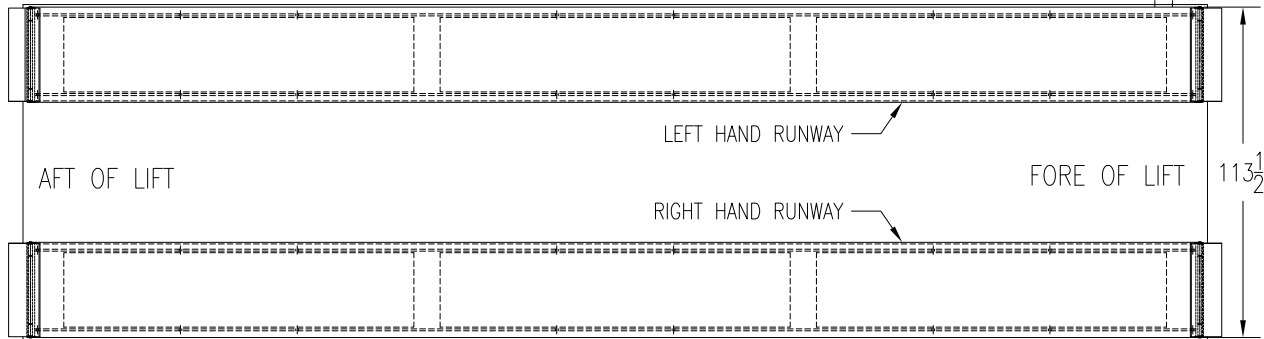
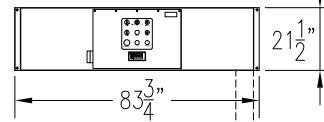


NOTE: DRAWING NOT TO SCALE.

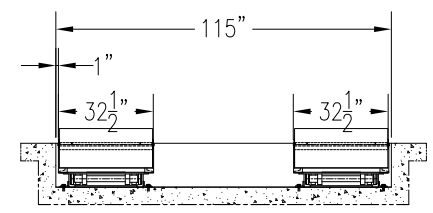
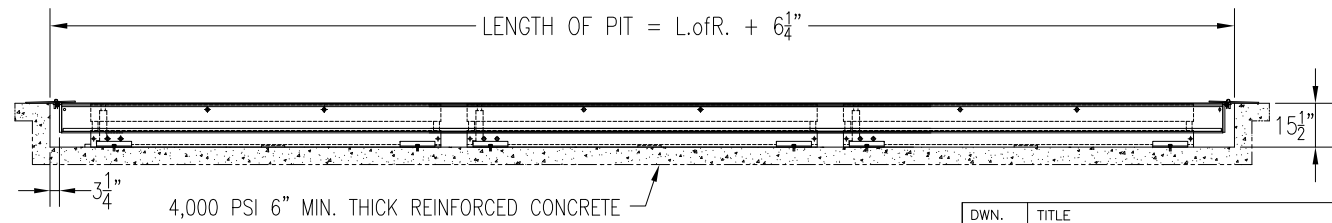
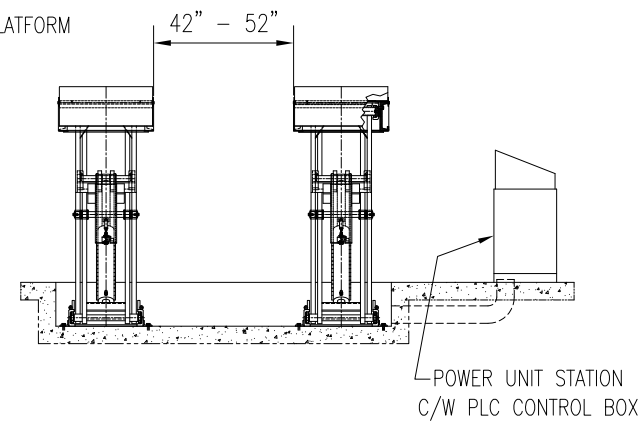
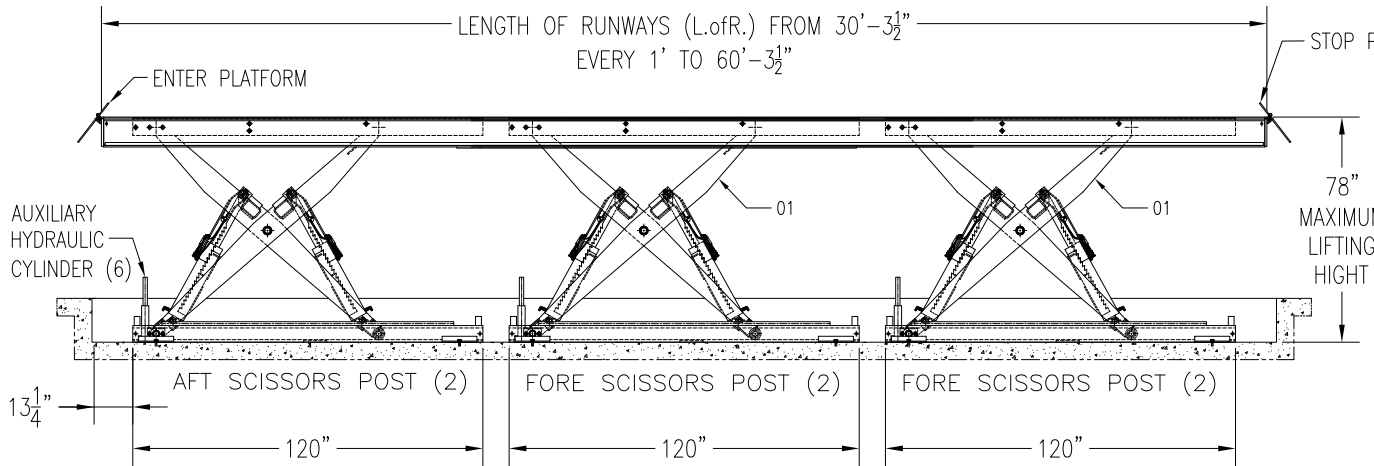
DWN.	JK	TITLE	SCISSORS LIFT MODEL: PKSC6.115		
APPR.	KK		P	K	S
			MAY 20/2014	DWG	PKSC6.115-FIG.01
					A

MODEL: PKSC6.115R (RECESSED)
CAPACITY: 115,000 LBS

LOCATION OF POWER UNIT STATION
TO BE DETERMINE BY END USER



SPECIFICATION		
CAPACITY	115,000LBS	
SIX SCISSORS POSTS C/W HYDRAULIC CYLINDERS	PLC BASED CONTROL SYSTEM	
6 POWER UNITS	STANDARD	6 x 2HP 3/230/460V 66/33A
C/W EL. MOTORS	OPTIONAL	6 x 2HP 3/575V 24A
SAFETY DEVICES ON EACH POST (MECHANICAL/AIR)		
AIR PRESSURE REQUIRMENT MIN. 80 PSI		
SPEED OF RISE 72 SEC.		
OVERALL LIFTING HEIGHT	78"	
RETRACTED HEIGHT	15"	
OVERALL WIDTH	9'-5"	
RUNWAY WIDTH	32-1/2"	
RUNWAYS LENGTH: FROM 30' EVERY 1' TO 60' LONG		

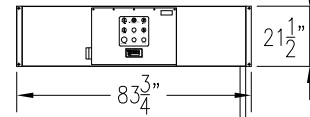


DWN.	JK	TITLE	SCISSORS LIFT MODEL: PKSC6.115R		
APPR.	KK		P	K	S
			MAY 20/2014	DWC	PKSC6.115R-FIG.01
					A

NOTE: DRAWING NOT TO SCALE.

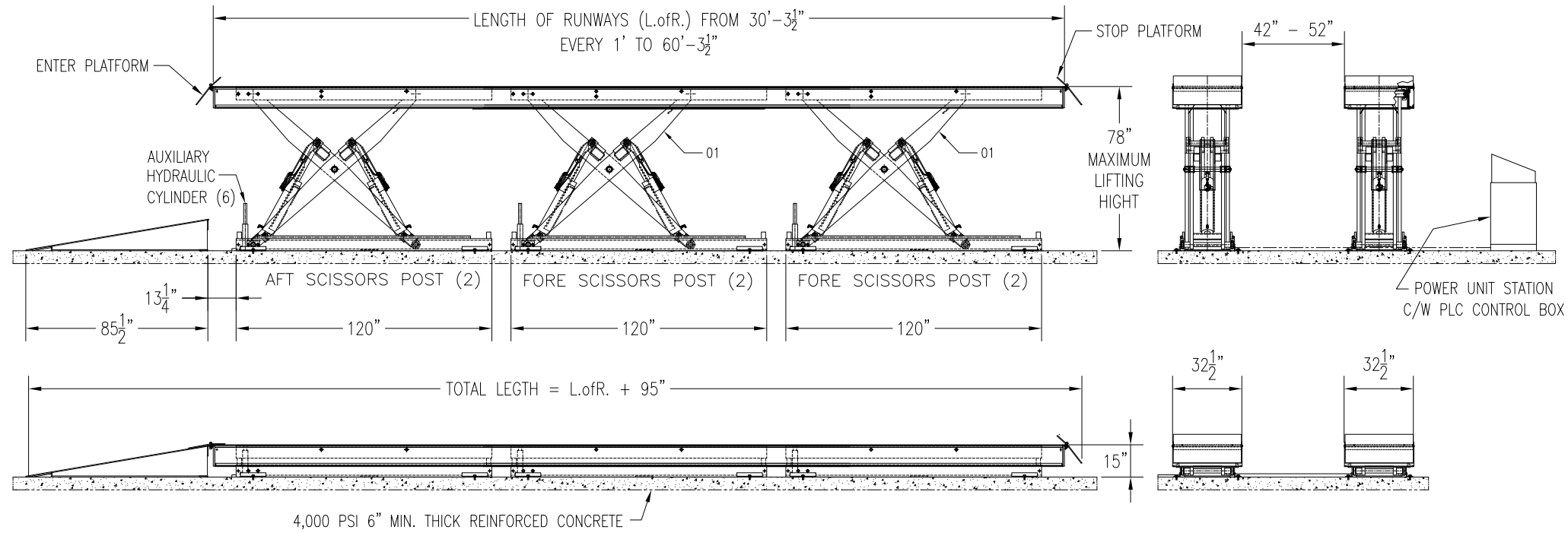
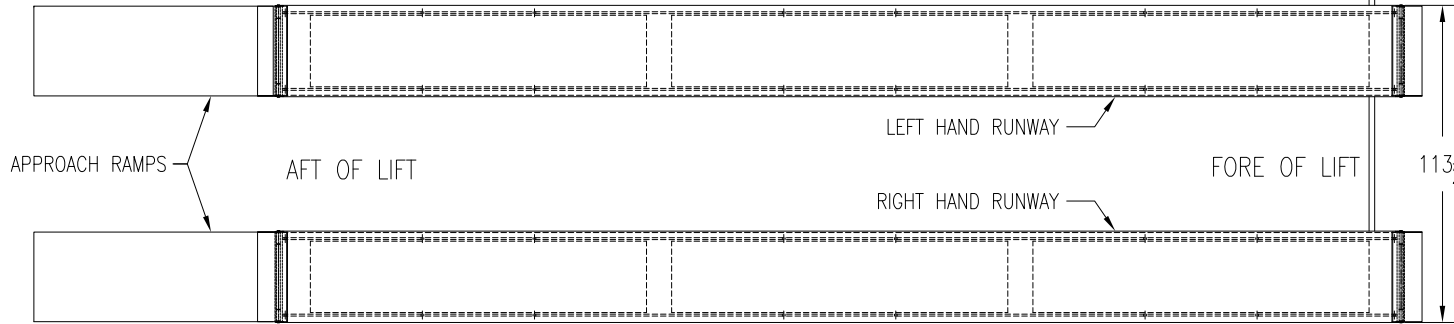
MODEL: PKSC.6-120
CAPACITY: 120,000 LBS

LOCATION OF POWER UNIT STATION
TO BE DETERMINE BY END USER



SPECIFICATION

CAPACITY	120,000LBS	
SIX SCISSORS POSTS C/W HYDRAULIC CYLINDERS	PLC BASED CONTROL SYSTEM	
6 POWER UNITS	STANDARD	6 x 2HP 3/230/460V 66/33A
C/W EL. MOTORS	OPTIONAL	6 x 2HP 3/575V 24A
SAFETY DEVICES ON EACH POST (MECHANICAL/AIR)		
AIR PRESSURE REQUIRMENT MIN. 80 PSI		
SPEED OF RISE 72 SEC.		
OVERALL LIFTING HEIGHT	78"	
RETRACTED HEIGHT	15"	
OVERALL WIDTH	9'-5"	
RUNWAY WIDTH	32-1/2"	
RUNWAYS LENGTH: FROM 30' EVERY 1' TO 60' LONG		



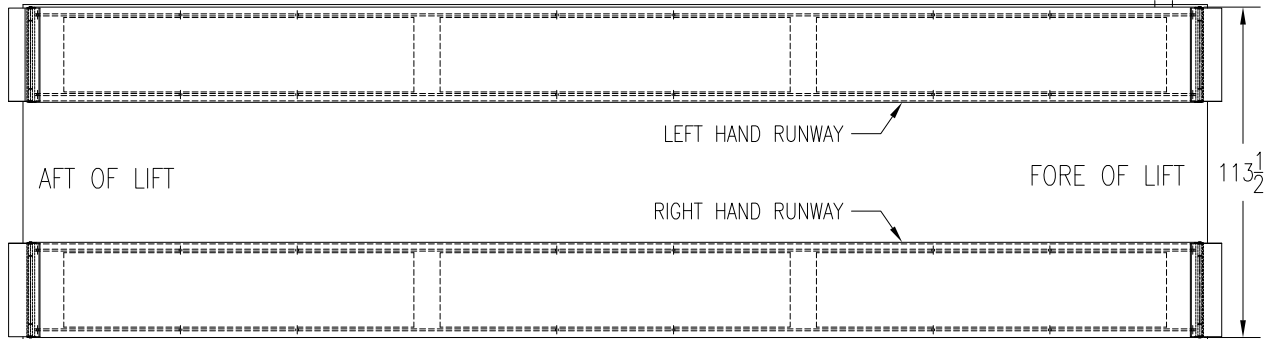
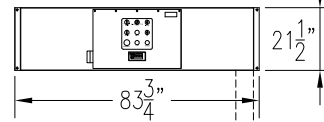
4,000 PSI 6" MIN. THICK REINFORCED CONCRETE

DWN.	JK	TITLE	SCISSORS LIFT MODEL: PKSC6.120		
APPR.	KK		P	K	S
			MAY 20/2014	DWG	PKSC6.120-FIG.01
					A

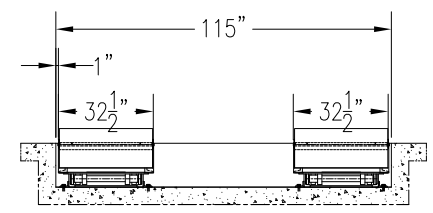
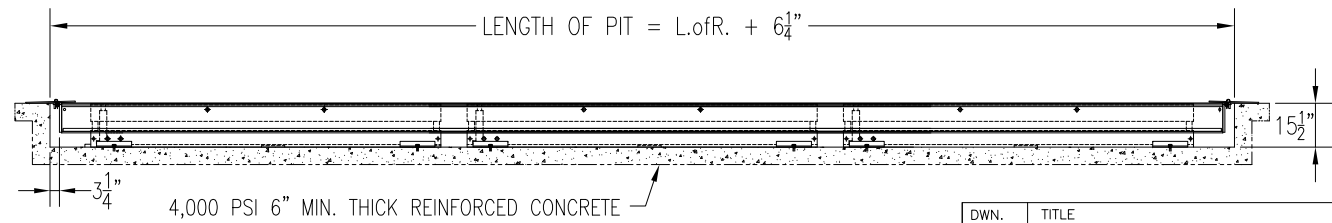
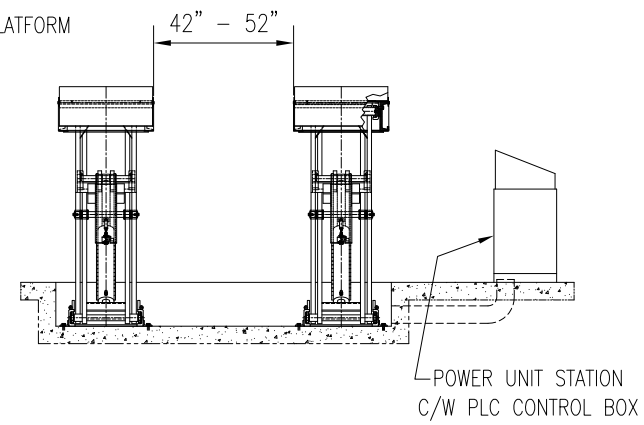
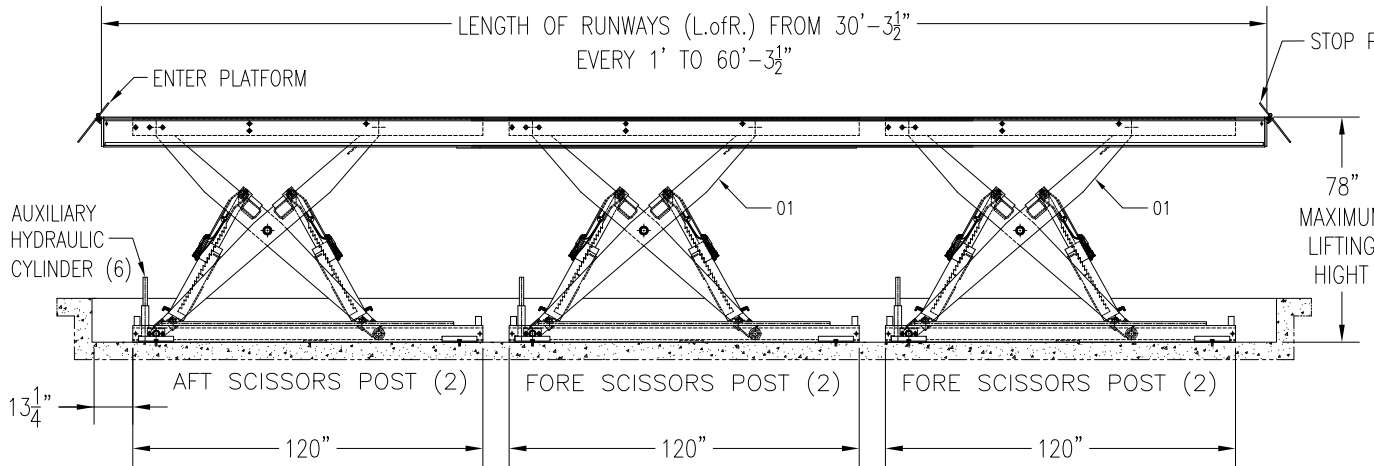
NOTE: DRAWING NOT TO SCALE.

MODEL: PKSC6.120R (RECESSED)
 CAPACITY: 120,000 LBS

LOCATION OF POWER UNIT STATION
 TO BE DETERMINE BY END USER



SPECIFICATION		
CAPACITY	120,000LBS	
SIX SCISSORS POSTS C/W HYDRAULIC CYLINDERS	PLC BASED CONTROL SYSTEM	
6 POWER UNITS	STANDARD	6 x 2HP 3/230/460V 66/33A
C/W EL. MOTORS	OPTIONAL	6 x 2HP 3/575V 24A
SAFETY DEVICES ON EACH POST (MECHANICAL/AIR)		
AIR PRESSURE REQUIRMENT MIN. 80 PSI		
SPEED OF RISE 72 SEC.		
OVERALL LIFTING HEIGHT		78"
RETRACTED HEIGHT		15"
OVERALL WIDTH		9'-5"
RUNWAY WIDTH		32-1/2"
RUNWAYS LENGTH: FROM 30' EVERY 1' TO 60' LONG		



NOTE: DRAWING NOT TO SCALE.

DWN.	JK	TITLE	SCISSORS LIFT MODEL: PKSC6.120R		
APPR.	KK	DWG	P	K	S
			MAY 20/2014	PKSC6.120R-FIG.01	A