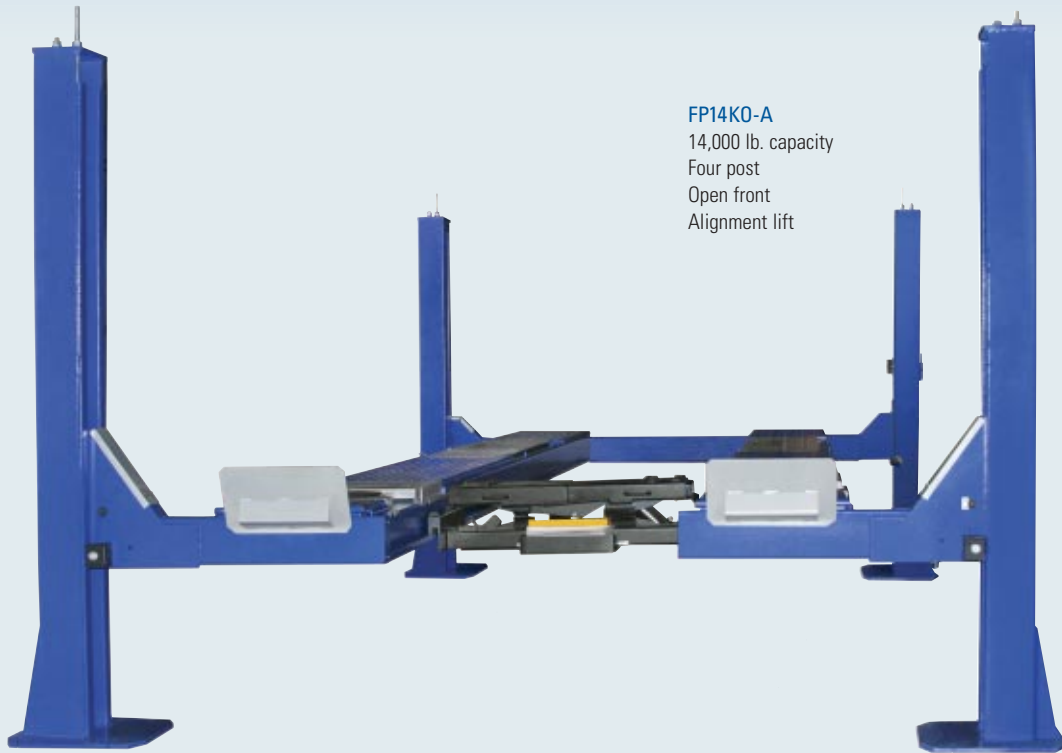


14,000 LB. FOUR POST OPEN FRONT ALIGNMENT LIFT

No obstructions! The open front design on our alignment lift allows total access to front wheel adjustment points and with the cylinder located under the track, there's no power beam, eliminating risk of damage to doors and mirrors. (Shown with optional rolling jack and turntables.)



FP14K0-A
14,000 lb. capacity
Four post
Open front
Alignment lift

SPECIFICATIONS:

	FP14K0-A
Lifting capacity	14,000 lbs.
Overall length w/ramps	24' 3"
Overall width	11' 6"
Width between posts	116"
Column height	7' 8"
Lifting height	73"
Maximum wheel base (2 wheel)	208"
Maximum wheel base (4 wheel)	158"
Runway width	20"
Width between runways	43"
Power pack	2hp 220/230 vac 20 amps

Features:

- ◆ 14,000 lb. lifting capacity
- ◆ Cable drive
- ◆ Single point pneumatic safety release mechanism
- ◆ 20" wide non-skid, diamond plate runways
- ◆ Powder-coated paint finish
- ◆ C-channel construction
- ◆ Hydraulic operation for minimum maintenance
- ◆ Three turntable positions for a wide range of vehicles
- ◆ Rear slip plates mounted on ring roller bearings
- ◆ Fully adjustable lock stops for easy leveling