

RAJ-8K Rolling Air Jack

The RAJ-8K is a high quality, low profile, air bag, scissor type rolling bridge jack with pneumatic operation that includes exclusive telescoping Universal Roller Body Bracket Assemblies designed for either High Mount or Low Mount applications. The RAJ-8K Jacks also come standard with stackable Pad & Height Adaptors, dual Air Bags, adjustable Pressure Regulator & Locking Height Position.



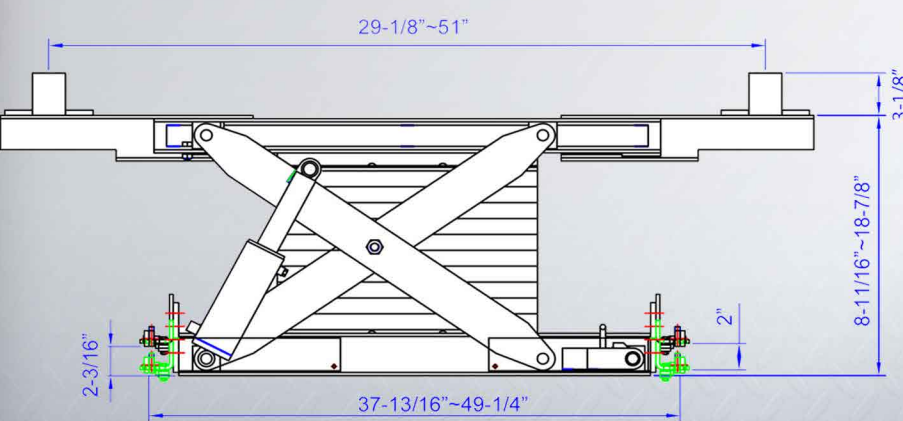
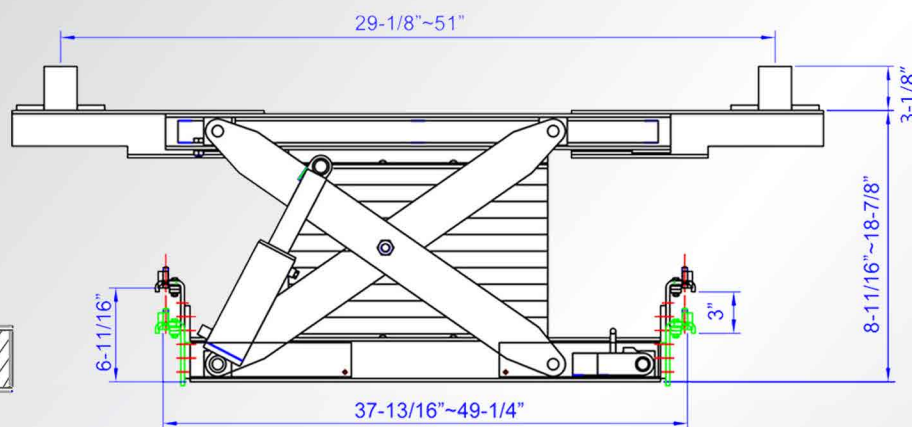
RAJ-8K-L & RAJ-8K-H Dimensions

RAJ-8K-L 'Low Mount' - Bracket Configurations

Low Mount' model incorporates adjustable height Roller Body Brackets suitable for Four Post Lifts using low profile jacks with medium to high mount jack rails, to provide enough clearances for proper operation when lift is fully lowered. Two adjustable mounting heights positions available.

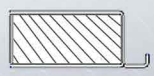


Ideal for the higher rail on the track

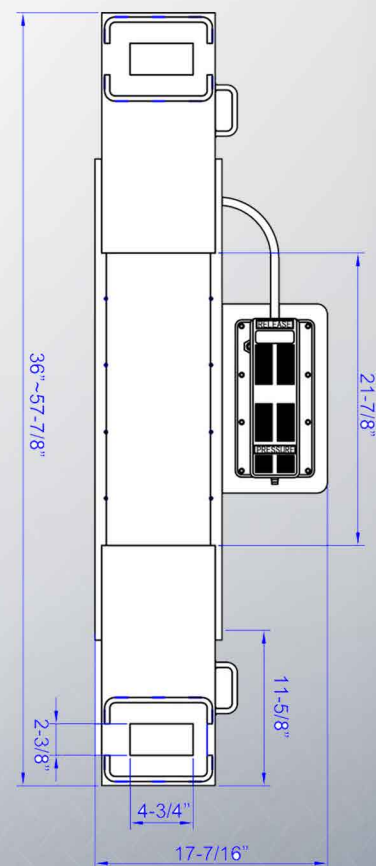


RAJ-8K-H 'High Mount' - Bracket Configurations

'High Mount' model incorporates adjustable height Roller Body Brackets suitable for Four Post lifts using low profile jacks with low mount jack rails and high profile runways, to provide enough clearances for proper operation ad from touching the ground when fully lowered. Two adjustable mounting heights positions available.



Ideal for the lower rail on the track



Features

- Universal Roller Body design with dual 'spring loaded' precision Roller Bearing & Side Guide Wheels with adjustable Height for Low, Medium & High Jack Rail configurations.
- Low Profile configuration
- Rolls on top edge of Jack Rail for smooth maneuverability
- Dual Height Telescoping Support Arms
- Pneumatic operation w/ adjustable Pressure Regulator
- Dual Air Bags
- Stackable Pad & Height Adaptors – 1-5/16" & 5" Height Adaptors (1 Pair each)
- Ships in durable Wooden Crate

Specifications

Specifications	RAJ-8K
• Lift Capacity	8,000 lbs.
• Telescoping Support Arms Min./Max	37-3/4" - 49-1/4" (Roller Body Wheel Center)
• Lifting Arms - Min./Max.	29-1/8" - 18-7/8"
• Lifting Height - Min./Max.	9" - 7"
• 'High Mount'- adjustable Roller Body Bracket Height	2"
• 'Low Mount'- adjustable Roller Body Bracket Height	3"
• Rubber Adapter Heights	3-1/8" (1 Pair)
• Locking Positions	2 each
• Required Power	100 - 125 PSI / 10-20 CFM
• Ship Weight	325 lbs.
• Package Size	42" x 23.5" x 14"

Recommended RAJ-8K model & Lift Combo

Lift Model	RAJ-8K-H	RAJ-8K-L
SL-12K-A	O	
FP12K-K		O
FP14K		X
FP14KA	X	
FP14K-C		X
FP14KA-C	X	
FP14KO-A	X	

X = Recommended / O = Acceptable