

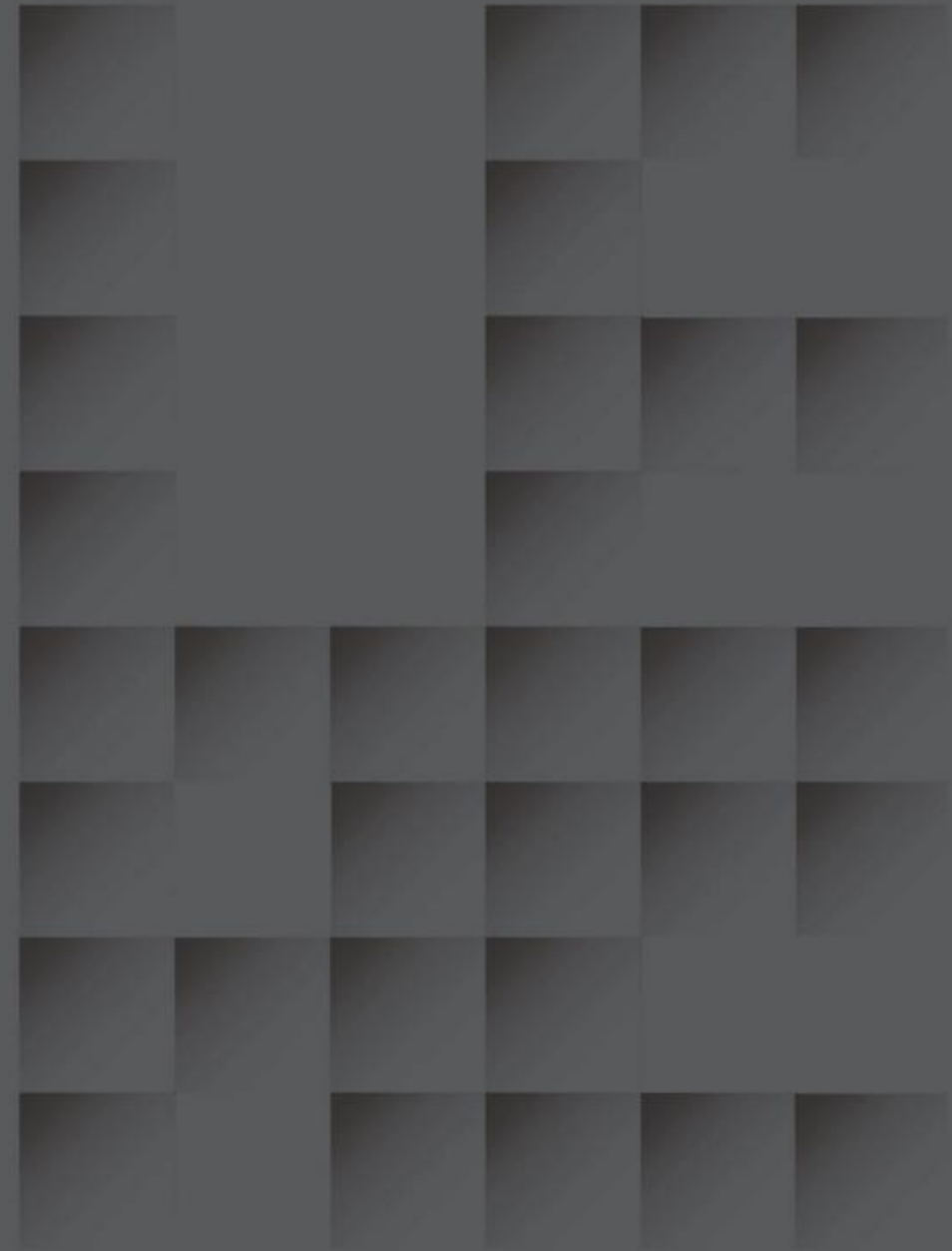
N E T W O R K



Weldon Loo  
Phone: 0421 555 266

Zoomtec Pty Ltd  
Melbourne, Australia

Web: [www.zoomtec.com.au](http://www.zoomtec.com.au)  
Email: [info@zoomtec.com.au](mailto:info@zoomtec.com.au)



*innovative leaders bring success*

C A B L I N G

# TABLE OF CONTENTS

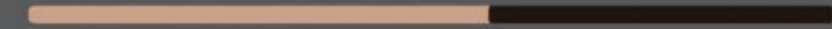
Cabinets & Racks 01~45



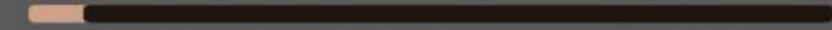
PDU 46~56



Network Cabling 57~108

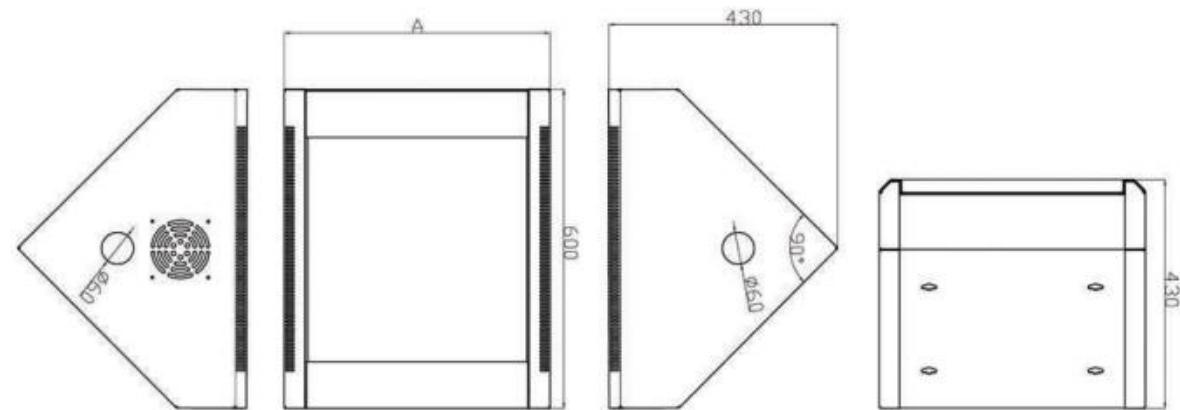


HDMI Cable 109~112



### General description

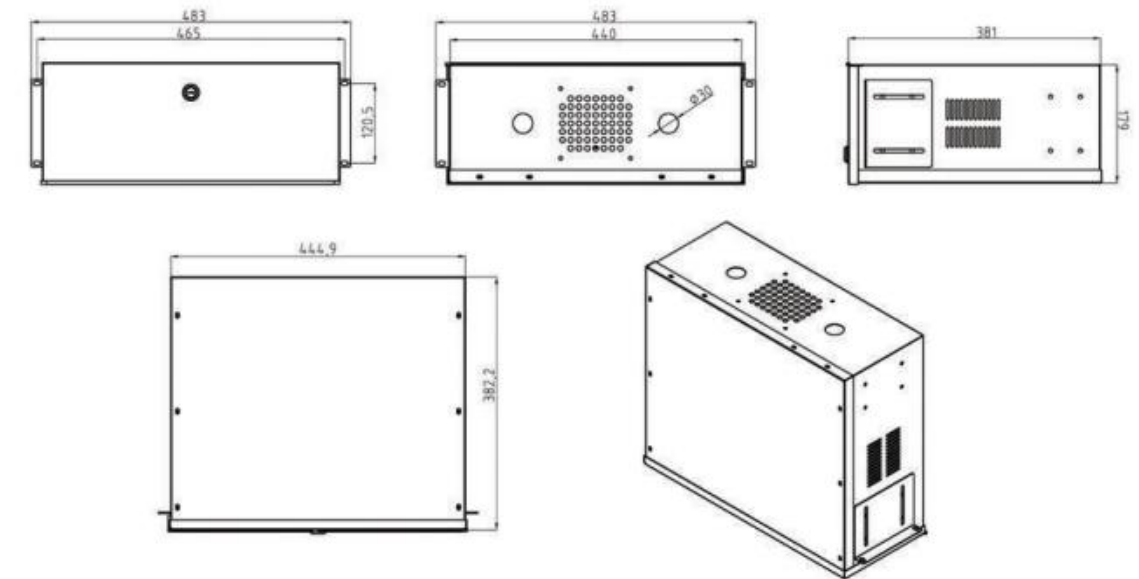
- ▣ The triangle structure could reduce the space and install to corner of wall, compatible with 19" standard equipments
- ▣ 5mm tempered glass front door with over 180 turning degree
- ▣ Removable side panel,easy to install and lock optional
- ▣ Cable entry on the top and bottom
- ▣ L-shaped mounting profile,easy to adjust on the mounting rail
- ▣ Fan cutout on the top,easy to install fan
- ▣ Eight installing holes on the back panel,easy to fix on the wall
- ▣ Various accessories for option



S/N	LE-CW
Material	■ SPCC quality cold rolled steel ■ Thickness: 1.2mm ■ Tempered glass Thickness:5mm
Loading Capacity	Static loading: 60kg
Degree of protection	IP20
Surface finish	Degreasing,Pickling,Phosphating,Powder Coated
Product specification	4U-12U
Width	600mm
Depth	430mm,600mm
Color	Ral9004; Ral9005; Ral7035

### General description

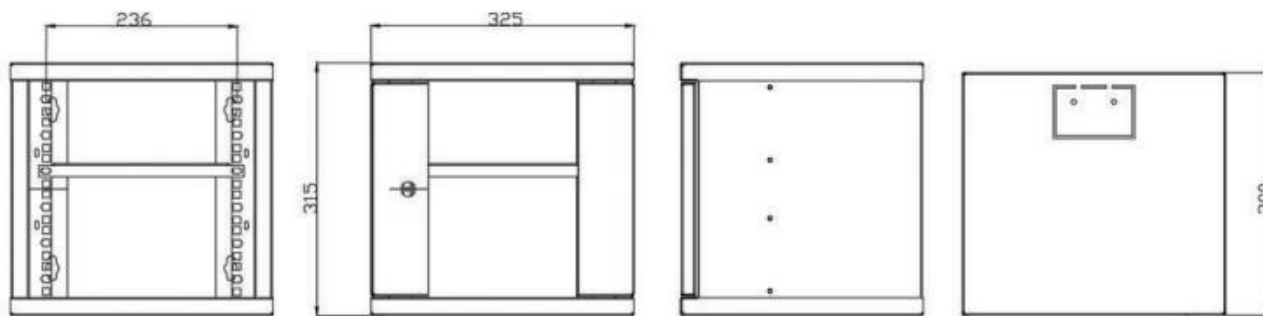
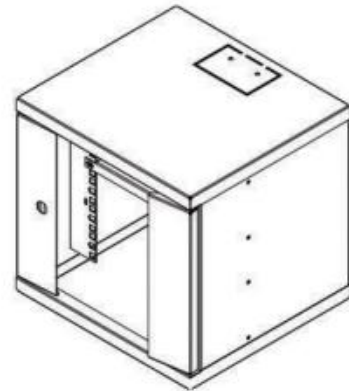
- ▣ The front door open by hinge with lock
- ▣ Two side panel with air vents help to keep cool inside
- ▣ Cable entry with rubber bumpers on the back panel
- ▣ Fan cutout on the back panel,easy to install fan
- ▣ Easy to finstall vertically or horizontally with bracket



S/N	LE-DVR
Material	■ SPCC quality cold rolled steel ■ Thickness: 1.2mm
Loading Capacity	Static loading: 60kg
Degree of protection	IP20
Surface finish	Degreasing,Pickling,Phosphating,Powder Coated
Size	18x18x5" 21x21x8" 21x24x8"
Color	Ral9004; Ral9005; Ral7035

### General description

- Single section Mini cabinets, compatible with 10" standard equipments
- 5mm tempered glass front door with over 180 turning degree
- Cable entry on the top and bottom
- L-shaped mounting profile, easy to install accessories
- Four installing holes on the back panel, easy to fix on the wall
- Various accessories for option



S/N	LE-MW
Material	SPCC quality cold rolled steel Thickness: 1.2mm Tempered glass Thickness: 5mm
Loading Capacity	Static loading: 15kg
Surface finish	Degreasing, Pickling, Phosphating, Powder Coated
Product specification	4U, 6U, 9U, 12U
Width	325mm
Depth	300mm
Color	Ral9004; Ral9005; Ral7035

### General description

- Strong and stable framework of cabinet, which has the mounting holes
- The side panel and rear panel are the double-panel designed, the panels are fixed by the bolt from the inner
- Between the inside and outside side panel has the inter space, which provides the channel to ventilate and support the enclosure internal heat exchange, and also can reduce the influence of the sunlight illumination
- The roof panel has the awning all around stretches out to keep from the rain, the bottom of awning have holes to keep the integrity well ventilated, which guarantees the air exchange
- The bottom have cable entrance with rubber ring
- The enclosure is the 19" structure, also can install the mounting panel
- The top loaded with fans to ventilate, two sides panels have the blind holes to output heat



S/N	LE-OW
Material	SPCC quality cold rolled steel Thickness: mounting profile: 2.0mm, others: 1.5mm
Loading Capacity	Static loading: 100kg
Degree of protection	IP65
Surface finish	Degreasing, Pickling, Phosphating, Powder Coated
Product specification	6U-18U
Width	600mm
Depth	450mm, 600mm
Color	Ral7035SN

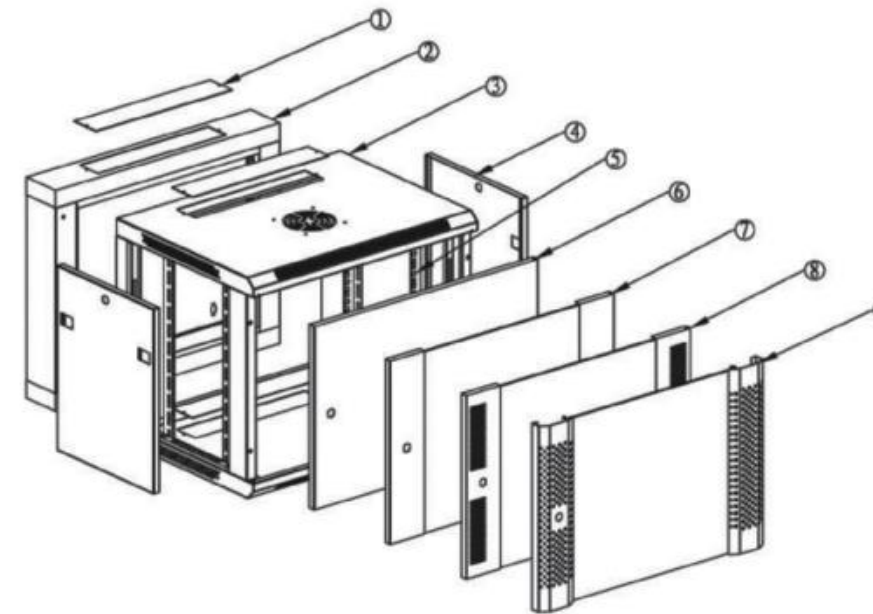


### General description

- Welded frame,double section,compatible with 19" standard equipments
- 5mm tempered glass front door with over 180 turning degree
- Removable side panel,easy to install and lock optional,second section can open ,easy to install equipments
- Cable entry on the top and bottom,the same as second section
- L-shaped mounting profile,easy to adjustable on the mounting rail
- Fan cutout on the top,easy to install fan
- Second section with four mounting holes ,easy to fix on the wall
- Various accessories for option



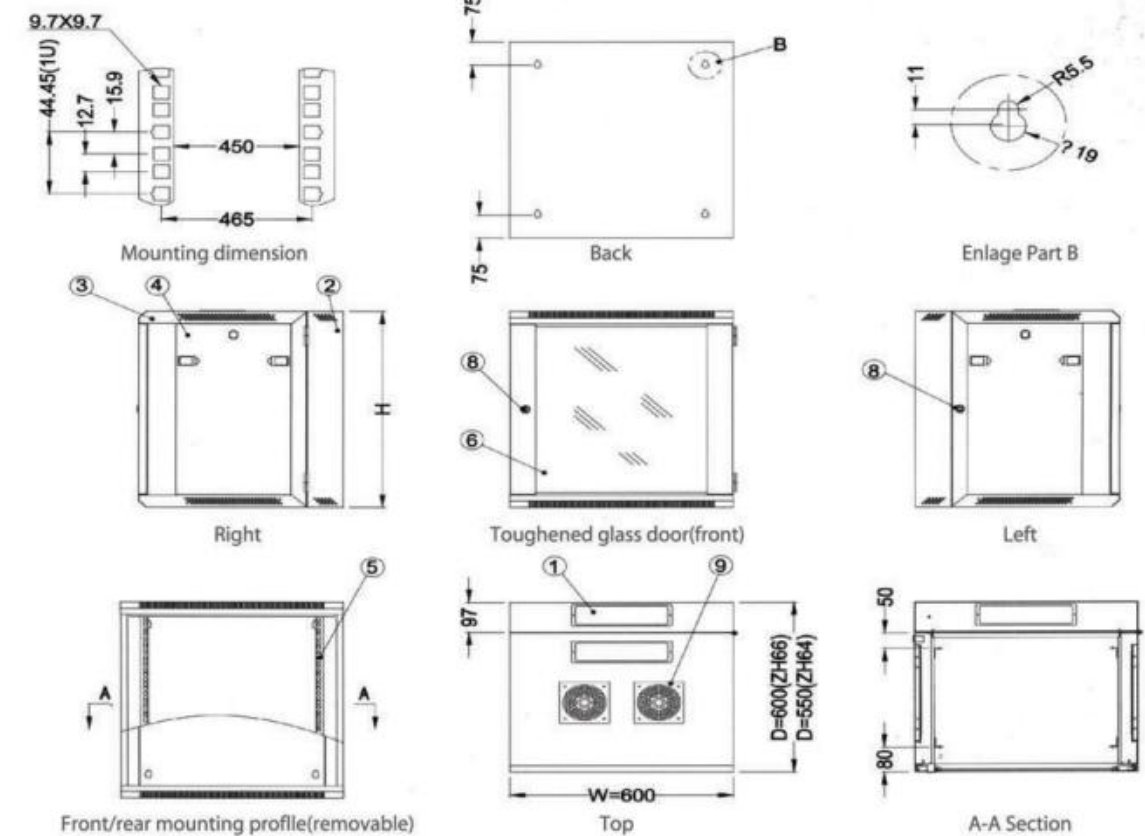
S/N	LE-WD1
Material	SPCC quality cold rolled steel Thickness:1.2mm Tempered glass Thickness:5mm
Loading Capacity	Static loading: 60kg
Degree of protection	IP20
Surface finish	Degreasing,Pickling,Phosphating,Powder Coated
Product specification	4U-27U
Width	600mm
Depth	550mm, 600mm
Color	Ral9004; Ral9005; Ral7035



### Main Structure

- Cable entry plate
- Back box(swing)
- Frame
- Side panel
- Mounting profile(L-shaped)
- Steel front door
- Tempered glass front door
- Tempered glass front door with vented border
- Tempered glass front door with meshed border

### Main Dimension

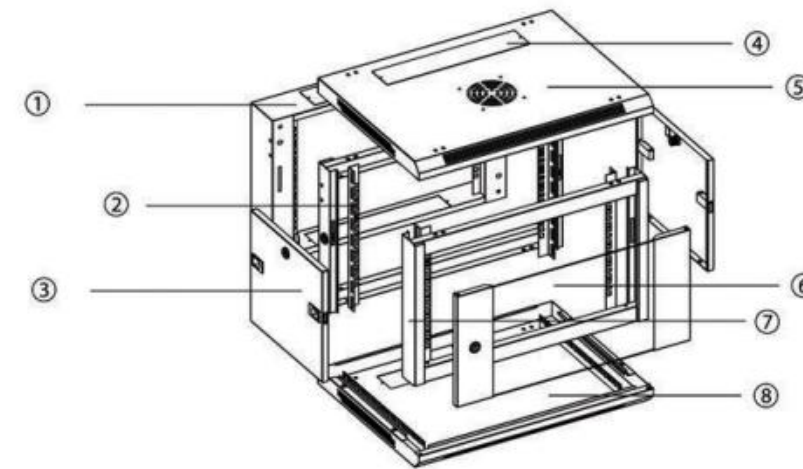


### General description

- ▣ Steel frame with assistant profile unassembled structure,compatible with 19" standard equipments
- ▣ 5mm tempered glass front door with over 180 turning degree
- ▣ Removable side panel,easy to install and lock optional,second section can open ,easy to install equipments
- ▣ Cable entry on the top and bottom,the same as second section
- ▣ L-shaped mounting profile,easy to adjustable on the mounting rail
- ▣ Fan cutout on the top,easy to install fan
- ▣ Second section with four mounting holes ,easy to fix on the wall
- ▣ Various accessories for option
- ▣ Flat packing,save the container space,easy to transport



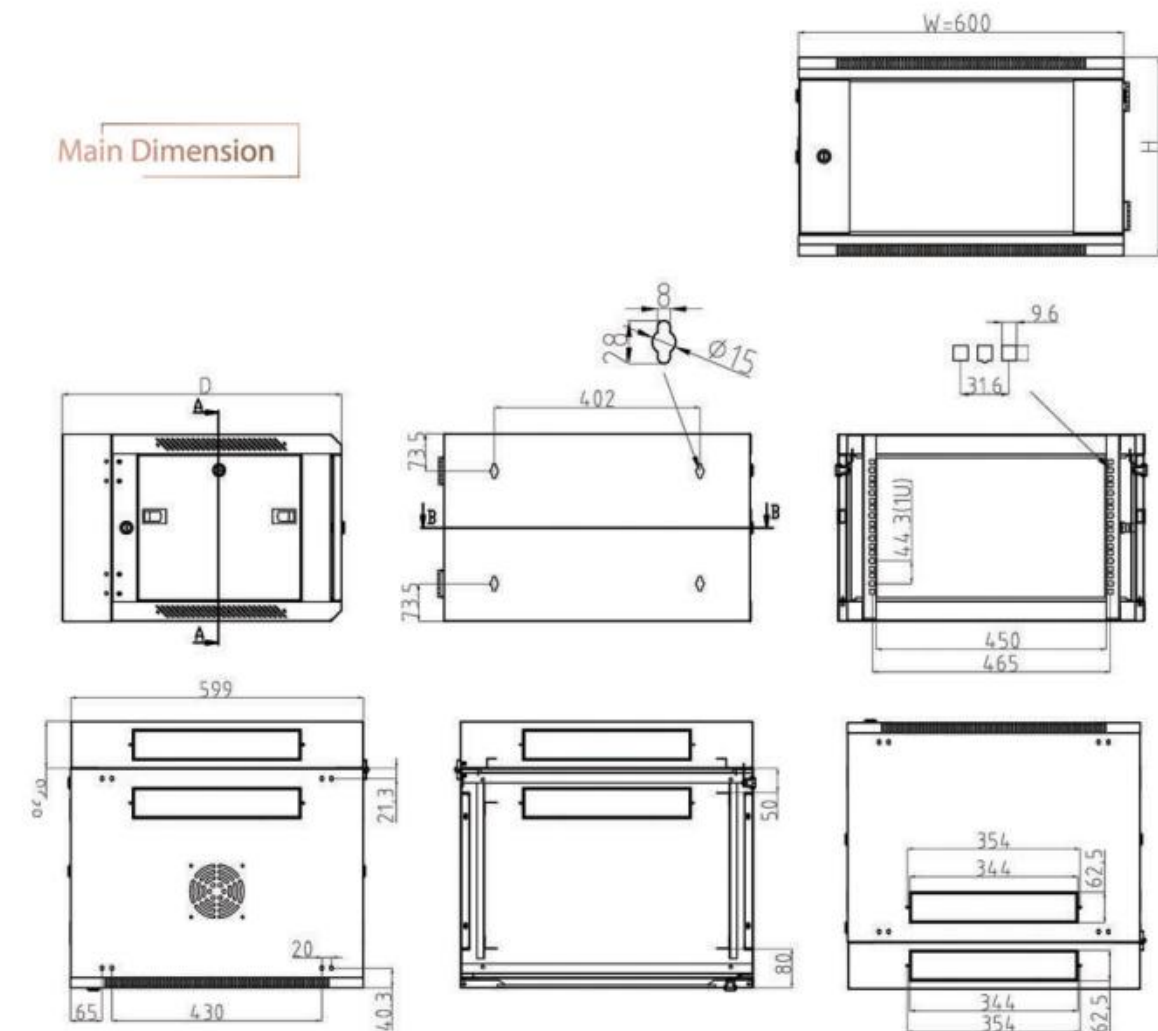
S/N	LE-WD2
Material	▪ SPCC quality cold rolled steel ▪ Thickness:1.2mm ▪ Tempered glass Thickness:5mm
Loading Capacity	Static loading: 60kg
Degree of protection	IP20
Surface finish	Degreasing,Pickling,Phosphating,Powder Coated
Product specification	4U-18U
Width	600mm
Depth	550mm, 600mm
Color	Ral9004; Ral9005; Ral7035



### Main Structure

- 1 Back box(swing)
- 2 Mounting profile(L-shaped)
- 3 Side panel
- 4 Cable entry plate
- 5 Top
- 6 Tempered glass front door
- 7 Frme
- 8 Bottom

### Main Dimension



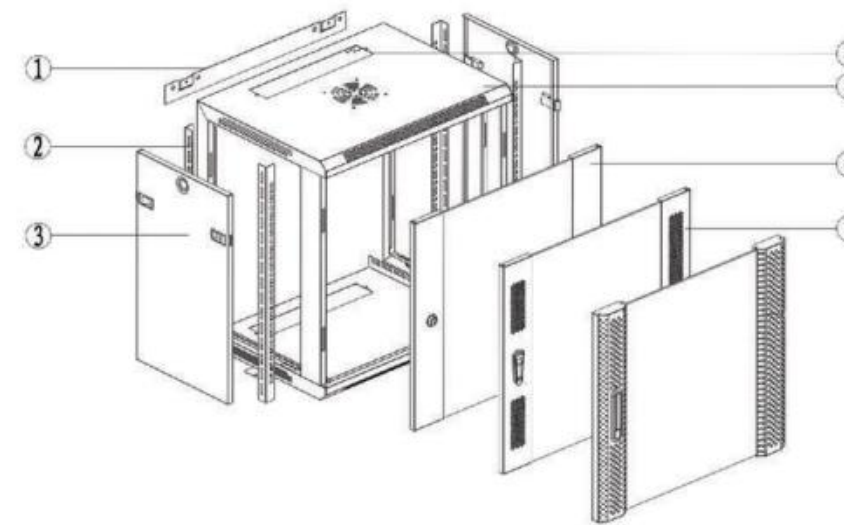


### General description

- ▣ Welded frame, single section, compatible with 19" standard equipments
- ▣ 5mm tempered glass front door with over 180 turning degree
- ▣ Removable side panel, easy to install and lock optional
- ▣ Cable entry on the top and bottom
- ▣ L-shaped mounting profile, easy to adjustable on the mounting rail
- ▣ Fan cutout on the top, easy to install fan
- ▣ Installing back panel, easy to fix on the wall
- ▣ Various accessories for option



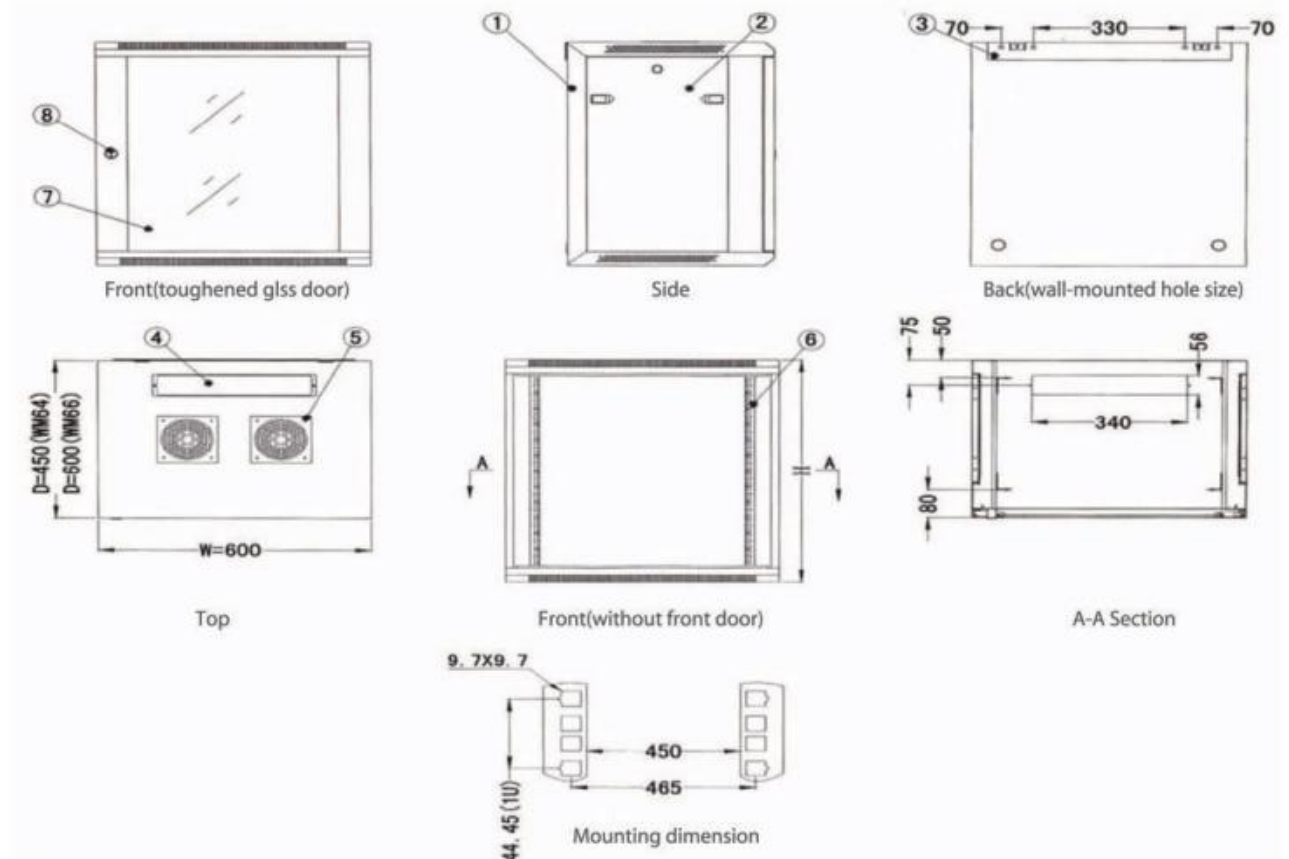
S/N	LE-WS1
Material	▣ SPCC quality cold rolled steel ▣ Thickness: 1.2mm ▣ Tempered glass Thickness: 5mm
Loading Capacity	Static loading: 60kg
Degree of protection	IP20
Surface finish	Degreasing, Pickling, Phosphating, Powder Coated
Product specification	4U-27U
Width	600mm
Depth	450mm, 600mm
Color	Ral9004; Ral9005; Ral7035



### Main Structure

- 1 Installing backboard
- 2 Mounting profile(L-shaped)
- 3 Side panel
- 4 Cable entry plate
- 5 Top
- 6 Tempered glass front door
- 7 Tempered glass front door vented border

### Main Dimension

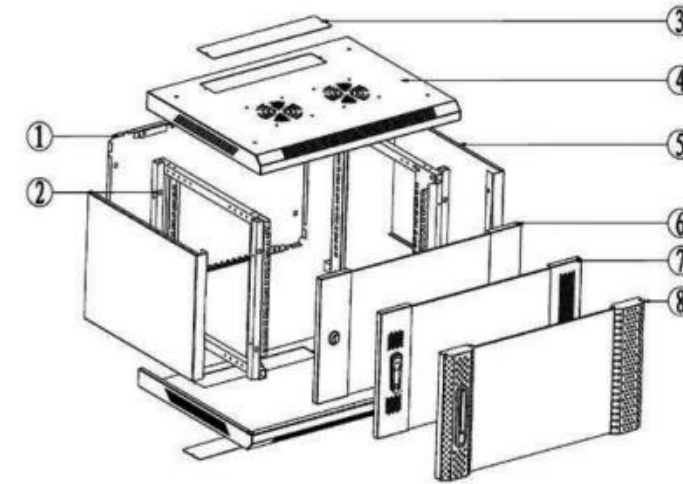


### General description

- ▣ Steel frame with assistant profile unassembled structure
- ▣ Single section,compatible with 19" standard equipments
- ▣ 5mm tempered glass front door with over 180 turning degree
- ▣ Cable entry on the top and bottom
- ▣ L-shaped mounting profile,easy to adjustable on the mounting rail
- ▣ Fan cutout on the top,easy to install fan
- ▣ Back panel with four mounting holes,easy to fix on the wall
- ▣ Various accessories for option
- ▣ Flat packing,save the container space,easy to transport



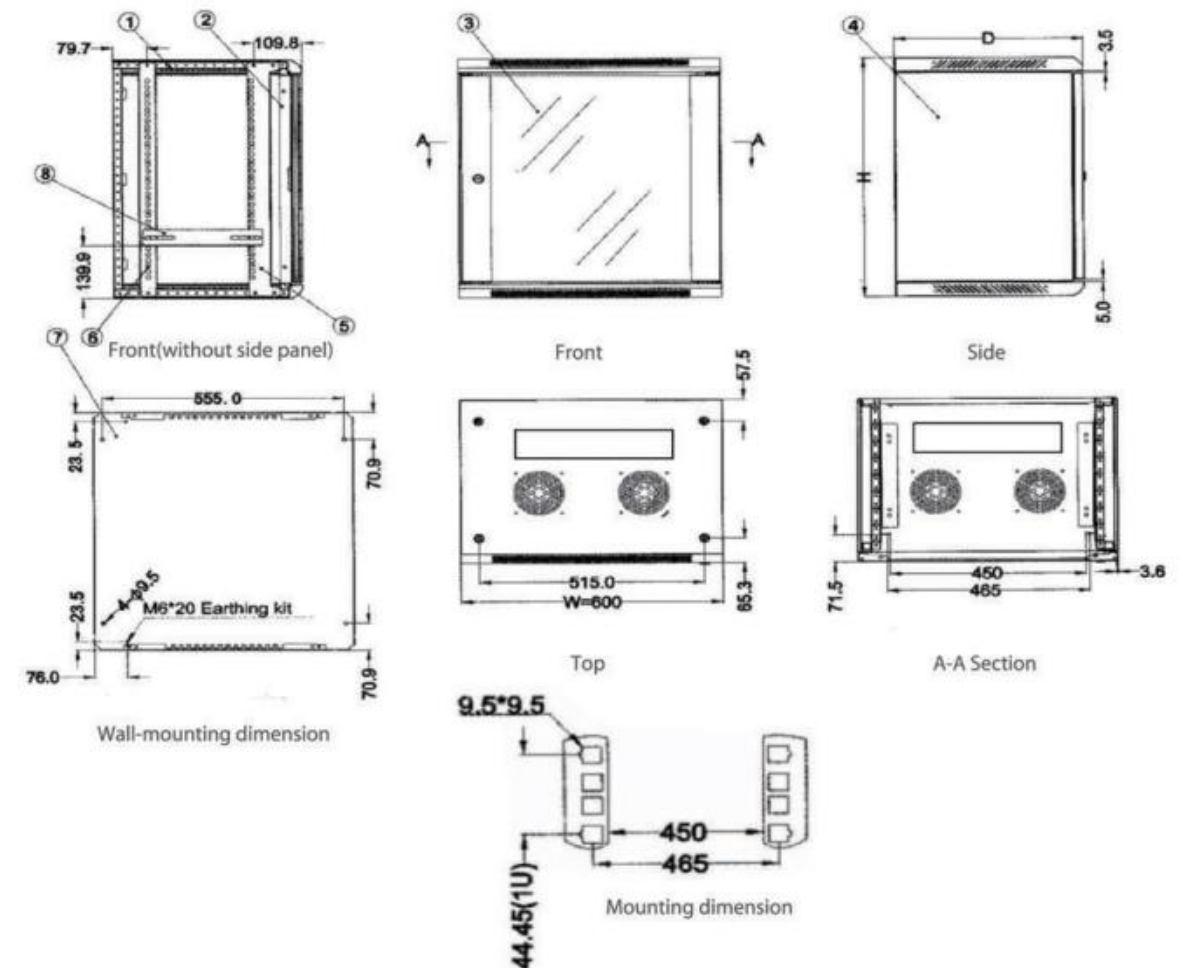
S/N	LE-WS2
Material	■ SPCC quality cold rolled steel ■ Thickness:1.2mm ■ Tempered glass Thickness:5mm
Loading Capacity	Static loading: 60kg
Degree of protection	IP20
Surface finish	Degreasing,Pickling,Phosphating,Powder Coated
Product specification	4U-18U
Width	600mm
Depth	450mm, 600mm
Color	Ral9004; Ral9005; Ral7035



### Main Structure

- 1 Installing Backboard
- 2 Mounting profile(L-shaped)
- 3 Cable entry plate
- 4 Top
- 5 Side panel
- 6 Tempered glass front door
- 7 Tempered glass front door with vented border
- 8 Tempered glass front door with meshed border

### Main Dimension



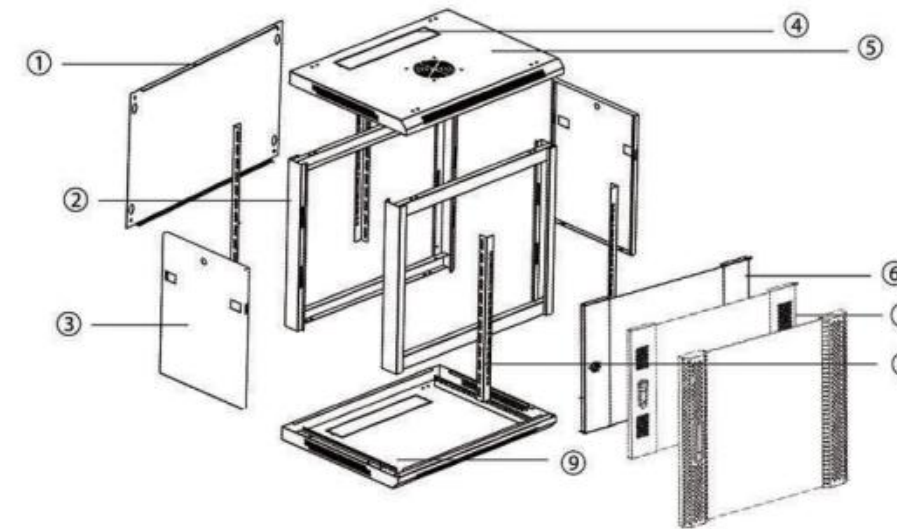


### General description

- ▣ Steel frame with assistant profile unassembled structure
  - ▣ Single section, compatible with 19" standard equipments
  - ▣ 5mm tempered glass front door with over 180 turning degree
  - ▣ Removable side panel, easy to install and lock optional
  - ▣ Cable entry on the top and bottom
  - ▣ L-shaped mounting profile, easy to adjustable on the mounting rail
  - ▣ Fan cutout on the top, easy to install fan
  - ▣ Back panel with four mounting holes, easy to fix on the wall
- ▣ Various accessories for option
  - ▣ Flat packing, save the container space, easy to transport



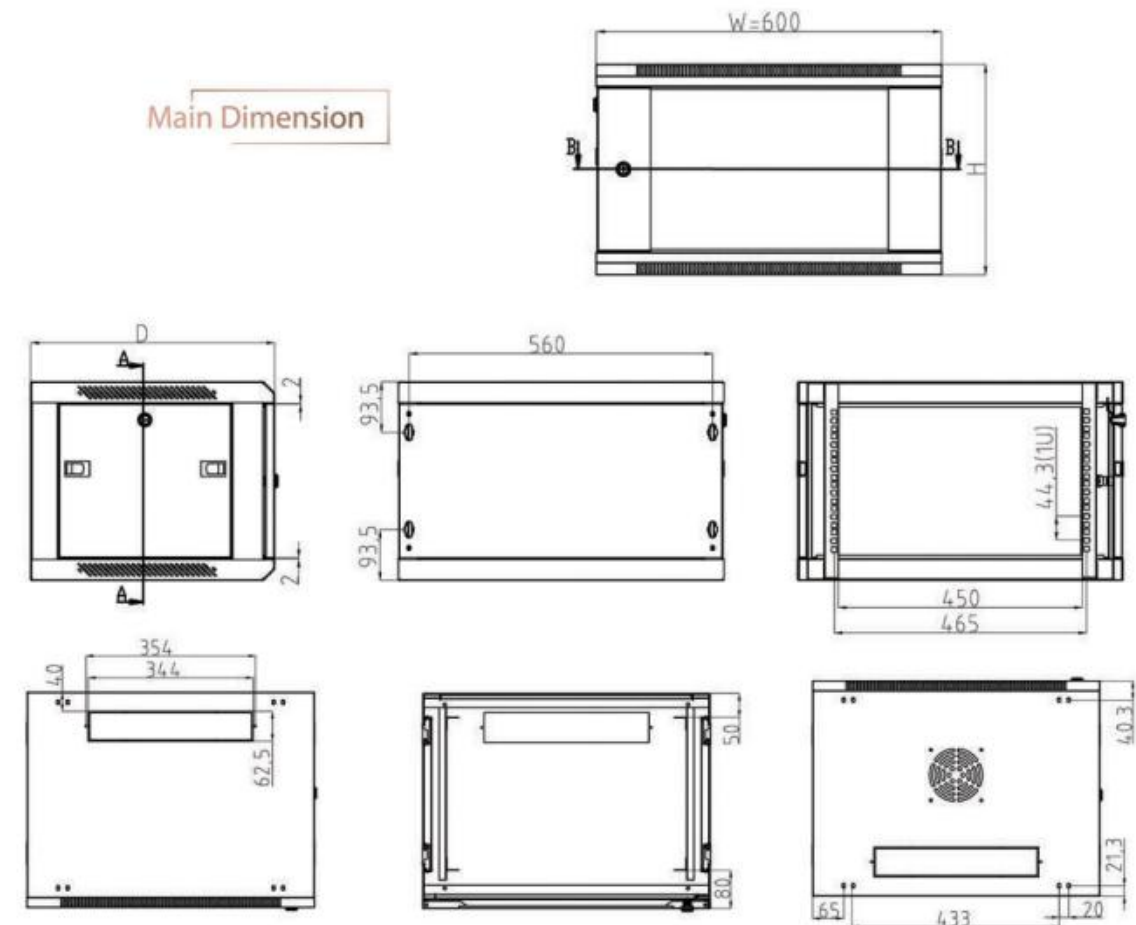
S/N	LE-WS3
Material	▣ SPCC quality cold rolled steel ▣ Thickness: 1.2mm ▣ Tempered glass Thickness: 5mm
Loading Capacity	Static loading: 100kg
Degree of protection	IP20
Surface finish	Degreasing, Pickling, Phosphating, Powder Coated
Product specification	4U-18U
Width	600mm
Depth	450mm, 600mm
Color	Ral9004; Ral9005; Ral7035



### Main Structure

- 1 Installing backboard
- 2 Frem
- 3 Side panel
- 4 Cable entry plate
- 5 Top
- 6 Tempered glass front door
- 7 Tempered glass front door vented border
- 8 Mounting profile(L-shaped)
- 9 Bottom

### Main Dimension

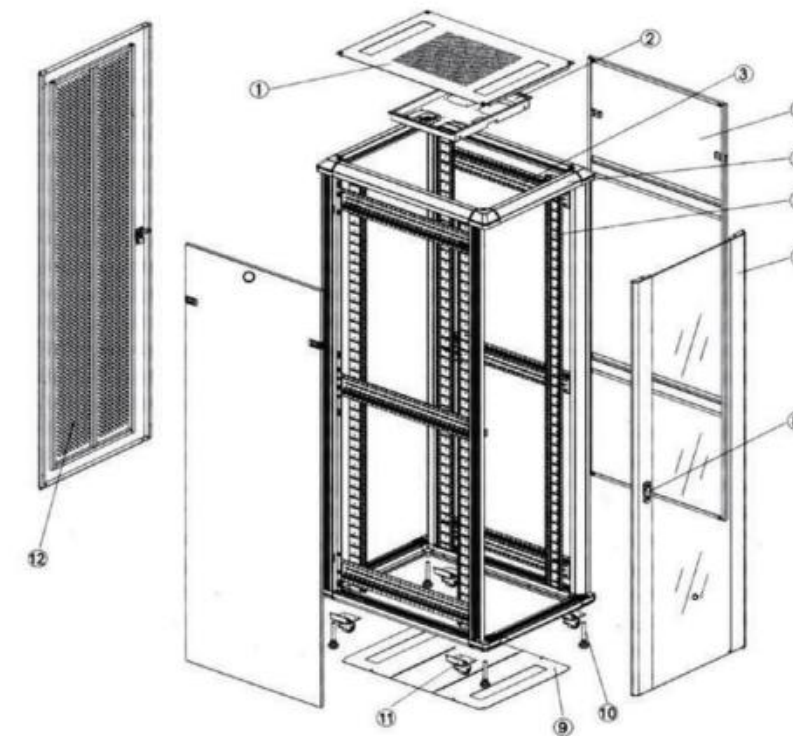


### General description

- Aluminum profiled frame server cabinet, light weight and easy to transfer
- Tempered glass front door and vented rear door with excellent ventilation
- Removable side panels, with lock optional
- Adjustable cable entry on top and bottom cover
- Flat packing is available to save the container space



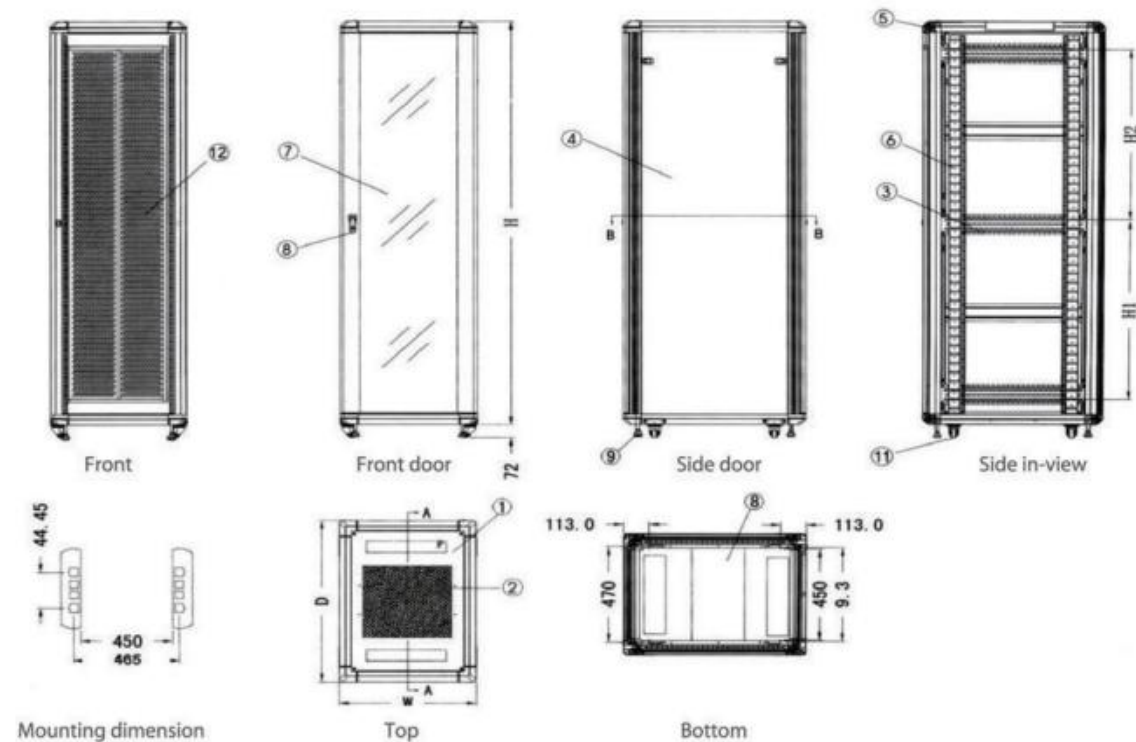
S/N	LE-EA
Material	■ Frame:Aluminum ■ SPCC quality cold rolled steel ■ Thickness:mounting Profile:2.0mm,Others:1.2mm ■ Tempered glass Thickness:5mm
Loading Capacity	Static loading: 1000kg (on the adjustable feet)
Degree of protection	IP20
Surface finish	Degreasing,Pickling,Phosphating,Powder Coated
Product specification	18U-47U
Width	600mm, 800mm
Depth	600mm, 800mm, 900mm, 1000mm, 1200mm
Color	Ral9004; Ral9005; Ral7035



### Main Structure

- Top cover
- Fan unit(option)
- Mounting angle
- Side panel(option lock)
- Aluminum alloy frame
- Mounting profile
- Tempered glass(front door)
- Advanced moon-shaped lock
- Bottom panel
- Adjustable feet
- 2" castor
- Perforated door(rear door)

### Main Dimension



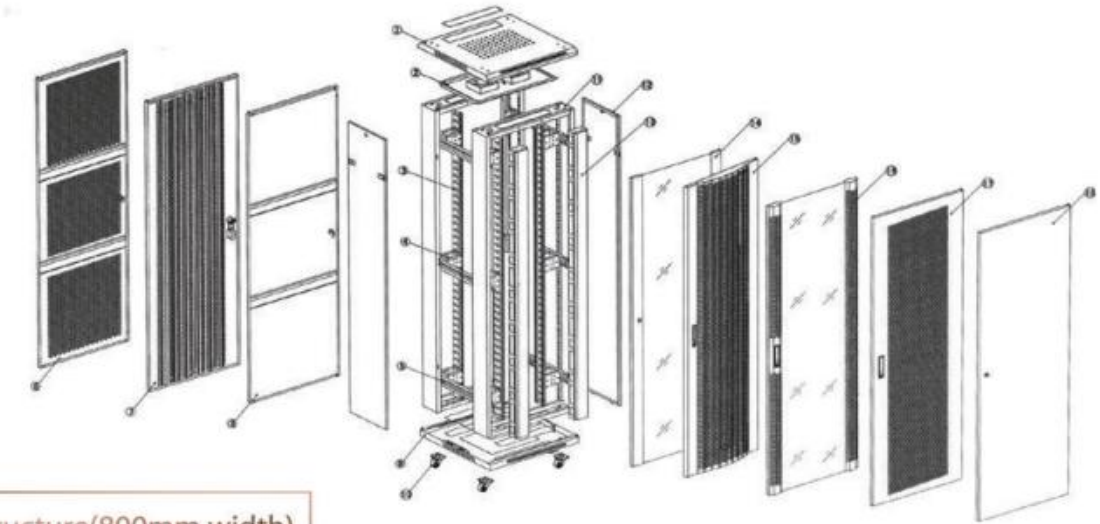


### General description

- ▣ Classic model, disassembled structure, can be flat packing and easy to transport
- ▣ Tempered glass front door with advanced spring lock, Steel rear door with small round lock
- ▣ Removable side panel with latches, easy to install, optional lock
- ▣ Cable entry on the top and bottom; easy to manager cable
- ▣ Adjustable feet and castors are available simultaneously
- ▣ S-shaped mounting profile, free to move forward and back
- ▣ Various optional accessories for common using

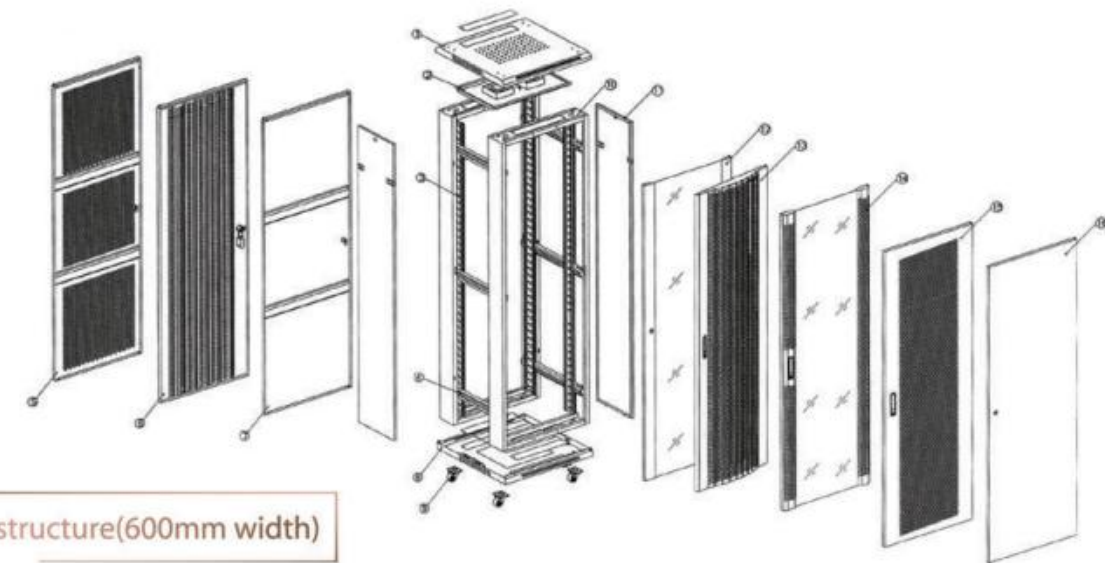


S/N	LE-NA
Material	■ SPCC quality cold rolled steel ■ Thickness: mounting Profile: 2.0mm, Others: 1.2mm ■ Tempered glass Thickness: 5mm
Loading Capacity	Static loading: 800kg (on the adjustable feet)
Degree of protection	IP20
Surface finish	Degreasing, Pickling, Phosphating, Powder Coated
Product specification	18U-47U
Width	600mm, 800mm
Depth	600mm, 800mm, 900mm, 1000mm, 1200mm
Color	Ral9004; Ral9005; Ral7035



### Main structure(800mm width)

- |                             |                                  |                                 |                                |
|-----------------------------|----------------------------------|---------------------------------|--------------------------------|
| 1 Top cover                 | 2 Fan unit                       | 3 Mounting profile              | 4 Spacer                       |
| 5 Mounting angle            | 6 Rear door with hexagonal holes | 7 High-density vented rear door | 8 Steel rear door without hole |
| 9 Bottom panel              | 10 Heavy duty castor             | 11 Frame                        | 12 Side panel                  |
| 13 Cable management slot    | 14 Tempered glass front door     | 15 Arc vented front door        | 16 05J border glass front door |
| 17 Single vented front door | 18 Steel front door              |                                 |                                |



### Main structure(600mm width)

- |                             |                                 |                                |                              |
|-----------------------------|---------------------------------|--------------------------------|------------------------------|
| 1 Top cover                 | 2 Fan unit                      | 3 Mounting profile             | 4 Mounting angle             |
| 5 Door with hexagonal holes | 6 High-density vented rear door | 7 Steel rear door without hole | 8 Bottom panel               |
| 9 Heavy duty castor         | 10 Frame                        | 11 Side panel                  | 12 Tempered glass front door |
| 13 Arc vented front door    | 14 05J border glass front door  | 15 Single vented front door    | 16 Steel front door          |

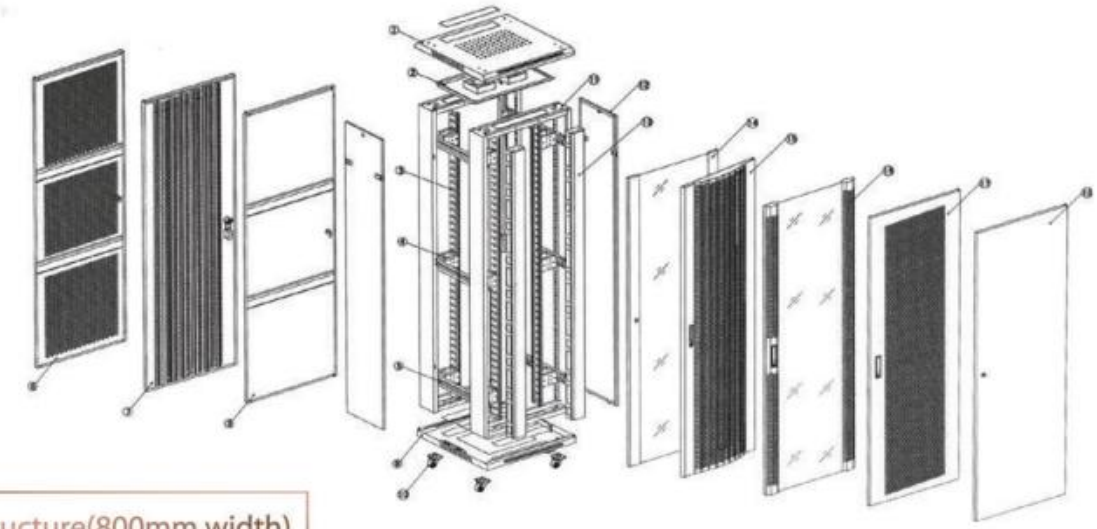


### General description

- ▣ Excellence quality with disassembled structure,can be flat packing and easy to transport
- ▣ Tempered glass front door with arc shaped vented door border and advanced spring lock , steel rear door with small round lock,optional other lock
- ▣ Removable side panel with latches,easy to install, optional lock
- ▣ Cable entry on the top and bottom;easy to manager cable
- ▣ Adjustable feet and castors are available simultaneously
- ▣ S-shaped mounting profile,free to move forward and back
- ▣ Various optional accessories for common using

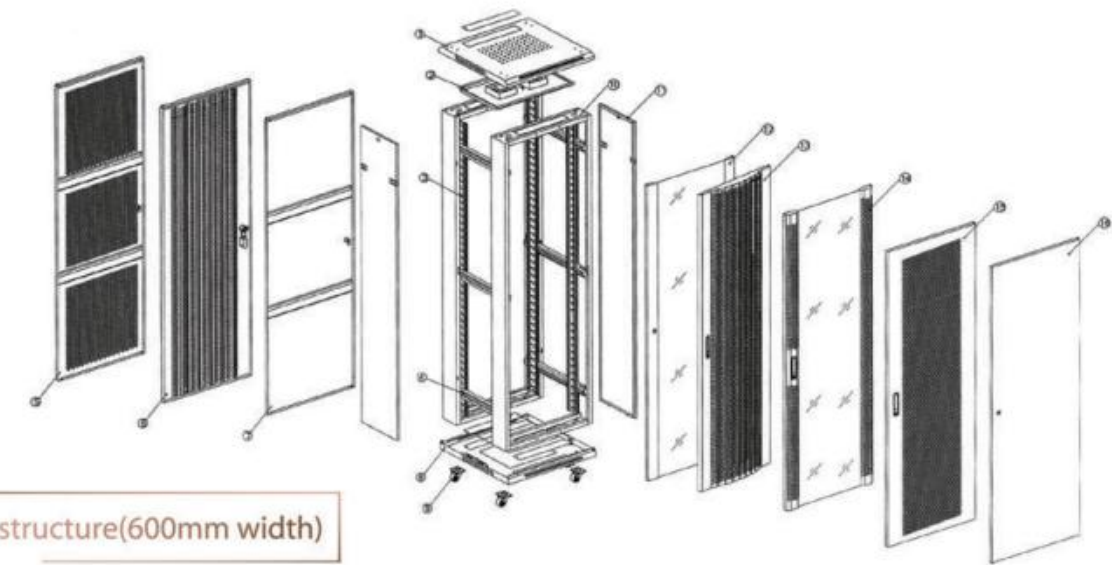


S/N	LE-NB
Material	■ SPCC quality cold rolled steel ■ Thickness:mounting Profile:2.0mm,Others:1.2mm ■ Tempered glass Thickness:5mm
Loading Capacity	Static loading: 800kg(on the adjustable feet)
Degree of protection	IP20
Surface finish	Degreasing,Pickling,Phosphating,Powder Coated
Product specification	18U-47U
Width	600mm, 800mm
Depth	600mm, 800mm, 900mm, 1000mm, 1200mm
Color	Ral9004; Ral9005; Ral7035



### Main structure(800mm width)

- |                             |                                  |                                 |                                |
|-----------------------------|----------------------------------|---------------------------------|--------------------------------|
| 1 Top cover                 | 2 Fan unit                       | 3 Mounting profile              | 4 Spacer                       |
| 5 Mounting angle            | 6 Rear door with hexagonal holes | 7 High-density vented rear door | 8 Steel rear door without hole |
| 9 Bottom panel              | 10 Heavy duty castor             | 11 Frame                        | 12 Side panel                  |
| 13 Cable management slot    | 14 Tempered glass front door     | 15 Arc vented front door        | 16 05J border glass front door |
| 17 Single vented front door | 18 Steel front door              |                                 |                                |



### Main structure(600mm width)

- |                             |                                 |                                |                              |
|-----------------------------|---------------------------------|--------------------------------|------------------------------|
| 1 Top cover                 | 2 Fan unit                      | 3 Mounting profile             | 4 Mounting angle             |
| 5 Door with hexagonal holes | 6 High-density vented rear door | 7 Steel rear door without hole | 8 Bottom panel               |
| 9 Heavy duty castor         | 10 Frame                        | 11 Side panel                  | 12 Tempered glass front door |
| 13 Arc vented front door    | 14 05J border glass front door  | 15 Single vented front door    | 16 Steel front door          |

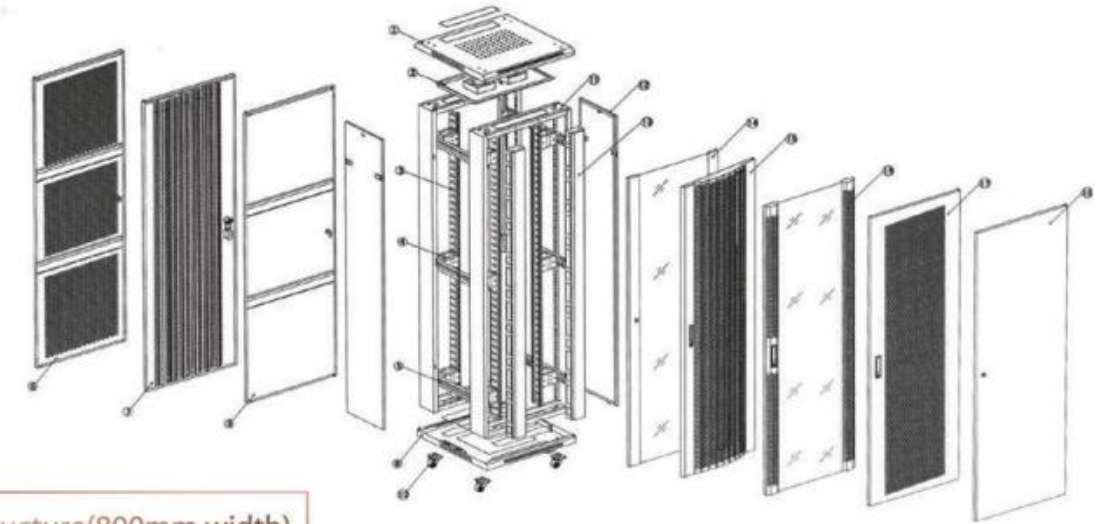


### General description

- ▣ Arc shaped vented front door with hexagonal holes, can turn over 180 turning degree
- ▣ Vented rear door with hexagonal holes
- ▣ Removable side panels with latch, easy to install, optional lock
- ▣ Adjustable cable entry on the top and bottom
- ▣ Welded steel frame for front and back part, flat packing is available, easy to transfer
- ▣ Optional plinth to fix cabinet on floor; under base cable entry
- ▣ Unassembled packing, about 2/5 of original volume, save container space

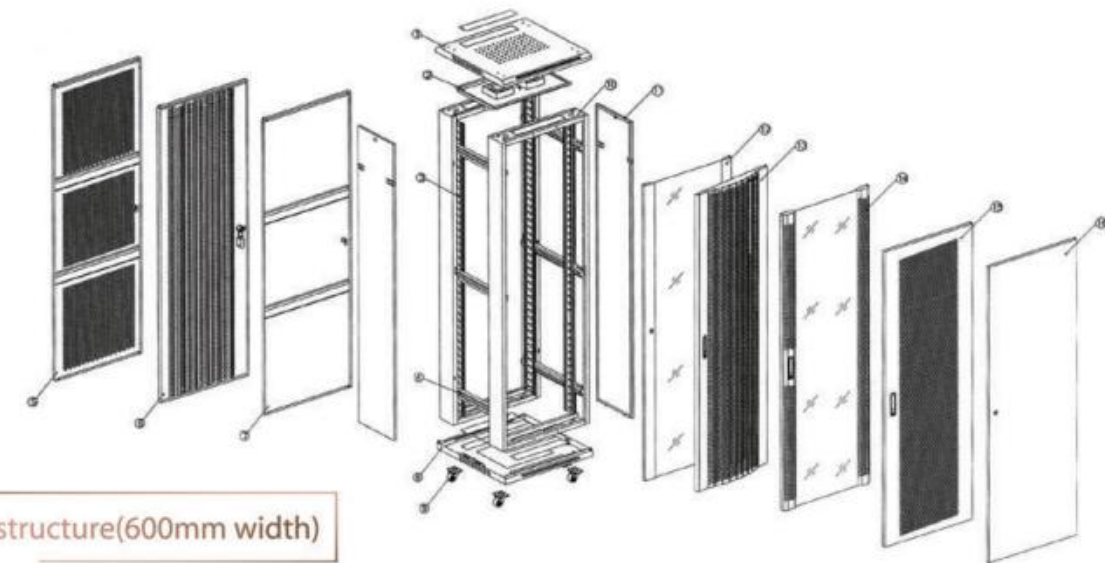


S/N	LE-NC
Material	■ SPCC quality cold rolled steel ■ Thickness: mounting Profile: 2.0mm, Others: 1.2mm
Loading Capacity	Static loading: 800kg (on the adjustable feet)
Degree of protection	IP20
Surface finish	Degreasing, Pickling, Phosphating, Powder Coated
Product specification	18U-47U
Width	600mm, 800mm
Depth	600mm, 800mm, 900mm, 1000mm, 1200mm
Color	Ral9004; Ral9005; Ral7035



### Main structure(800mm width)

- |                             |                                  |                                 |                                |
|-----------------------------|----------------------------------|---------------------------------|--------------------------------|
| 1 Top cover                 | 2 Fan unit                       | 3 Mounting profile              | 4 Spacer                       |
| 5 Mounting angle            | 6 Rear door with hexagonal holes | 7 High-density vented rear door | 8 Steel rear door without hole |
| 9 Bottom panel              | 10 Heavy duty castor             | 11 Frame                        | 12 Side panel                  |
| 13 Cable management slot    | 14 Tempered glass front door     | 15 Arc vented front door        | 16 05J border glass front door |
| 17 Single vented front door | 18 Steel front door              |                                 |                                |



### Main structure(600mm width)

- |                             |                                 |                                |                              |
|-----------------------------|---------------------------------|--------------------------------|------------------------------|
| 1 Top cover                 | 2 Fan unit                      | 3 Mounting profile             | 4 Mounting angle             |
| 5 Door with hexagonal holes | 6 High-density vented rear door | 7 Steel rear door without hole | 8 Bottom panel               |
| 9 Heavy duty castor         | 10 Frame                        | 11 Side panel                  | 12 Tempered glass front door |
| 13 Arc vented front door    | 14 05J border glass front door  | 15 Single vented front door    | 16 Steel front door          |

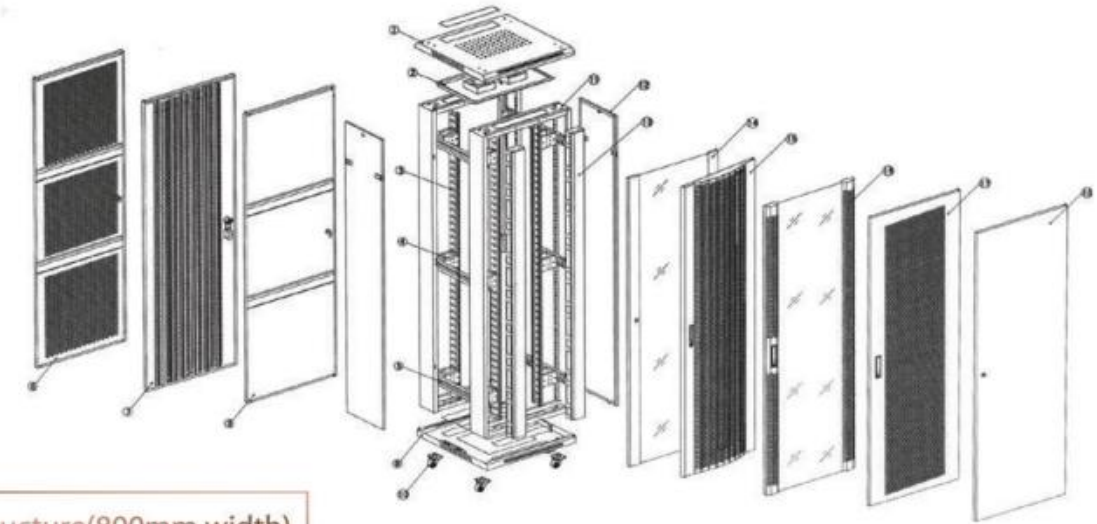


### General description

- ▣ Vented front and rear door with excellent ventilation rate above 70%
- ▣ Removable side panels with lock optional
- ▣ Adjustable cable entry on the top and bottom cover
- ▣ Welded steel frame for front and back part, flat packing is available
- ▣ S-shaped mounting profile, free to move forward and back
- ▣ Various optional accessories for common using

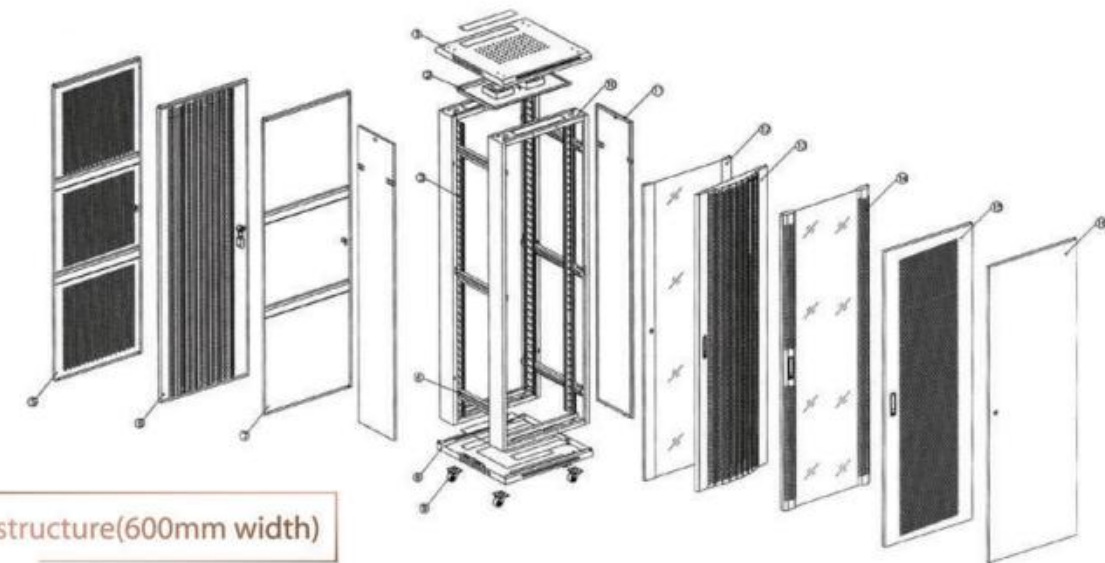


S/N	LE-ND
Material	■ SPCC quality cold rolled steel ■ Thickness:mounting Profile:2.0mm,Others:1.2mm
Loading Capacity	Static loading: 800kg(on the adjustable feet)
Degree of protection	IP20
Surface finish	Degreasing,Pickling,Phosphating,Powder Coated
Product specification	18U-47U
Width	600mm, 800mm
Depth	600mm, 800mm, 900mm, 1000mm, 1200mm
Color	Ral9004; Ral9005; Ral7035



### Main structure(800mm width)

- |                             |                                  |                                 |                                |
|-----------------------------|----------------------------------|---------------------------------|--------------------------------|
| 1 Top cover                 | 2 Fan unit                       | 3 Mounting profile              | 4 Spacer                       |
| 5 Mounting angle            | 6 Rear door with hexagonal holes | 7 High-density vented rear door | 8 Steel rear door without hole |
| 9 Bottom panel              | 10 Heavy duty castor             | 11 Frame                        | 12 Side panel                  |
| 13 Cable management slot    | 14 Tempered glass front door     | 15 Arc vented front door        | 16 05J border glass front door |
| 17 Single vented front door | 18 Steel front door              |                                 |                                |



### Main structure(600mm width)

- |                             |                                 |                                |                              |
|-----------------------------|---------------------------------|--------------------------------|------------------------------|
| 1 Top cover                 | 2 Fan unit                      | 3 Mounting profile             | 4 Mounting angle             |
| 5 Door with hexagonal holes | 6 High-density vented rear door | 7 Steel rear door without hole | 8 Bottom panel               |
| 9 Heavy duty castor         | 10 Frame                        | 11 Side panel                  | 12 Tempered glass front door |
| 13 Arc vented front door    | 14 05J border glass front door  | 15 Single vented front door    | 16 Steel front door          |

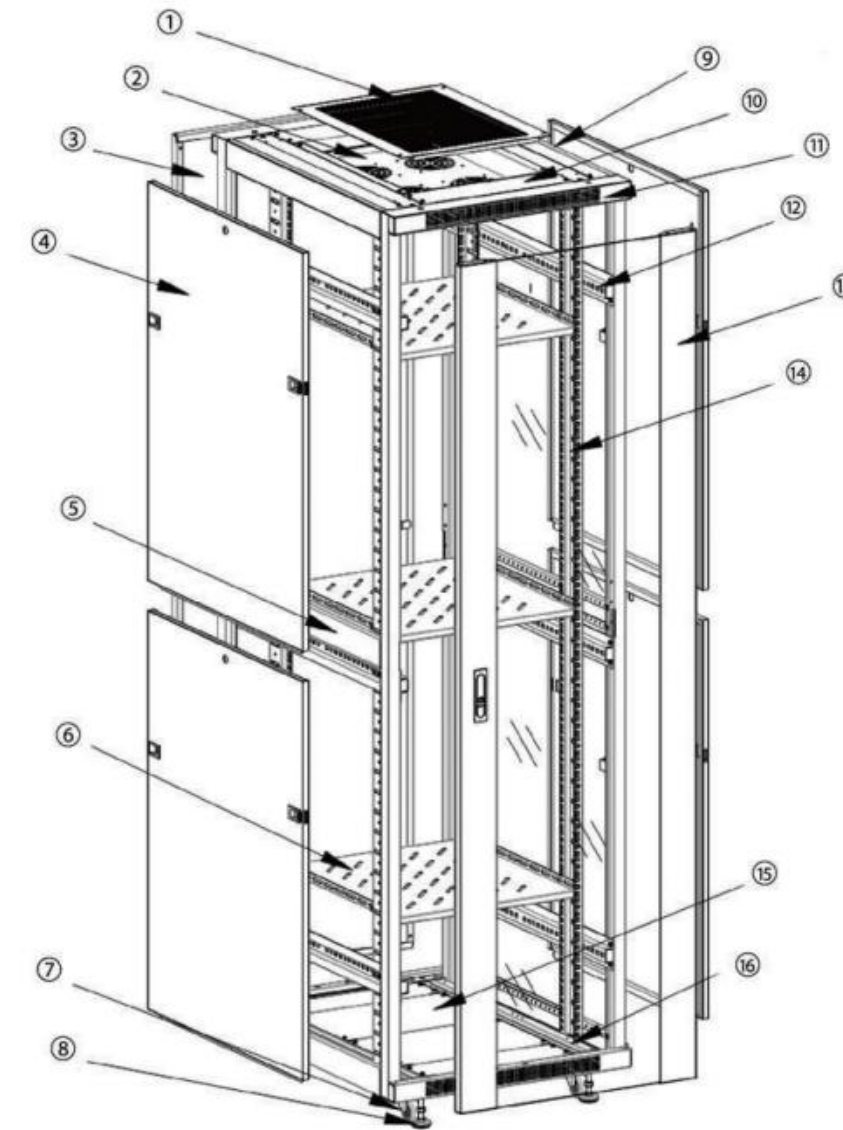


### General description

- ▣ loading weight can be 1300kg
- ▣ More stable structure, extend the size of cable tray, fan unit with switch, can change the plug cable by yourself.
- ▣ Doors optional
- ▣ Volumn is smaller than our common flat packing cabinet, it is about 80%~90% of our NA type carton volumn
- ▣ Glass front door with JC04 lock, steel back door with JC01 lock, side panel(two parts when it is more than 37U)
- ▣ Four pcs U number S shape(L shape optioanl) mounting profile
- ▣ With 25 sets screw and nuts, 4pcs JF01 castors(optional), 4pcs adjustable feet



S/N	LE-NF
Material	■ SPCC quality cold rolled steel ■ Thickness:mounting Profile:2.0mm,Others:1.2mm
Loading Capacity	Static loading: 1300kg(on the adjustable feet)
Degree of protection	IP20
Surface finish	Degreasing,Pickling,Phosphating,Powder Coated
Product specification	18U-47U
Width	600mm, 800mm
Depth	600mm, 800mm, 900mm, 1000mm, 1200mm
Color	Ral9004; Ral9005; Ral7035



### Main Structure

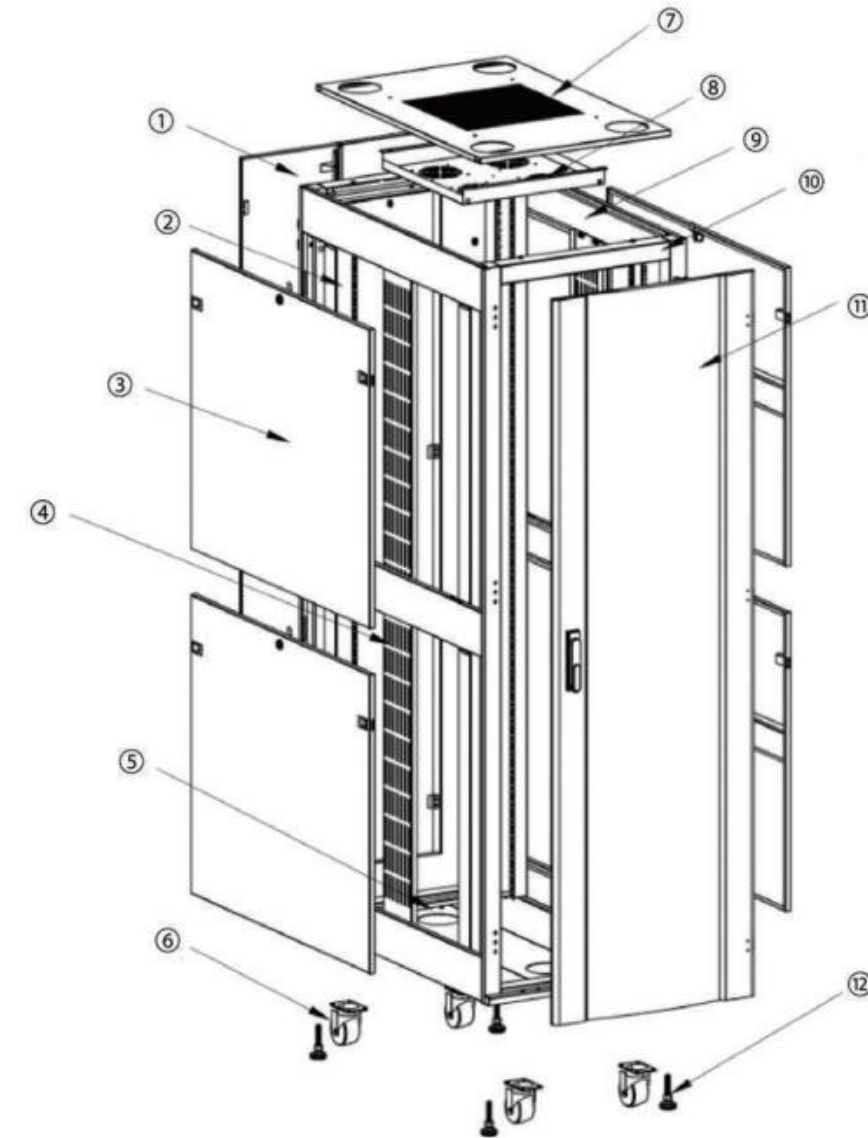
- |                 |                   |                       |                   |
|-----------------|-------------------|-----------------------|-------------------|
| 1 Top cover     | 2 Fan unit        | 3 Rear door           | 4 Side panel      |
| 5 Connect panel | 6 Shelf           | 7 Heavy duty castor   | 8 Adjustable feet |
| 9 Blank panel   | 10 Blank panel    | 11 Frame              | 12 Mounting angle |
| 13 Front door   | 14 Mounting angle | 15 Bottom blank panel | 16 Bottom panel   |

### General description

- ▣ Arc shaped vented door with MS840 lock, double open vented back door with MS840 lock, side panel (two parts) without locks (it is optional)
- ▣ Four pcs mounting profile with U number (S shape, L shape optional)
- ▣ With 25 sets screw and nuts, 4 pcs JF01 castors (optional), 4 pcs adjustable feet
- ▣ With 2 pcs vertical cable tray
- ▣ Four round cable tray on top, two round cable tray in bottom
- ▣ Loading weight can be 1500kg
- ▣ Packing volume is 80%~90% compared with NA type cabinet
- ▣ Door assembled way is using the hinges



S/N	LE-SC
Material	■ SPCC quality cold rolled steel ■ Thickness: mounting Profile: 2.0mm, Others: 1.2mm
Loading Capacity	Static loading: 1500kg (on the adjustable feet)
Degree of protection	IP20
Surface finish	Degreasing, Pickling, Phosphating, Powder Coated
Product specification	42U, 45U, 47U
Width	600mm, 800mm
Depth	1000mm, 1100mm, 1200mm
Color	Ral9004; Ral9005; Ral7035



### Main Structure

- |                   |                     |               |              |
|-------------------|---------------------|---------------|--------------|
| 1 Back door       | 2 Mounting profiles | 3 Side panel  | 4 Cable tray |
| 5 Bottom          | 6 Castors           | 7 Top cover   | 8 Fan tray   |
| 9 Mounting angles | 10 Frames           | 11 Front door | 12 Feet      |

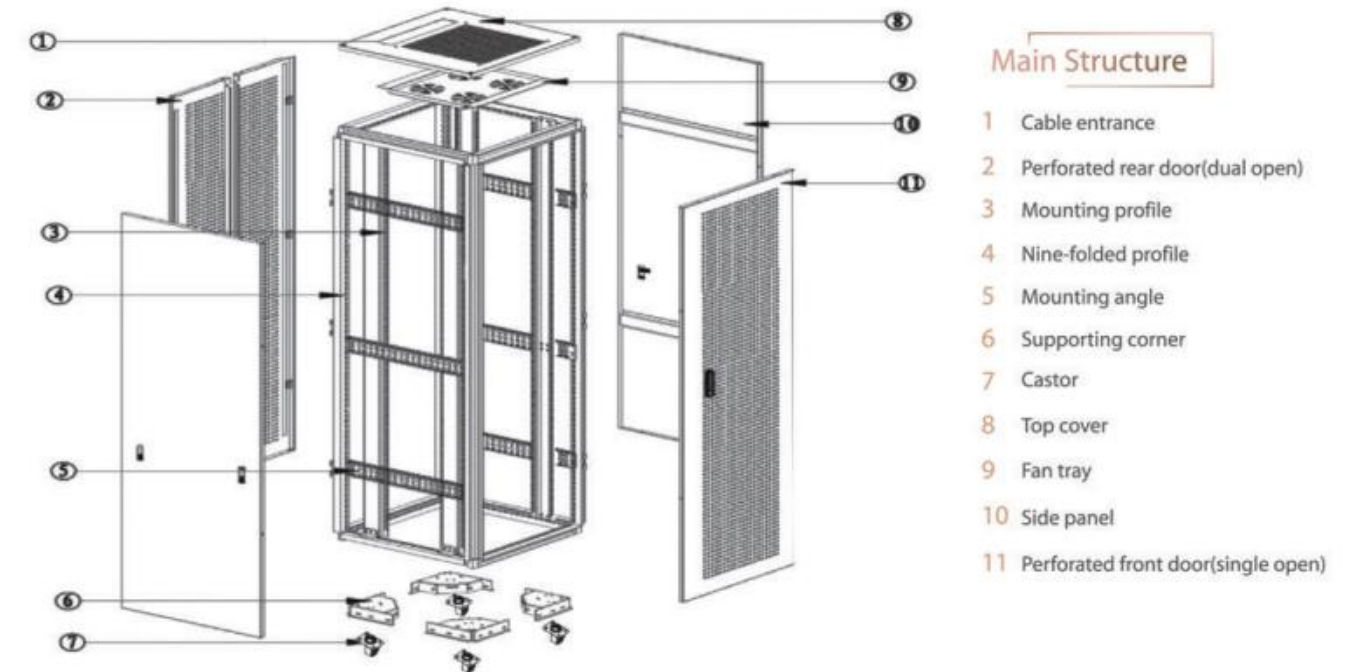


### General description

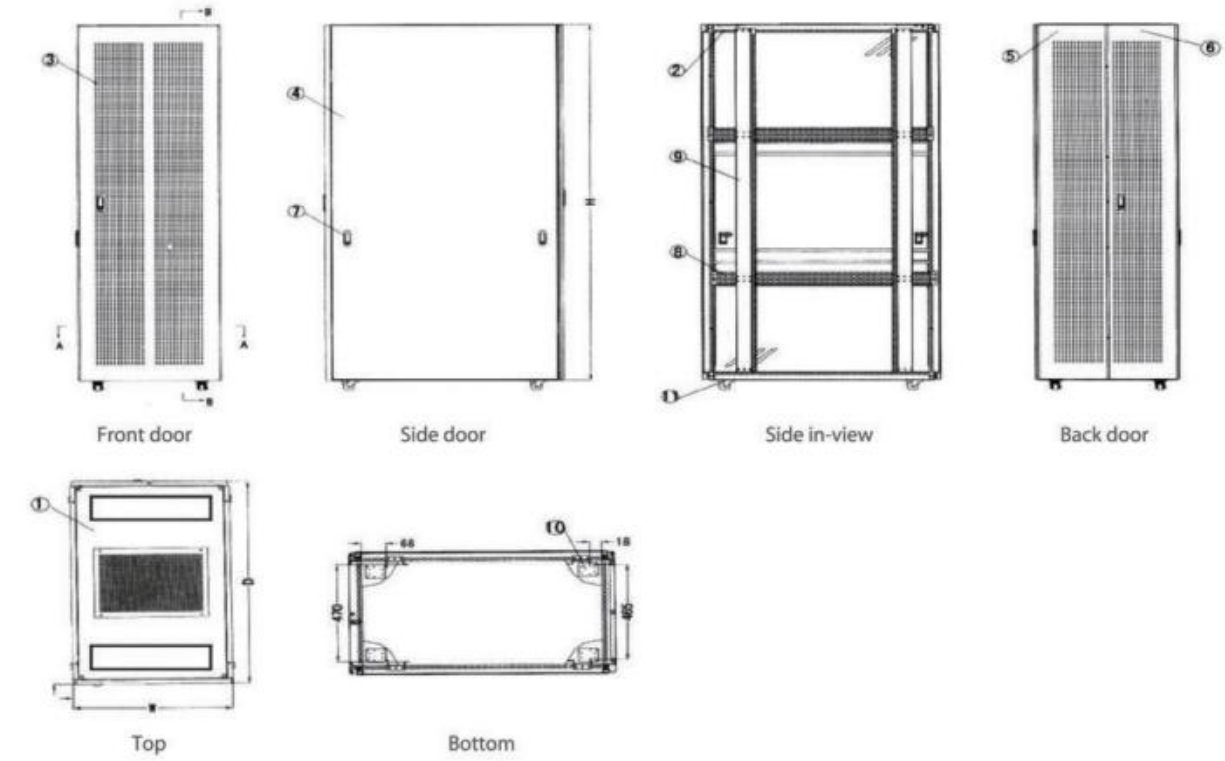
- Exquisite design with precise craftsmanship
- Nine-folded profiled,welded frame with high intensity
- High-density perforated front door(single open) with over 180 turning degree
- High-density perforated front door(dual open) enable equipment ventilation and reliable operation with ventilation rate above 50%
- Removable side panels,easy to install and maintain with moon shaped lock
- Connected by four-corner to ensure the strength and stability
- Adjustable feet and castors are available
- Adjustable cable entry on the top ,bottom with cable entrance
- Metal cable ring on the mounting profile for cable management
- Supplied as welded structure,also supplied as a flat packing
- Various optional Accessories for common using



S/N	LE-SF
Standard	ANS/EIA RS-310-D,IEC297-2,DIN41491,PART1,DIN41491,PART7,ETSI Standard
Material	■ SPCC quality cold rolled steel ■ Frame:Nine-folded profiled (SPCC) ■ Thickness:mounting Profile:2.0mm,Others:1.2mm
Loading Capacity	Static loading: 1000kg (on the adjustable feet)
Degree of protection	IP20
Surface finish	Degreasing,Pickling,Phosphating,Powder Coated
Product specification	18U-47U
Width	600mm, 800mm
Depth	600mm, 800mm, 900mm, 1000mm, 1200mm
Color	Ral9004; Ral9005; Ral7035



### Main Dimension



www.nbleit.com

www.nbleit.com

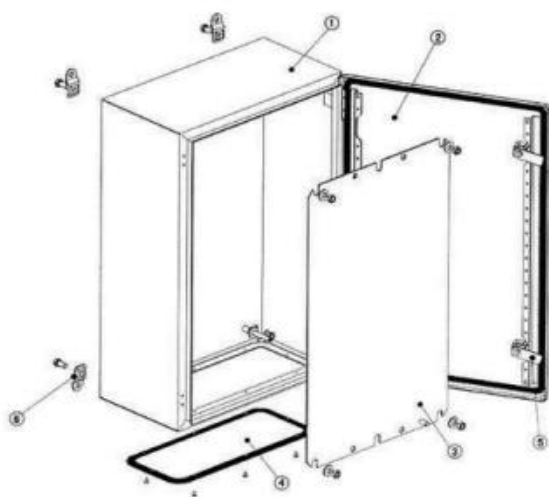


### General description

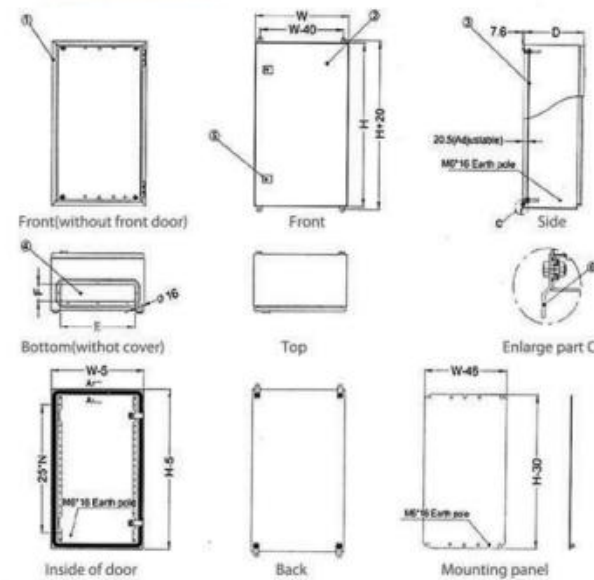
- Stable structure, precise dimension, capacious inner mounting space
- Cold rolled steel welded frame with strong structure
- Multi-folded periphery of enclosure to keep water or dust out of cabinet
- All-round polyurethane gasket near the protect slot with dustproof and waterproof
- Front door can open to 110 degree, from left or right
- Adjustable mounting panel inner the enclosure
- Cable entry with cover on the bottom; sealed rings protection
- M8 earthling pole on the body, mounting panel and door
- Mounting bracket on the rear part of enclosure, which make the enclosure installing easily
- Lock for front door with good seal performance
- Apply to mount various industrial components, controlling equipments and cable management



### Main Structure



### Main Dimension



S/N	LE-CA
Standard	Comply with EN60529/10.91, IEC60529 and GB4208-93, Standard
Material	■ SPCC quality cold rolled steel ■ Thickness:mounting Profile:2.0mm,Others:1.5mm
Degree of protection	IP55
Surface finish	Degreasing,Pickling,Phosphating, Powder coated, Static powdered Mounting panel:cooler RAL2000SN Body of enclosure, frame, side panel and doors:cool RAL7035SN
Product specification	Capacity:300mm-1200mm Width:200mm-600mm Depth:120mm-350mm

### General description

- Strong and stable framework of cabinet, which has the mounting holes
- The side panel and rear panel are the double-panel designed, the panels are fixed by the bolt from the inner.
- Between the inside and outside side panel has the inter space , which provides the channel to ventilate and support the enclosure internal heat exchange, and also can reduce the influence of the sunlight illumination
- The roof panel has the awning all around stretches out to keep from the rain, the bottom of awning have holes to keep the integrity well ventilated, which guarantees the air exchange
- Luxury lock with three points bolted on the front door more security , side panels and rear panels are fixed by screws
- The bottom have cable entrance with rubber ring
- The enclosure is the 19" structure, also can install the mounting panel
- The top loaded with fans to ventilate, two sides panels have the blind holes to output heat



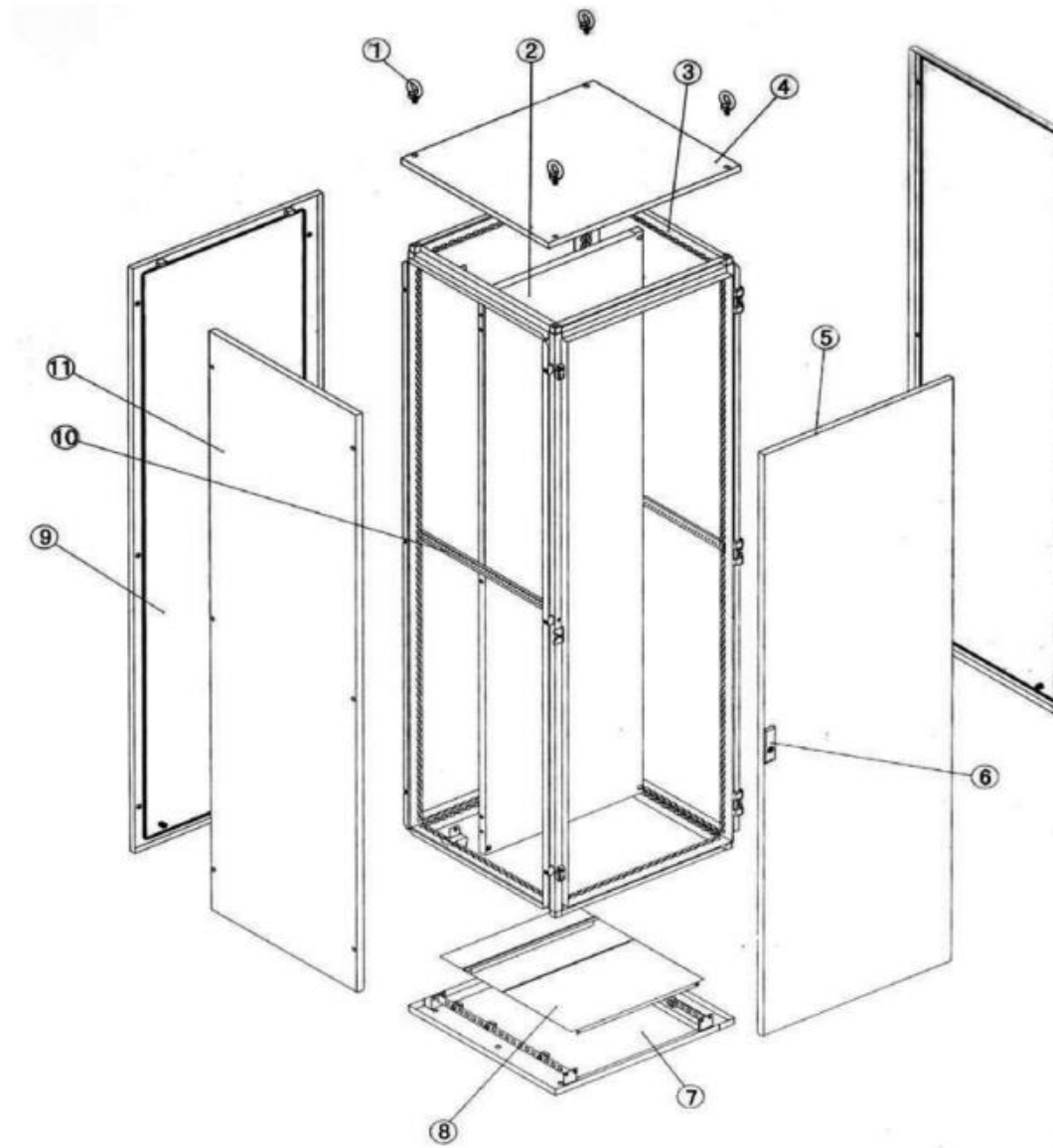
S/N	LE-DA
Material	■ SPCC quality cold rolled steel ■ Thickness: mounting profile:2.0mm, others:1.5mm
Loading Capacity	Static loading: 1500kg
Degree of protection	IP65
Surface finish	Degreasing,Pickling,Phosphating,Powder Coated
Product specification	22U-42U
Width	600mm, 800mm
Depth	600mm, 800mm
Color	RAL7035SN

### General description

- ▣ Stable structure, precise dimension, capacious inner mounting space
- ▣ Strong frame made of nine-folded profiled, with the mounting holes (integrated size :25mm) on the profiled frame
- ▣ Front door can be opened to 130 degree, which can be opened from left or right side; with 4 pc eye bolt on the top
- ▣ Luxury lock with three points bolted on the front door; side panels and rear panels are fastened by screws, which are easy and convenient to install
- ▣ All-round polyurethane gasket between door and frame, which assure the good sealing performance, and get to IP55
- ▣ The bottom has 3sectional panels, which can be moved freely and easy to enter cable
- ▣ M8 earthing pole mounted on the body, mounting panel and door
- ▣ The whole inner mounting panel can be adjusted forward and backward
- ▣ The plinth with 100mm height (optional 200mm)
- ▣ Apply to mount various industrial components, controlling equipments and cable management



S/N	LE-TA
Standard	Comply with EN60529/10.91, IEC60529 and GB4208-93, Standard
Material	<ul style="list-style-type: none"> <li>■ SPCC quality cold rolled steel</li> <li>■ Thickness:mounting panel and front door:2mm</li> <li>■ Frame and mounting angle:1.5mm;others:1.2mm</li> </ul>
Degree of protection	IP55
Surface finish	Degreasing, Pickling, Phosphating, Powder coated, Static powdered Mounting panel:cooler RAL2000SN Body of enclosure, frame, side panel and doors:cool RAL7035SN
Product specification	Capacity:1800mm,2000mm,2200mm Width: 600mm, 800mm, 1000mm, 1200mm Depth: 400mm,500mm,600mm,800mm



### Main Structure

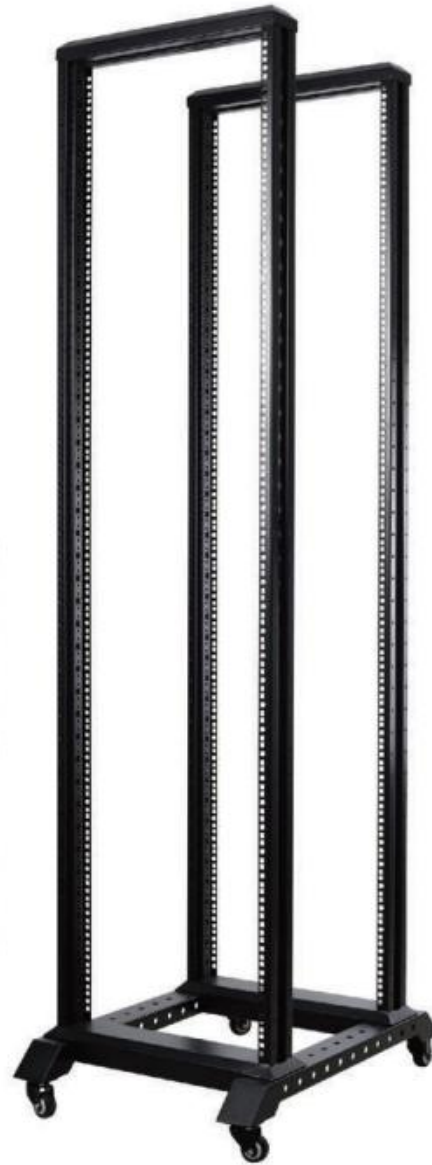
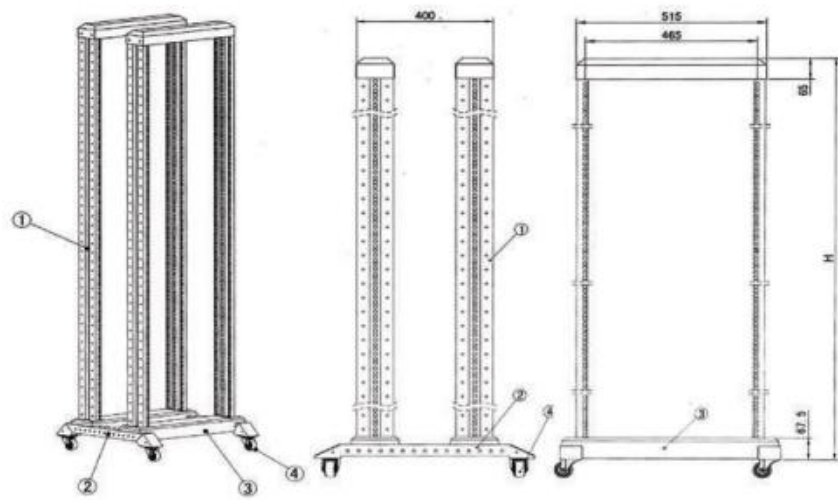
- |              |                   |                |                           |
|--------------|-------------------|----------------|---------------------------|
| 1 Eye bolts  | 2 Mounting panel  | 3 Frame        | 4 Top cover               |
| 5 Front door | 6 Lock            | 7 Bottom panel | 8 Sectioned boottom panel |
| 9 Back panel | 10 Mounting panel | 11 Side panel  |                           |



### General description

- Unassembled structure, modular design, easy to assembly
- Stable and strong structure, easy to fix and maintain
- 19 inch standard data rack: with 4 post
- With 4 castor, easy to move
- Various optional accessories for common using

### Main Structure

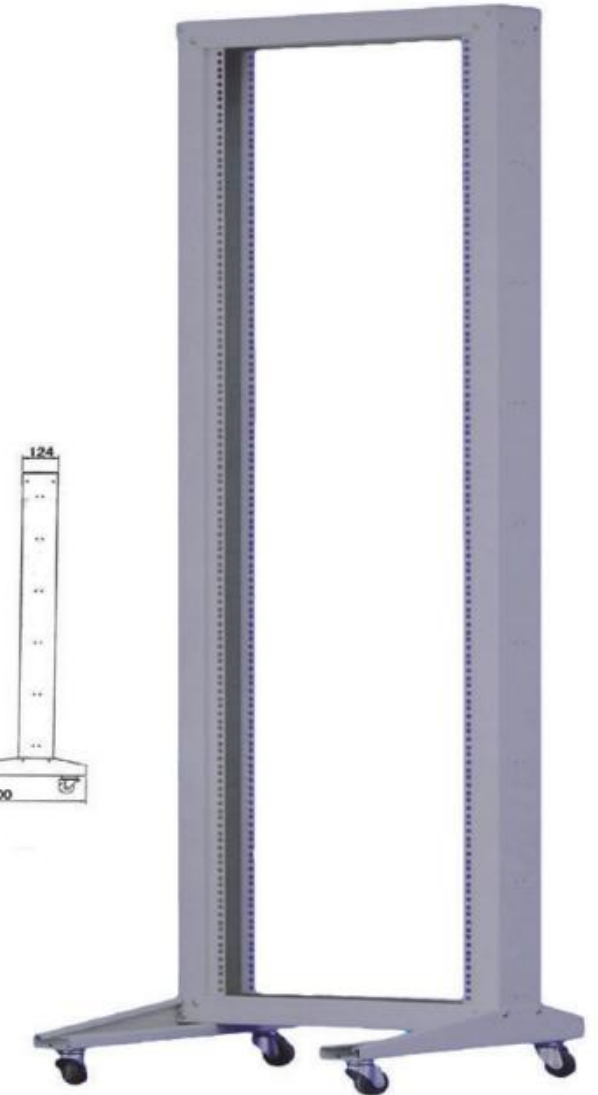
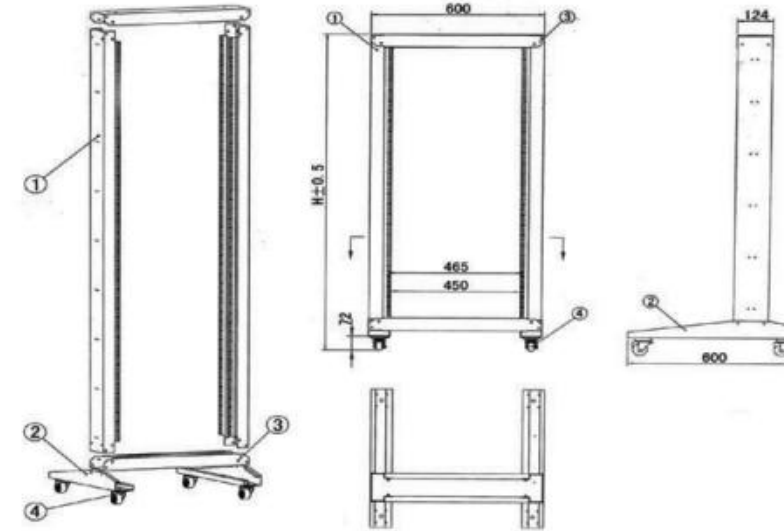


S/N	LE-RA
Material	■ SPCC quality cold rolled steel ■ Thickness:Plinth:1.5mm,Others:2.0mm
Loading Capacity	Static loading:400kg
Surface finish	Degreasing,Pickling,Phosphating,Powder Coated
Product specification	18U- 47U
Width	600mm
Depth	600mm, 800mm, 900mm, 1000mm, 1200mm
Color	Ral9004; Ral9005; Ral7035

### General description

- Unassembled structure, modular design, easy to assembly
- Stable and strong structure, easy to fix and maintain
- 19 inch standard data rack: with 2 post
- With 4 castor, easy to move
- Various optional accessories for common using

### Main Structure



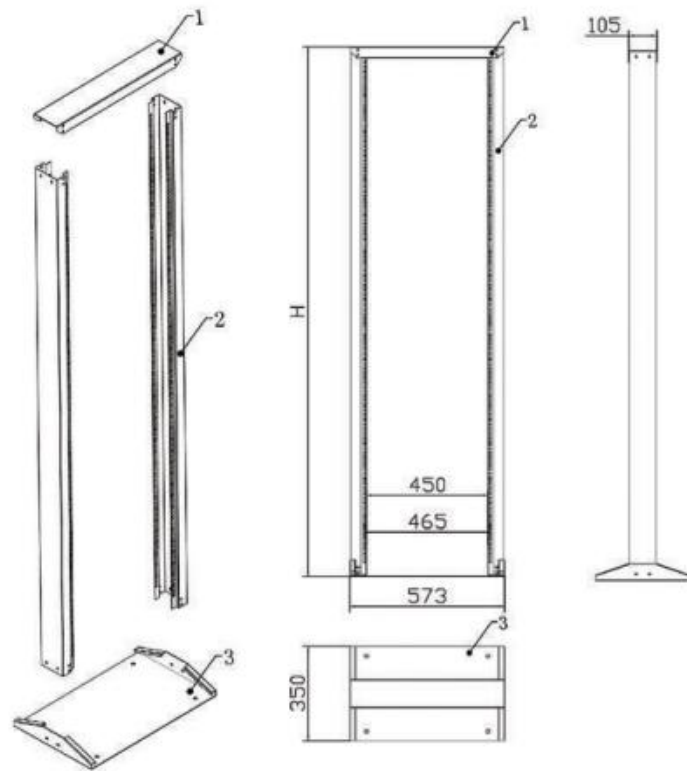
S/N	LE-RB
Material	■ SPCC quality cold rolled steel ■ Thickness:Plinth:2.0mm,Others:1.2mm
Loading Capacity	Static loading:200kg
Surface finish	Degreasing,Pickling,Phosphating,Powder Coated
Product specification	18U- 47U
Width	600mm
Depth	600mm, 800mm,



### General description

- Unassembled structure, modular design, easy to assembly
- Stable and strong structure, easy to fix and maintain
- 19 inch standard data rack: with 2 post
- Four expansion screws, can be fixed on the ground, strong and durable
- Various optional accessories for common using

### Main Structure

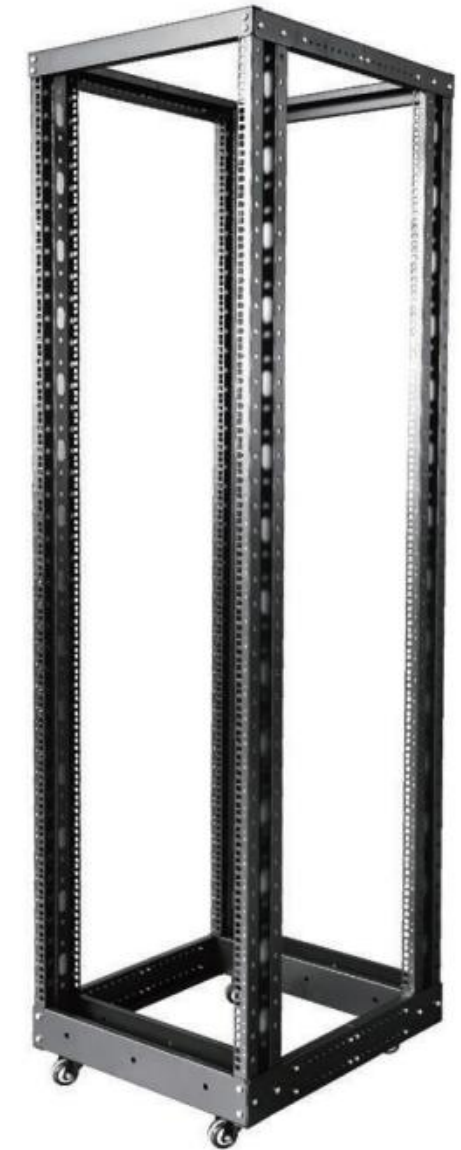
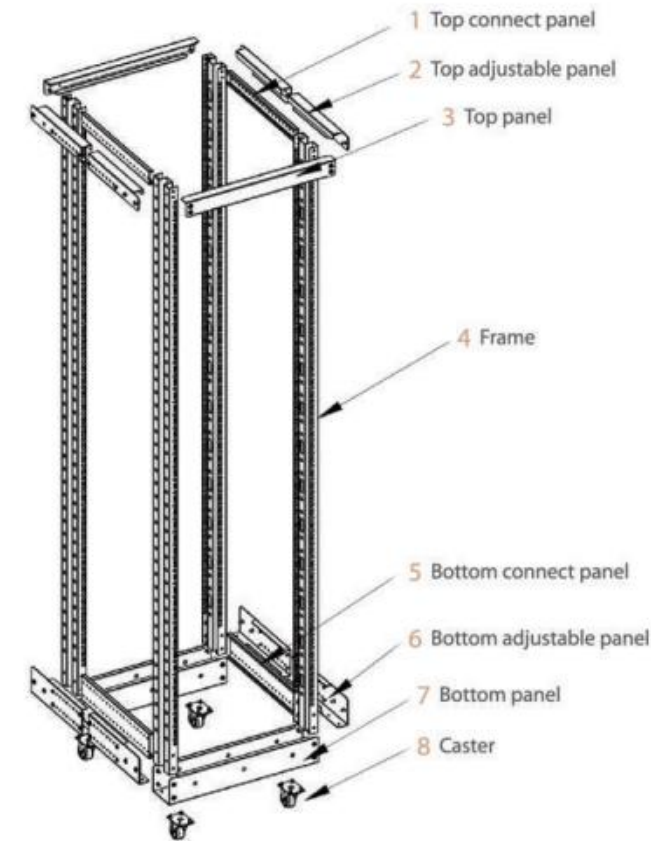


S/N	LE-RC
Material	■ SPCC quality cold rolled steel ■ Thickness:Plinth:2.0mm,Others:1.2mm
Loading Capacity	Static loading:200kg
Surface finish	Degreasing,Pickling,Phosphating,Powder Coated
Product specification	18U- 47U
Width	600mm
Depth	350mm, 600mm
Color	Ral9004; Ral9005; Ral7035

### General description

- Unassembled structure can save space, modular design, easy to assembly
- Stable and strong structure, easy to fix and maintain
- 19 inch standard data rack: with 4 post
- With 4 castor, easy to move;also can fit on the floor by screws
- Depth adjustable from 600mm to 1000mm
- Various optional accessories for common using

### Main Structure



S/N	LE-RD
Material	■ SPCC quality cold rolled steel ■ Thickness:Plinth:1.5mm,Others:2.0mm
Loading Capacity	Static loading:500kg
Surface finish	Degreasing,Pickling,Phosphating,Powder Coated
Product specification	18U- 47U
Width	600mm
Depth	600mm- 1000mm
Color	Ral9004; Ral9005; Ral7035

### General description

- SPCC quality cold rolled steel, 1.2mm thickness, with locker for anti-theft
- Double mesh front and rear door help to keep cool inside
- 15U is standard height, usually 2tiers, 16 charge ports in each tiers
- 800mm width is common, two pcs PDU in two sides
- Specially designed two handles on top for school/factory/hospital/educational business use
- Charge for tablets/notebooks/drawing pads which with plug at same time.
- High voltage fuse and power leakage protection design
- Two Cooling fan on the top
- Recycling charge control for energy save design
- Rolling wheels with braked.



S/N	LE-CC
Material	■ SPCC quality cold rolled steel ■ Thickness:mounting Profile:2.0mm,Others:1.2mm
Loading Capacity	Static loading: 800kg(on the adjustable feet)
Degree of protection	IP20
Surface finish	Degreasing,Pickling,Phosphating,Powder Coated
Product specification	15U
Width	800mm
Depth	600mm
Color	Ral9004; Ral9005; Ral7035

### General description

- SPCC quality cold rolled steel, 1.2mm thickness, with locker for anti-theft
- Doors type optional, two handles on top
- 24U is standard height, usually 3 tiers, 16 charge ports in each tiers, Independent USB charge port
- Specially designed for school/factory/hospital/educational business use
- Charge for phone/tablets/notebooks/drawing pads at same time
- High voltage fuse and power leakage protection design
- Cooling fan system, two pcs for one tier
- Recycling charge control for energy save design
- Led light charge indicators
- Rolling wheels with braked



S/N	LE-CCUSB
Material	■ SPCC quality cold rolled steel ■ Thickness:mounting Profile:2.0mm,Others:1.2mm ■ Tempered glass Thickness:5mm
Loading Capacity	Static loading: 800kg(on the adjustable feet)
Degree of protection	IP20
Surface finish	Degreasing,Pickling,Phosphating,Powder Coated
Product specification	24U
Width	600mm
Depth	600mm
Color	Ral9004; Ral9005; Ral7035



## General description

- With the rapid development and constant fierce competition of the communication industry, operators begin to focus their full attention on the development of business and quality of the whole network. As the protection-support-system and the heart of the entire network, network power system smooth running and service quality of network, which is self-evident. Therefore, the reliability and high availability of integrated network room becomes the basis of communication industry to develop stably.

### Introduction

- Latitude modular data center divides whole room into several independent areas. the regional scale, power termination and configuration, etc are customized and designed according to the demand. A module is a single small independent data center. As the business requirements are expanding, the increasing of the independent module can satisfy different customers' demands of reliability level, power density, and safety level, so as to realize the Purpose of rapid construction.
- Latitude modular data room, which integrates all subsystems such as racks, power distribution and supply, refrigeration, wiring and intelligent management, etc. It will support a flexible mode of deployment with single or double row closed cold/hot channel. the maximum power consumption of single cabinet can be up to 21kw.
- Latitude modular data center can realize tailored and repaid deployment. Through standardized and modularized products, it can weaken and even help customers revoke the consultation design, deepen the design link so as to shorten the construction period of the data center and save related resources.
- Latitude modular data center can synchronize the decoration process for starting pre-production and pre-test of micro module. After the production, it could achieve the rapid deployment, then the time of the project could be greatly shorten up to 50%.

### Advantage

- Combination aspect:** Latitude modular room can be used as an overall solution. closed channel, racks, wiring, powder distribution, intelligent management and other parts can be also offered separately, which are fit well with any other brands. Manufacturer is responsible for drawing, producing, assembling on site for new cooperated brand products, and manual instruction will be offered at the same time.
- Appearance aspect:** well designed by professional art team, beauty and function are coexisted. Different colors are available as per customers' request. Featured products are the perfect combination of champagne color enclosure and black aluminum racks, coordinated with colorful cable bridge, making the drab room more visual impacted and beautiful than before without losing technology sense.
- Air distribution aspect:** Latitude modular data center could take cold or hot aisle containment by combining with air supplying mode, which can effectively solve the energy waste and improve the efficiency of air conditioning refrigeration.
- Power distribution Aspect:** Latitude distribution is using the power supply way of busbar monitoring or intelligent power distribution. Compared with the traditional cabling power supplying, Busbar power supplying is more flexible on power supply configuration, which could be added at any time, plug and play if you want to.
- Security Protection aspect:** Closed channel door uses access control systems with many programs available, which can achieve linkage control together with operating illumination; Color video camera will be installed inside to get real-time monitoring for the aisle.
- Intelligent management Aspect:** Latitude develops a dedicated micro-module environment management system. Management system could keep real-time monitoring of infrastructure of IT equipment, air conditioning, lighting, humidity, video surveillance, channel controlling, dormer flapping, joint fire protection, and do statistics and analysis for the power consumption of the device. It could provide real time data of the key indicators -PUE value, capacity management asset management and other functional modules.



### Latitude modular data center technical parameters

- Standard cabinets:** 600/800\*1000/1200\*2000/2200(W\*D\*H); mesh/glass door can be optional
- High-end cabinets:** 600/800\*1000/1200\*2000/2200(W\*D\*H); mesh/glass door can be optional
- Specification:** comply with 19inch installation standard
- Doors:** front mesh door for single open, rear mesh door for dual open, front glass door for single open, rear mesh door for dual open(optional); side panel removable; the ventilation rate of mesh
- Airflow:** front in and rear out static loading:  $\approx 1000\text{kg}$
- Structure:** L-rail thickness:  $\approx 2.0\text{mm}$ ; mounting profile and mounting angle  $\approx 2.0\text{mm}$ ; mounted frame or full welded nine-folded frame; server racks, the front/back distance of L-rail cab be adjustable
- Cable management:** both sides have 6inch pectionation cable management with cover, 12inch cable mangement with cover between 2 cabinets, patch panel can be optional for the patch cord
- Cable entrance:** no less than 4pcs cable entry at the front and rear part of the rack, 2earthing kit at the bottom
- Enclosure structure:** top cover and doors sizes could be customized according to cold/hot aisle; Standard size for the top cover: 600/800\*1200mm; Door: 1000\*2200mm
- Steel plate:** SPCC cold rolled steel for front & rear door
- Surface finish:** Degreasing, pickling, phosphating, then environmentally powder coated(Black with wrinkle finish or flat finish for option), the color could be customized to show the customers' company color, or could be designed with the racks' color integrally
- Dormer and aisle modular** are standard integrated modular, which is an independent structure not replying on racks loading capacity. Avoiding destroying the racks loading capacity, it is damping on the dormer which could be turned slowly in 90degree
- Aisle door:** 5mm thickness toughened glass for the translational door(sliding door for option), size: 1000mm(W)\*2200mm(H); it's required that the doors could be automatically positioning when closed and automatically locked when closing
- Ceiling:** 5mm thickness toughened glass, up to 80% transmittance, it gets advantage of light weight and unbreakable to avoid wounding people; the ceiling could be customized according to the racks sizes and the length of the aisle. It's designed as an integrated modular center, produced by the factory, installed on-site, and it could be dismantled separately
- Sealing:** sealing bars are used between the unit modules and enclosure doors in the aisle, and it should be no visible gap to avoid cold air leaking efficiently
- Joint fire protection:** Once receiving the fire alarm signal, the dormer could be opened automatically. To avoid any emergency, it could be closed by hand; there is audible-visible annunciator installed on the top of the translational doors, aisle door access get power linkage to cut off the electric power
- Top cable management:** Closed management, column management and pigtailed management(for option) could be used on the electric strength cable management, it could be installed top-mounted, or hoisted mounting(for option). The sizes could be designed according to electric strength cables, and it should avoid the mix design of the electric strength cable management, and no exposed cable management at the front and inside of the aisle
- Assembly:** There is no external screw design; it could be seamlessly assembled with the racks of different brands, size and height





JB01 Cable Management 1U



JB02 Cable Management 1U



JB03 Cable Management 1U



JB05 Cable Management 1U



JB06 Cable Management 1U



JB07 Cable Management 2U



JB08 Cable Management 2U



JC01 Small Round Lock



JC02 Spring Lock A



JC03 Moon Shaped Lock A



JC04 Handle Lock A



JC05 Coded Lock



D01 Bolts and nuts with washer  
A.Cross type B.Inner hexagon type



JD03 1U 19Inch Brush Panel



JD04A Brush Panel For Wall and Floor Standing Cabinets Cable Entry



JD05 Drawer with Lock



JE02 Plinth For N Series Cabinet



JE03 Fixed Shelf



JE04 Sliding Shelf



JE05 Sliding Shelf With Mounting Ear



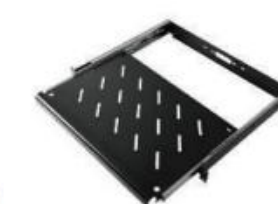
JE07 Cantilever Shelf-1U



JE07 Cantilever Shelf-2U



JE09 Adjustable Cantilever Shelf-F



JE10 keyboard Tray



JE11 Adjustable KeyBoard Tray



JF01 Castor



JF02 Castor With Braked



JF03 Heavy Duty Castor With Braked



JF04 Castor With Side Braked



JF07 Adjustable Feet



JG01 1U Digital Thermostat Without Fan



JG02 Digital Thermostat With Two Fans



JG03 Digital Thermostat With Four Fans





JG04 1U Fan Unit



JG05 Fan



JG06 Fan Tray



JH01 Wall Mount Bracket



JH02 Blank Panel



JH05 L-Shaped Supporting Rail



JI01 Plastic Cable Ring



JI02 Metal Cable Ring



JI03 Connector For N Series Cabinet



JI04 Connector For SF Series Cabinet



JK01 Earthing Copper Bar



JK02 Earthing Cable



JK03 Lamp



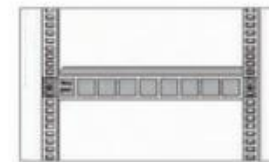
JL01 3U Air-switch Box with DIN Rail



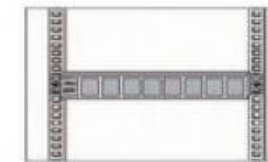
LH04 Document Folder

### General description

- ▣ PDU countries socket type of short: Caese: China: (CHN), United States: (USA)
- ▣ PDU socket unit current output value, were:10A: (10); 15A: (15); 16A: (16)
- ▣ PDU the height of the unit(U) were:1U: (10),1.5U: (15), 2U: (20)
- ▣ PDU output module number of cases: 5ways: (05), 12ways: (12)
- ▣ PDU incidental function of the code, cases: switches:(KP)
- ▣ PDU shell color, were: white:(W), blcak: (B)
- ▣ PDU the length of size, units: inches, were: 19- inch: (19)
- ▣ PDU the installation code: Example: positive levels: (A); reverse level:(B)



Positive level A



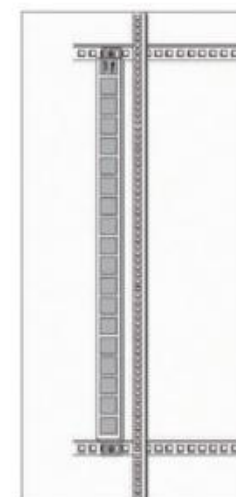
Reverse level B



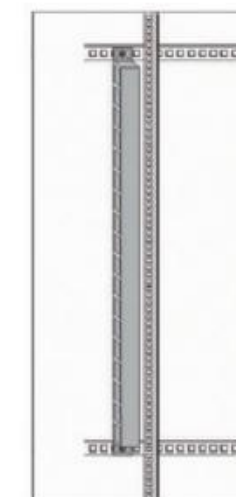
Positive side level C



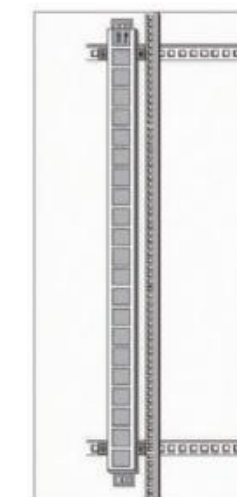
Reverse sde level D



Positive level E



Positive side level F



Reverse level G

General description



- 19" Universal type PDUs are horizontal and vertical installation are optional, output available are 4 to 10way
- Over 19" Universal type PDUs are vertical installation, output available are more than 10way
- Height 1U and 1.5U are optional
- Cable length longer than 2M, more than 3x1.0mm<sup>2</sup>
- Kinds of control function and protection function are optional



Input Characteristics	Rated input voltage	250VAC 50/60Hz
	Type of plug	GB1002
	Cable specification	3x1.5mm <sup>2</sup>
	Cable length	2M
Output Characteristics	Max input current	10A
	Socket standard	GB2099.3
	Output quantity	Optional
	Rating output voltage	250VAC 50/60Hz
Functions	Max output current	10A
	Control	Optional
Product Size	Protection	Optional
	Product size	LxWxH=482.6x44.4x62mm(19")
	Mounting length	465mm
Color & Material	Color	Black or Aluminum alloy color
	Shell material	Aluminum alloy
	Plastic flame retardant rating	UL94V-0
Test Item	Hi-pot test	PASS
	Grounding	PASS
	IR	PASS
	Certificate	CE RoHS TUV SGS
Mounting	Mounting method	Horizontal or vertical installation
	Occupying space	1U

General description



- 19" USA type PDUs are horizontal and vertical installation are optional, output available are 4 to 8way
- Over 19" USA type PDUs are vertical installation, output available are more than 8way
- Height 1U and 1.5U are optional
- Cable length longer than 2M, more than 3x1.0mm<sup>2</sup>
- Kinds of control function and protection function are optional



Input Characteristics	Rated input voltage	125VAC 50/60Hz
	Type of plug	NEMA5-15P
	Cable specification	16AWG
	Cable length	2M
Output Characteristics	Max input current	15A
	Socket standard	NEMA5-15R
	Output quantity	Optional
	Rating output voltage	125VAC 50/60Hz
Functions	Max output current	15A
	Control	Optional
Product Size	Protection	Optional
	Product size	LxWxH=482.6x44.4x62mm(19")
	Mounting length	465mm
Color & Material	Color	Black or Aluminum alloy color
	Shell material	Aluminum alloy
	Plastic flame retardant rating	UL94V-0
Test Item	Hi-pot test	PASS
	Grounding	PASS
	IR	PASS
	Certificate	CE RoHS TUV SGS
Mounting	Mounting method	Horizontal or vertical installation
	Occupying space	1U



General description



- 19" UK type PDUs are horizontal and vertical installation are optional, output available are 4 to 8way
- Over 19" UK type PDUs are vertical installation, output available are more than 8way
- Height 1U and 1.5U are optional
- Cable length longer than 2M, more than 3x1.0mm<sup>2</sup>
- Kinds of control function and protection function are optional



Input Characteristics	Rated input voltage	250VAC 50/60Hz
	Type of plug	BS1363 13A
	Cable specification	3x1.5mm <sup>2</sup>
	Cable length	2M
	Max input current	13A
Output Characteristics	Socket standard	BS1363 13A(90°)
	Output quantity	Optional
	Rating output voltage	250VAC 50/60Hz
	Max output current	13A
Functions	Control	Optional
	Protection	Optional
Product Size	Product size	LxWxH=482.6x44.4x62mm(19")
	Mounting length	465mm
Color & Material	Color	Black or Aluminum alloy color
	Shell material	Aluminum alloy
	Plastic flame retardant rating	UL94V-0
Test Item	Hi-pot test	PASS
	Grounding	PASS
	IR	PASS
	Certificate	CE RoHS TUV SGS
Mounting	Mounting method	Horizontal or vertical installation
	Occupying space	1U

General description



- 19" Germany type PDUs are horizontal and vertical installation are optional, output available are 4 to 10way
- Over 19" Germany type PDUs are vertical installation, output available are more than 10way
- Height 1U and 1.5U are optional
- Cable length longer than 2M, more than 3x1.0mm<sup>2</sup>
- Kinds of control function and protection function are optional



Input Characteristics	Rated input voltage	250VAC 50/60Hz
	Type of plug	DIN49441 16A
	Cable specification	3x1.5mm <sup>2</sup>
	Cable length	2M
	Max input current	16A
Output Characteristics	Socket standard	DIN49440
	Output quantity	Optional
	Rating output voltage	250VAC 50/60Hz
	Max output current	16A
Functions	Control	Optional
	Protection	Optional
Product Size	Product size	LxWxH=482.6x44.4x62mm(19")
	Mounting length	465mm
Color & Material	Color	Black or Aluminum alloy color
	Shell material	Aluminum alloy
	Plastic flame retardant rating	UL94V-0
Test Item	Hi-pot test	PASS
	Grounding	PASS
	IR	PASS
	Certificate	CE RoHS TUV SGS
Mounting	Mounting method	Horizontal or vertical installation
	Occupying space	1U

General description



- 19" France type PDUs are horizontal and vertical installation are optional, output available are 4 to 10way
- Over 19" France type PDUs are vertical installation, output available are more than 10way
- Height 1U and 1.5U are optional
- Cable length longer than 2M, more than 3x1.0mm<sup>2</sup>
- Kinds of control function and protection function are optional

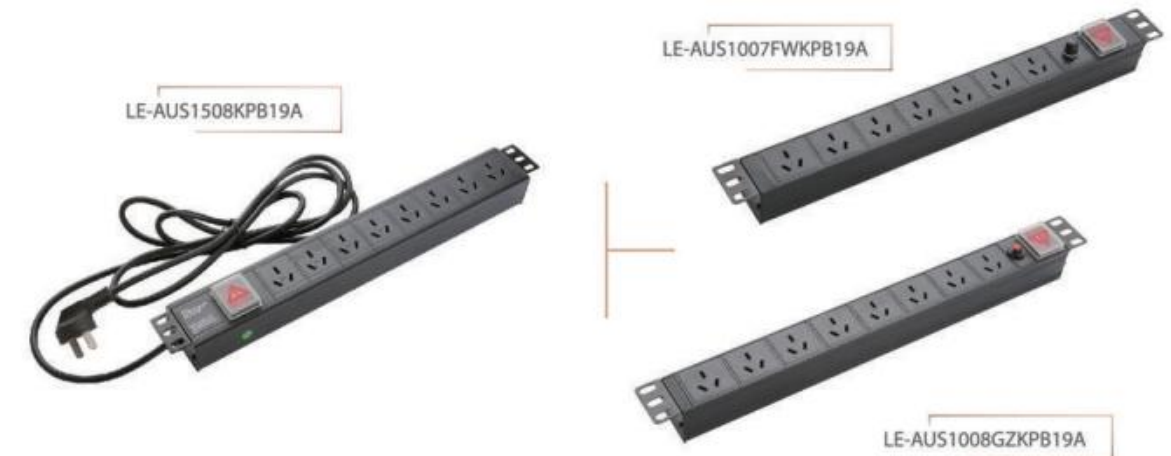


Input Characteristics	Rated input voltage	250VAC 50/60Hz
	Type of plug	DIN49441 16A
	Cable specification	3x1.5mm <sup>2</sup>
	Cable length	2M
Output Characteristics	Max input current	16A
	Socket standard	NF C61-314
	Output quantity	Optional
	Rating output voltage	250VAC 50/60Hz
Functions	Max output current	16A
	Control	Optional
Product Size	Protection	Optional
	Product size	LxWxH=482.6x44.4x62mm(19")
	Mounting length	465mm
Color & Material	Color	Black or Aluminum alloy color
	Shell material	Aluminum alloy
	Plastic flame retardant rating	UL94V-0
Test Item	Hi-pot test	PASS
	Grounding	PASS
	IR	PASS
	Certificate	CE RoHS TUV SGS
Mounting	Mounting method	Horizontal or vertical installation
	Occupying space	1U

General description



- 19" Australia type PDUs are horizontal and vertical installation are optional, output available are 4 to 10way
- Over 19" Australia type PDUs are vertical installation, output available are more than 10way
- Height 1U and 1.5U are optional
- Cable length longer than 2M, more than 3x1.0mm<sup>2</sup>
- Kinds of control function and protection function are optional



Input Characteristics	Rated input voltage	250VAC 50/60Hz
	Type of plug	AS/NZS3112
	Cable specification	3x1.5mm <sup>2</sup>
	Cable length	2M
Output Characteristics	Max input current	15A
	Socket standard	AS/NZS3112
	Output quantity	Optional
	Rating output voltage	250VAC 50/60Hz
Functions	Max output current	15A
	Control	Optional
Product Size	Protection	Optional
	Product size	LxWxH=482.6x44.4x62mm(19")
	Mounting length	465mm
Color & Material	Color	Black or Aluminum alloy color
	Shell material	Aluminum alloy
	Plastic flame retardant rating	UL94V-0
Test Item	Hi-pot test	PASS
	Grounding	PASS
	IR	PASS
	Certificate	CE RoHS TUV SGS
Mounting	Mounting method	Horizontal or vertical installation
	Occupying space	1.5U



General description



- 19" Italian type PDUs are horizontal and vertical installation are optional, output available are 6 to 12way
- Over 19" Italian type PDUs are vertical installation ,output available are more than 12way
- Height 1U and 1.5U are optional
- Cable length is 2M, 3x1.5mm<sup>2</sup>, other length optional
- Kinds of control function and protection function are optional



Input Characteristics	Rated input voltage	250VAC 50/60Hz
	Type of plug	Italian plug
	Cable specification	3x1.5mm <sup>2</sup>
	Cable length	2M
	Max input current	10A
Output Characteristics	Socket standard	Italian type
	Output quantity	Optional
	Rating output voltage	250VAC 50/60Hz
	Max output current	10A
Functions	Control	Optional
	Protection	Optional
Product Size	Product size	LxWxH=482.6x44.4x62mm(19")
	Mounting length	465mm
Color & Material	Color	Black or Aluminum alloy color
	Shell material	Aluminum alloy
	Plastic flame retardant rating	UL94V-0
Test Item	Hi-pot test	PASS
	Grounding	PASS
	IR	PASS
	Certificate	CE RoHS
Mounting	Mounting method	Horizontal or vertical installation
	Occupying space	1U

General description



- 19" South Africa type PDUs are horizontal and vertical installation are optional, output available are 4 to 8way
- Over 19" South Africa type PDUs are vertical installation ,output available are more than 8way
- Height 1.5U only
- Cable length longer than 2M, more than 3x1.0mm<sup>2</sup>
- Kinds of control function and protection function are optional



Input Characteristics	Rated input voltage	250VAC 50/60Hz
	Type of plug	B5546
	Cable specification	3x1.5mm <sup>2</sup>
	Cable length	2M
	Max input current	16A
Output Characteristics	Socket standard	INDIA SOCKET
	Output quantity	Optional
	Rating output voltage	250VAC 50/60Hz
	Max output current	16A
Functions	Control	Optional
	Protection	Optional
Product Size	Product size	LxWxH=482.6x44.4x62mm(19")
	Mounting length	465mm
Color & Material	Color	Black or Aluminum alloy color
	Shell material	Aluminum alloy
	Plastic flame retardant rating	UL94V-0
Test Item	Hi-pot test	PASS
	Grounding	PASS
	IR	PASS
	Certificate	CE RoHS TUV SGS
Mounting	Mounting method	Horizontal or vertical installation
	Occupying space	1.5U

### General description



- 19" IEC type PDUs are horizontal and vertical installation are optional, output available are 4 to 11 way
- output can lock and prevent accidents
- Over 19" IEC type PDUs are vertical installation, output available are more than 11 way
- Height 1U and 1.5U are optional
- Cable length longer than 2M, more than 3x1.0mm<sup>2</sup>
- Kinds of control function and protection function are optional



Input Characteristics	Rated input voltage	250VAC 50/60Hz
	Type of plug	IEC320 C14
	Cable specification	3x1.5mm <sup>2</sup>
	Cable length	2M
Output Characteristics	Max input current	10A
	Socket standard	IEC320 C13
	Output quantity	Optional
	Rating output voltage	250VAC 50/60Hz
Functions	Max output current	10A
	Control	Optional
Product Size	Protection	Optional
	Product size	LxWxH=482.6x44.4x62mm(19")
Color & Material	Mounting length	465mm
	Color	Black or Aluminum alloy color
	Shell material	Aluminum alloy
	Plastic flame retardant rating	UL94V-0
Test Item	Hi-pot test	PASS
	Grounding	PASS
	IR	PASS
	Certificate	CE RoHS TUV SGS
Mounting	Mounting method	Horizontal or vertical installation
	Occupying space	1U

	<p><b>Code</b> GZ</p> <p><b>Name</b> Master overload</p> <p><b>Parameter</b> 10A/60A 250VAC</p>		<p><b>Code</b> SP</p> <p><b>Name</b> Single power indicator</p> <p><b>Parameter</b> 10A/16A 250VAC</p>
	<p><b>Code</b> GZS</p> <p><b>Name</b> Single controlled fuse device&amp;power indicator</p> <p><b>Parameter</b> 10A/60A 250VAC</p>		<p><b>Code</b> FW</p> <p><b>Name</b> Protective device</p> <p><b>Parameter</b> refer to sheet 003</p>
	<p><b>Code</b> XD1KP</p> <p><b>Name</b> Mini circuit breaker</p> <p><b>Parameter</b> 1A/60A</p>		<p><b>Code</b> XD2KP</p> <p><b>Plug Style</b> Mini circuit breaker</p> <p><b>Parameter</b> 1A/60A</p>
	<p><b>Code</b> KP</p> <p><b>Name</b> Lighted master switch</p> <p><b>Parameter</b> 10A/16A 250VAC</p>		<p><b>Code</b> KP-COWER</p> <p><b>Name</b> Master switch</p> <p><b>Parameter</b> 10A/16A 250VAC</p>
	<p><b>Code</b> SPD</p> <p><b>Name</b> Protective device</p> <p><b>Parameter</b> refer to sheet 003</p>		<p><b>Code</b> PSG</p> <p><b>Name</b> Protective device</p> <p><b>Parameter</b> refer to sheet 003</p>





S/N : LE-K003-C3  
Description: CAT3 UTP 90° 110 IDC  
Packing data: 1000EA/ctn  
Packing size (mm): 42x26.3x45



S/N : LE-K003-C5E  
Description: CAT5E UTP 90° 110 IDC  
Packing data: 1000EA/ctn  
Packing size (mm): 42x26.3x45



S/N : LE-K005-C3  
Description: CAT3 UTP 90° 110 IDC  
Packing data: 1000EA/ctn  
Packing size (mm): 42x26.3x45



S/N : LE-K022-C5E/C6/C6A (with cable holder)  
Description: CAT5E/6/6A UTP 90° Dual IDC  
Packing data: 1000EA/ctn  
Packing size (mm): 42x26.3x45



S/N : LE-K034-C5E/C6  
Description: RJ45-RJ45 UTP CAT5E/6  
Packing data: 1000EA/ctn  
Packing size (mm): 42x26.3x45



S/N : LE-K036-C5E/C6/C6A  
Description: RJ45-RJ45 UTP CAT5E/6/6A  
Packing data: 1000EA/ctn  
Packing size (mm): 42x26.3x45



S/N : LE-K005-C5E  
Description: CAT5E UTP 90° 110 IDC  
Packing data: 1000EA/ctn  
Packing size (mm): 42x26.3x45



S/N : LE-K008-C3  
Description: CAT3 UTP 90° 110 IDC  
Packing data: 1000EA/ctn  
Packing size (mm): 42x26.3x45



S/N : LE-K008-C5E/C6  
Description: CAT5E/6 UTP 90° 110 IDC  
Packing data: 1000EA/ctn  
Packing size (mm): 42x26.3x45



S/N : LE-K037-C5E/C6/C6A  
Description: RJ45-RJ45 UTP CAT5E/6/6A  
Packing data: 1000EA/ctn  
Packing size (mm): 42x26.3x45



S/N : LE-K044-C6  
Description: CAT6 UTP 180° Dual IDC  
Packing data: 1000EA/ctn  
Packing size (mm): 42x26.3x45



S/N : LE-K045-C5E/C6  
Description: CAT5E/6 UTP 180° Dual IDC  
Packing data: 1000EA/ctn  
Packing size (mm): 42x26.3x45



S/N : LE-K008S-C5E/C6  
Description: CAT5E/6 FTP 90° 110 IDC  
Packing data: 1000EA/ctn  
Packing size (mm): 42x26.3x45



S/N : LE-K009-C5E/C6  
Description: CAT5E/6 UTP 180° dual IDC  
Packing data: 1000EA/ctn  
Packing size (mm): 42x26.3x45



S/N : LE-K009D-C5E/C6 (with shutter)  
Description: CAT5E/6 UTP 180° dual IDC  
Packing data: 1000EA/ctn  
Packing size (mm): 42x26.3x45



S/N : LE-K050-C5E/C6/C6A  
Description: CAT5E/6/6A UTP Toolless 180°  
Packing data: 1000EA/ctn  
Packing size (mm): 42x26.3x45



S/N : LE-K050S-C5E/C6/C6A  
Description: CAT5E/6/6A FTP Toolless 180°  
Packing data: 1000EA/ctn  
Packing size (mm): 42x26.3x45



S/N : LE-K051-C5E/C6/C6A (with cable holder)  
Description: CAT5E/6/6A UTP Toolless 180°  
Packing data: 1000EA/ctn  
Packing size (mm): 42x26.3x45



S/N : LE-K010-C5E/C6  
Description: CAT5E/6 UTP 180° dual IDC  
Packing data: 1000EA/ctn  
Packing size (mm): 42x26.3x45



S/N : LE-K010D-C5E/C6 (with shutter)  
Description: CAT5E/6 UTP 180° dual IDC  
Packing data: 1000EA/ctn  
Packing size (mm): 42x26.3x45



S/N : LE-K017-C3  
Description: CAT3 UTP 90° Dual IDC  
Packing data: 1000EA/ctn  
Packing size (mm): 42x26.3x45



S/N : LE-K052-C5E/C6/C6A (with cable holder&Shutter)  
Description: CAT5E/6/6A UTP Toolless 180°  
Packing data: 1000EA/ctn  
Packing size (mm): 42x26.3x45



S/N : LE-K055-C5E/C6/C6A  
Description: CAT5E/6/6A UTP Toolless 180°  
Packing data: 1000EA/ctn  
Packing size (mm): 42x26.3x45



S/N : LE-K055S-C5E/C6/C6A  
Description: CAT5E/6/6A FTP Toolless 180°  
Packing data: 500EA/ctn  
Packing size (mm): 42x26.3x45



S/N : LE-K017-C5E/C6  
Description: CAT5E/6 UTP 90° Dual IDC  
Packing data: 1000EA/ctn  
Packing size (mm): 42x26.3x45



S/N : LE-K020-C3  
Description: CAT3 UTP 90° 110 IDC  
Packing data: 1000EA/ctn  
Packing size (mm): 42x26.3x45



S/N : LE-K020-C5E/C6  
Description: CAT5E/6 UTP 90° 110 IDC  
Packing data: 1000EA/ctn  
Packing size (mm): 42x26.3x45



S/N : LE-K056-C5E/C6/C6A  
Description: CAT5E/6/6A UTP Toolless 180°  
Packing data: 1000EA/ctn  
Packing size (mm): 42x26.3x45



S/N : LE-K060-C5E/C6/C6A  
Description: CAT5E/6/6A UTP Toolless 90°  
Packing data: 1000EA/ctn  
Packing size (mm): 42x26.3x45



S/N : LE-K604S-C5E/C6/C6A  
Description: CAT5E/6/6A FTP Toolless 180°  
Packing data: 1000EA/ctn  
Packing size (mm): 42x26.3x45





S/N : LE-K6055-C5E/C6/C6A  
Description: CAT5E/6/6A FTP Toolless 180°  
Packing data: 1000EA/ctn  
Packing size (mm): 42x26.3x45



S/N : LE-K10315-C6  
Description: CAT6 FTP Toolless 90°  
Packing data: 1000EA/ctn  
Packing size (mm): 42x26.3x45



S/N : LE-K2016-C5E/C6  
Description: CAT5E/6 UTP Krone IDC 90°  
Packing data: 1000EA/ctn  
Packing size (mm): 42x26.3x45



S/N : LE-K2027-C6  
Description: CAT6 UTP Dual IDC 180°  
Packing data: 1000EA/ctn  
Packing size (mm): 42x26.3x45



S/N : LE-K2037-C5E/C6  
Description: CAT5E/6 UTP Inline coupler  
Packing data: 1000EA/ctn  
Packing size (mm): 42x26.3x45



S/N : LE-K2039S-C5E  
Description: CAT5E FTP Inline coupler  
Packing data: 1000EA/ctn  
Packing size (mm): 42x26.3x45



S/N : LE-K2053-C5/C6  
Description: CAT5E/6 UTP Krone IDC 90°  
Packing data: 1000EA/ctn  
Packing size (mm): 42x26.3x45

General description

- Termination: Dual IDC, 110 IDC, Krone IDC
- Punching duration: ≥ 250 times
- Insulation resistance: 500M-ohm
- IDC contact material: phosphor bronze with gold plating over nickel
- Housing material: ABS or PC, UL 94-VO or UL94-V2
- Fitting for 22AWG/23AWG/24AWG/26AWG solid wires
- Inserting duration: ≥ 750times
- Dielectric Withstand Voltage: 1000V AC RMS, 60Hz 1 min
- Panel frame: Black or Ivory electrostatic powder-coated steel
- Meet ISO/IEC 11801, TIA/EIA568C PCB unitary type



S/N : LE-P2512L  
Description: 10\* 1U CAT5E/CAT6 UTP 12Port  
Packing data: 25EA/ctn  
Packing size (mm): 47x29x32



S/N : LE-P2512P  
Description: 10\* 1U CAT5E/CAT6 UTP 12Port Wall mounting  
Packing data: 25EA/ctn  
Packing size (mm): 47x29x32



S/N : LE-P2612L  
Description: 10\* 1U CAT5E/CAT6 UTP 12Port  
Packing data: 25EA/ctn  
Packing size (mm): 48x28x29.5



S/N : LE-P2612P  
Description: 10\* 1U CAT5E/CAT6 UTP 12Port Wall mounting  
Packing data: 25EA/ctn  
Packing size (mm): 48x28x29.5



S/N : LE-P3027P  
Description: 10\* 1U CAT6 UTP 6Port wall mounting  
Packing data: 25EA/ctn  
Packing size (mm): 47x29x32



S/N : LE-P3028P  
Description: 10\* 1U CAT6 UTP 8Port wall mounting  
Packing data: 25EA/ctn  
Packing size (mm): 47x29x32

w  
w  
w  
.  
n  
b  
l  
e  
i  
t  
.  
c  
o  
m

w  
w  
w  
.  
n  
b  
l  
e  
i  
t  
.  
c  
o  
m



Patch Panel



S/N : LE-P3221  
Description: 10" 1U CAT6/CAT5E UTP 6Port  
Packing data: 25EA/ctn  
Packing size (mm): 47x29x32



S/N : LE-P1024  
Description: 19" 1U 24Port CAT6 UTP with cable Management  
Packing data: 20EA/ctn  
Packing size (mm): 53x26.3x51



S/N : LE-P1124  
Description: 19" 1U 24Port CAT6 UTP with cable Management  
Packing data: 20EA/ctn  
Packing size (mm): 53x26.3x51



S/N : LE-P2424  
Description: 19" 1U CAT5E UTP 24Port  
Packing data: 20EA/ctn  
Packing size (mm): 53x26.3x51



S/N : LE-P2524  
Description: 19" 1U CAT5E/CAT6 UTP 24Port Cable Management option  
Packing data: 20EA/ctn  
Packing size (mm): 53x26.3x51



S/N : LE-P2612  
Description: 19" 1U CAT5E/CAT6 UTP 12Port  
Packing data: 20EA/ctn  
Packing size (mm): 53x26.3x51



S/N : LE-P2624  
Description: 19" 1U CAT5E/CAT6 UTP 24Port Cable Management option  
Packing data: 20EA/ctn  
Packing size (mm): 53x26.3x51



S/N : LE-P2824  
Description: 19" 1U CAT6 UTP 24Port  
Packing data: 20EA/ctn  
Packing size (mm): 53x26.3x51



S/N : LE-P2924D  
Description: 19" 1U CAT6 UTP 24Port with shutter  
Packing data: 25EA/ctn  
Packing size (mm): 47x29x32



S/N : LE-P3012  
Description: 19" 1U CAT3 UTP 25Port 110 IDC 90°  
Packing data: 20EA/ctn  
Packing size (mm): 53x26.3x51

Patch Panel



S/N : LE-P3018  
Description: 19" 1U CAT5E/CAT6 UTP 24Port  
Packing data: 20EA/ctn  
Packing size (mm): 53x26.3x51



S/N : LE-P3217  
Description: 19" 1U CAT6/CAT5E UTP 24Port 90°  
Packing data: 20EA/ctn  
Packing size (mm): 53x26.3x51



S/N : LE-P3223  
Description: 19" 1U CAT6/CAT5E UTP 24Port Krone IDC  
Packing data: 20EA/ctn  
Packing size (mm): 53x26.3x51



S/N : LE-P3224  
Description: 19" 1U 24Port CAT5E/CAT6 UTP with cable Management  
Packing data: 20EA/ctn  
Packing size (mm): 53x26.3x51



S/N : LE-P3224D  
Description: 19" 1U 16Port CAT6A/CAT6/CAT5E UTP  
Packing data: 20EA/ctn  
Packing size (mm): 53x26.3x51



S/N : LE-P3224E  
Description: 19" 1U 24Port CAT6A/CAT6/CAT5E UTP  
Packing data: 20EA/ctn  
Packing size (mm): 53x26.3x51



S/N : LE-P3228  
Description: 19" 1U 24Port CAT5E UTP 110 IDC  
Packing data: 20EA/ctn  
Packing size (mm): 53x26.3x51



S/N : LE-P3236  
Description: 19" 1U 48Port CAT6/CAT5E UTP 90°  
Packing data: 20EA/ctn  
Packing size (mm): 53x26.3x51



S/N : LE-P3237  
Description: 19" 1U 24Port CAT5E UTP Krone IDC 90°  
Packing data: 20EA/ctn  
Packing size (mm): 53x26.3x51



S/N : LE-P3310  
Description: 19" 1U 24Port CAT6A/CAT6/CAT5E UTP  
Packing data: 20EA/ctn  
Packing size (mm): 53x26.3x51



Patch Panel



S/N : LE-P5324  
Description: 19" 1U CAT5E/CAT6 UTP 24Port Krone IDC 90°  
Packing data: 20EA/ctn  
Packing size (mm): 53x26.3x51



S/N : LE-P2248  
Description: 19" 2U 48Port UTP with 2 Cable Management  
Packing data: 20EA/ctn  
Packing size (mm): 53x26.3x51



S/N : LE-P2448  
Description: 19" 1U CAT5E UTP 48Port  
Packing data: 20EA/ctn  
Packing size (mm): 53x26.3x51



S/N : LE-P2548  
Description: 19" 2U CAT5E/CAT6 UTP 48Port Cable Management option  
Packing data: 20EA/ctn  
Packing size (mm): 53x26.3x51



S/N : LE-P2648  
Description: 19" 2U CAT5E/CAT6 UTP 48Port Cable Management option  
Packing data: 20EA/ctn  
Packing size (mm): 53x26.3x51



S/N : LE-P3013  
Description: 19" 2U CAT3 UTP 50Port 110 IDC 90°  
Packing data: 20EA/ctn  
Packing size (mm): 53x26.3x51



S/N : LE-P3248  
Description: 19" 2U 48Port CAT5E/CAT6 UTP with cable Management  
Packing data: 20EA/ctn  
Packing size (mm): 53x26.3x51



S/N : LE-P5348  
Description: 19" 2U CAT5E/CAT6 UTP 48Port Krone IDC 90°  
Packing data: 20EA/ctn  
Packing size (mm): 53x26.3x51



S/N : LE-P5548  
Description: 19" 2U CAT5E/CAT6 UTP 48Port Krone IDC 90°  
Packing data: 20EA/ctn  
Packing size (mm): 53x26.3x51



S/N : LE-P2696  
Description: 19" 3U CAT5E/CAT6 UTP 48Port Cable Management option  
Packing data: 10EA/ctn  
Packing size (mm): 53x53x32

Patch Panel



S/N : LE-P5308S  
Description: CAT5E/CAT6 FTP 8Port Krone IDC  
Packing data: 25EA/ctn  
Packing size (mm): 47x29x32



S/N : LE-P5608SRL  
Description: 8Port FTP CAT6A with Cable Management and earth cable  
Packing data: 25EA/ctn  
Packing size (mm): 47x29x32



S/N : LE-P3250S  
Description: 10" 1U 12Port CAT6A/CAT6/CAT5E FTP 90°  
Packing data: 25EA/ctn  
Packing size (mm): 47x29x32



S/N : LE-P5312S  
Description: 10" CAT5E/CAT6 FTP 12Port Krone IDC  
Packing data: 25EA/ctn  
Packing size (mm): 47x29x32



S/N : LE-P3217S  
Description: 19" 1U CAT6A FTP 24Port 90°  
Packing data: 20EA/ctn  
Packing size (mm): 53x26.3x51



S/N : LE-P3217SS  
Description: 19" 1U CAT6A/CAT6/CAT5E STP 24Port Silver cover 90°  
Packing data: 20EA/ctn  
Packing size (mm): 53x26.3x51



S/N : LE-P3245S  
Description: 19" 1U 24Port FTP with cable Management Blank  
Packing data: 20EA/ctn  
Packing size (mm): 53x26.3x51



S/N : LE-P3246S  
Description: 19" 1U 24Port FTP with cable Management Blank  
Packing data: 20EA/ctn  
Packing size (mm): 53x26.3x51



S/N : LE-P3262S  
Description: 19" 0.5U 24Port CAT6A/CAT6/CAT5E FTP  
Packing data: 20EA/ctn  
Packing size (mm): 53x26.3x51



S/N : LE-P5324S  
Description: 19" 1U CAT5E/CAT6 FTP 24Port Krone IDC 90°  
Packing data: 20EA/ctn  
Packing size (mm): 53x26.3x51



Patch Panel



S/N : LE-P5324SB  
Description: 19" 0.5U CAT5E/CAT6/CAT6A FTP 24Port Krone IDC 90°  
Packing data: 20EA/ctn  
Packing size (mm): 53x26.3x51



S/N : LE-P5324SR  
Description: 19" 1U CAT5E/CAT6/CAT6A FTP 24Port Krone IDC 90°  
Packing data: 20EA/ctn  
Packing size (mm): 53x26.3x51



S/N : LE-P5524S  
Description: 19" 1U CAT5E/CAT6 FTP 24Port Krone IDC 90°  
Packing data: 20EA/ctn  
Packing size (mm): 53x26.3x51



S/N : LE-P5524SU  
Description: 19" 1U CAT6 FTP 24Port Krone IDC 90°  
Packing data: 20EA/ctn  
Packing size (mm): 53x26.3x51



S/N : LE-P5348S  
Description: 19" 2U CAT5E/CAT6 FTP 48Port Krone IDC 90°  
Packing data: 20EA/ctn  
Packing size (mm): 53x26.3x51



S/N : LE-P3252S  
Description: 10" 1U 12Port Blank  
Packing data: 25EA/ctn  
Packing size (mm): 47x29x32



S/N : LE-P3812  
Description: 10" 1U 12Port Blank  
Packing data: 20EA/ctn  
Packing size (mm): 53x26.3x51



S/N : LE-P3516  
Description: 1U 16Port Blank  
Packing data: 25EA/ctn  
Packing size (mm): 47x29x32



S/N : LE-P3311S  
Description: 19" 1U 24Port Blank U/FTP with cable management  
Packing data: 20EA/ctn  
Packing size (mm): 53x26.3x51



S/N : LE-P3315S  
Description: 19" 1U 48Port Blank U/FTP with cable management  
Packing data: 20EA/ctn  
Packing size (mm): 53x26.3x51

Patch Panel



S/N : LE-P3424  
Description: 19" 0.5U 24Port SUS304 with 2cable Management Blank  
Packing data: 20EA/ctn  
Packing size (mm): 53x26.3x51



S/N : LE-P3624  
Description: 19" 1U 24Port Blank  
Packing data: 20EA/ctn  
Packing size (mm): 53x26.3x51



S/N : LE-P3724  
Description: 19" 1U 24Port with cable Management Blank  
Packing data: 20EA/ctn  
Packing size (mm): 53x26.3x51



S/N : LE-P3724S  
Description: 19" 1U 24Port with cable Management Blank FTP  
Packing data: 20EA/ctn  
Packing size (mm): 53x26.3x51



S/N : LE-P3824  
Description: 19" 1U 24Port with cable Management Blank  
Packing data: 20EA/ctn  
Packing size (mm): 53x26.3x51



S/N : LE-P3924  
Description: 19" 1U 24Port with cable Management Blank  
Packing data: 20EA/ctn  
Packing size (mm): 53x26.3x51



S/N : LE-P4001  
Description: 19" 1U 24port UTP with cable Management & duct cover Blank  
Packing data: 20EA/ctn  
Packing size (mm): 53x26.3x51



S/N : LE-P4001J  
Description: 19" 1U 24port UTP with cable Management triangle Blank  
Packing data: 20EA/ctn  
Packing size (mm): 53x26.3x51



S/N : LE-P4055  
Description: 19" 1U UTP 24Port with cable Management blank  
Packing data: 20EA/ctn  
Packing size (mm): 53x26.3x51



S/N : LE-P3317S  
Description: 19" 2U 48Port Blank U/FTP with cable management  
Packing data: 20EA/ctn  
Packing size (mm): 53x26.3x51



Patch Panel



S/N : LE-P3208  
Description: 19" 1U CAT3 UTP 8P4C 25Port Krone IDC 90°  
Packing data: 20EA/ctn  
Packing size (mm): 53x26.3x51



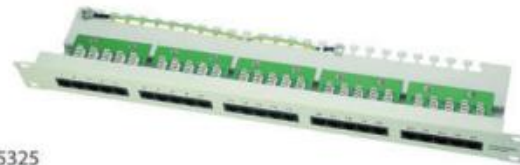
S/N : LE-P3209  
Description: 19" 1U CAT3 UTP 8P4C 50Port Krone IDC 90°  
Packing data: 20EA/ctn  
Packing size (mm): 53x26.3x51



S/N : LE-P3214  
Description: 19" 1U CAT3 UTP 8P8C 25Port Krone IDC 90°  
Packing data: 20EA/ctn  
Packing size (mm): 53x26.3x51



S/N : LE-P5225  
Description: 19" 1U CAT3 UTP 25Port Krone IDC 90°  
Packing data: 20EA/ctn  
Packing size (mm): 53x26.3x51



S/N : LE-P5325  
Description: 19" 1U CAT3 UTP 25Port Krone IDC 90°  
Packing data: 20EA/ctn  
Packing size (mm): 53x26.3x51



S/N : LE-P5425  
Description: 19" 1U CAT3 UTP 25Port Krone IDC 90°  
Packing data: 20EA/ctn  
Packing size (mm): 53x26.3x51



S/N : LE-P5250  
Description: 19" 2U CAT3 UTP 50Port Krone IDC 90°  
Packing data: 20EA/ctn  
Packing size (mm): 53x26.3x51



S/N : LE-P5350  
Description: 19" 2U CAT3 UTP 50Port Krone IDC 90°  
Packing data: 20EA/ctn  
Packing size (mm): 53x26.3x51



S/N : LE-P5350R  
Description: 19" 2U CAT3 UTP 50Port Krone IDC 90°  
Packing data: 20EA/ctn  
Packing size (mm): 53x26.3x51

Surface Box



S/N : LE-S019  
Size (mm): 65x50x27 Material: ABS Port: 1  
Packing data: 500EA/ctn  
Packing size (mm): 56x31x40



S/N : LE-S020  
Size (mm): 70x60x27 Material: ABS Port: 2  
Packing data: 500EA/ctn  
Packing size (mm): 85x31x40



S/N : LE-S021  
Size (mm): 65x50x27 Material: ABS Port: 1  
Packing data: 500EA/ctn  
Packing size (mm): 56x31x40



S/N : LE-S022  
Size (mm): 70x60x27 Material: ABS Port: 2  
Packing data: 500EA/ctn  
Packing size (mm): 85x31x40



S/N : LE-S023  
Description: UTP CAT5E/CAT6  
Size (mm): 65x50x27 Material: ABS Port: 1  
Packing data: 500EA/ctn  
Packing size (mm): 56x31x40



S/N : LE-S023S  
Description: FTP CAT5E/CAT6  
Size (mm): 65x50x27 Material: ABS Port: 1  
Packing data: 500EA/ctn  
Packing size (mm): 56x31x40



S/N : LE-S024  
Size (mm): 70x60x27 Material: ABS Port: 2  
Packing data: 500EA/ctn  
Packing size (mm): 85x31x40



S/N : LE-S024S  
Size (mm): 70x60x27 Material: ABS Port: 2  
Packing data: 500EA/ctn  
Packing size (mm): 85x31x40



Face Plate



S/N : LE-F001  
Port: 2  
Size (mm): 86x86



S/N : LE-F002  
Port: 2  
Size (mm): 86x86



S/N : LE-F003  
Port: 4  
Size (mm): 86x145



S/N : LE-F004  
Port: 4  
Size (mm): 86x145



S/N : LE-F005  
Port: 4  
Size (mm): 86x150



S/N : LE-F006  
Port: 1  
Size (mm): 86x86



S/N : LE-F007  
Port: 2  
Size (mm): 86x86



S/N : LE-F008  
Port: 3  
Size (mm): 86x86



S/N : LE-F009  
Port: 4  
Size (mm): 86x86



S/N : LE-F010  
Port: 1  
Size (mm): 22.5x45



S/N : LE-F011  
Port: 1  
Size (mm): 45x45



S/N : LE-F015  
Port: 1  
Size (mm): 86x86



S/N : LE-F016  
Port: 2  
Size (mm): 86x86



S/N : LE-F017  
Port: 1  
Size (mm): 86x86



S/N : LE-F018  
Port: 2  
Size (mm): 86x86

Face Plate



S/N : LE-F019  
Port: 1  
Size (mm): 86x86



S/N : LE-F020  
Port: 2  
Size (mm): 86x86



S/N : LE-F021  
Port: 1  
Size (mm): 86x86



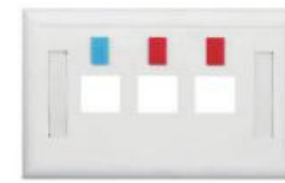
S/N : LE-F022  
Port: 2  
Size (mm): 86x86



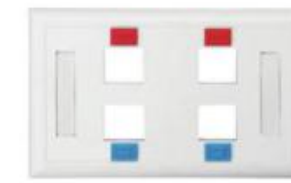
S/N : LE-F041  
Port: 1  
Size (mm): 120x80



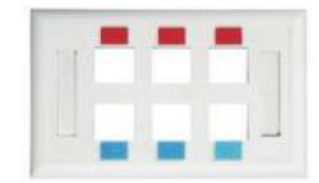
S/N : LE-F042  
Port: 2  
Size (mm): 120x80



S/N : LE-F043  
Port: 4  
Size (mm): 120x80



S/N : LE-F044  
Port: 4  
Size (mm): 120x80



S/N : LE-F046  
Port: 6  
Size (mm): 120x80



S/N : LE-F051  
Port: 1  
Size (mm): 114x76



S/N : LE-F052  
Port: 2  
Size (mm): 114x76



S/N : LE-F1002S  
Port: 2  
Size (mm): 86x86



S/N : LE-F1003  
Port: 2  
Size (mm): 86x86

Bottom Box



S/N : LE-B080A  
 Size (mm): 80x80x37 Material: ABS  
 Packing data: 400pcs/Box  
 Packing size (mm): 71x39x45



S/N : LE-B080B  
 Size (mm): 80x80x37 Material: ABS  
 Packing data: 400pcs/Box  
 Packing size (mm): 71x39x45



S/N : LE-B086A  
 Size (mm): 86x86x37 Material: ABS  
 Packing data: 400pcs/Box  
 Packing size (mm): 71x39x45



S/N : LE-B086B  
 Size (mm): 86x86x37 Material: ABS  
 Packing data: 400pcs/Box  
 Packing size (mm): 71x39x45



S/N : LE-B086C  
 Size (mm): 86x86x32 Material: ABS  
 Packing data: 400pcs/Box



S/N : LE-B120A  
 Size (mm): 114x76x36 Material: ABS  
 Packing data: 300pcs/Box  
 Packing size (mm): 71x39x45



S/N : LE-B120B  
 Size (mm): 150x80x37 Material: ABS  
 Packing data: 300pcs/Box  
 Packing size (mm): 71x39x45

Plug



S/N : LE-G001S  
 Description: 8P8C RJ45 FTP  
 Thickness: 3U Leg: 2/3  
 Cable Management: without  
 Packing data: 10000EA/ctn  
 Packing size (mm): 49x33x28



S/N : LE-G002S  
 Description: 8P8C RJ45 FTP  
 Thickness: 3U Leg: 2/3  
 Cable Management: with  
 Packing data: 10000EA/ctn  
 Packing size (mm): 49x33x28



S/N : LE-G003  
 Description: 8P8C RJ45 UTP  
 Thickness: 3U Leg: 2/3  
 Cable Management: without  
 Packing data: 10000EA/ctn  
 Packing size (mm): 49x33x28



S/N : LE-G004  
 Description: 8P8C RJ45 UTP  
 Thickness: 3U Leg: 2/3  
 Cable Management: with  
 Packing data: 10000EA/ctn  
 Packing size (mm): 49x33x28



S/N : LE-G005  
 Description: 6P6C/6P4C UTP  
 Thickness: 3U Leg: 2/3  
 Cable Management: without  
 Packing data: 10000EA/ctn  
 Packing size (mm): 49x33x28



S/N : LE-G006  
 Description: 4P4C/4P2C UTP  
 Thickness: 3U Leg: 2/3  
 Cable Management: without  
 Packing data: 10000EA/ctn  
 Packing size (mm): 49x33x28



S/N : LE-G007  
 Description: 6P2C UTP  
 Thickness: 3U Leg: 2/3  
 Cable Management: without  
 Packing data: 10000EA/ctn  
 Packing size (mm): 49x33x28



S/N : LE-G008S  
 Description: CAT6A/CAT7 FTP  
 Thickness: 3U Leg: 2/3  
 Cable Holder: with  
 Packing data: 10000EA/ctn  
 Packing size (mm): 49x33x28



S/N : LE-G009  
 Description: CAT5E/CAT6 UTP  
 Thickness: 3U  
 Cable Holder: with  
 Other: toolless  
 Packing data: 10000EA/ctn  
 Packing size (mm): 42x26.3x45



S/N : LE-G010S  
 Description: CAT6/CAT6A FTP  
 Thickness: 3U  
 Cable Holder: with  
 Other: toolless  
 Packing data: 10000EA/ctn  
 Packing size (mm): 42x26.3x45



S/N : LE-G40AS  
Description: 8P8C FTP  
Thickness: 3U  
Cable Holder: with  
Other: toolless  
Packing data: 1000EA/ctn  
Packing size (mm): 42x26.3x45



S/N : LE-G40B  
Description: 8P8C UTP  
Thickness: 3U  
Cable Holder : with  
Other: toolless  
Packing data: 1000EA/ctn  
Packing size (mm): 42x26.3x45



S/N : LE-G40BS  
Description: 8P8C FTP  
Thickness: 3U  
Cable Holder: with  
Other: toolless  
Packing data: 1000EA/ctn  
Packing size (mm): 42x26.3x45



S/N : LE-G601  
Description: 8P8C UTP  
Thickness: 3U  
Cable Holder: with  
Other: toolless  
Packing data: 1000EA/ctn  
Packing size (mm): 42x26.3x45



S/N : LE-G601S  
Description: 8P8C FTP  
Thickness: 3U  
Cable Holder: with  
Other: toolless  
Packing data: 1000EA/ctn  
Packing size (mm): 42x26.3x45



S/N : LE-G602AS  
Description: 8P8C FTP  
Thickness: 3U  
Cable Holder: with  
Other: toolless  
Packing data: 1000EA/ctn  
Packing size (mm): 42x26.3x45



S/N : LE-G602BS  
Description: 8P8C FTP  
Thickness: 3U  
Cable Holder: with  
Other: toolless  
Packing data: 1000EA/ctn  
Packing size (mm): 42x26.3x45



S/N : LE-G603AS  
Description: 8P8C FTP  
Thickness: 3U  
Cable Holder: with  
Other: toolless  
Packing data: 1000EA/ctn  
Packing size (mm): 42x26.3x45



S/N : LE-G603BS  
Description: 8P8C FTP  
Thickness: 3U  
Cable Holder: with  
Other: toolless  
Packing data: 1000EA/ctn  
Packing size (mm): 42x26.3x45



S/N : LE-G603CS  
Description: 8P8C FTP  
Thickness: 3U  
Cable Holder: with  
Other: toolless  
Packing data: 1000EA/ctn  
Packing size (mm): 42x26.3x45



S/N : LE-G603DS  
Description: 8P8C FTP  
Thickness: 3U  
Cable Holder: with  
Other: toolless  
Packing data: 1000EA/ctn  
Packing size (mm): 42x26.3x45



LE-23A



LE-23B



The Pixian fiber optic wire stripper, also known as stripping wire strippers, FTTH FTTH tool applicable to covered wire fiber optic cable

S/N	LE-23A	LE-23B
Description	Available for fiber optic (core of conductor 1-2 pieces), reinforcing materials and FRP, forbidden cutting reinforcing metal fiber optic	Available for fiber optic (core of conductor 1-2 pieces), reinforcing materials, FRP and metal fiber optic
Size	4.5" (115mm)	
Scope	3.1x2.0mm Pixian fiber optic cable	
Service life	2000 times	

LE-113



LE-223A



LE-223H



S/N	LE-223A	LE-113	LE-223H
Description	Three stripping guides for 2mm outer jacket, 900um buffer insulation and 250um buffer (acrylate coating).	W/Adjusting Mechanism for special gauges, can manually adjust the special gauges	
Size	5.1" (130mm)		
Material	Middle Carbon Steel with Hardened & Black Oxide Finished		



Tools (cable stripper)



LE-223M

S/N	LE-223M
Description	Precise Cutter & Stripper For Stripping Wire From 30 To 10 AWG(UP TO 0.5~4.0mm) With Spring Return Action and an additional hook
Size	5.1"(130mm)
Weight	72g
Material	Middle Carbon Steel With Hardened



LE-224A



LE-224D

S/N	LE-224A	LE-224D
Description	Simply lock a F connector into socket it onto a stripped cable end	3 in 1 tool One end to enlarge space between shield and insulation for RG59, another and for RG 6.the other end lock F connector into tool socket and twist it onto a stripped cable end
Size	3.93"(100mm)	



LE-312A-B-S-X



LE-322

- LE-322 with streamlined design, no replacement' cassette is needed and no adjustment for V-block' Tool has been preset for RG58/59/6
- For stripping different materials of cable, use th' built-in hex key to align the sensitive socket and' adjust the blade for good results
- Size:4.3"(108mm)

S/N	For stripping RG cable
LE-322	RG-58/59/62/6
LE-312A	RG-59/62/6/4C/5C
LE-312B	RG-58/59/62/3C/4C
LE-312X	FOR CABLE O.D.FROM 3.5~5mm
LE-312S	FOR BIG CABLE O.D AROUND 10.50

Tools (cable stripper)

- Light weight, compact, cost-effective stripper is simple to operate
- Stripping the coaxial jacket and inner conductor in one operation by rotating the stripper in clockwise direction 3-6 times, easy and effective
- NO adjustments needed
- Size:4.3"(108mm)

S/N	LE-323
For stripping RG cable	RG59/62/6/11/7/213/8



LE-323



LE-325



LE-335

Replacement blade: LE-3251

S/N	LE-325	LE-335
Stripping Distance	Strip cables from 4.5-25mm (.18"-1.0")diameter	Strip cables from 25-36mm (1.0"-1.4")diameter
For stripping RG cable	Plastic	
Size	6"(150mm)	



LE-308M



LE-318M



LE-328M

Size:3.5"(89mm)

S/N	LE-308M	For stripping wire diameter 5-6.2mm. Made of poly resin, economic type.
	LE-318M	For stripping wire diameter 5-6.2mm. Top end for 110/88 type insertion use.
	LE-328M	For stripping wire diameter 5-6.2mm. Top end for 110/88 type insertion use.





- ▣ The V-block can be reversed, and the indication arrow "→" show recommended cable size. Stripping distance can be changed if user moves one of the stripping blades. (AS FIG. 2)
- ▣ Stripping the coaxial jacket and inner conductor in one operation by rotating the stripper in clockwise direction 3-6 times, easy and effective
- ▣ For stripping different materials of cable, use the built-in hex key to align the sensitive socket and adjust the blade for good results
- ▣ Size: 3.9"(99mm)

S/N	For stripping RG cable
LE-332	RG-58/59/62/6/6QS/3C/4C/5C
LE-302A	RG-59/62/6/4C/5C
LE-302B	RG-58/59/62/3C/4C

- ▣ Light weight, compact, cost-effective stripper, simple to operate
- ▣ Adjustable stripping blade for different insulation thickness, prevents damage of shielding and conductors
- ▣ The cassette can be reversed to change different coaxial cable
- ▣ Easily to adjust with thumb screw
- ▣ Size: 4.9"(125mm)

S/N	LE-352	
		Strips outer jacket of UTP and STP cable and CAT-5 round telephone cable
		Strips RG59/6/11/7 coaxial cable
		Strips flat telephone cable
		With cable cutter



S/N	LE-501E
For stripping RG cable	RG59/62/6/11/7/213/8
Stripping Distance	2blades model RG59/6 D=4mm(1/8") RG59/6 D=6.35mm(1/4") RG11/7 D=6.35mm(1/4")
Size	5.4"(137mm)



- ▣ A versatile wire stripper of sturdy construction capable of cutting and stripping flexible from 0.2 to 4mm. without any adjustment
- ▣ Blade pressure can be adjusted for external sheaths of 3 core cables
- ▣ Also feature a cable cutter
- ▣ Size: 3.9"(99mm)



S/N	LE-701A
Stripping Wire Size	0.5/1.2/1.5/2.0MM (AWG 24/16/14/12)
Size	6.7"(170mm)



S/N	LE-766
Stripping Wire Size	0.5-6.0MM (AWG 24-10)
Size	8.2"(210mm)



LE-3130  
Size: 3.9"(99mm)



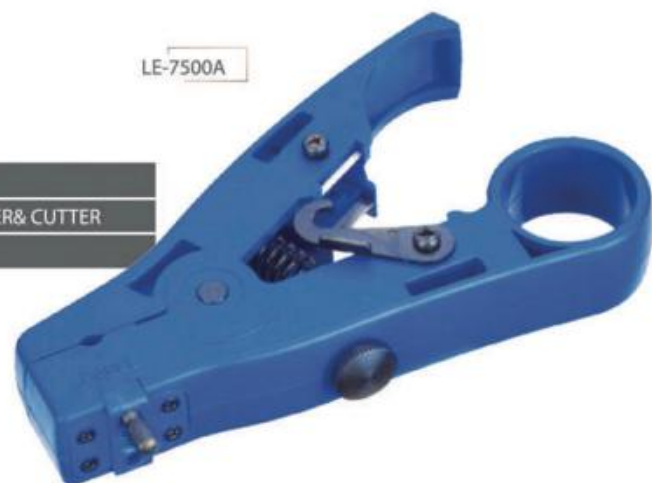
S/N	LE-998
Crimping Size	UAL,UBCO, UYCO, UG,UR,UY, UB UIB, UIY, UIR, UDW,UDM, SUPER-MINI, CROSS
Size	6.3"(159mm)



- For security system use
- Remove BNC/F connectors in high density or hard-to-reach locations

S/N	LE-2206	LE-2206F
Blade Length	6"(156±5mm)	
BNC	✓	
F		✓

S/N	LE-7500A
Description	UTP/STP.FLAT CABLE STRIPPER& CUTTER
Size	5"(127mm)



S/N	LE-7501A
Stripper dimension"D"	"D"6.4mm
Size	5"(127mm)



S/N	LE-7502A	
Stripper dimension"D" "E"	"D"8.0mm	"E"4.0mm
Size	5"(127mm)	



S/N	LE-C147
For Cutting	For cutting Kevlar of fiber optic cable
Size	5.8"(147mm)



S/N	LE-S143
Description	Three stripping guides for 2mm outer jacket, 900um buffer insulation and 250um buffer(acrylate coating). W/Adjusting Mechanism for special gauges, can manually adjust the special gauges
Size	6.3"(160mm)



- 6.5"5 in 1, precise cutter &stripper with comfortable thickness handle
- Made by CNC grinding
- Wire stripper, wire cutter, steel wire cutter, pliers, wire loop with grinding blades for sharp cutter &stripper
- Laser marked gauges including AWG &mm

S/N	Applicable for stripping wire stze								
LE-5021	AWG	Stranded	12	14	16	18	20	22	24
		Single	10	12	14	16	18	20	22
		mm	2.6	2	1.6	1.3	1	0.8	0.6





LE-110

- Blades are made of hardened SNCM-2
- All are interchange and reversible
- Size: 7.4"(188mm)



LE-118

- Works on computer networking/cabling
- Specially-made toll head ensures durability
- Size: 6.1"(155mm)



LE-156

- Use on telecom terminal block
- Size: 6.1"(155mm)



LE-304

- Blades are made of hardened SNCM-21
- All are interchange and reversible
- Size: 5.5"(140mm)



LE-315DR

- For use on Lan and Telecom, seating 4 or 5 pairs UTP(24 AWG)at a time
- Suitable for both 110 type cable side and cross-connect side terminals blocks
- The termination block heel w/blades are changeable and reversible. One end for seating and cutting off wires, and the other end for seating wires only
- Size: 4.3"(108mm)



LE-3140

- With adjustable impact pressure control
- The storage on the top of tool is for storing one piece of spare blade
- Blades are interchangeable and reversible
- Size: 7.1"(180mm)



LE-320

- Insertion tool of northern telecom type
- Spring loaded for seating and removing wires easily
- For seating wire into northern telecom terminal block
- Size: 5.7"(144.5mm)



LE-3141



LE-3141A



LE-3141B

- Suitable for connecting cables, modules and distribution frames
- Various products make the job more convenient
- Speciacy-made tool head ensures durability
- Combination hook
- Size: LE-3141~7.3"(185mm);LE-3141A~7.1"(180mm);LE-3141B~4.8"(122mm)

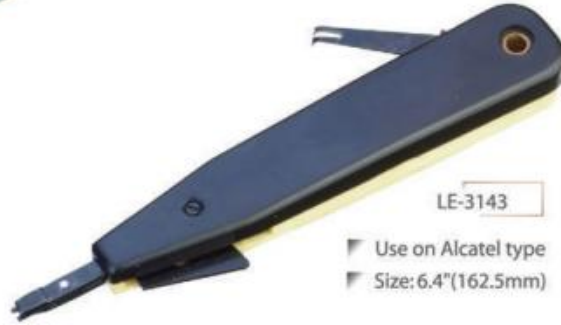
LE-3142

- Use on Siemens type
- Size: 6.5"(165mm)



LE-3143

- Use on Alcatel type
- Size: 6.4"(162.5mm)



LE-3144

- Use on 10 pairs Module (tyco type)
- Size: 6.1"(155mm)



LE-3240

- With adjustable impact pressure control
- The storage on the top of tool is for storing one piece of spare blade
- Blades are interchangeable and reversible
- Size: 4.5"(114mm)



LE-3640

- LE-3640 series is non impact type
- Size: 5.7"(145mm)



LE-9140

- LE-9140 series is with impact & adjustable HI-LO Pressure selector
- A built-in combination hook/spludger for tracing and removing wires
- Twist-lock style holder provides quick, easy blade changes and prevents pullout an additional safe storage for one more spare blade
- Interchange cable and reversible blades
- Size: 5.9"(150mm)



LE-26B

- All metal constructions, rigid type. For crimping stranded wire only
- Size: 8"(203mm)



S/N	For crimping modular plug
LE-26B	Normal 6P6C/RJ-12, 6P4C/RJ-11 & 6P British Plug

LE-46

- Size: 7.9"(200mm)

S/N	For crimping modular plug
LE-46	6P6C/R-12 & 6P4C/RJ-11 & 6P2C, 4P4C & 4P2C
LE-86	8P8C/RJ-45 6P6C/RJ12 6P4C/RJ-11 & 6P2C



LE-86

LE-200A/2008A

- Straight motion professional type, provide precise operation with key way in & P modular holder
- Modular holders are made of AL-ZN Alloy light weight & durable
- Suitable for both stranded & solid wire (UTP/STP)
- Tool 200A/200AR/200/200R design with 10 position punches. For crimping 8P8C plug, please use AMP 8P8C plug with 2 extra cavities on
- Tool 2008A/2008AR/2008/2008R design with 10 position punches. For crimping the ordinary 8P8C plug, this kind of 8P plug without additional cavity on
- Adjusting the 6P guide: use a flat (slot) screw driver to set the guide to right side for crimping normal 6P plug and set the guide to left side for crimping DEC plug
- Built-in round cable stripper
- Size: 7.6"(192mm)



LE-200AR/2008AR



S/N	For crimping modular plug	Ratchet
200A	10P10C, AMP 8P8C/RJ-45, 6P6C/RJ-12, 6P4C/RJ-11, 4P4C & 4P2C PLUGS & DEC/OFF SET PLUG-6P6C	No
200AR		Yes
2008A	8P8C/RJ-45, 6P6C/RJ-12, 6P4C/RJ-11, 4P4C & 4P2C PLUGS & DEC/OFF SET PLUG-6P6C	No
2008AR		Yes



- Frame made of steel with cushion handles for comfortable operation
- Size: 7.9"(200mm)

S/N	For Crimping Modular Plug
LE-202A	For computer pins & sockets, D-sub 26-28 AWG wire For butt-insulated connectors, 22-26 AWG wire For telephone piercing spade lugs, 22-26 AWG wire For open barrel connectors, 20-22AWG wire For open barrel connectors, 14-18 AWG wire
LE-202B	For computer pins & sockets, D-sub 26-28 AWG wire For butt-insulated connectors 22-26 AWG wire For telephone piercing spade lugs, 22-26AWG wire For open barrel connectors, 20-22AWG wire For open barrel connectors, 14-18 AWG wire For non-insulated terminals, 10-14 16-18 and 20-22 AWG wire

LE-202A



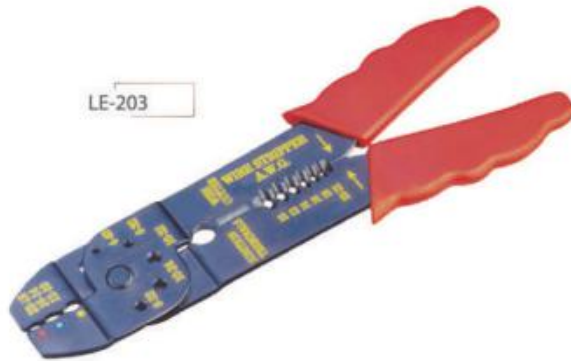
LE-202B



- Size: 8"(203mm)

S/N	Terminal Crimping Tools		
LE-203	AWG	STRANDED	12 14 16 18 20 22 10 12 14 16 18 20
	MM		2.6 2.0 1.6 1.3 1.0 0.8
	AWG		22-18/16-14/12-10
	DIN mm <sup>2</sup>		0.5-1.0/1.5-2.5/4-6

LE-203



- Crimper made of carbon steel and hardened
- Size: 9"(229mm)

S/N	Stripping Wire Size	
LE-204	AWG	20 18 16 14 12 10
	MM	0.75 0.9 1.25 2.0 3.5 5.5
	AWG	20-18 14-16 12-10
	DIN mm <sup>2</sup>	1.5 2.5 6
	JIS mm <sup>2</sup>	1.25 2 5.5

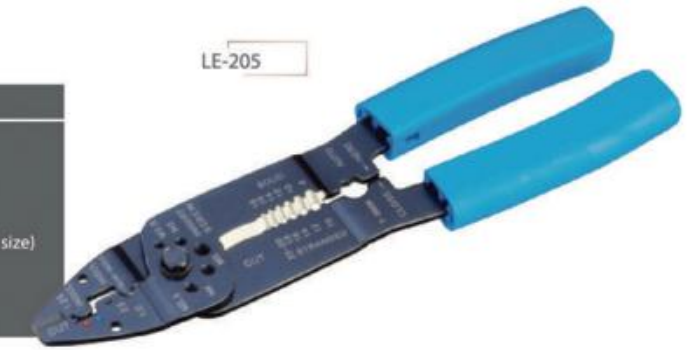
LE-204



- 8.3"for all functions precise crimping tool
- Mt'1: 3.2mm middle carbon steel
- CNC grinding
- Size: 7.9"(200mm)

S/N	Multi Purpose Tool 8 Functions In 1
LE-205	Cutting solid wire 2. Crimping ins, terminals 10-22AWG 6-0.5mm <sup>2</sup> Crimping non-ins, terminals 10-22AWG wire looping 3mm wire Cutting bolt4~40,6~32,8~32,10~24,10~32( inch size) Cutting Cu,A1 soft wire Stripping 22~10 AWG wire Crimping ignition terminals

LE-205



LE-208M



- Steel frame, harden black oxide finished light weight & durable
- Deluxe type, w/guide for operation
- An additional locker for storage after work
- Size: 7.9"(200mm)

S/N	For Crimping Modular Plug
LE-208M	8P8C/RJ-45 (Available for stripping round cable)

- Size: 7.9"(200mm)

S/N	For Crimping Modular Plug
LE-210C	8P8C/RJ-45
LE-210N	(Available for stripping round cable)

LE-210C



LE-210N



LE-213



- Size: 6.9"(175mm)

S/N	Description
LE-213	For crimping D-sub AWG: 20-24-28





LE-218M

Size: 7.1"(180mm)

S/N	For Crimping Modular Plug
LE-218M	8P8C/RJ-45



LE-236-8P

LE-236Q1

Size: 8.7"(220mm)

S/N	For Crimping Modular Plug
LE-236-8P	FOR 8P8C/RJ45
LE-236Q1	HIROSE 8P8C/RJ45 SHIELDED PLUGS(Old item no TL336Q)

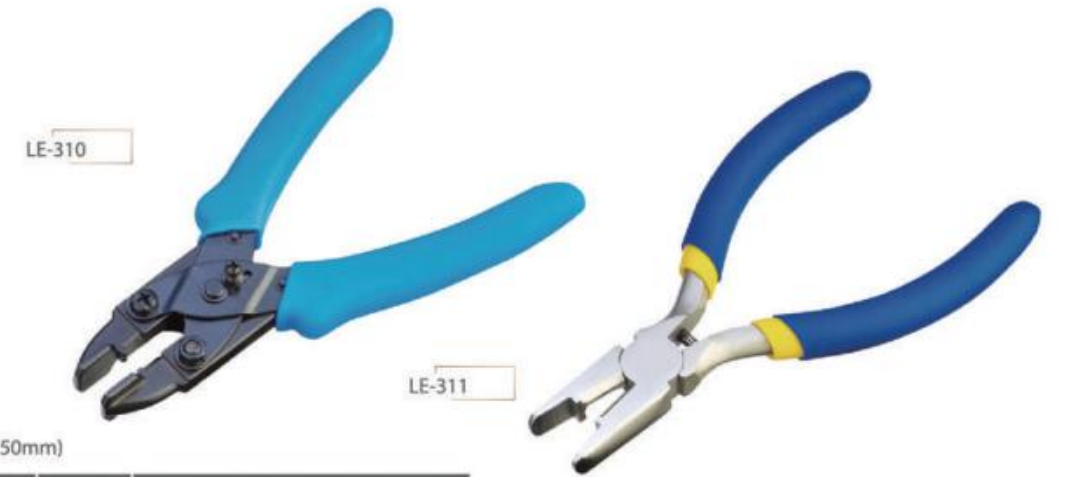


LE-246

LE-268

Size: 8"(203mm)

S/N	For Crimping Modular Plug
LE-246	6PC/RJ-12,6P4C/R-11,6P2C,4P4C & 4P2C PLUG
LE-268	8P8C/RJ-45,6P6C/RJ-12,6P4CRJ-11 & 6P2C PLUG



LE-310

LE-311

Size: 5.9"(150mm)

S/N	AWG	Crimping Size
LE-310 (Deluxe Type)	AWG	19-26(UR) 22-26(UY) 19-26(UG)
LE-311 (Economic Type)		



LE-315

Size: 7.7"(195mm)

S/N	For Crimping Modular Plug
LE-315	8P8C/RJ-45,6P6C/RJ-12,6P4C/RJ-11 & 6P2C,4P4C & 4P2C



LE-330A

LE-206

Size: 8.7"(220mm)

S/N	For cutting
LE-206	6.5"L cuts wire O Dup to 0.41(10.5mm)
LE-330A	8.7"L cuts wire O Dup to 0.75"(19.1mm)



Size: 8"(203mm)

S/N	For Crimping Modular Plug
LE-468S	8P8C/RJ-45,6P6C/RJ-12,6P4C/RJ-11 & 6P2C 4P4C & 4P2C



LE-468S

- Straight motion professional type, provide precise operation with key way in & P modular holder.
- Modular holders are made of AL-ZN Alloy light weight & durable
- Suitable for both stranded & solid wire (UTP/STP)
- Size: 8"(203mm)

S/N	For Crimping Modular Plug	Ratchet
LE-500R	Same as LE-500, but w/ratchet	Yes



LE-500R

- Works on F type RG-59(4C) & Rg-6(5C) compression connectors
- Size: 9.3"(266mm)

S/N	For Crimping Modular Plug
LE-507	RG-59(4C), Rg-6(5C)



LE-507

Size: 8.5"(216mm)

S/N	For Crimping Modular Plug	Compressed Distance
LE-508	RG-59(4C), RG-6(5C)	20.30±0.15mm



LE-508

Size: 5.6"(143mm)

S/N	For Crimping Modular Plug	Compressed Distance
LE-518A	RG-59(4C), RG-6(5C)	20.30±0.15mm
LE-518B		



LE-518A



LE-518B



LE-H518E



LE-H518F

Size: 5.9"(150mm)

S/N	Compressed Distance For F Connector	Compressed Distance For BNC Connector	Compressed distance For RCA connector
LE-H518E	20.30±0.20mm	32.8±0.20mm	33.1±0.20mm
LE-H518F			



LE-864



LE-866

- Crimper made of carbon steel and hardened
- Size: 6.9"(175mm)

S/N	Stripping Wire Size
LE-864	AWG 20-18 16-14
LE-866	DIN mm <sup>2</sup> 1.5 2.5





LE-808

Size: 7.9"(200mm)

S/N	For Crimping Modular Plug
LE-808	8P8C/RJ-45

Size: 6.8"(165mm)

S/N	Description
LE-2081	For cable tie thickness up to 2.3mm Frame made by steel, harden & black oxide finished



LE-2081

Size: 8.5"(215mm)

S/N	For Crimping Modular Plug	Ratchet
LE-2810R	8P8C/RJ-45, 6P6C/RJ-12, 6P4C/RJ-11, RJ45(CAT6 8P8C)-AMP	Yes



LE-2810R

Size: 8.1"(206mm)

S/N	For Crimping Modular Plug	Compressed Distance
LE-5080R	RG-58/59/62/6(3C/4C/5C)	18.0~22.0



LE-5080R

For crimping F/BNC/RCA Rg-58/59/62/6(3C/4C/5C) type compression

Size: 8.1"(206mm)

S/N	Compressed Distance For F Connector	Compressed Distance For BNC Connector	Compressed distance For RCA connector
LE-5081R	15.8~25.8mm	28.2~38.2mm	28.2~38.2mm



LE-5081R

LE-5082R



For crimping F/BNC/RCA Rg-58/59/62/6(3C/4C/5C) type compression

Size: 9.1"(231mm)

S/N	Compressed Distance For F Connector	Compressed Distance For BNC Connector	Compressed distance For RCA connector
LE-5082R	20.8±0.2mm	33.2±0.20mm	33.2±0.20mm

LE-5088R



- Simplifies the termination process
- Terminates and cuts all 8 conductors at once
- Simplifies lacing process and speeds up termination
- Change the cable manager can be used for 180 and 90 degree modular jack



LE-8086R

- For cutting/Stripping/Crimping 2 types of plugs in tool
- Size: 8"(203mm)

S/N	For Crimping Modular Plug
LE-8086R	8P8C/RJ-45, 6P6C/RJ-12, 6P4C/RJ-11 & 6P2C



Frame made of steel with cushion handles for comfortable operation

Size: 8.3"(210mm)

S/N	Crimping Insulated Terminal Size	
LE-8164	AWG	10 8 6
	DIN mm <sup>2</sup>	6 10 16
	JIS mm <sup>2</sup>	5.5 8 14



LE-8164

LE-N568



Deluxe type, frame is made of steel, light weight, compact durable w/key way in & P modular holder

Size: 7.3"(185mm)

S/N	For Crimping Modular Plug	Ratchet
LE-N568	8P8C/RJ-45,6P6C/RJ-12,6P4C/RJ-11	No
LE-N568R	with round cable stripper	Yes



LE-N568R

LE-N5684A



Economic type frame is made of plastic and steel. Light weight, w/key way in 8P modular holder

Cut and strip wire by one operation, easy and efficient

With UTP/STP round cable stripper

4P crimping on the back side of the tool

Size: 6.5"(165mm)

S/N	For Crimping Modular Plug
LE-N5684A	8P8C/RJ-45,6P6C/RJ-12,6P4C/RJ-11,4P4C & 4P2C

LE-N5684



Deluxe type, frame is made of steel, light weight, compact durable w/key way in & P modular holder

Cut and strip wire by one operation, easy and efficient

With round cable stripper

4P crimping on the back side of the tool

Size: 7.3"(185mm)

S/N	For Crimping Modular Plug	Ratchet
LE-N5684	8P8C/RJ-45,6P6C/RJ-12,6P4C/RJ-11,4P4C & 4P2C PLUGS	No
LE-N5684R		Yes

LE-N5684R



Sharp SK-2 blade for cutter and stripper can be replaced

Body made of ABS and fiber glass

Size: 4.8"(122mm)

S/N	Description
LE-S501A	For: wire(UTP/STP) or wire and multi conductor cable from 3.2mm-9mm max Irregular out-shape insulation can be put into the front "V" and "U" guide, rotate the tool 1-3 times by index finger for stripping the outer insulations easily.
LE-S501B	Same as LE-S501A with an additional adjustable knob for fitting different cable sizes

LE-S501A



LE-S501B



LE-H548A



Size: 6.8"(175mm)

S/N	For Crimping F Connector	Compressed Distance
LE-H548A	RG-59/6	15.5~21.3mm
	RG-11	30.5~36.0mm



Size: 8.5"(215mm)

S/N	For Crimping Modular Plug	Ratchet
LE-2008ACR	8P8C/RJ-45,6P6C/RJ-12,6P4C/RJ-11, 4P4C & 4P2C PLUGS & DEC/OFF SET PLUG-6P6C with cable tester	Yes

LE-2008ACR



- Straight motion & professional type, provide precise operation with key way in 8P modular holder
- Modular holders are made of AL-ZN.Alloy light weight & durable
- Suitable for both stranded & solid wire(UTP/STP)
- Size: 7.9"(200mm)

S/N	For Crimping Modular Plug	Ratchet
LE-500ACR	8P8C/RJ-45,6P6C/RJ-12,6P4C/RJ-11 PLUGS with cable tester	Yes

LE-500ACR



- Deluxe type,frame is made of steel,light weight,compact & durable w/key in 8P modular holder
- Cut and strip wire by one operation,easy and efficient
- With round cable stripper
- 4Pcrimper on the back side of the tool
- Size: 7.48"(190mm)

S/N	For Crimping Modular Plug	Ratchet
LE-N5684CR	8P8C/RJ-45,6P6C/RJ-12,6P4C/RJ-11, 4P4C & 4P2C PLUGS with cable tester	Yes

LE-5684CR



- Deluxe type,frame is made of steel,light weight, compact & durable w/key in 8P modular holder
- Size: 7.48"(190mm)

S/N	For Crimping Modular Plug	Ratchet
LE-N568CR	8P8C/RJ-45,6P6C/RJ-12,6P4C/RJ-11 with round cable stripper and cable tester	Yes

LE-N568CR



LE-428

- Available for RJ45(UTP/STP),and BNC modular cables



LE-448

- Available for RJ45(UTP/STP),and USB modular cables



LE-468

- Available for RJ45(UTP/STP)and RJ11 modular cables



LE-468B

- Available for RJ45(UTP/STP)and RJ11, BNC modular cables



Tools (cable tester)



LE-528  
Available for RJ45(UTP/STP)and BNC modular cables



LE-568S  
Available for RJ45(UTP/STP)and RJ11 modular cables



LE-568U  
Available for RJ45(UTP/STP)and RJ11 modular cables



LE-5248  
Available for RJ45(UTP/STP)and BNC modular cables

Tools (cable tester)



LE-628  
Available for RJ45(UTP/STP)and BNC modular cables



LE-648  
Available for RJ45(UTP/STP)and USB modular cables



LE-521  
With the verifying function of the "Scanner" it will be very fast to test the basic physical connecting feature of open and short and cable sequence status on the cables below: 1 the utp computer network cable which adopts the standard of 10 base-t EIA/TIA 568A, EIA/TIA568B, AT&T258A, Token ring; 2 the telephone cable of 2PING/4PIN; 3 other metal connecting cable



LE-668  
Available for RJ45(UTP/STP)and RJ11 modular cables

Tools (cable tester)



LE-228

Available for RJ45(UTP/STP)and RJ11 modular cables



LE-5448

Available for RJ45(UTP/STP), USB, RJ11/RJ12 BNC Coaxial, RCA and modular cables  
Operate with Auto Scan or step by step(TEST)mode



LE-521

Available for RJ45(UTP/STP), USB, RJ11/RJ12 BNC Coaxial, RCA and modular cables  
Operate with Auto Scan or step by step(TEST)mode



LE-2468

Available for RJ45(UTP/STP), USB, RJ11/RJ12 BNC Coaxial, RCA and modular cables  
Operate with Auto Scan or step by step(TEST)mode



LE-2468B

Available for RJ45(UTP/STP), USB, RJ11/RJ12 BNC Coaxial, RCA and modular cables  
Operate with Auto Scan or step by step(TEST)mode

Tools (tool kit)



S/N	LE-K315A
Crimper	315
Stripper	8501A
Pdtool	3140
Blade	14 14B
Plugs	4P4Cx30,6P6Cx30,8P8Cx30
Tester	468
Box Size	350(L)x250(W)x60(H)mm

S/N	LE-K336
Crimper	236A
Coax.Stripper	332
Cutter	206
Die Set	336C,336G,336J,336K
Box Size	300(L)x220(W)x60(H)mm



S/N	LE-K500R
Crimper	500R
Stripper	S501A
Plugs	6P6Cx30,8P8Cx30
Box Size	300(L)x220(W)x60(H)mm



Tools (tool kit)



S/N	LE-K500RP
Crimper	500R
Pdtool	3140
Blade	14 14B
Plugs	6P6Cx30,8P8Cx30
Box Size	300(L)x220(W)x60(H)mm

S/N	LE-K500RS
Crimper	500R
Stripper	S501A
Pdtool	3240
Blade	14 14B
Plugs	6P6Cx30,8P8Cx30
Box Size	300(L)x220(W)x60(H)mm



S/N	LE-K508
Crimper	508
Coax.Stripper	7501A
Cutter	206
Connector	Fx30PCS
Box Size	300(L)x220(W)x60(H)mm



Tools (tool kit)



S/N	LE-K518F1
Crimper	518F1
Coax.Stripper	7501A
Cutter	206
Connector	Fx10PCS,BNC*10PCS,RCAx10PCS
Box Size	300(L)x220(W)x60(H)mm

S/N	LE-K568RT
Crimper	568R
Stripper	S501A
Plugs	6P6Cx30,8P8Cx30
Others	Tester
Box Size	300(L)x220(W)x60(H)mm



S/N	LE-K4015
Crimper	236A 2008R
Cutter	206
Stripper	5021 S501A
Pdtool	3140
Blade	14B
Coax.Stripper	332
Die Set	336C,336G,336J,336K
Others	Tester screw driver
Box Size	350(L)x250(W)x60(H) mm

Tools (tool kit)

Tools (tool kit)



S/N	LE-K5082R
Crimper	5082R
Coax.Stripper	7501A
Cutter	206
Connector	Fx10PCS BNCx10PCS RCAx10PCS
Box Size	300(L)x220(W)x60(H)mm



S/N	LE-KH510B
Crimper	H510B
Coax.Stripper	7501A
Cutter	206
Connector	Fx10PCS,BNC*10PCS,RCAx10PCS
Box Size	300(L)x220(W)x60(H)mm

S/N	LE-K8086R
Crimper	8086R
Stripper	7500A
Pdtool	3140
Blade	14B
Tester	468
Box Size	300(L)x220(W)x60(H)mm



S/N	LE-KH548A
Crimper	H548A
Coax.Stripper	501B
Connector	Fx30PCS
Box Size	300(L)x220(W)x60(H)mm

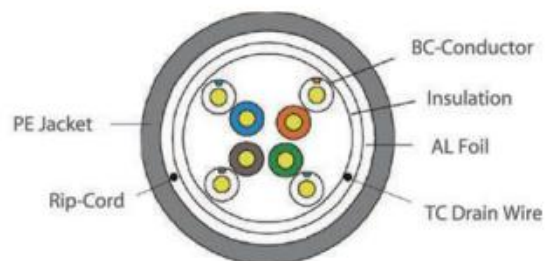
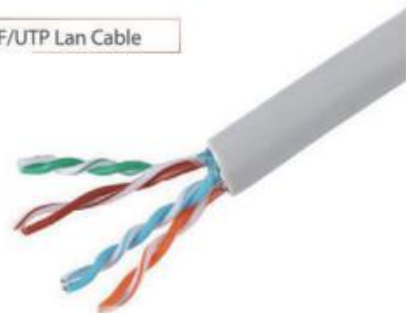


S/N	LE-K8500R
Crimper	500R
Stripper	5501B
Pdtool	3140
Blade	14B
Plugs	8P8Cx30
Tester	668
Box Size	300(L)x220(W)x60(H)mm



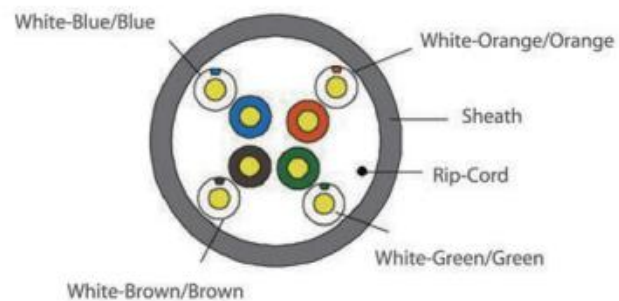
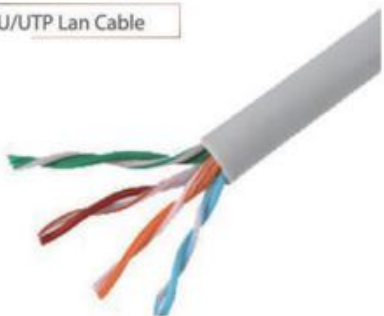
### Lan Cable

Cat 5E F/UTP Lan Cable



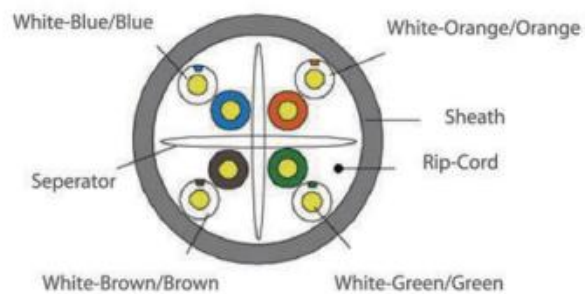
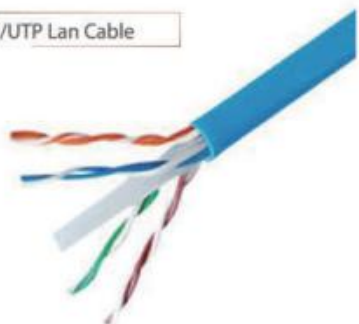
S/N	LE-F/UTP5E305PVC
Description	4 Pairs Cat 5E F/UTP 24 AWG LAN Cable PVC Jacket
Sheath Option	PVC,PE,LSZH
Conductor Material Option	CCA,CU
Packing Length	305±1.5m/box

Cat 5E U/UTP Lan Cable



S/N	LE-U/UTP5E305PVC
Description	4 Pairs Cat 5E U/UTP 24 AWG LAN Cable PVC Jacket
Sheath Option	PVC,PE,LSZH
Conductor Material Option	CCA,CU
Packing Length	305±1.5m/box

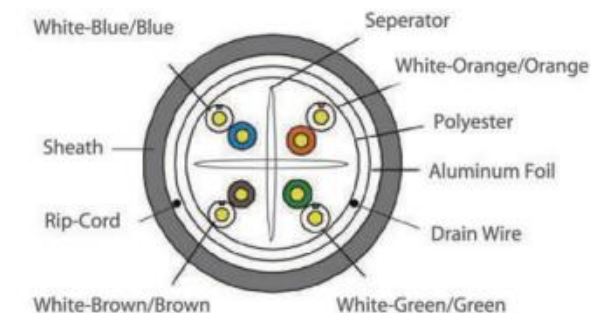
Cat 6 U/UTP Lan Cable



S/N	LE-U/UTP6305PVC
Description	4 Pairs Cat 6 U/UTP 23 AWG LAN Cable PVC Jacket
Sheath Option	PVC,PE,LSZH
Conductor Material Option	CCA,CU
Packing Length	305±1.5m/box

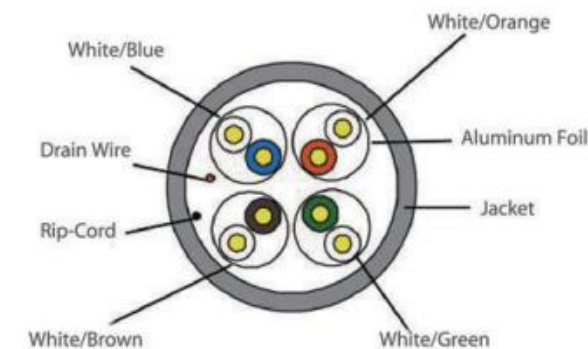
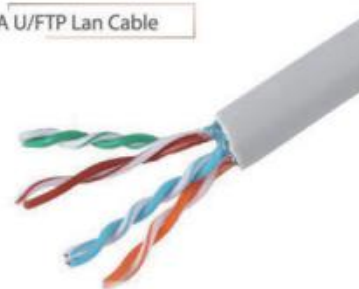
### Lan Cable

Cat 6 F/UTP Lan Cable



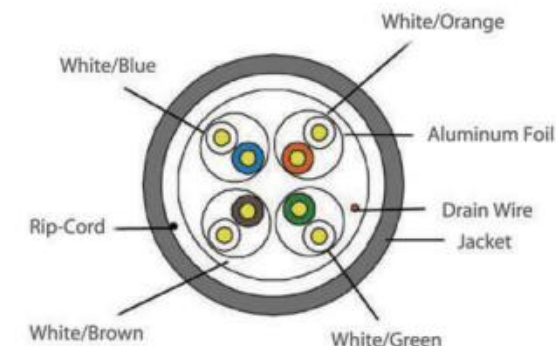
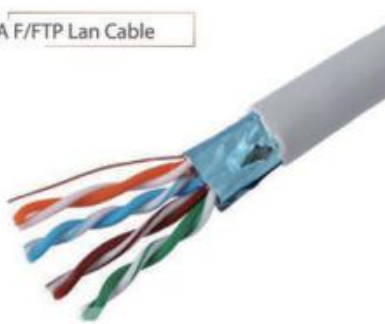
S/N	LE-F/UTP6305PVC
Description	4 Pairs Cat 6 F/UTP 23 AWG LAN Cable PVC Jacket
Sheath Option	PVC,PE,LSZH
Conductor Material Option	CCA,CU
Packing Length	305±1.5m/box

Cat 6A U/FTP Lan Cable



S/N	LE-U/FTP6A305PVC
Description	4 Pairs Cat 6A U/FTP 24 AWG LAN Cable PVC Jacket
Sheath Option	PVC,PE,LSZH
Conductor Material Option	CU
Packing Length	305±1.5m/box

Cat 6A F/FTP Lan Cable



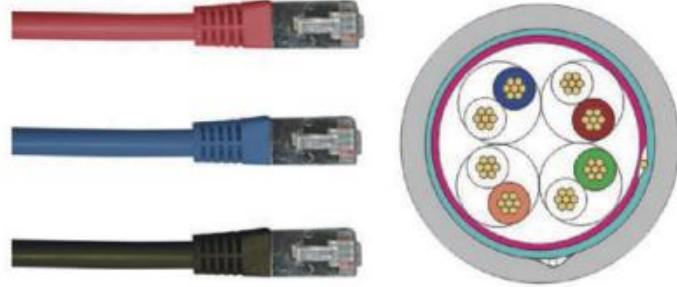
S/N	LE-F/FTP6A305PVC
Description	4 Pairs Cat 6A F/FTP 23 AWG LAN Cable PVC Jacket
Sheath Option	PVC,LSZH
Conductor Material Option	CU
Packing Length	305±1.5m/box



## Patch Cord

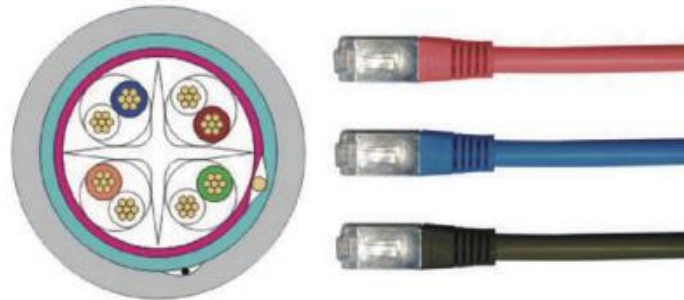
### FTP 5E PVC

- Electrical performance guaranteed to meet or exceed ANSI/TIA-568B CAT5E and ISO/EIC specifications
- Independently tested and verified intertek(ETL)
- Can support network line speeds in excess of 1 gigabit per second
- Ideal for Data center architectural requirements
- Stranded cable for maximum flexibility
- Available with different plug mold
- Available with different color of cable
- Available with different length



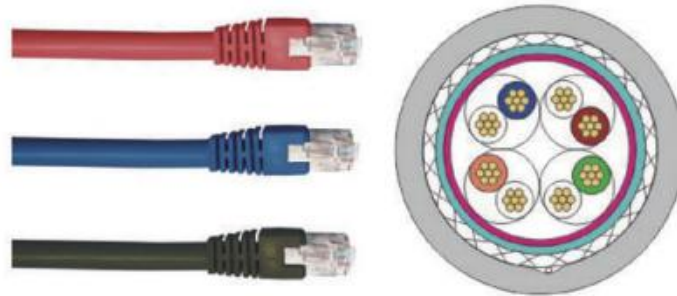
### FTP 6 PVC

- Electrical performance guaranteed to meet or exceed ANSI/TIA-568B CAT6 and ISO/EIC specifications
- Independently tested and verified intertek(ETL)
- Can support network line speeds in excess of 1 gigabit per second
- Ideal for Data center architectural requirements
- Stranded cable for maximum flexibility
- Available with different plug mold
- Available with different color of cable
- Available with different length



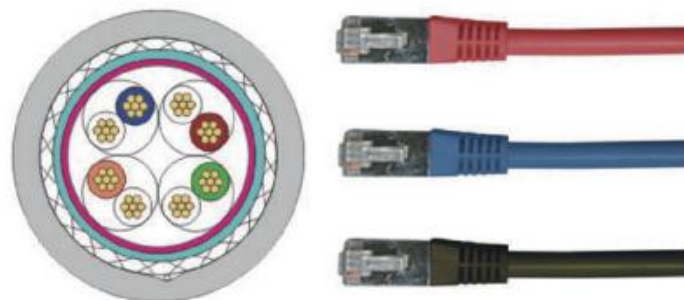
### S/FTP 6A PVC

- Electrical performance guaranteed to meet or exceed ANSI/TIA-568B CAT6A and ISO/EIC specifications
- Independently tested and verified intertek(ETL)
- Can support network line speeds in excess of 1 gigabit per second
- Ideal for Data center architectural requirements
- Stranded cable for maximum flexibility
- Available with different plug mold
- Available with different color of cable
- Available with different length



### S/FTP 5E PVC

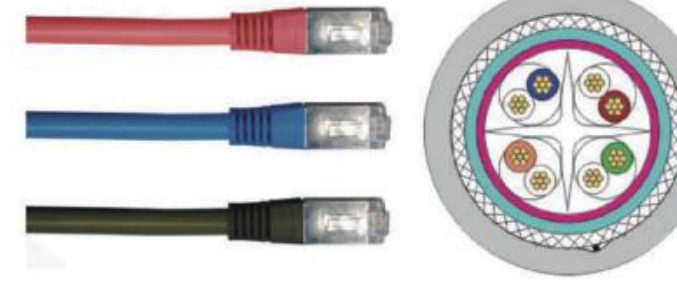
- Electrical performance guaranteed to meet or exceed ANSI/TIA-568B CAT5E and ISO/EIC specifications
- Independently tested and verified intertek(ETL)
- Can support network line speeds in excess of 1 gigabit per second
- Ideal for Data center architectural requirements
- Stranded cable for maximum flexibility
- Available with different plug mold
- Available with different color of cable
- Available with different length



## Patch Cord

### S/FTP 6 PVC

- Electrical performance guaranteed to meet or exceed ANSI/TIA-568B CAT6 and ISO/EIC specifications
- Independently tested and verified intertek(ETL)
- Can support network line speeds in excess of 1 gigabit per second
- Ideal for Data center architectural requirements
- Stranded cable for maximum flexibility
- Available with different plug mold
- Available with different color of cable
- Available with different length



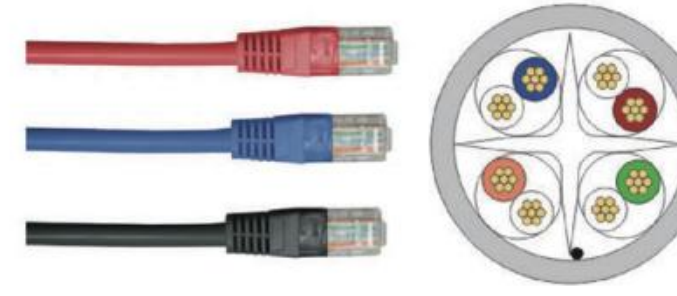
### UTP 5E PVC

- Electrical performance guaranteed to meet or exceed ANSI/TIA-568B CAT5E and ISO/EIC specifications
- Independently tested and verified intertek(ETL)
- Can support network line speeds in excess of 1 gigabit per second
- Ideal for Data center architectural requirements
- Stranded cable for maximum flexibility
- Available with different plug mold
- Available with different color of cable
- Available with different length



### UTP 6 PVC

- Electrical performance guaranteed to meet or exceed ANSI/TIA-568B CAT6 and ISO/EIC specifications
- Independently tested and verified intertek(ETL)
- Can support network line speeds in excess of 1 gigabit per second
- Ideal for Data center architectural requirements
- Stranded cable for maximum flexibility
- Available with different plug mold
- Available with different color of cable
- Available with different length







S/N : LE-HDMI-001  
HDMI nylon braid male to HDMI male cables  
G:gold N:nickle



S/N : LE-HDMI-002  
HDMI nylon braid male to HDMI male cables  
G:gold N:nickle



S/N : LE-HDMI-003  
HDMI nylon braid male to HDMI male cables  
G:gold N:nickle



S/N : LE-HDMI-004  
HDMI nylon braid male to HDMI male cables  
G:gold N:nickle



S/N : LE-HDMI-005  
HDMI nylon braid male to HDMI male cables  
G:gold N:nickle



S/N : LE-HDMI-006  
HDMI nylon braid male to HDMI male cables  
G:gold N:nickle



S/N : LE-HDMI-007  
HDMI nylon braid male to HDMI male cables  
G:gold N:nickle



S/N : LE-HDMI-008  
HDMI nylon braid male to HDMI male cables  
G:gold N:nickle



S/N : LE-HDMI-009  
HDMI nylon flat braid male to HDMI male cables  
G:gold N:nickle



S/N : LE-HDMI-010  
HDMI nylon flat braid male to HDMI nylon male cables  
G:gold N:nickle



S/N : LE-HDMI-011  
HDMI male to HDMI male cables  
G:gold N:nickle



S/N : LE-HDMI-012  
HDMI male to HDMI female  
G:gold N:nickle



S/N : LE-HDMI-013  
HDMI male to HDMI female  
G:gold N:nickle



S/N : LE-HDMI-014  
HDMI male to HDMI male cables  
G:gold N:nickle



S/N : LE-HDMI-015  
HDMI male to HDMI male  
G:gold N:nickle



S/N : LE-HDMI-016  
HDMI braid male to HDMI male cables  
G:gold N:nickle



S/N : LE-HDMI-017  
HDMI male to mini HDMI



S/N : LE-HDMI-018  
HDMI male to mini HDMI



S/N : LE-HDMI-019  
HDMI male to HDMI male cables  
G:gold N:nickle



S/N : LE-HDMI-020  
HDMI male to HDMI male with magnet ring



S/N : LE-HDMI-021  
HDMI male to micro HDMI male cables  
G:gold N:nickle



S/N : LE-HDMI-022  
Mini HDMI male to 3RCA cable  
G:gold N:nickle



S/N : LE-HDMI-023  
Mini HDMI male to VGA 15Pin+3RCA  
G:gold N:nickle



S/N : LE-HDMI-024  
HDMI male to 5RCA cable  
G:gold N:nickle



S/N : LE-HDMI-025  
HDMI male to 5RCA cables  
G:gold N:nickle



S/N : LE-HDMI-026  
Mini HDMI male to 3RCA cable  
G:gold N:nickle



S/N : LE-HDMI-027  
HDMI male to HDMI cable 90° angle  
G:gold N:nickle



S/N : LE-HDMI-028  
HDMI 90° angle to HDMI cable 90° angle  
G:gold N:nickle



S/N : LE-HDMI-029  
HDMI male 360° angle to HDMI male 360° angle cable  
G:gold N:nickle



S/N : LE-HDMI-030  
Micro HDMI to micro USB female  
G:gold N:nickle





S/N : LE-HDMI-031  
HDMI male to HDMI male cables  
G:gold N:nickle



S/N : LE-HDMI-032  
HDMI male to HDMI male cables 90° angle type  
G:gold N:nickle



S/N : LE-HDMI-033  
HDMI male to HDMI male cables  
G:gold N:nickle



S/N : LE-HDMI-034  
HDMI male to HDMI male cables 90° angle type  
G:gold N:nickle



S/N : LE-HDMI-035  
HDMI male to HDMI female  
G:gold N:nickle



S/N : LE-HDMI-036  
HDMI male to 3 HDMI female  
G:gold N:nickle



S/N : LE-HDMI-037  
HDMI male converter to VGA male to audio  
G:gold N:nickle



S/N : LE-HDMI-038  
HDMI female to USB  
G:gold N:nickle



S/N : LE-HDMI-039  
Mini HDMI male to VGA  
G:gold N:nickle



S/N : LE-HDMI-040  
HDMI female to DVI male  
G:gold N:nickle



S/N : LE-HDMI-041  
HDMI male to VGA male  
G:gold N:nickle



S/N : LE-HDMI-042  
HDMI male to 2\* HDMI female cable  
G:gold N:nickle



S/N : LE-HDMI-043  
DVI(24+5) female to HDMI male adaptor  
G:gold N:nickle



S/N : LE-HDMI-044  
HDMI female to HDMI female adaptor  
G:gold N:nickle



S/N : LE-HDMI-045  
HDMI female to HDMI female adaptor  
G:gold N:nickle



S/N : LE-HDMI-046  
HDMI female to HDMI female adaptor  
G:gold N:nickle



S/N : LE-HDMI-047  
HDMI female to HDMI female adaptor  
G:gold N:nickle



S/N : LE-HDMI-048  
HDMI female to HDMI female adaptor  
G:gold N:nickle



S/N : LE-HDMI-049  
HDMI female to HDMI female adaptor 90° angle type  
G:gold N:nickle



S/N : LE-HDMI-050  
HDMI male to HDMI female adaptor  
G:gold N:nickle



S/N : LE-HDMI-051  
HDMI male to HDMI female adaptor  
G:gold N:nickle



S/N : LE-HDMI-052  
HDMI male to HDMI female adaptor 90° angle type  
G:gold N:nickle



S/N : LE-HDMI-053  
HDMI male to HDMI female adaptor 90° angle type  
G:gold N:nickle



S/N : LE-HDMI-054  
HDMI male to HDMI female adaptor 90° angle type  
G:gold N:nickle



S/N : LE-HDMI-055  
HDMI female to HDMI male adaptor  
G:gold N:nickle



S/N : LE-HDMI-056  
HDMI female to mini HDMI male adaptor  
G:gold N:nickle



S/N : LE-HDMI-057  
HDMI female to mini HDMI male adaptor  
G:gold N:nickle



S/N : LE-HDMI-058  
HDMI female to micro HDMI male adaptor  
G:gold N:nickle



S/N : LE-HDMI-059  
HDMI female to HDMI female adaptor rotating 360°  
G:gold N:nickle



S/N : LE-HDMI-060  
DVI(24+1) male to HDMI female adaptor  
G:gold N:nickle